



US00D571975S

(12) **United States Design Patent**  
**Sauder et al.**

(10) **Patent No.:** **US D571,975 S**  
(45) **Date of Patent:** **\*\* Jun. 24, 2008**

(54) **BIER**  
(75) Inventors: **Myrl D. Sauder**, Archbold, OH (US);  
**Michael R. Morgan**, West Unity, OH  
(US); **Steve S. Robison**, West Unity, OH  
(US); **Toni L. Britton**, Wauseon, OH  
(US)

(73) Assignee: **Sauder Woodworking Co.**, Archbold,  
OH (US)

(\*\*) Term: **14 Years**

(21) Appl. No.: **29/289,353**

(22) Filed: **Jul. 17, 2007**

(51) **LOC (8) Cl.** ..... **99-00**

(52) **U.S. Cl.** ..... **D99/2**

(58) **Field of Classification Search** ..... D99/1-24;  
27/14, 30; 40/606.03, 607.05; 52/141; D6/396,  
D6/449, 495

See application file for complete search history.

(56) **References Cited**

U.S. PATENT DOCUMENTS

1,492,998	A *	5/1924	Meeker	27/27
1,558,558	A *	10/1925	Metcalf	248/165
5,197,169	A	3/1993	Gordon	
5,405,017	A	4/1995	Szabo, Sr. et al.	
D359,831	S *	6/1995	Parker	D99/5
D370,374	S *	6/1996	Brunner et al.	D6/479
D370,576	S *	6/1996	Lechman et al.	D6/476
5,524,394	A	6/1996	Szabo, Sr. et al.	
D374,573	S *	10/1996	Brunner et al.	D6/479
5,586,376	A	12/1996	Enneking et al.	
5,675,876	A	10/1997	Benedict et al.	
5,709,052	A	1/1998	Szabo, Sr. et al.	
5,848,498	A	12/1998	Szabo, Sr. et al.	

D404,884	S	1/1999	Salatin et al.	
D411,461	S	6/1999	Schultz	
D418,961	S	1/2000	Biondo et al.	
6,073,320	A	6/2000	Salatin et al.	
D433,585	S	11/2000	Bowers et al.	
6,272,723	B1 *	8/2001	Rathjen	27/1
6,317,945	B1	11/2001	Laphan et al.	
6,557,222	B2	5/2003	Groemminger et al.	
6,681,510	B1	1/2004	Salatin et al.	
6,691,385	B2	2/2004	Bell et al.	
6,836,936	B1	1/2005	Biondo et al.	
6,883,212	B2	4/2005	Groemminger et al.	
6,976,294	B2	12/2005	Biondo et al.	
7,036,196	B2	5/2006	Salatin et al.	
7,159,287	B2	1/2007	Parker et al.	

\* cited by examiner

*Primary Examiner*—Cathron Brooks

*Assistant Examiner*—Michael A. Pratt

(74) *Attorney, Agent, or Firm*—MacMillan, Sobanski &  
Todd, LLC

(57) **CLAIM**

The ornamental design for a bier, as shown and described.

**DESCRIPTION**

FIG. 1 is a front perspective view of a bier according to the design;

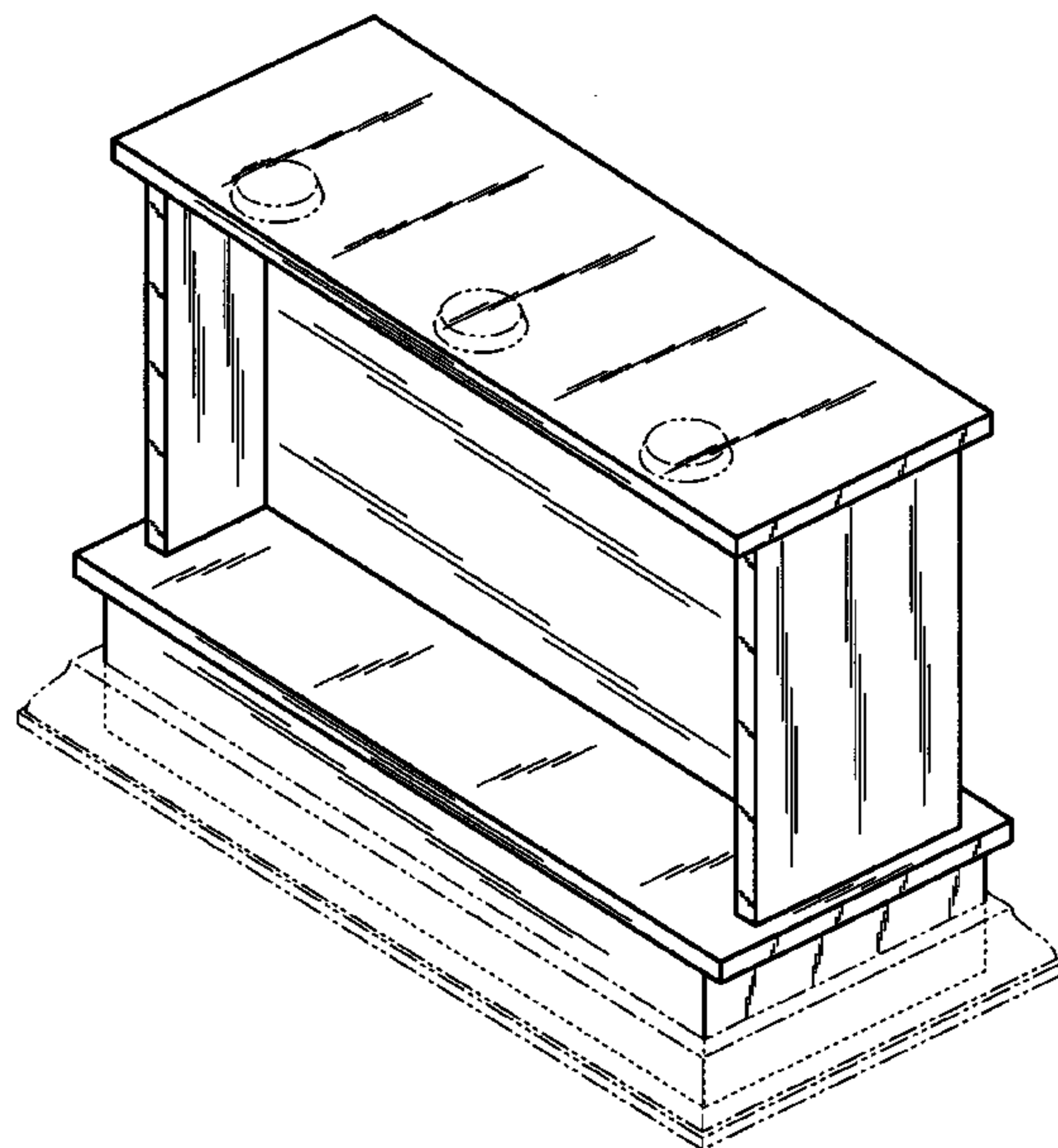
FIG. 2 is a front elevational view thereof, the back elevational view being the same;

FIG. 3 is a right side elevational view thereof, the left side elevational view being the same; and,

FIG. 4 is a top plan view thereof.

The broken lines shown in the drawings are for illustrative purposes only and form no part of the claimed design.

**1 Claim, 3 Drawing Sheets**



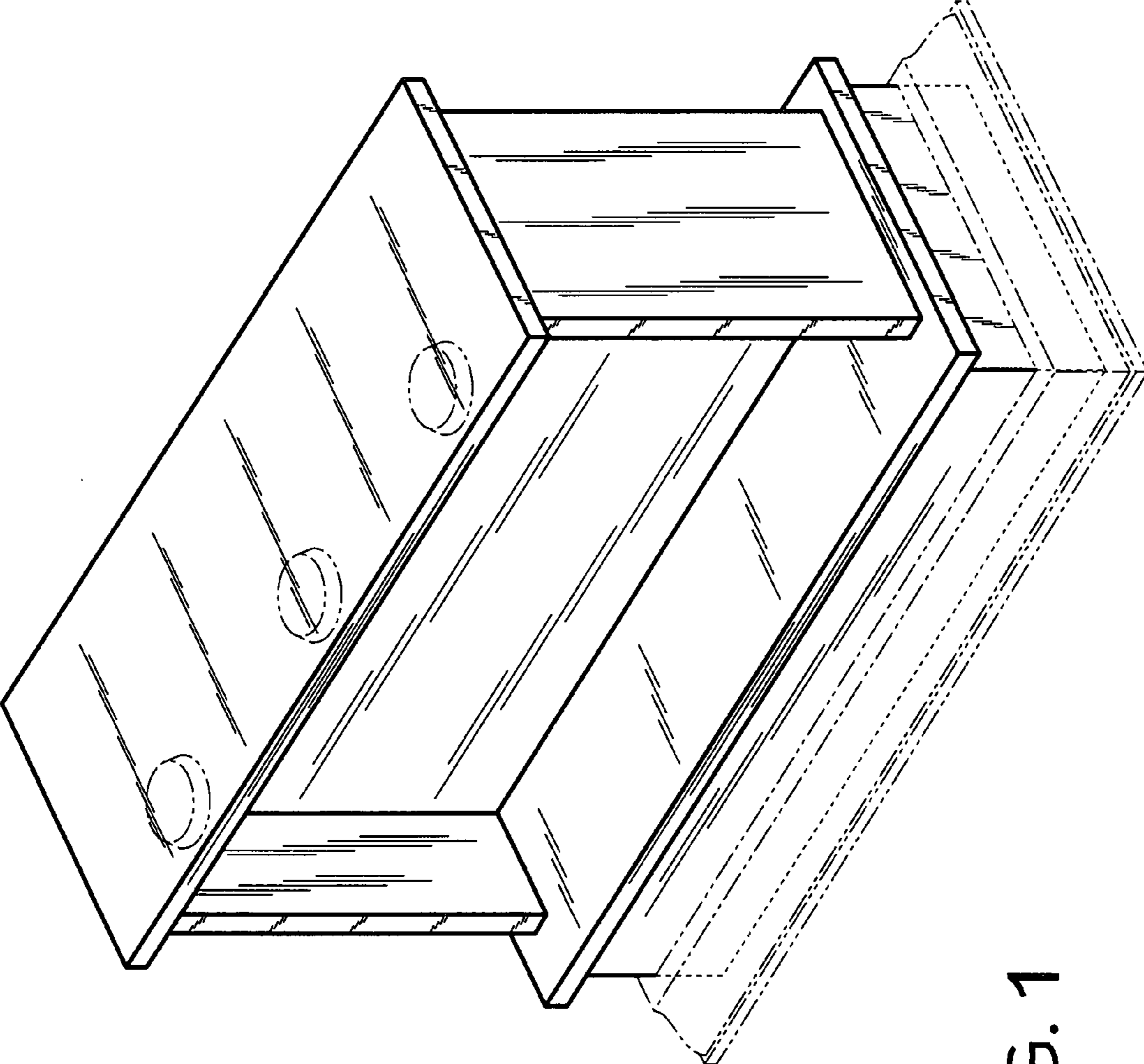


FIG. 1

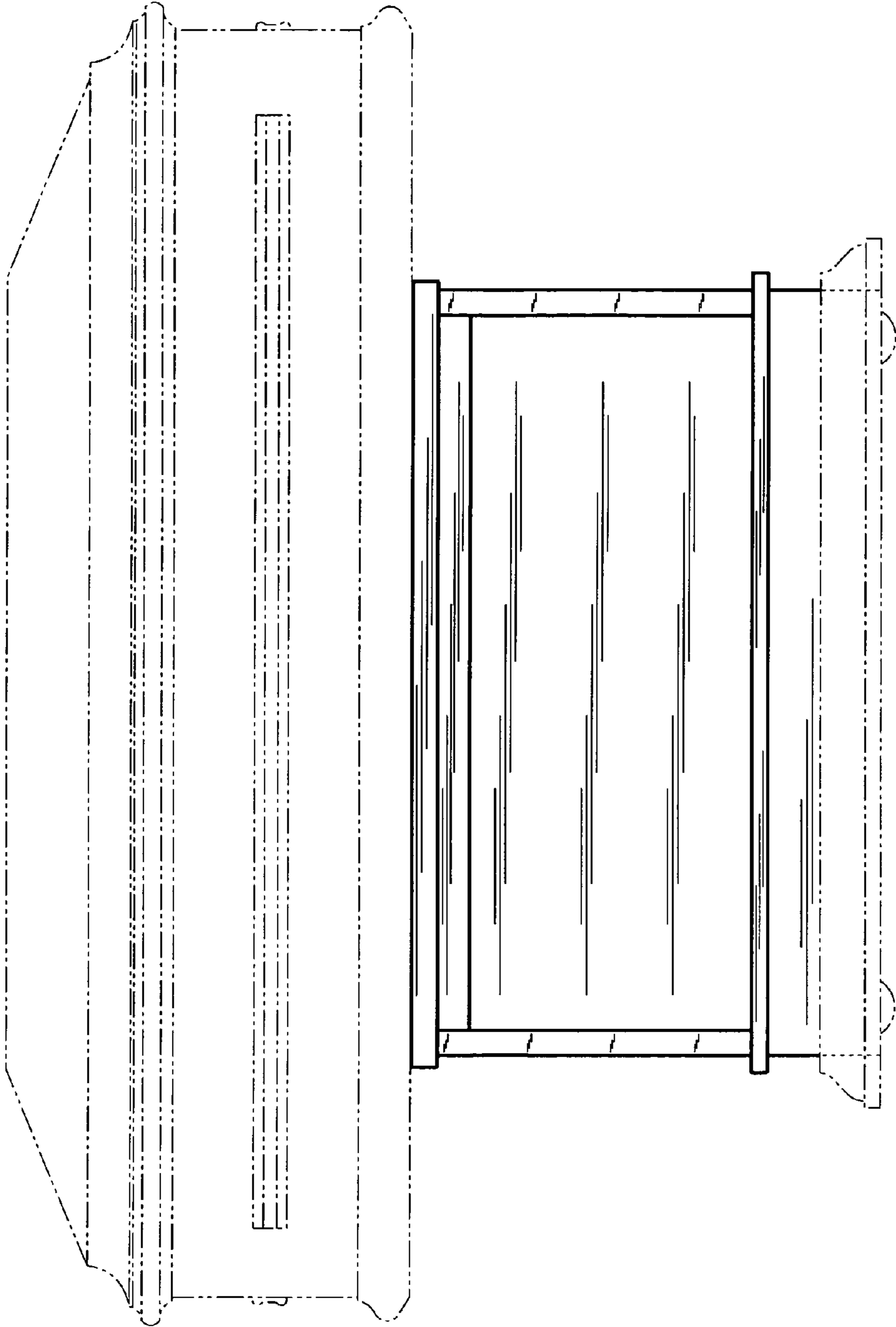


FIG. 2

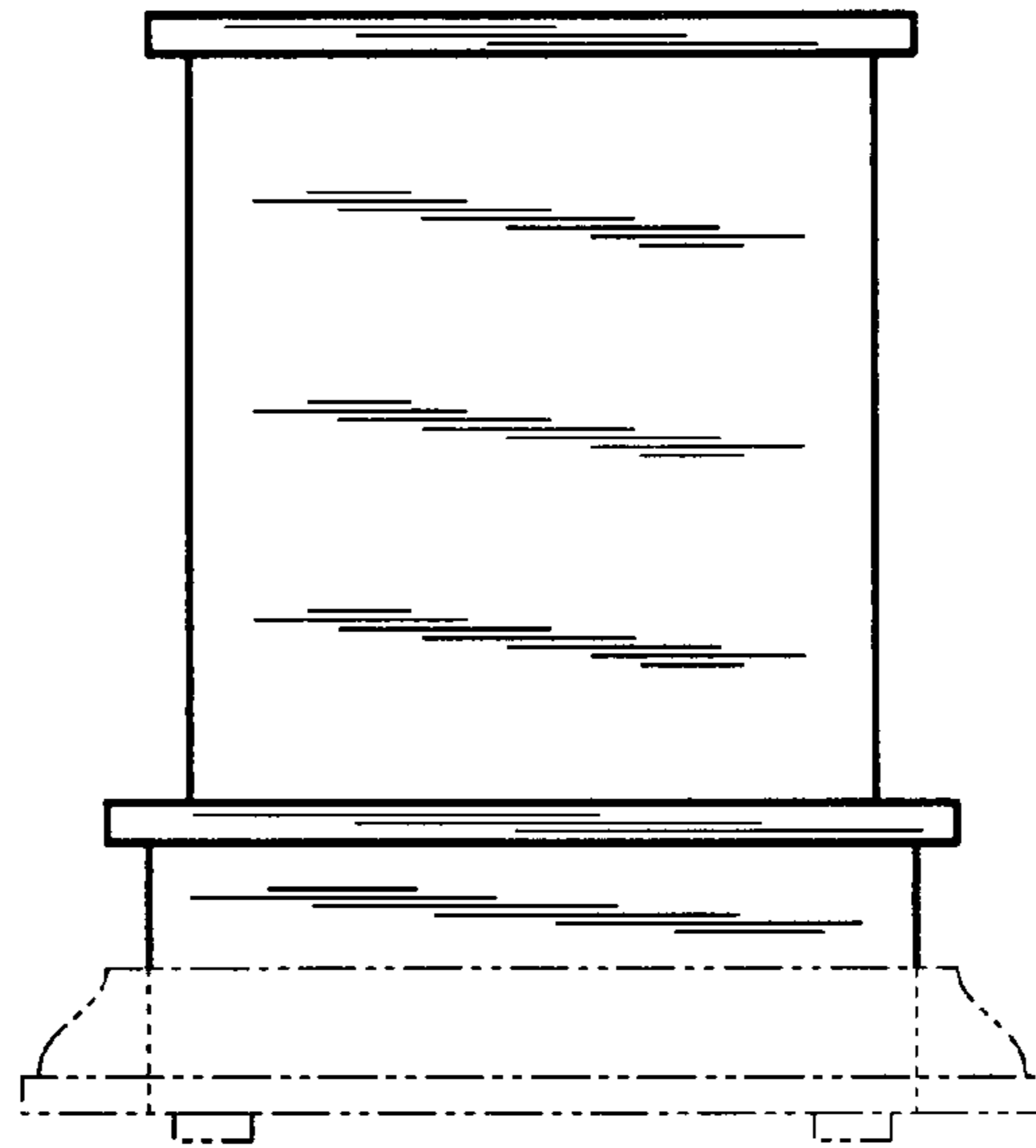


FIG. 3

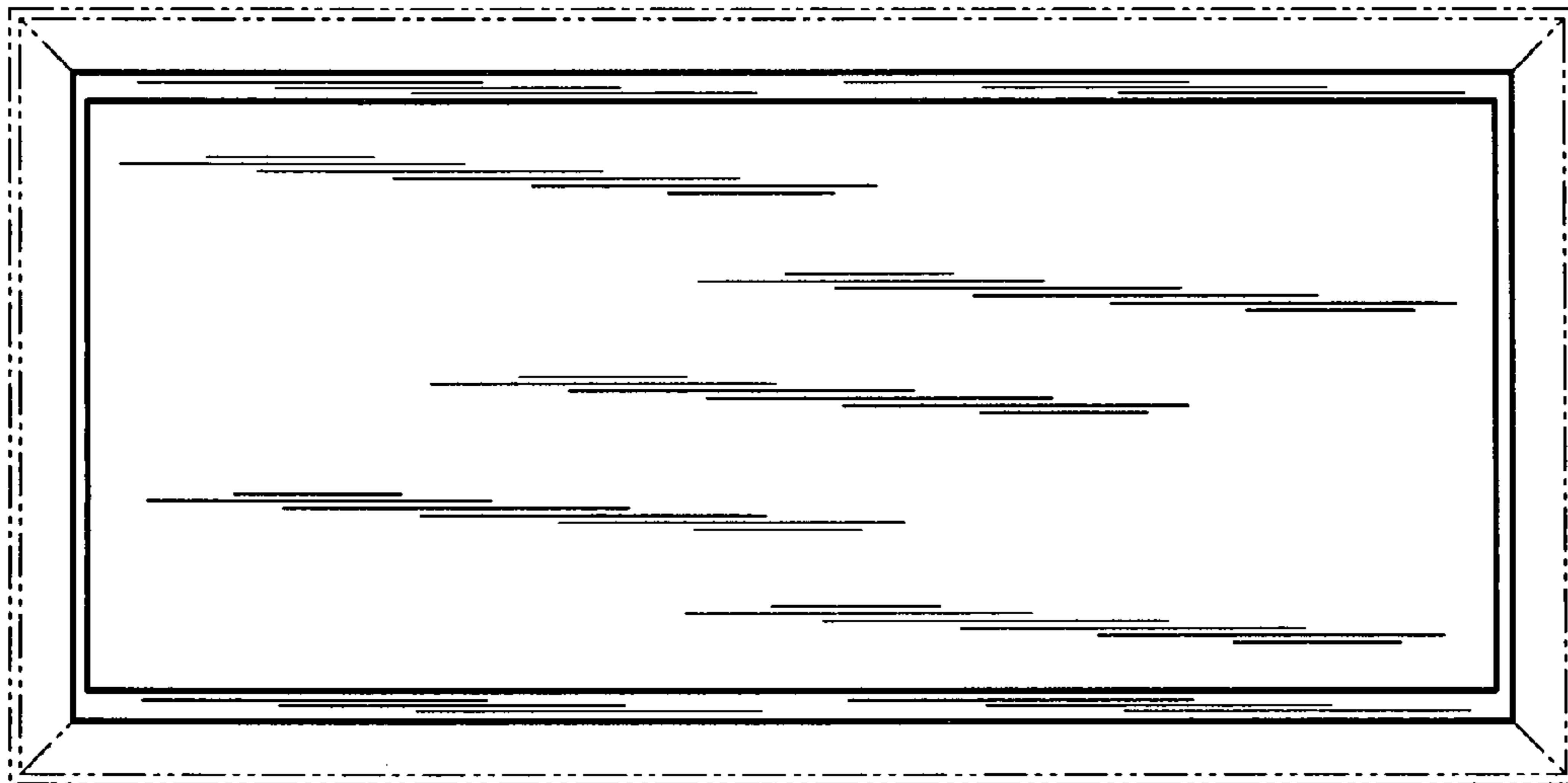


FIG. 4