



US00D571972S

(12) **United States Design Patent**  
**Galati, Jr. et al.**

(10) **Patent No.:** **US D571,972 S**  
(45) **Date of Patent:** **\*\* Jun. 24, 2008**

(54) **UTILITY CART**

(75) Inventors: **Joseph J. Galati, Jr.**, Brookfield, WI (US); **John Meyerovich**, Bal Harbour, FL (US)

(73) Assignee: **Continuum Footspas, LLC**, Brookfield, WI (US)

(\*\*) Term: **14 Years**

(21) Appl. No.: **29/291,619**

(22) Filed: **Sep. 7, 2007**

(51) **LOC (8) Cl.** ..... **12-02**

(52) **U.S. Cl.** ..... **D34/21**

(58) **Field of Classification Search** ..... D34/12-27;  
280/47.34, 47.35, 79.3, 47.26; D6/473, 476,  
D6/478, 479, 462, 463, 464, 465

See application file for complete search history.

(56) **References Cited**

**U.S. PATENT DOCUMENTS**

D339,441 S *	9/1993	Marchant et al. ....	D34/21
5,758,886 A *	6/1998	Mayer .....	280/47.26
D403,536 S *	1/1999	Olson et al. ....	D6/479
D424,267 S *	5/2000	Lin .....	D34/24
D424,772 S *	5/2000	Mullen .....	D34/17
D500,575 S *	1/2005	Lucas .....	D34/12
D505,031 S *	5/2005	Chen .....	D6/441
D505,804 S *	6/2005	Chen .....	D6/436
D553,324 S *	10/2007	Lieblein .....	D34/14

**OTHER PUBLICATIONS**

AmeriSpa web pages, printed in 2007, 6 pages (<http://www.amerispa.com/main.html>).

Belvedere Company web pages, printed in 2007, 7 pages (<http://www.belvedere.com/home.aspx>).

European Touch web pages, printed in 2007, 8 pages (<http://europeantouch.com>).

Gulstream Plastics Ltd. web pages, printed in 2007, 7 pages (<http://www.gulstreamplastic.com>).

J&A USA web pages, printed in 2007, 10 pages (<http://www.jausainc.com>).

Lexor Footspas Inc. web pages, printed in 2007, 3 pages (<http://www.lexorinc.com>).

Salon Equipment, Inc. web pages, printed in 2007, 4 pages (<http://www.oasis-se.com/spas/>).

ProSpa Inc., web pages, printed in 2007, 2 pages (<http://www.prospa1.com/>).

Salon Tech, web pages, printed in 2007, 2 pages (<http://www.salontech.com/st2007/>).

Skyline Beauty Supply Corp.—Whale Spa, web pages, printed Mar. 20, 2008, 6 pages (<http://skylinebeautysupply.com>).

VNF International, web pages, printed Mar. 20, 2008, 6 pages (<http://www.pssnell-service.com/Manufacturer.htm>).

T4 Spa Concepts & Design, web pages, printed Mar. 20, 2008, 7 pages (<http://www.t4spa.com>).

Spa Zi, Division of LC Corp., web pages, printed Mar. 20, 2008, 4 pages (<http://www.thespazi.com>).

Sanijet—Pipeless Pedicure Equipment, web pages, printed Mar. 20, 2008, 2 pages ([http://www.sanijet.com/Products\\_Pedicure.aspx](http://www.sanijet.com/Products_Pedicure.aspx)).

Aqua Spas, web pages, printed Mar. 20, 2008, 3 pages (<http://aquaspa1.com>).

Beauty Mall Ltd., web pages, printed Mar. 20, 2008, 6 pages (<http://beautymallltd.com>).

Euro Spa, web page, printed Mar. 20, 2008, 1 page (<http://www.princesspedicurespas.com/manufacture/eurospa.htm#bella320>).

\* cited by examiner

*Primary Examiner*—Cynthia E Ramirez

(74) *Attorney, Agent, or Firm*—Ryan Kromholz & Manion, S.C.

(57) **CLAIM**

The ornamental design for a utility cart, as shown and described.

**DESCRIPTION**

FIG. 1 is a perspective view of our utility cart;

FIG. 2 is a front elevation view;

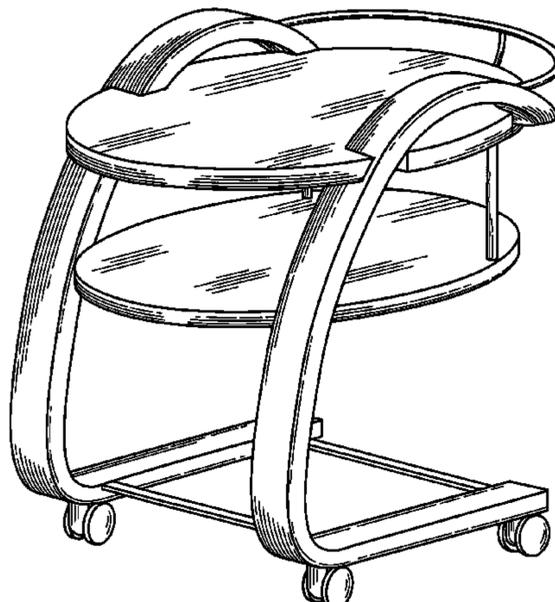
FIG. 3 is a back elevation view;

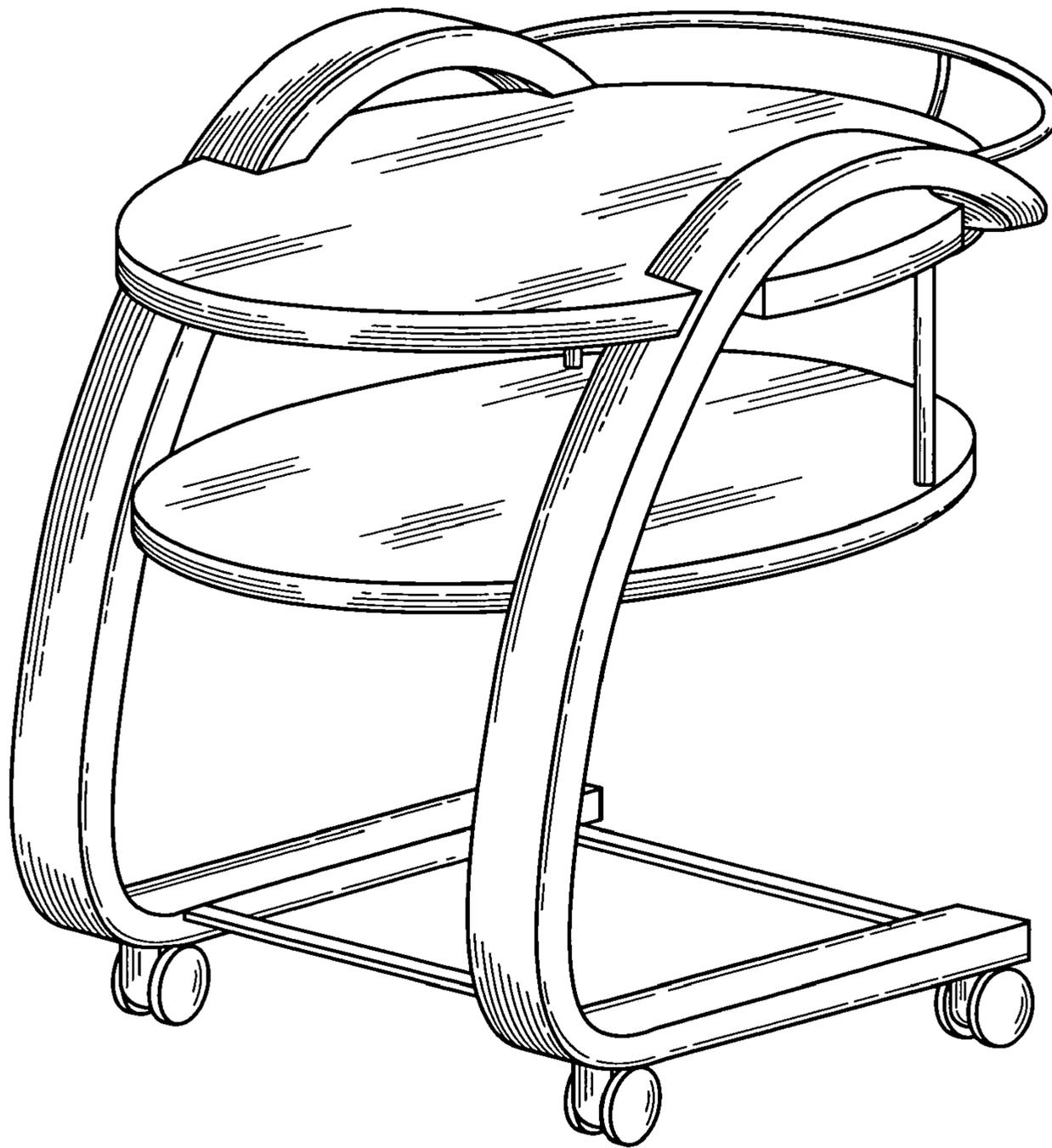
FIG. 4 is a top plan view;

FIG. 5 is a right side elevation view; and,

FIG. 6 is a left side elevation view.

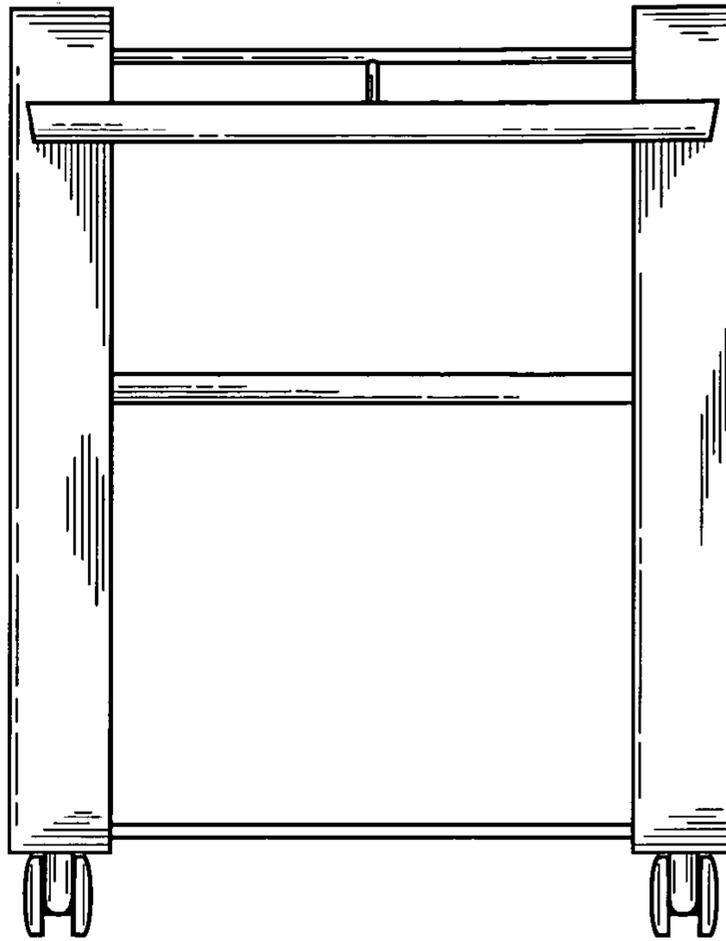
**1 Claim, 4 Drawing Sheets**



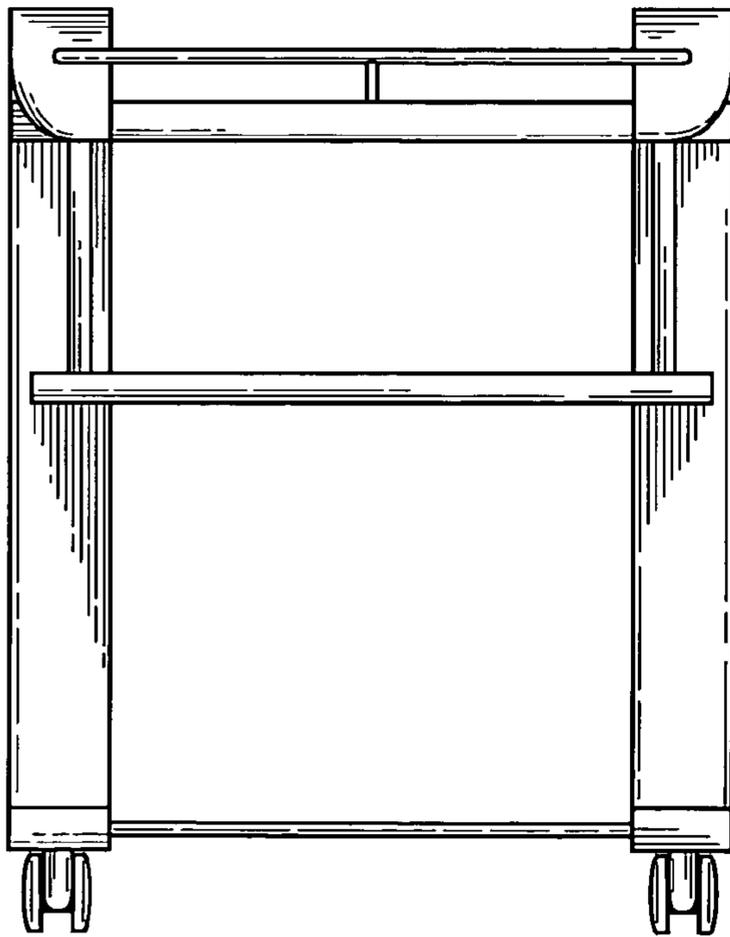


*Fig. 1*

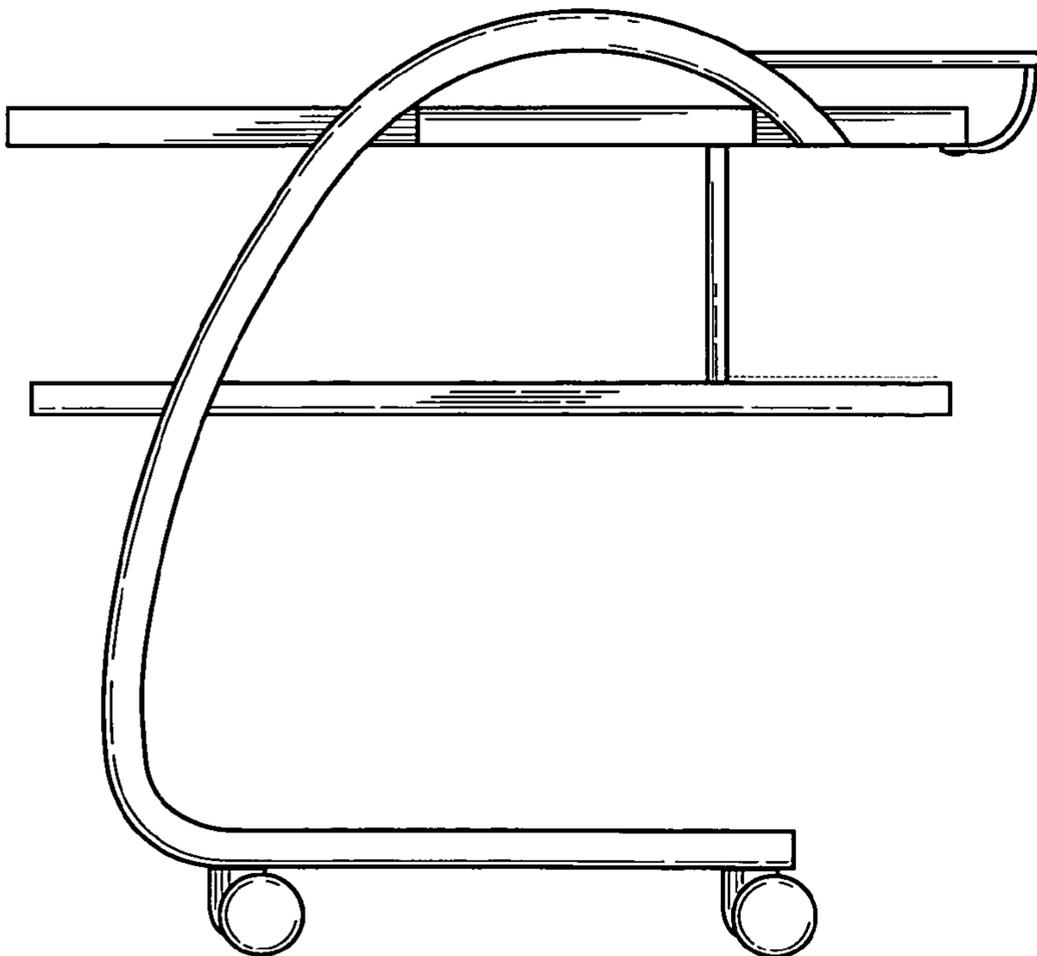
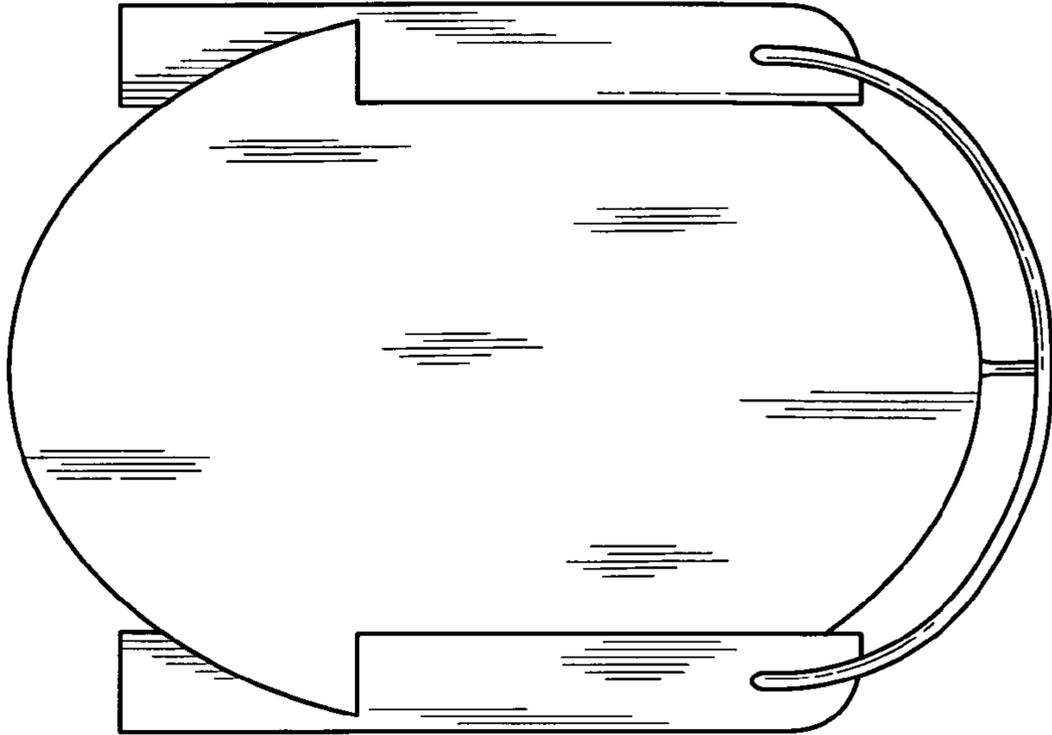
*Fig. 2*



*Fig. 3*



*Fig. 4*



*Fig. 5*

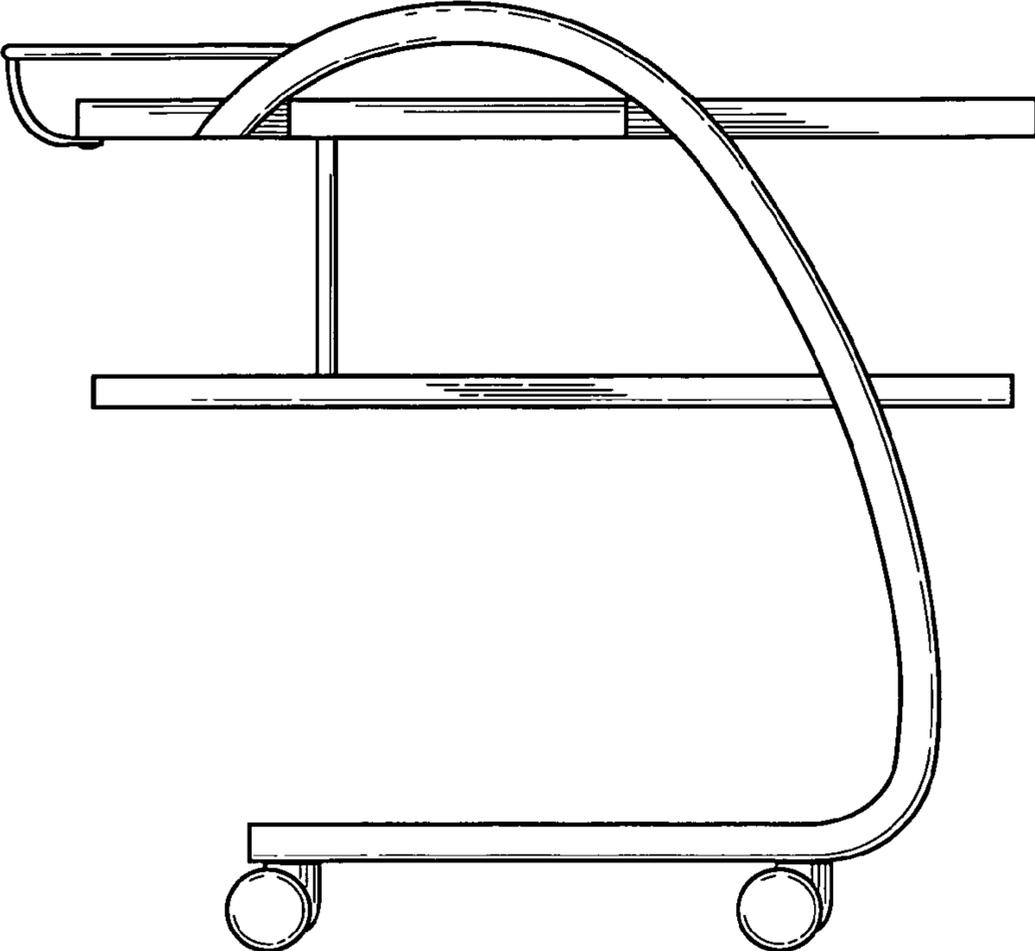


Fig. 6