

US00D571970S

(12) **United States Design Patent**
Gardner et al.

(10) **Patent No.:** **US D571,970 S**
(45) **Date of Patent:** **** Jun. 24, 2008**

(54) **RECYCLING BIN**

(75) Inventors: **Scott R. Gardner**, Rockaway Township, NJ (US); **Joseph Gerardiello**, Sparta, NJ (US)

(73) Assignee: **Intercycle LLC**, Wayne, NJ (US)

(**) Term: **14 Years**

(21) Appl. No.: **29/298,362**

(22) Filed: **Dec. 4, 2007**

Related U.S. Application Data

(62) Division of application No. 29/276,494, filed on Jan. 26, 2007, now Pat. No. Des. 562,520.

(51) **LOC (8) Cl.** **09-09**

(52) **U.S. Cl.** **D34/7**

(58) **Field of Classification Search** D34/1, D34/5, 6, 7, 8, 9, 10, 11; 220/908-913, 262-264
See application file for complete search history.

(56) **References Cited**

U.S. PATENT DOCUMENTS

D251,969	S	*	5/1979	Tucky	D34/19
D289,458	S	*	4/1987	Zakrajsek	D34/7
D309,810	S	*	8/1990	Moore	D34/9
5,022,553	A	*	6/1991	Pontius	206/205
D328,168	S	*	7/1992	Bartle	D34/7

D333,898	S	*	3/1993	Schulze et al.	D34/7
D334,805	S	*	4/1993	Ivey	D24/131
D335,562	S	*	5/1993	Evans	D34/7
D340,333	S	*	10/1993	Duran et al.	D34/7
D389,630	S	*	1/1998	Meade, Jr.	D34/1
D537,224	S	*	2/2007	Chen	D34/9

* cited by examiner

Primary Examiner—Cynthia E Ramirez

(74) *Attorney, Agent, or Firm*—Richard M. Goldberg

(57) **CLAIM**

The ornamental design for a recycling bin, as shown and described.

DESCRIPTION

FIG. 1 is a perspective view of a recycling bin of my design, viewed from the top and front, in a closed configuration;

FIG. 2 is a front elevational view thereof;

FIG. 3 is a rear elevational view thereof;

FIG. 4 is a left side elevational view thereof;

FIG. 5 is a right side elevational view thereof;

FIG. 6 is a top plan view thereof;

FIG. 7 is a bottom plan view thereof; and,

FIG. 8 is a perspective view thereof, viewed from the top and front, in an open configuration.

1 Claim, 8 Drawing Sheets

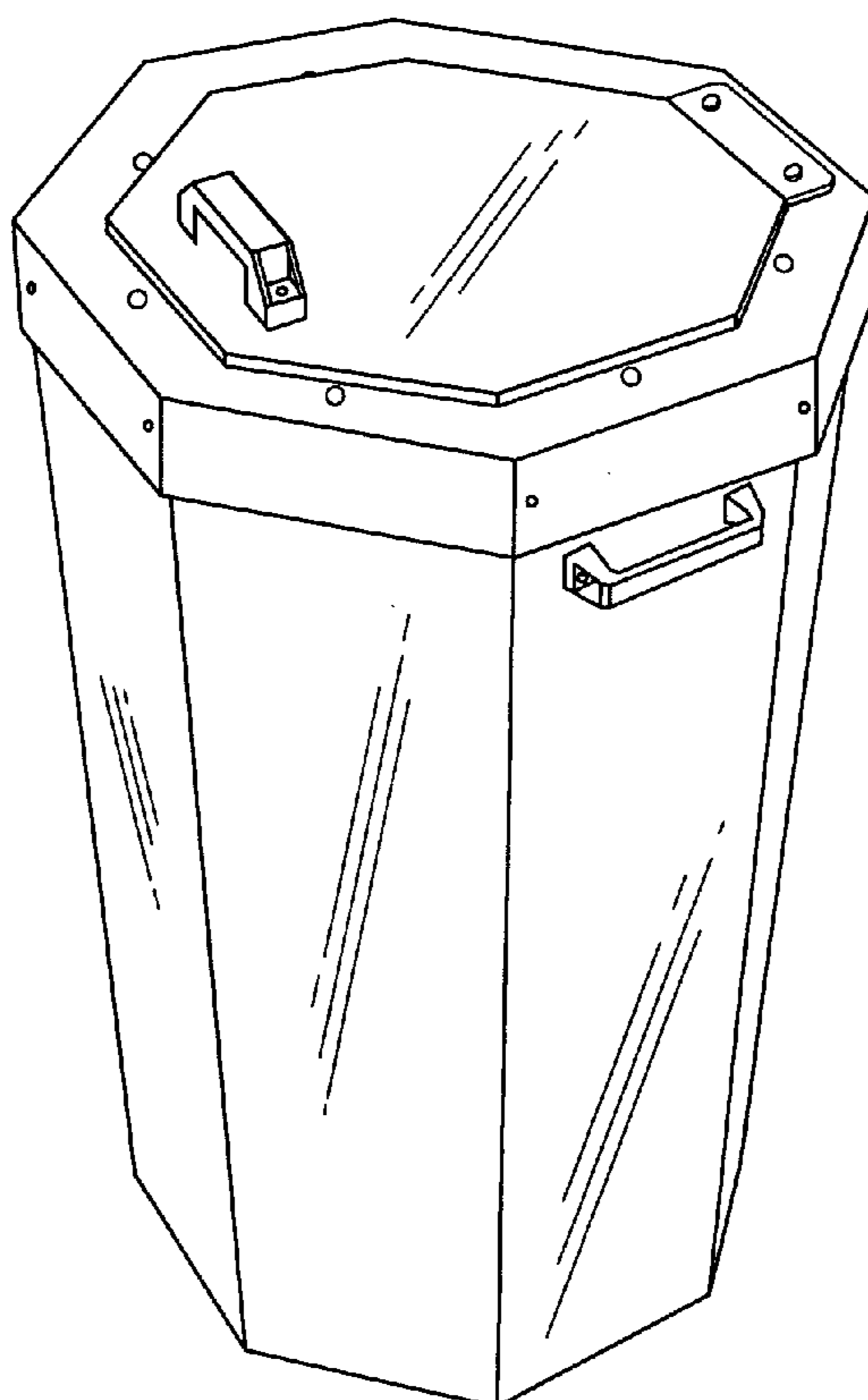


FIG. 1

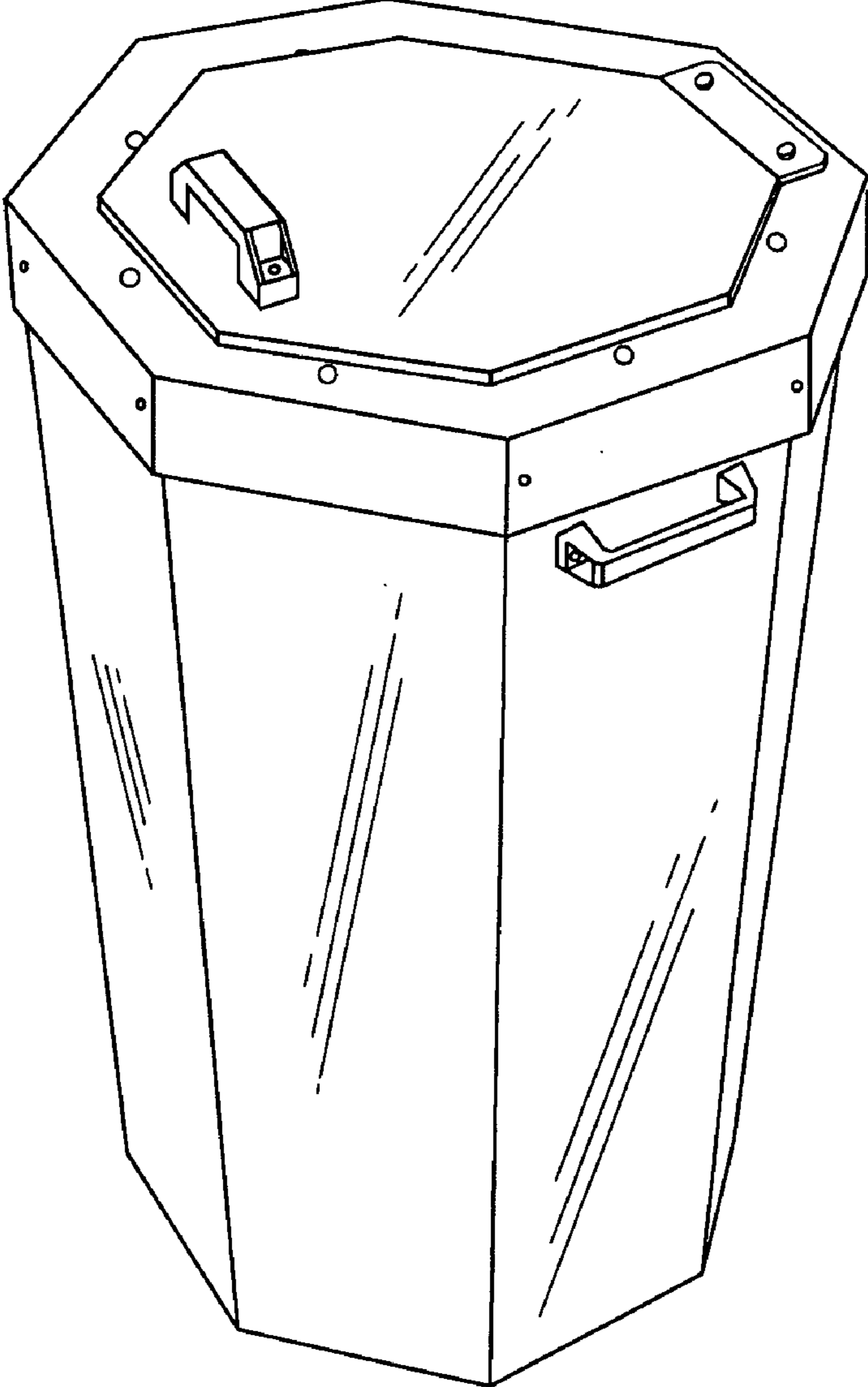


FIG. 2

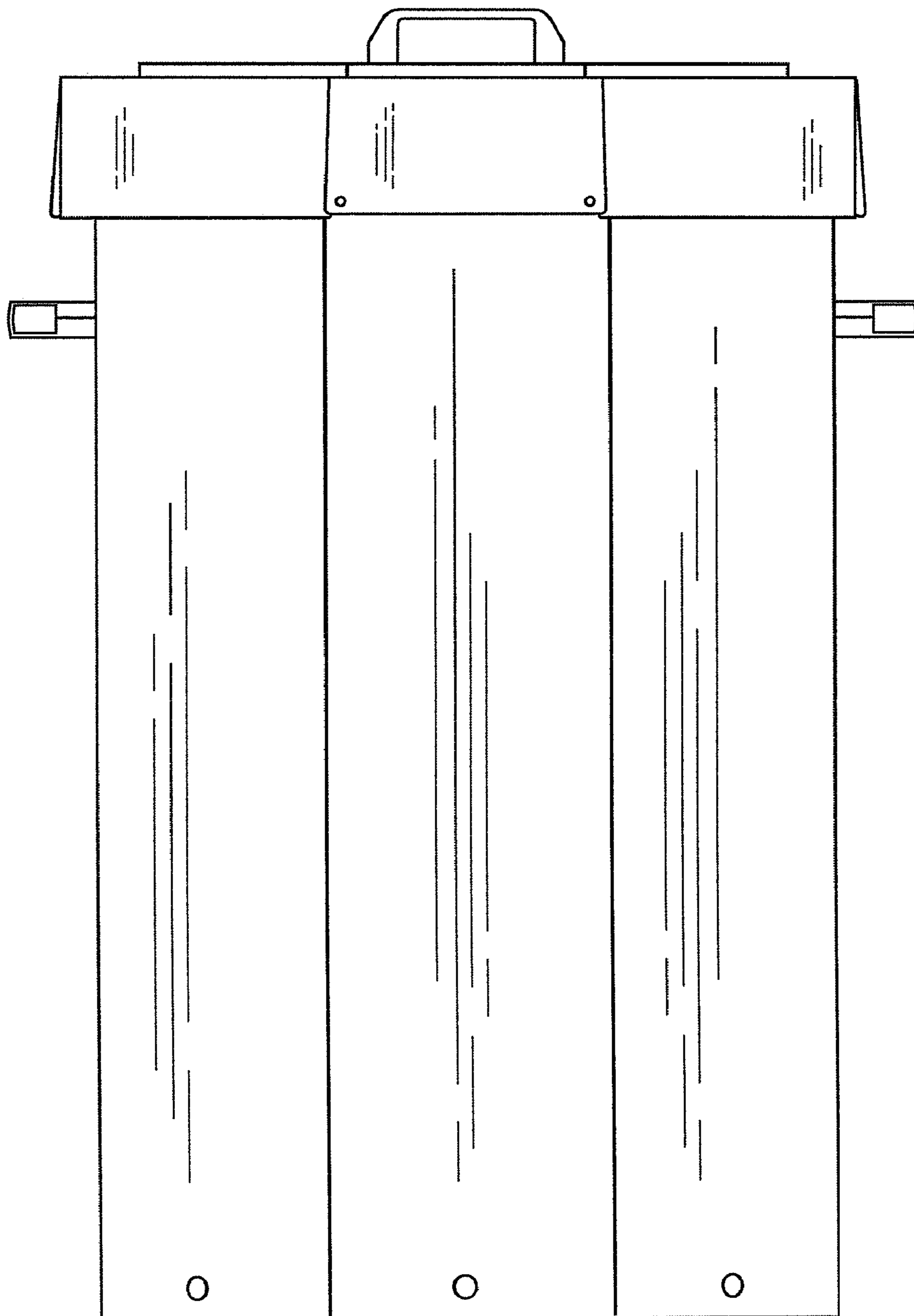


FIG. 3

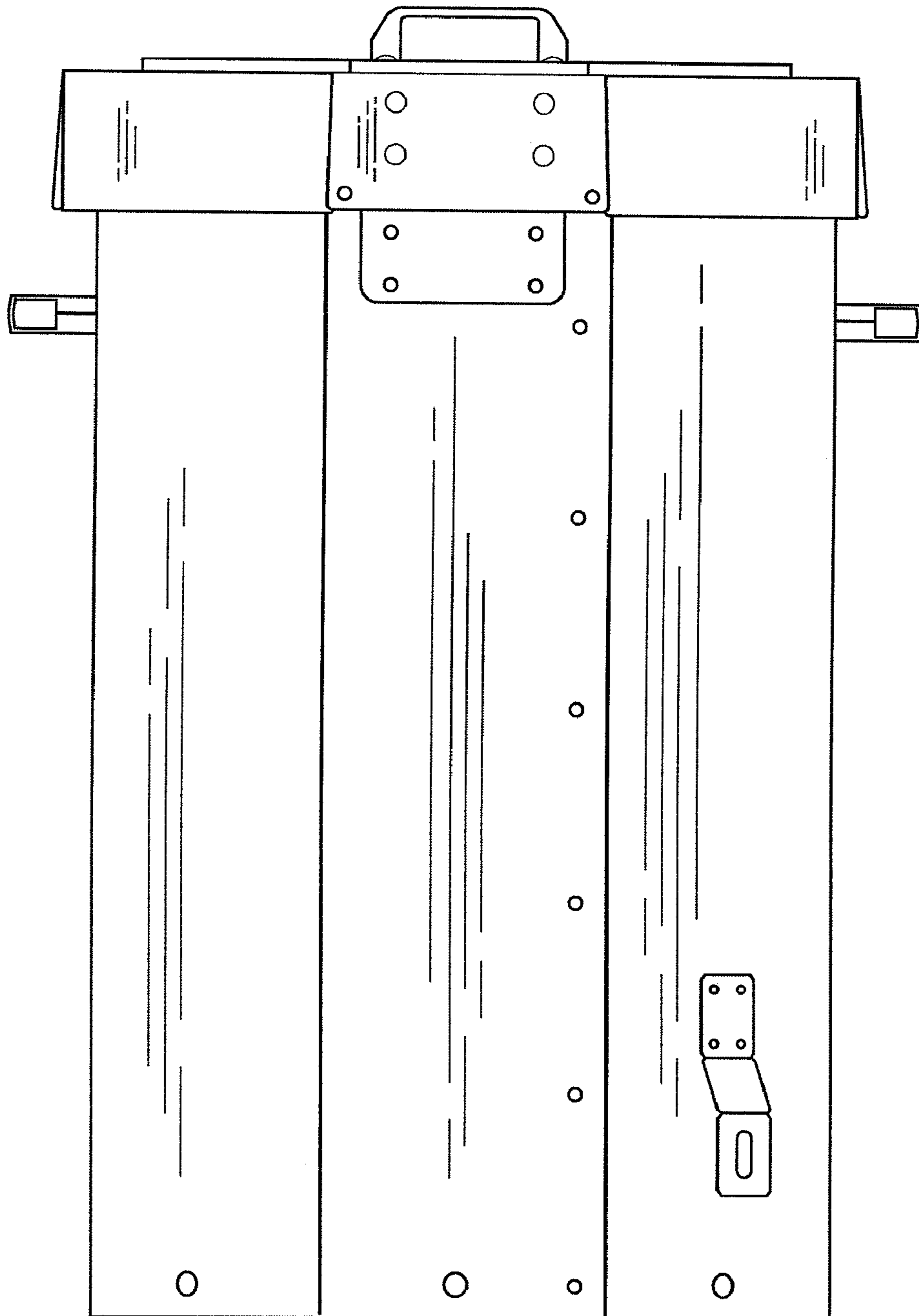


FIG. 4

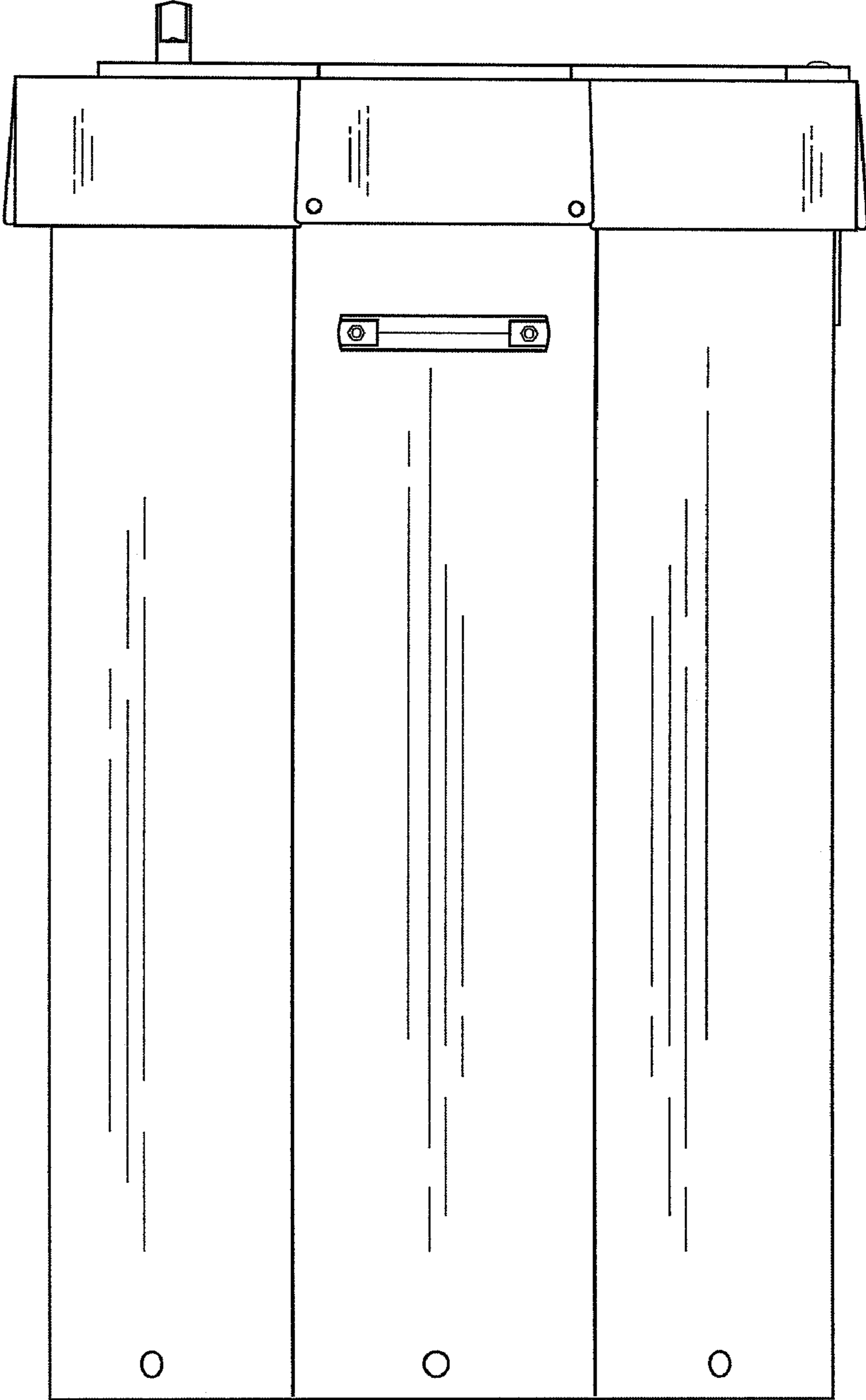


FIG. 5

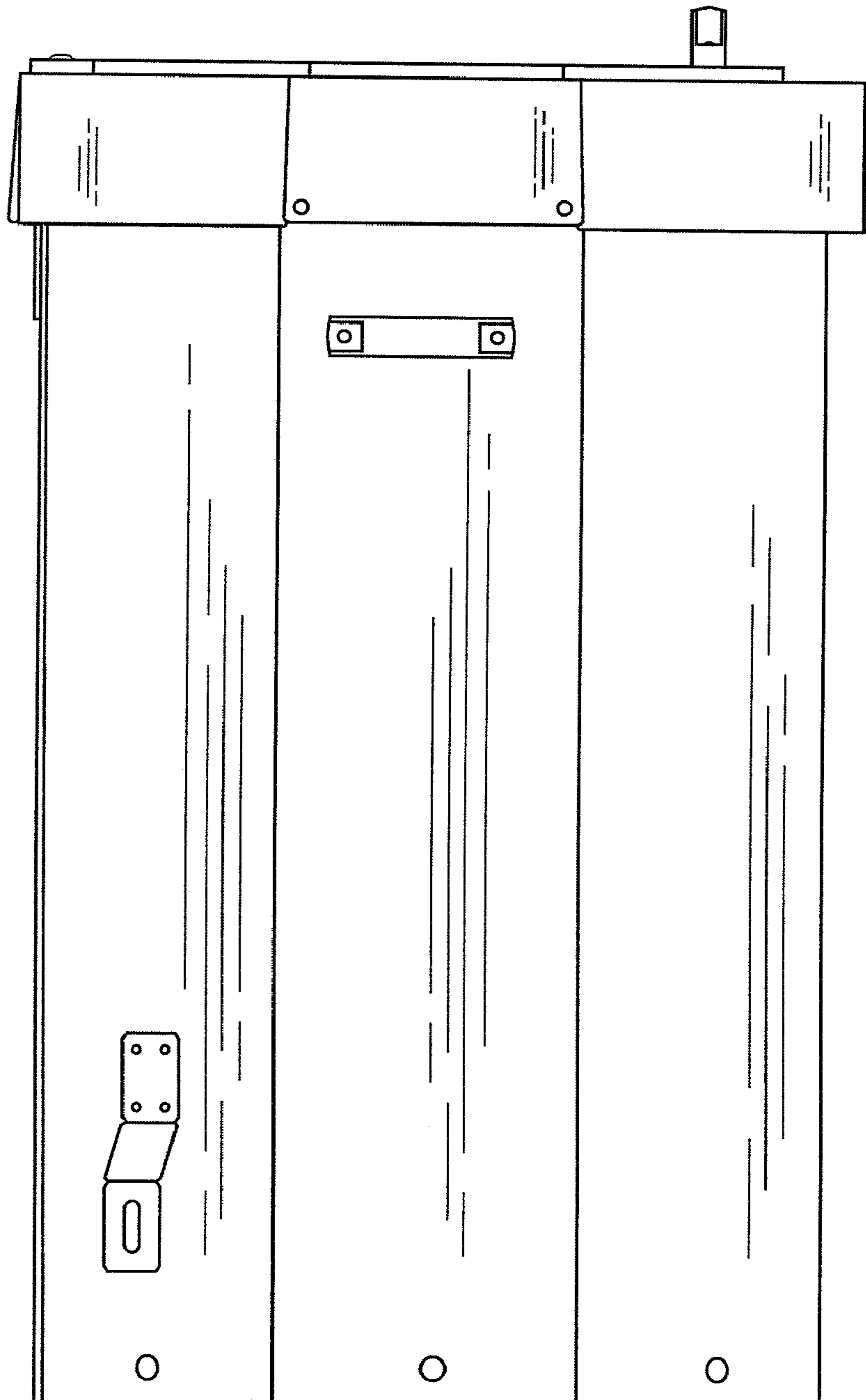


FIG. 6

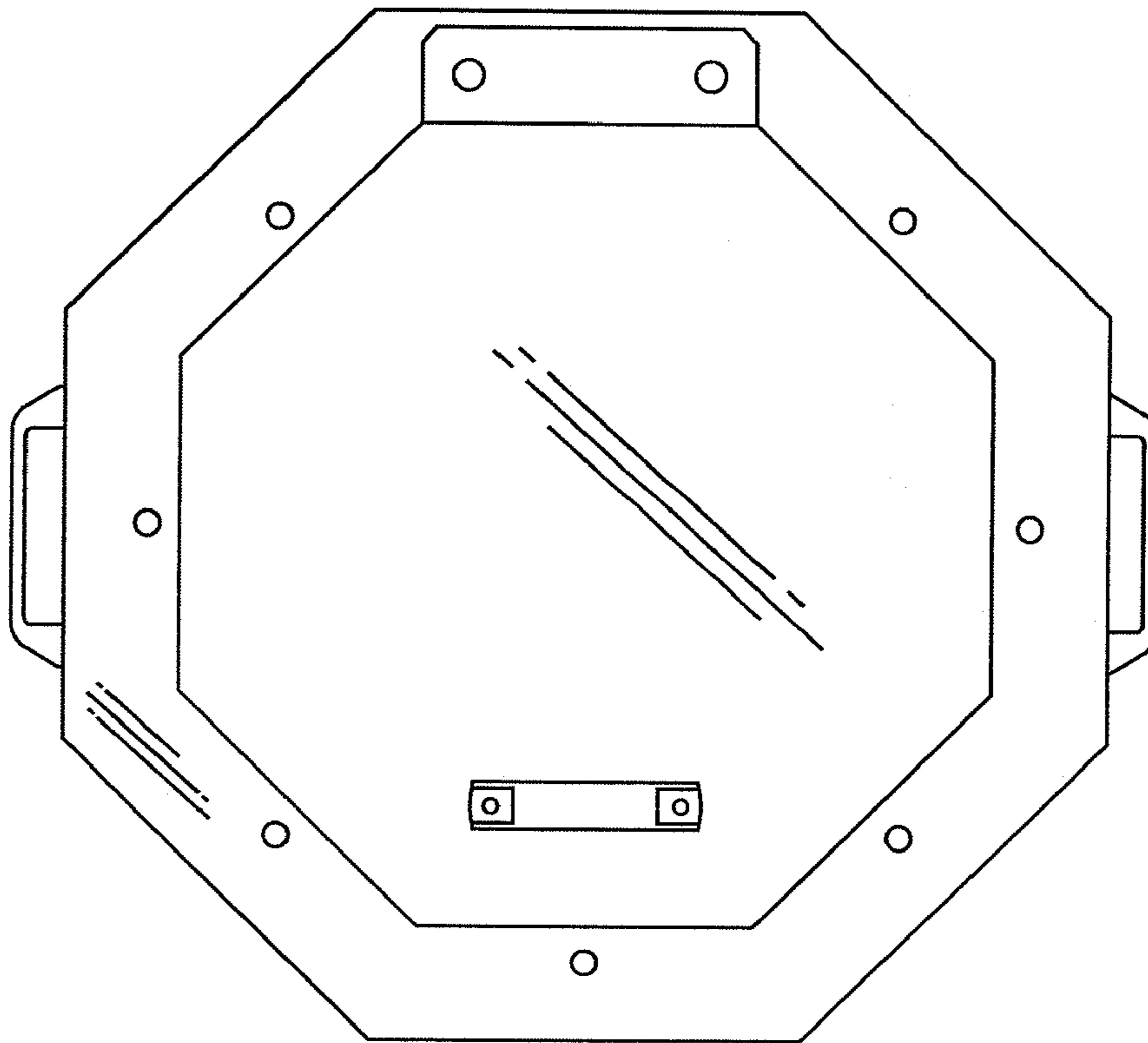


FIG. 7

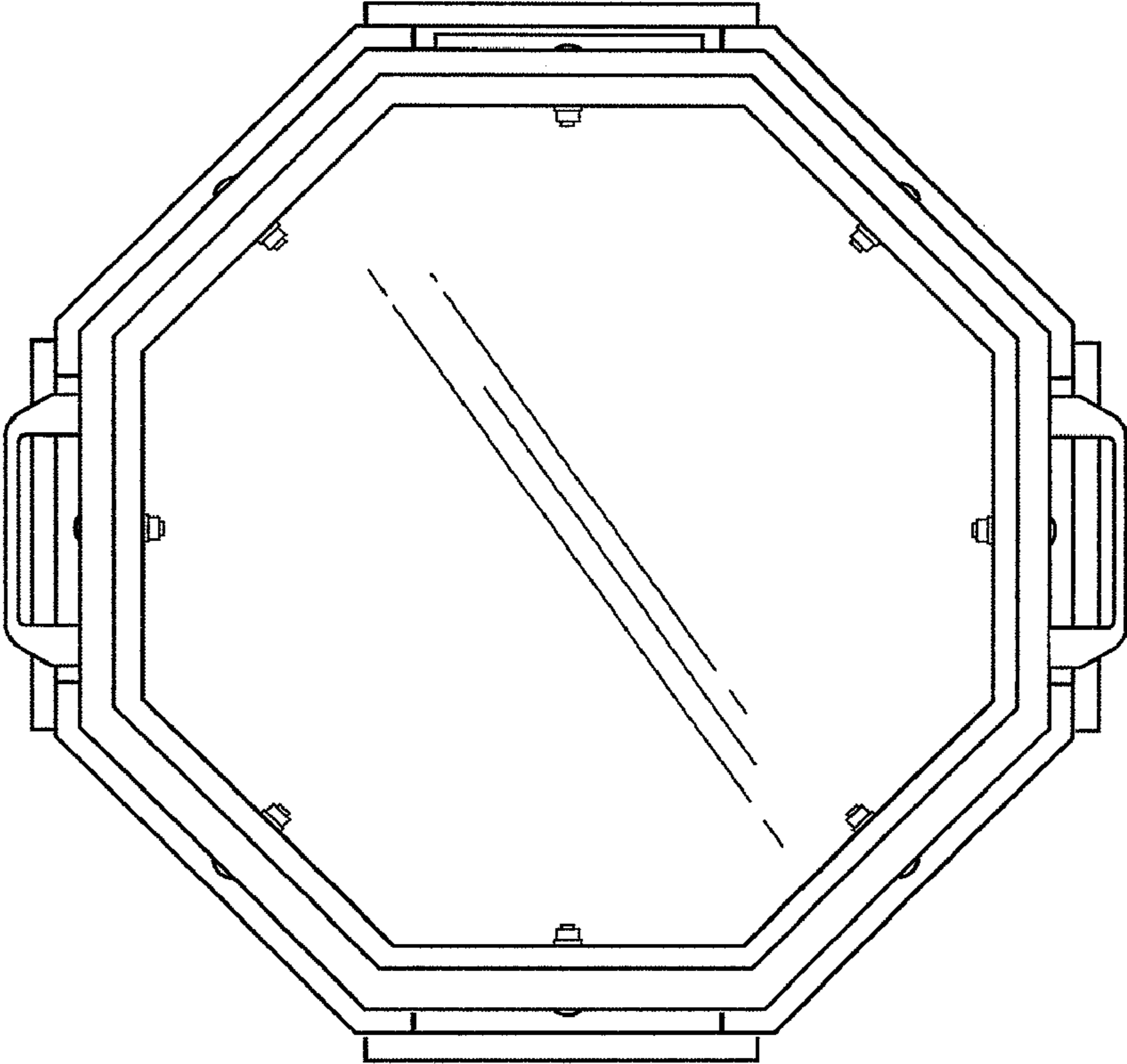


FIG. 8

