



US00D571969S

(12) **United States Design Patent**
Byers

(10) **Patent No.:** **US D571,969 S**
(45) **Date of Patent:** **** Jun. 24, 2008**

(54) **PAINT TRAY, COVER AND BAIL**

D302,881 S * 8/1989 Lussier et al. D32/53.1

(75) Inventor: **Gary L. Byers**, Columbia Falls, MT
(US)

(Continued)

(73) Assignee: **Locan Properties, LLC**, Kalispell, MT
(US)

Primary Examiner—Freda S. Nunn
Assistant Examiner—Kevin K Rudzinski
(74) *Attorney, Agent, or Firm*—Carl G. Dowrey

(**) Term: **14 Years**

(57) **CLAIM**

(21) Appl. No.: **29/268,285**

The ornamental design for a paint tray, cover and bail, as shown.

(22) Filed: **Nov. 2, 2006**

DESCRIPTION

(51) **LOC (8) Cl.** **07-07**

(52) **U.S. Cl.** **D32/53.1**

(58) **Field of Classification Search** D32/53.1,
D32/53.54; 222/570; 220/570, 757, 754,
220/697, 507, 695, 793, 571, 571.1; 15/257.05,
15/257.06; 206/216; D3/276, 304
See application file for complete search history.

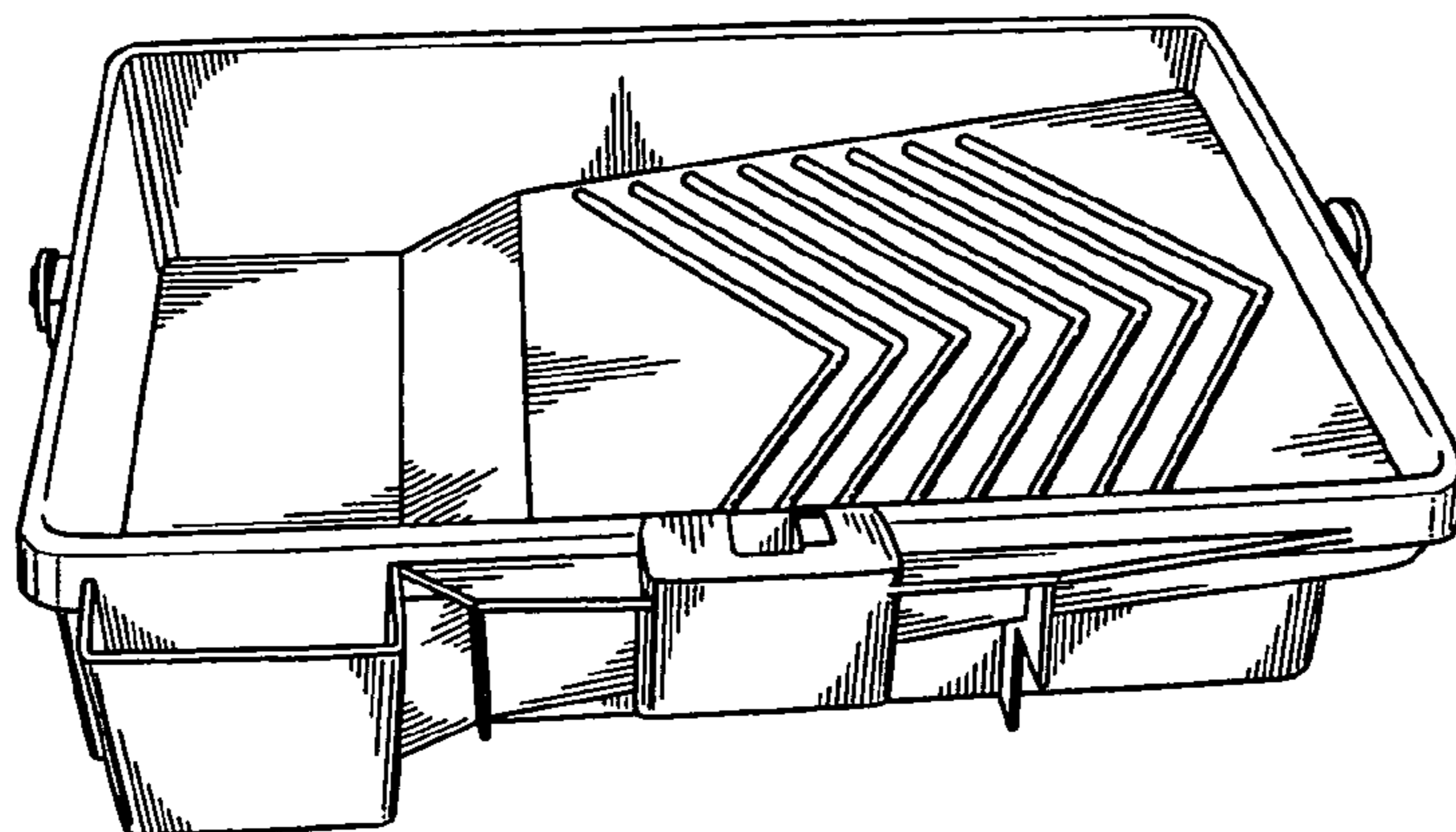
FIG. 1 is a perspective view of a paint tray;
FIG. 2 is a top plan view of the paint tray;
FIG. 3 is a rear elevational view of the paint tray;
FIG. 4 is a front elevational view of the paint tray;
FIG. 5 is a right side elevational view of the paint tray;
FIG. 6 is a left side elevational view of the ladder mount;
FIG. 7 is a bottom plan view of the paint tray;
FIG. 8 is a perspective view of the paint tray with bail;
FIG. 9 is a top plan view of the paint tray with bail;
FIG. 10 is a rear elevational view of the paint tray with bail;
FIG. 11 is a front elevational view of the paint tray with bail;
FIG. 12 is a right side elevational view of the paint tray with bail;
FIG. 13 is a left side elevational view of the paint tray with bail;
FIG. 14 is a bottom view of the paint tray with bail;
FIG. 15 is a perspective view of the paint tray with cover;
FIG. 16 is a top plan view of the paint tray with cover;
FIG. 17 is a rear elevational view of the paint tray with cover;
FIG. 18 is a front elevational view of the paint tray with cover;
FIG. 19 is a right side elevational view of the paint tray with cover;
FIG. 20 is a left side elevational view of the paint tray with cover; and,
FIG. 21 is a bottom view of the paint tray with cover.

(56) **References Cited**

U.S. PATENT DOCUMENTS

802,861 A	10/1905	Hetherington	
2,453,189 A	11/1948	Bogut	
2,645,443 A	7/1953	Pelletier	
2,674,427 A	4/1954	Woodward et al.	
2,837,306 A	6/1958	Elm	
2,855,442 A	10/1958	Spinello	
3,052,442 A	9/1962	Ranklin, Jr.	
3,227,411 A	1/1966	Treutler	
3,357,668 A	12/1967	Carrel	
3,458,165 A	7/1969	Crow	
3,514,012 A *	5/1970	Martin	220/570
3,593,951 A	7/1971	Warner et al.	
3,603,548 A	9/1971	Meyer. III	
3,661,351 A	5/1972	Olsen	
3,822,847 A	7/1974	Emmons	
D273,725 S *	5/1984	Goetz	D32/53.1
4,509,226 A *	4/1985	Allison et al.	15/257.06
4,527,763 A	7/1985	Woytowich	
4,706,918 A	11/1987	Wilson	
4,730,802 A	3/1988	Chatham et al.	
D301,785 S *	6/1989	Goetz	D32/53.1

1 Claim, 12 Drawing Sheets



US D571,969 S

Page 2

U.S. PATENT DOCUMENTS

D332,512 S *	1/1993	Bernard	D32/53.1	6,089,351 A	7/2000	Ahl et al.
5,305,977 A	4/1994	Roth		6,148,958 A	11/2000	Ahl et al.
D347,306 S *	5/1994	Rogers et al.	D32/53.1	D444,604 S	7/2001	Hoffert et al.
D355,287 S	2/1995	Camp, Jr.		6,338,459 B1	1/2002	Biggs
D383,579 S	9/1997	Samson		6,382,354 B2	5/2002	Ahl et al.
5,727,649 A	3/1998	Buckley		6,431,392 B1	8/2002	Eisenbeisz
D397,833 S *	9/1998	Adams Zurawin	D32/53.1	D470,634 S	2/2003	Rajdl
5,826,844 A	10/1998	Purdy		6,513,626 B2	2/2003	MacSweeney et al.
5,842,253 A	12/1998	Ahl et al.		6,604,721 B2	8/2003	Ahl et al.
5,855,346 A	1/1999	Hall		D524,501 S	7/2006	Prokop et al.
6,019,241 A	2/2000	Burns		7,083,044 B1	8/2006	Kilian et al.

* cited by examiner

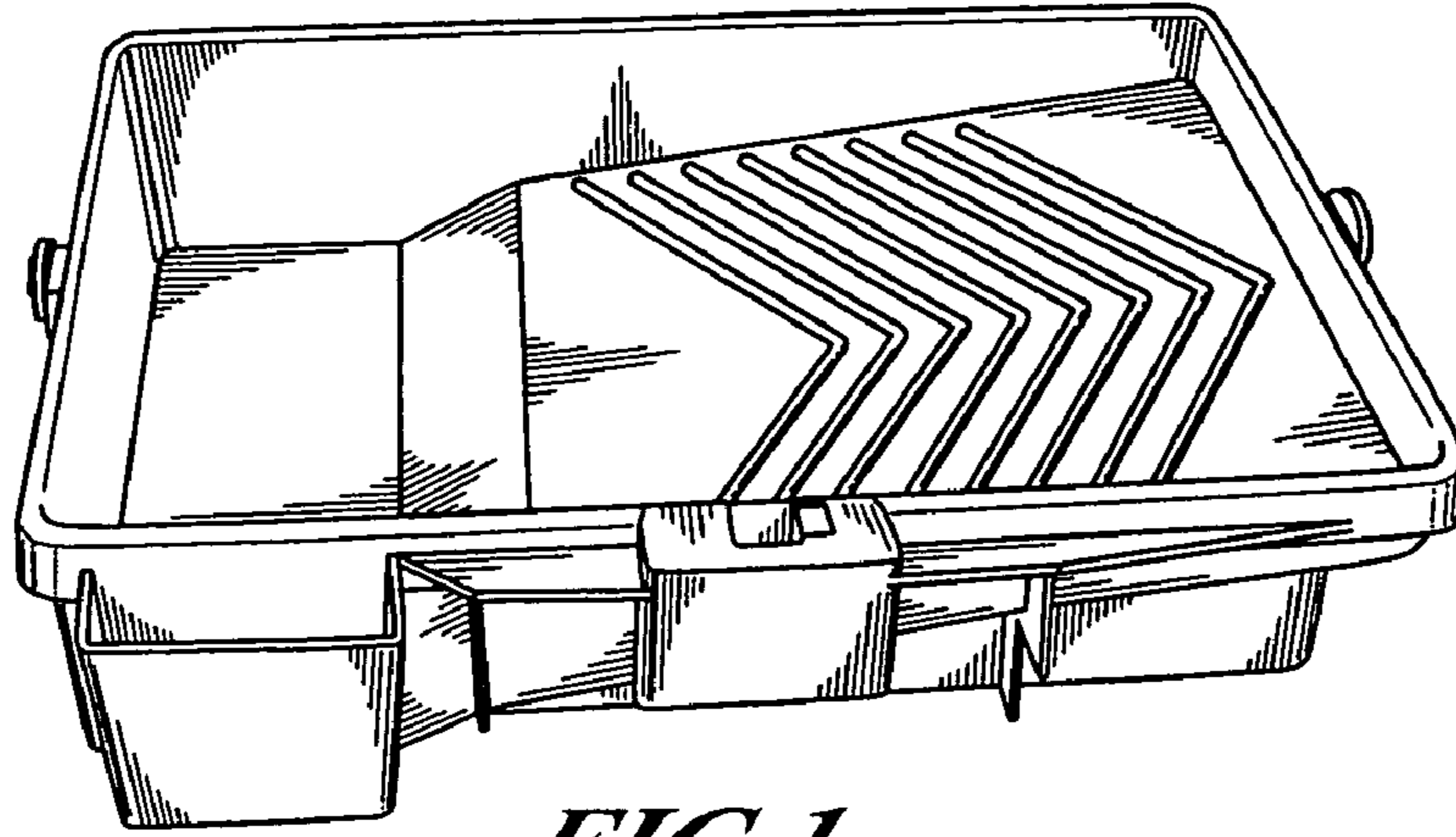


FIG. 1

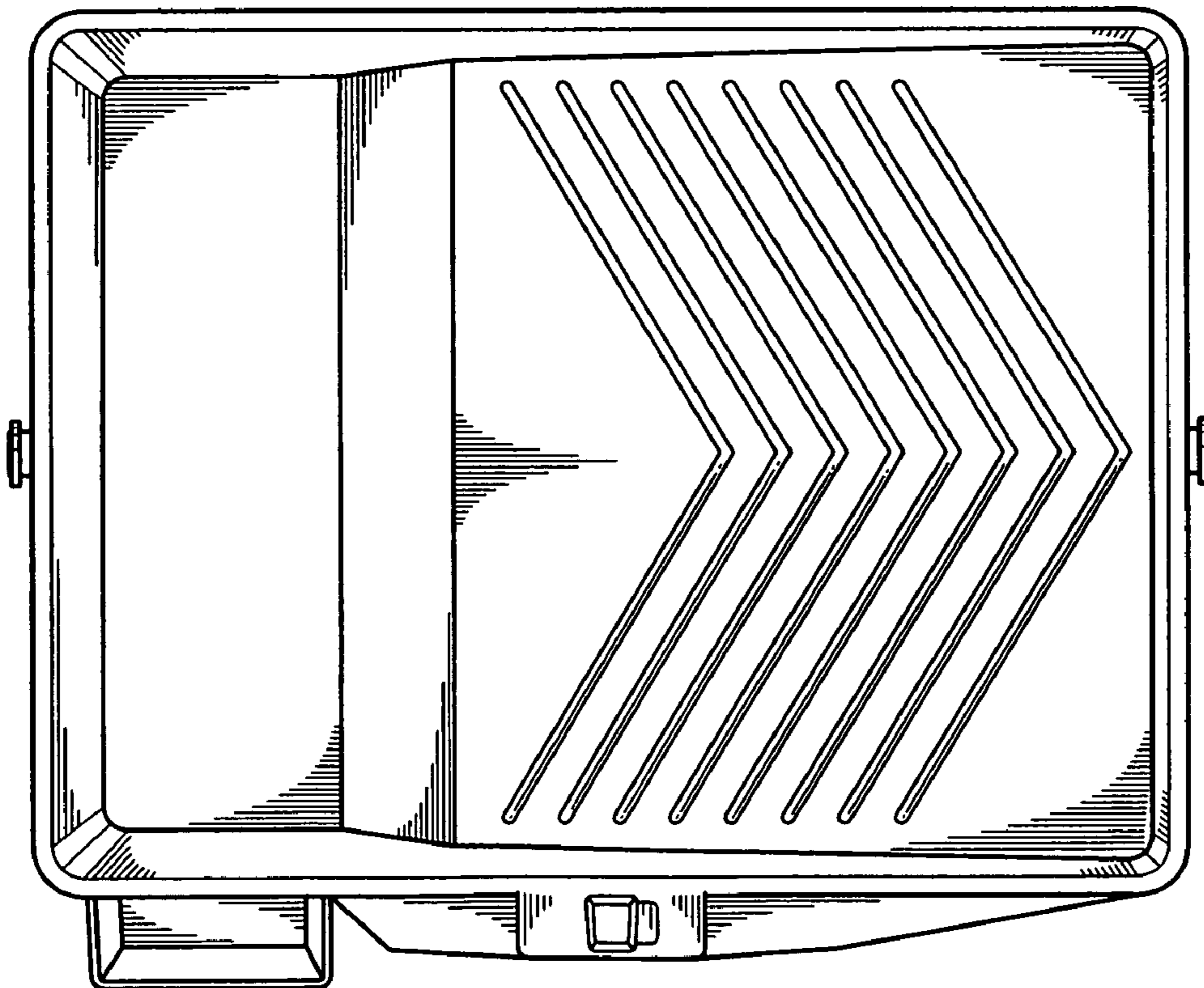


FIG. 2

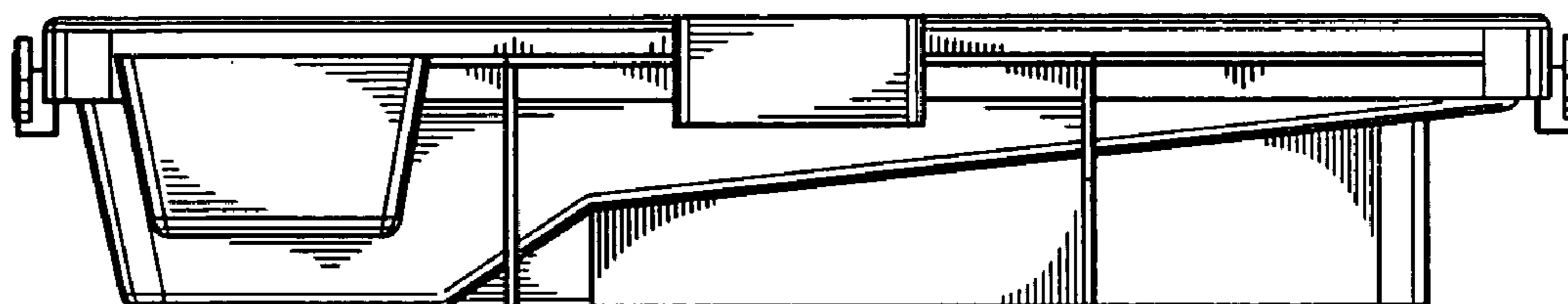


FIG. 3

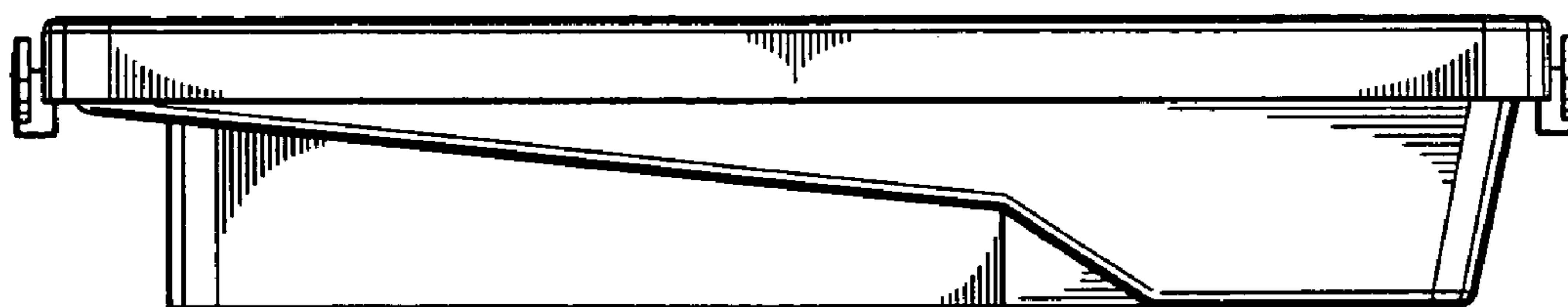


FIG. 4

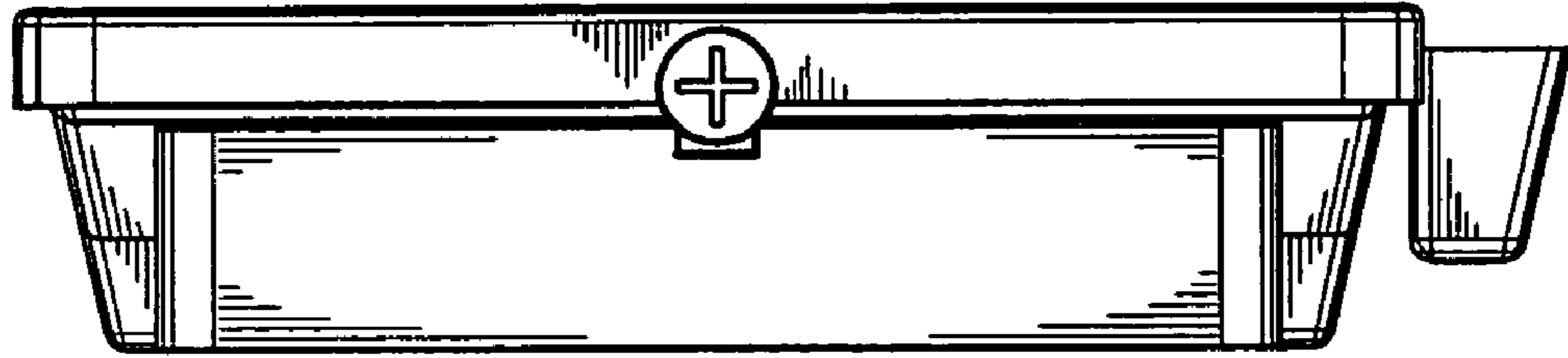


FIG. 5

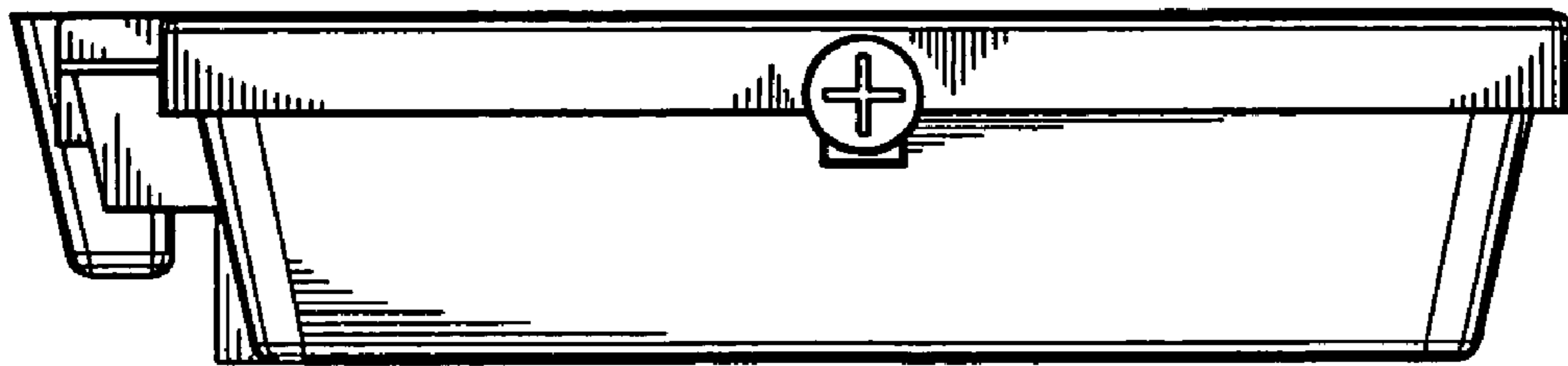


FIG. 6

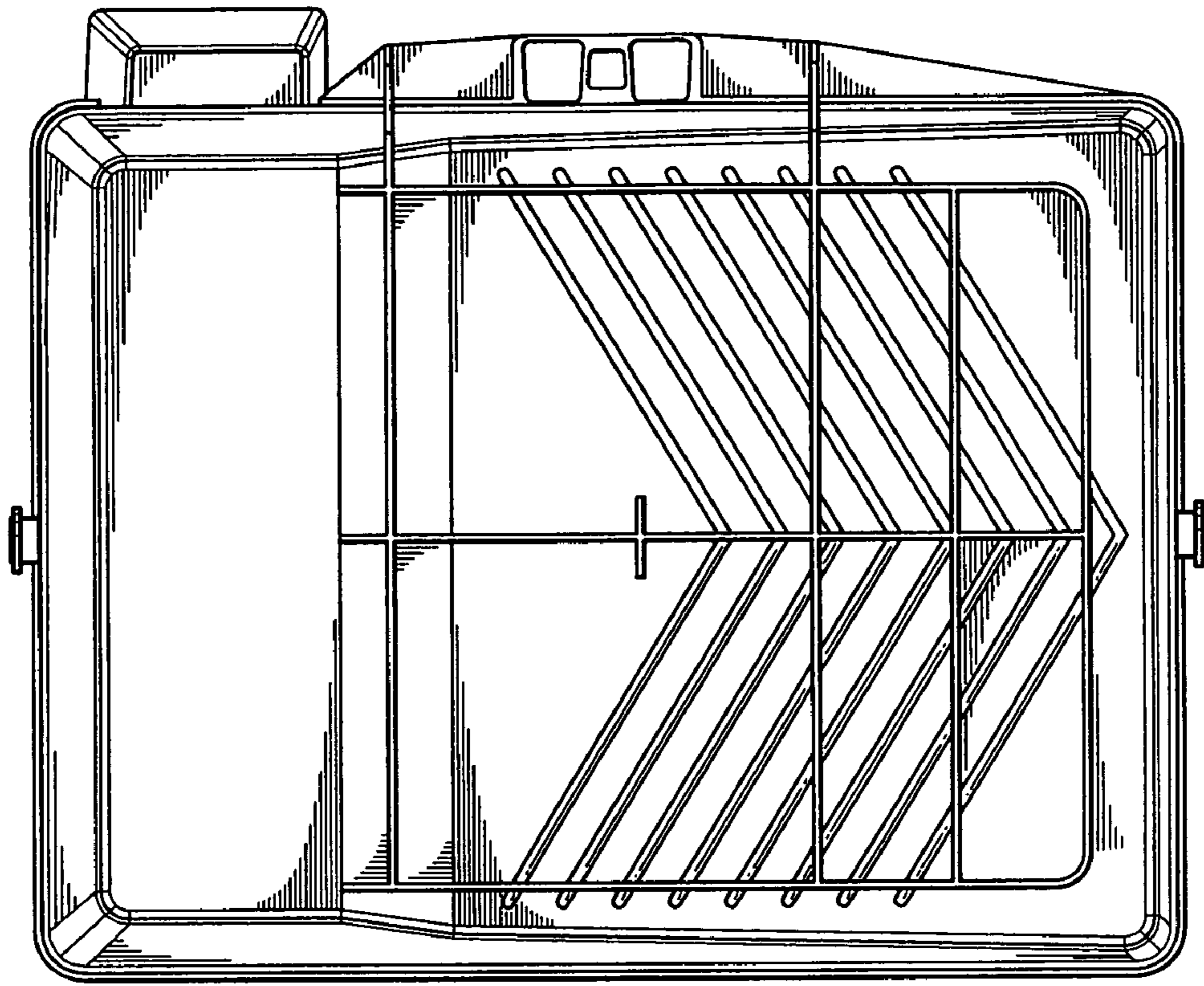


FIG. 7

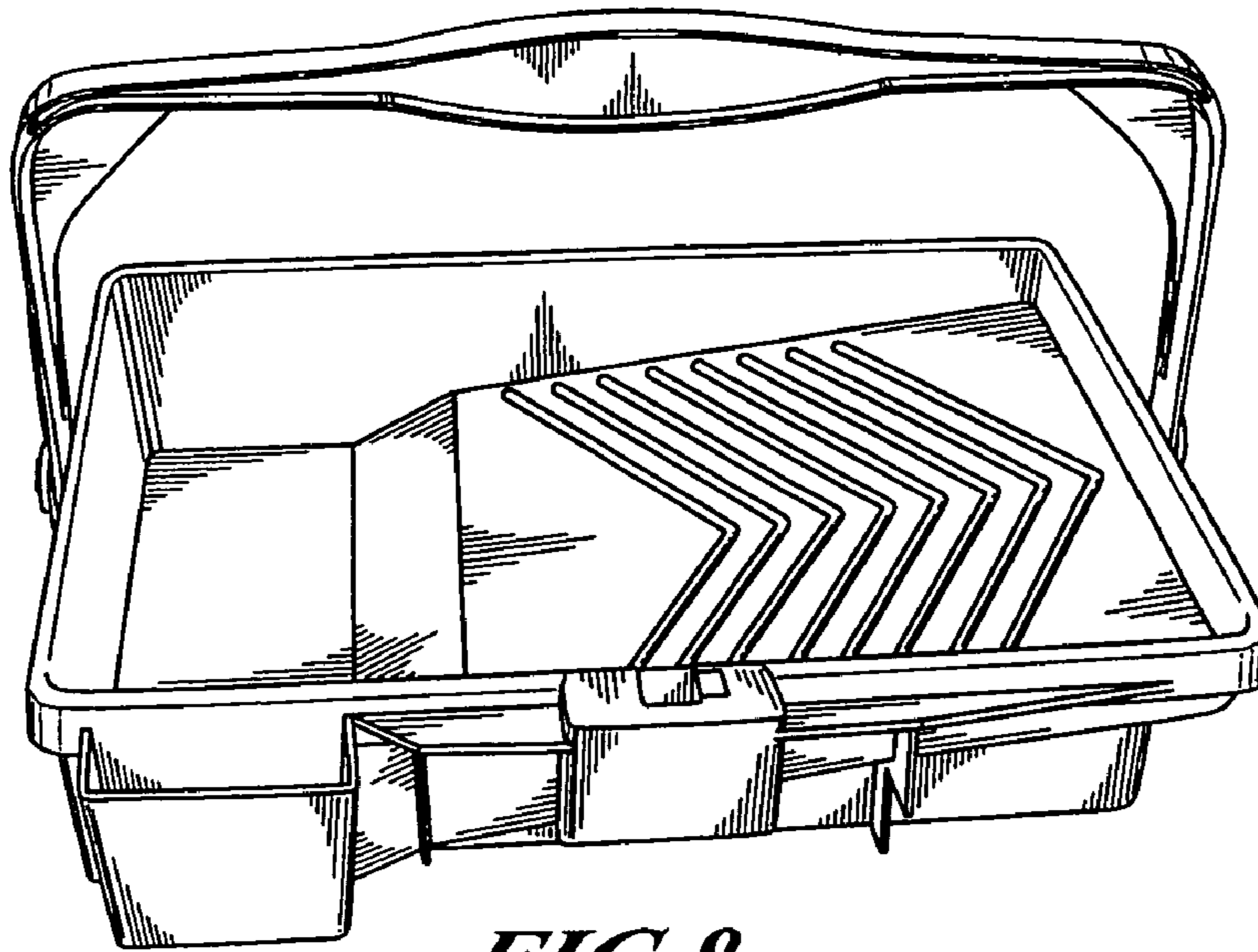


FIG. 8

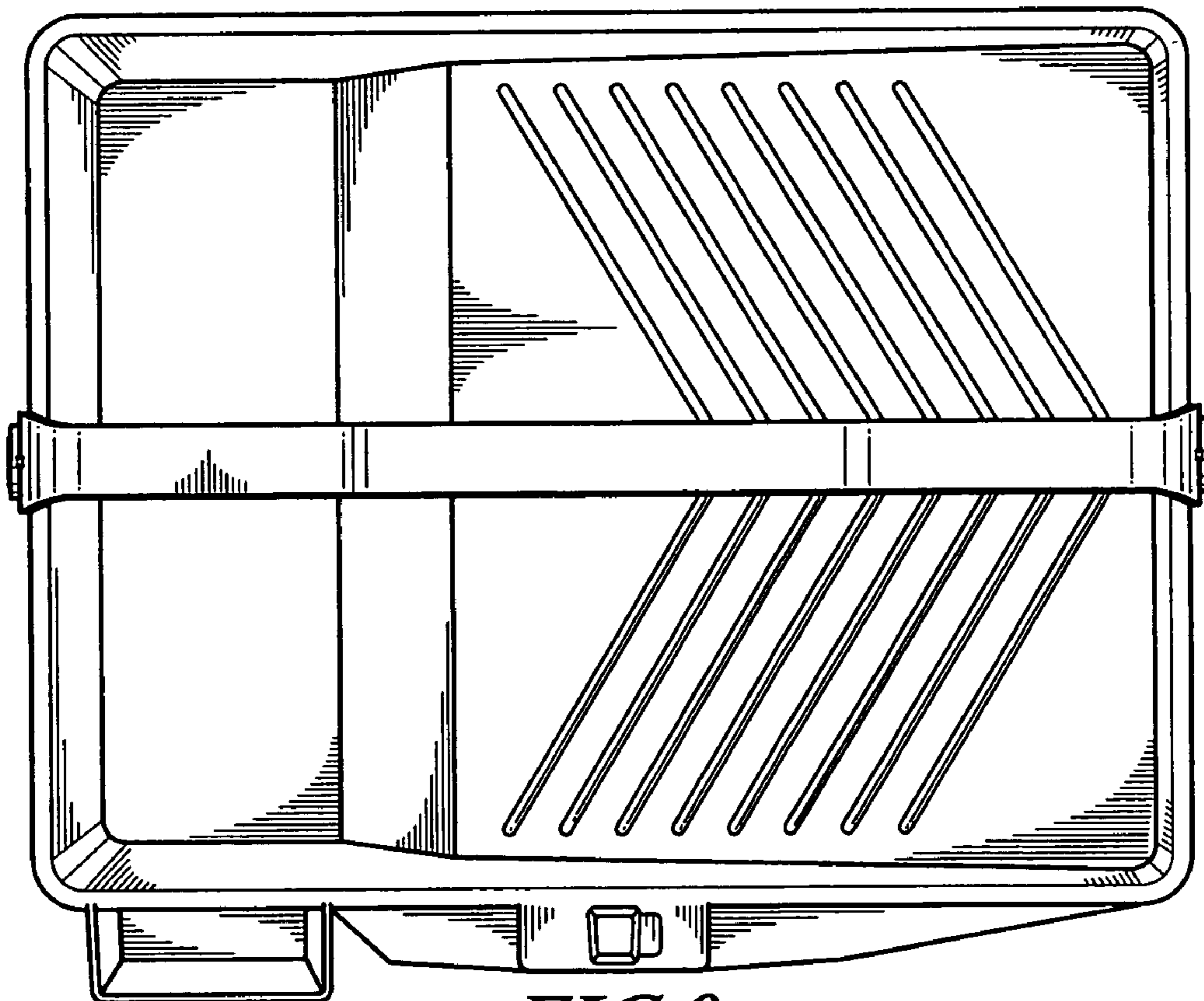


FIG. 9

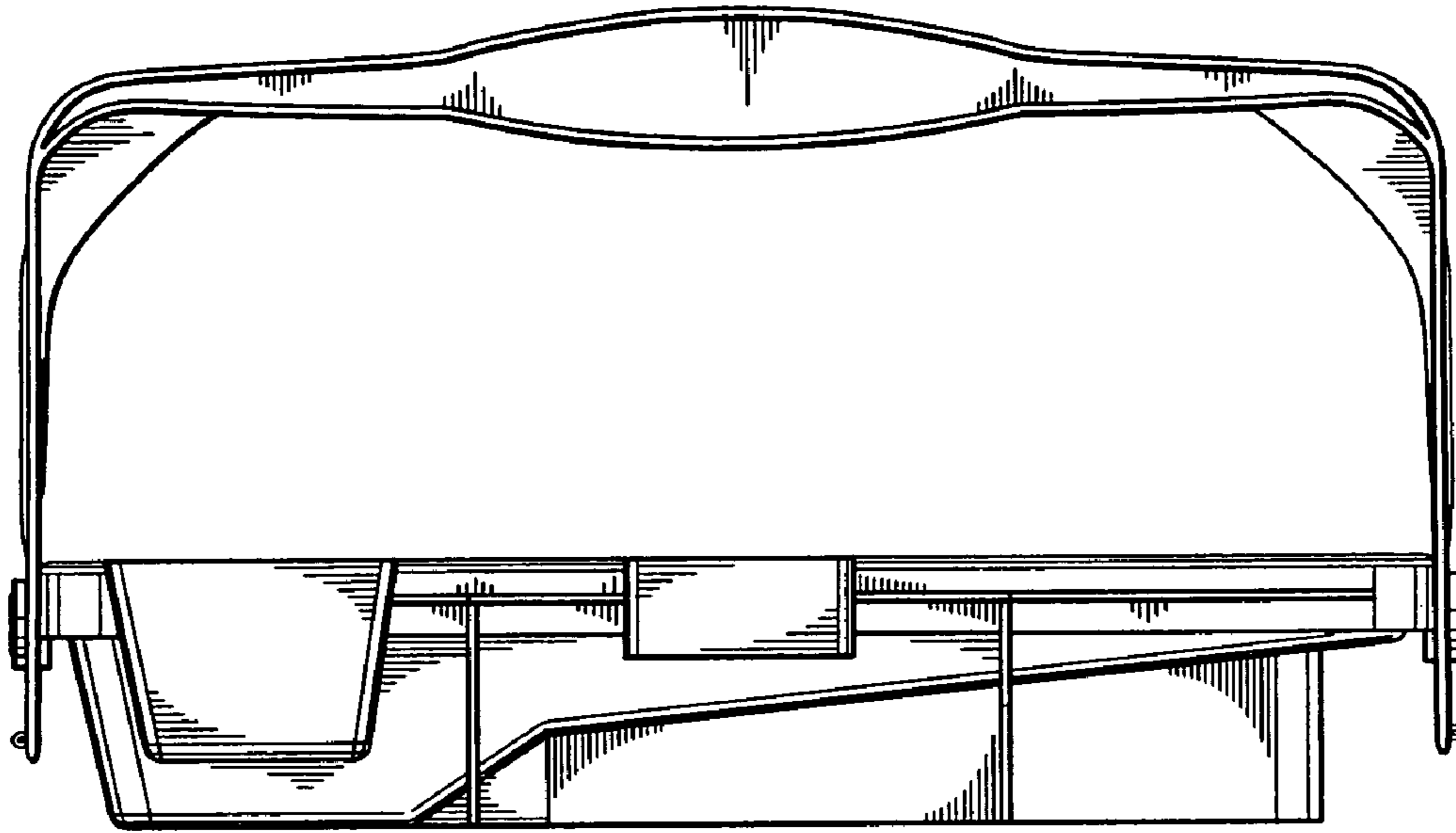


FIG. 10

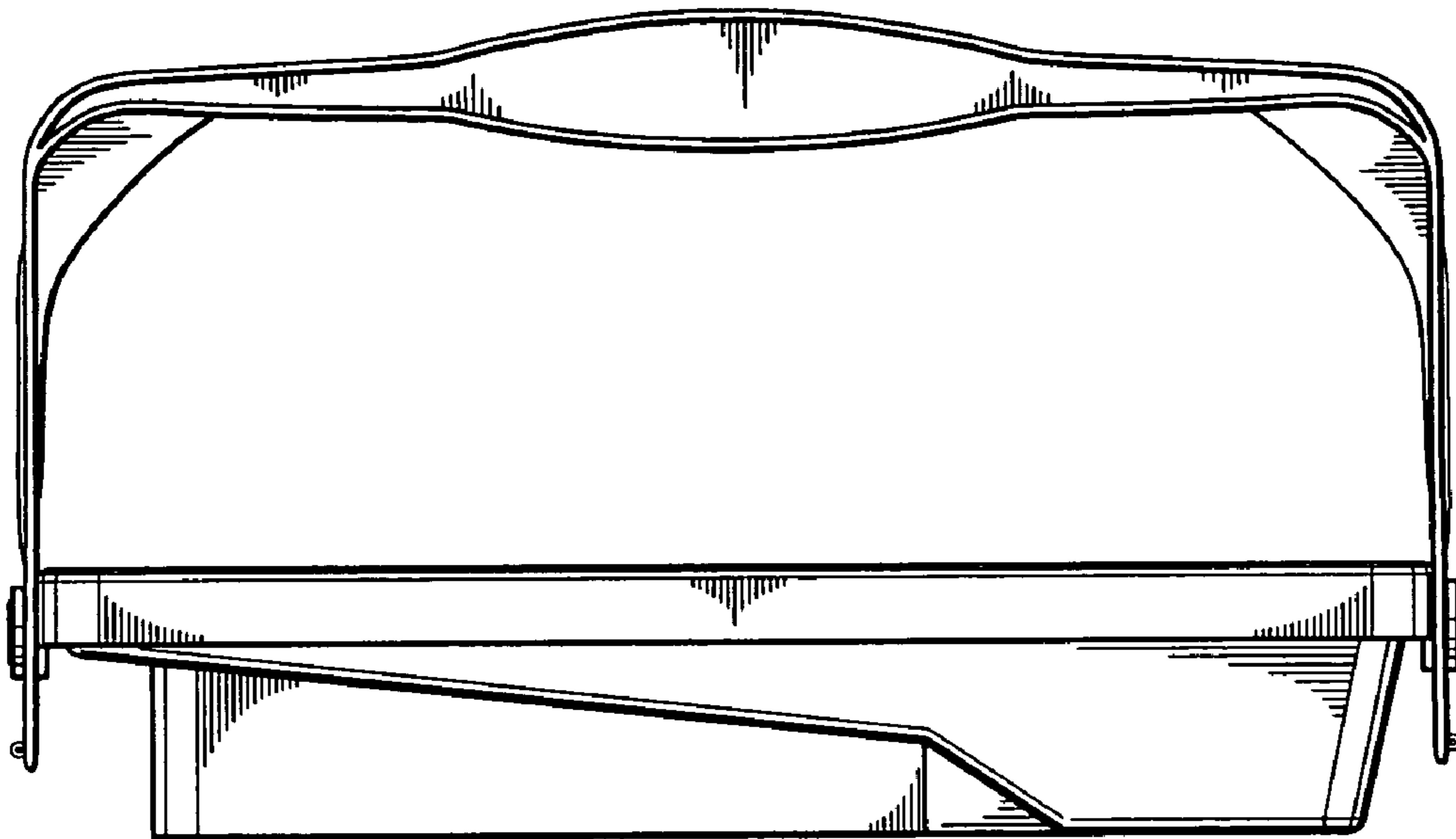


FIG. 11

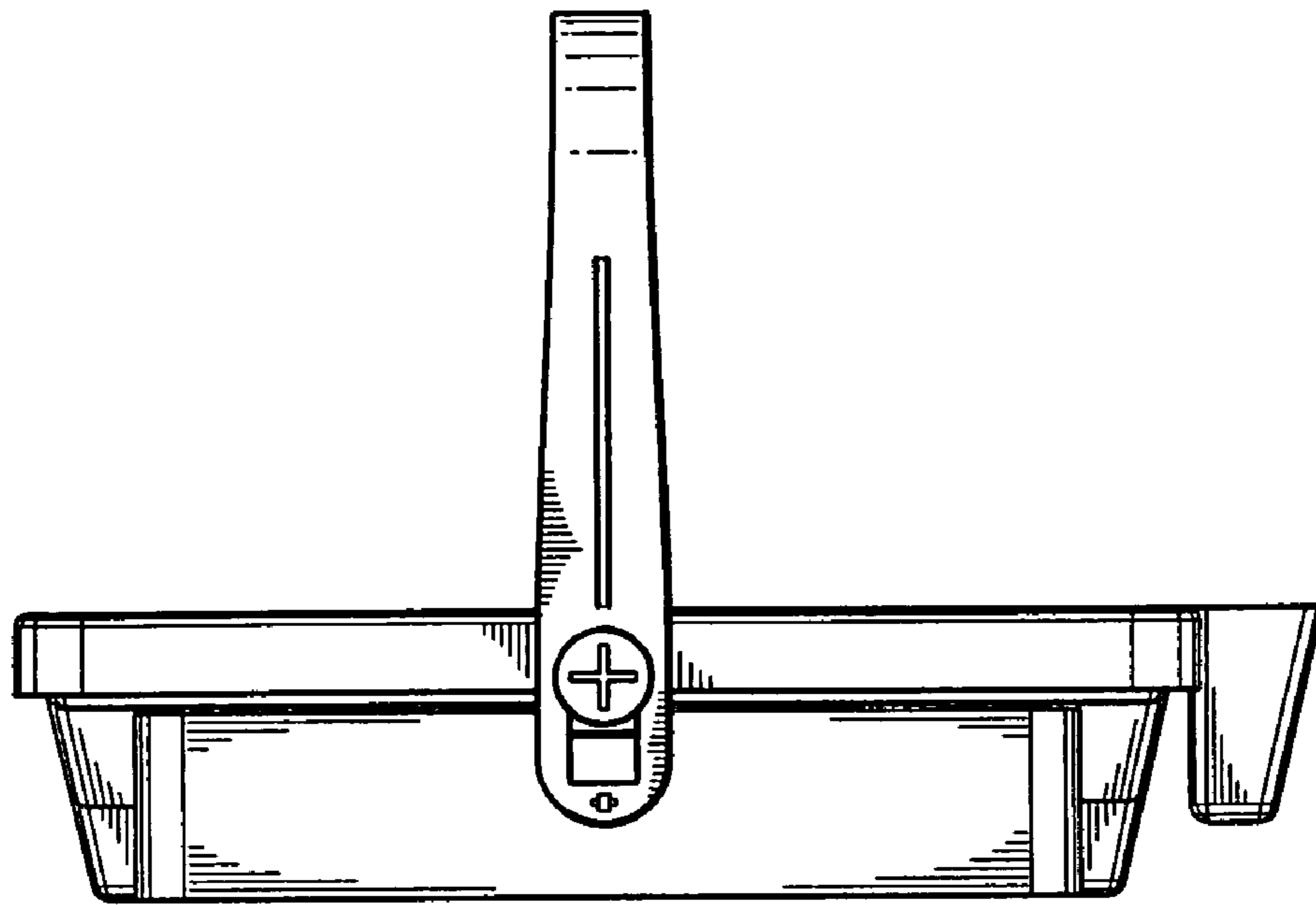


FIG. 12

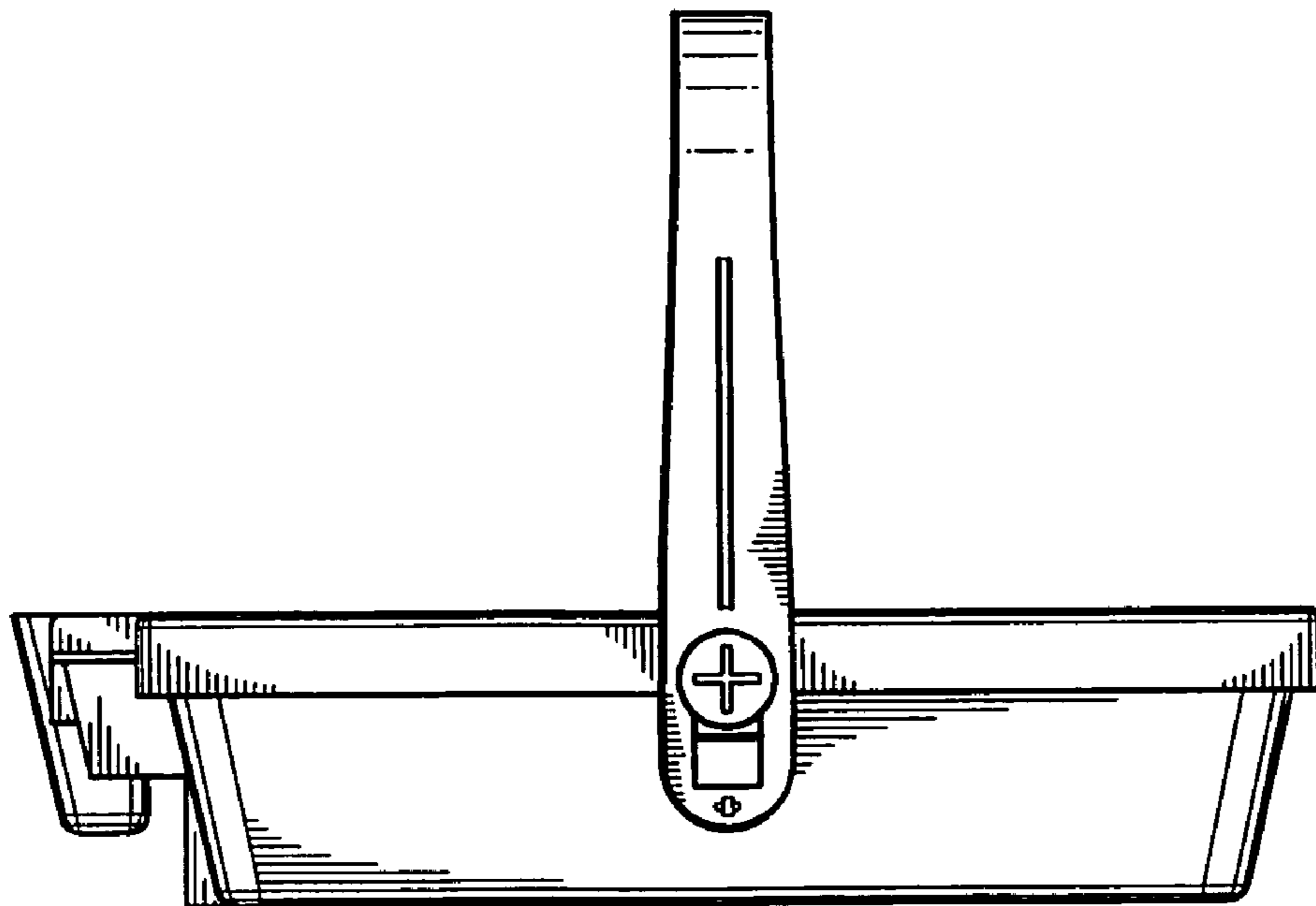


FIG. 13

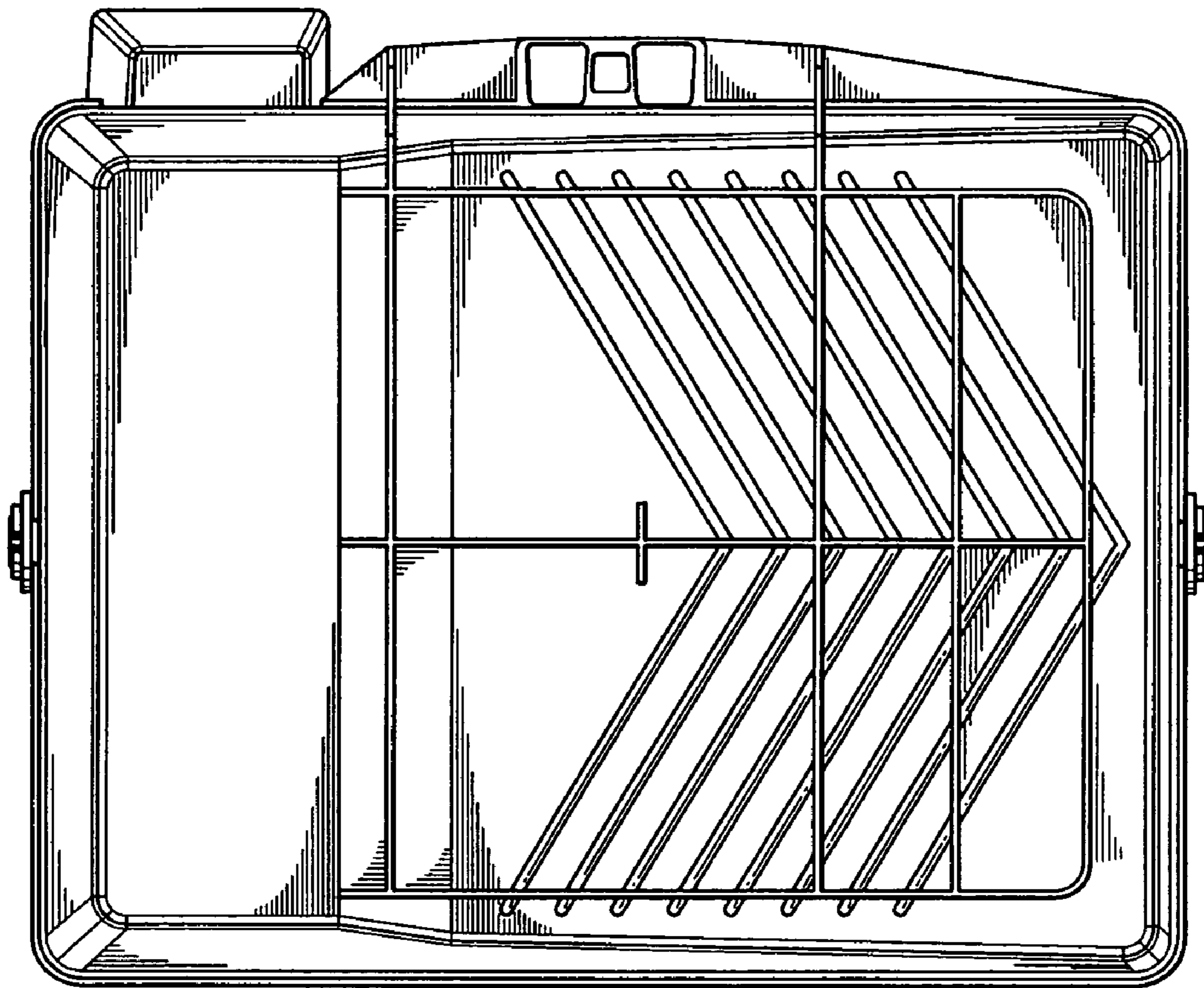


FIG. 14

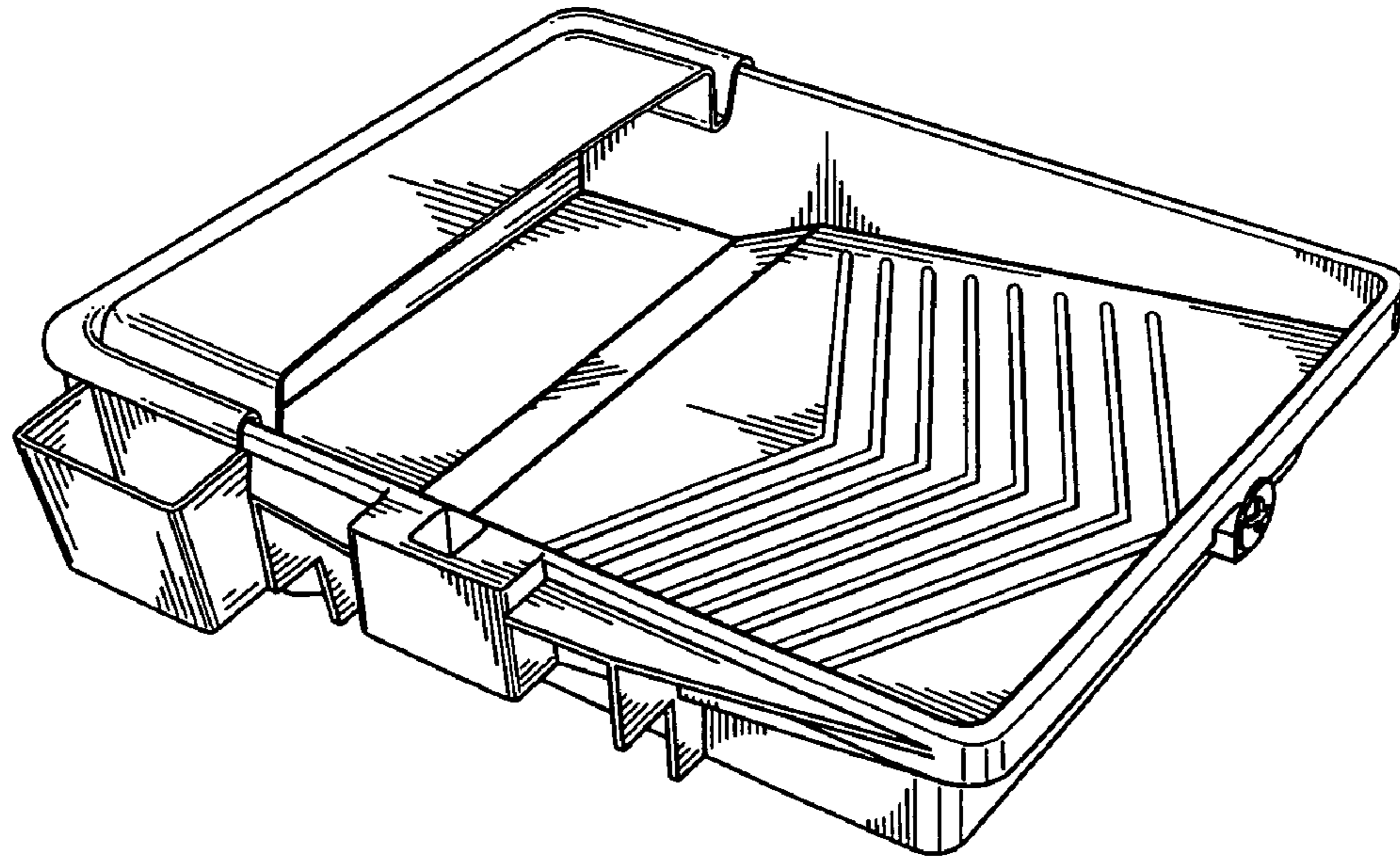


FIG. 15

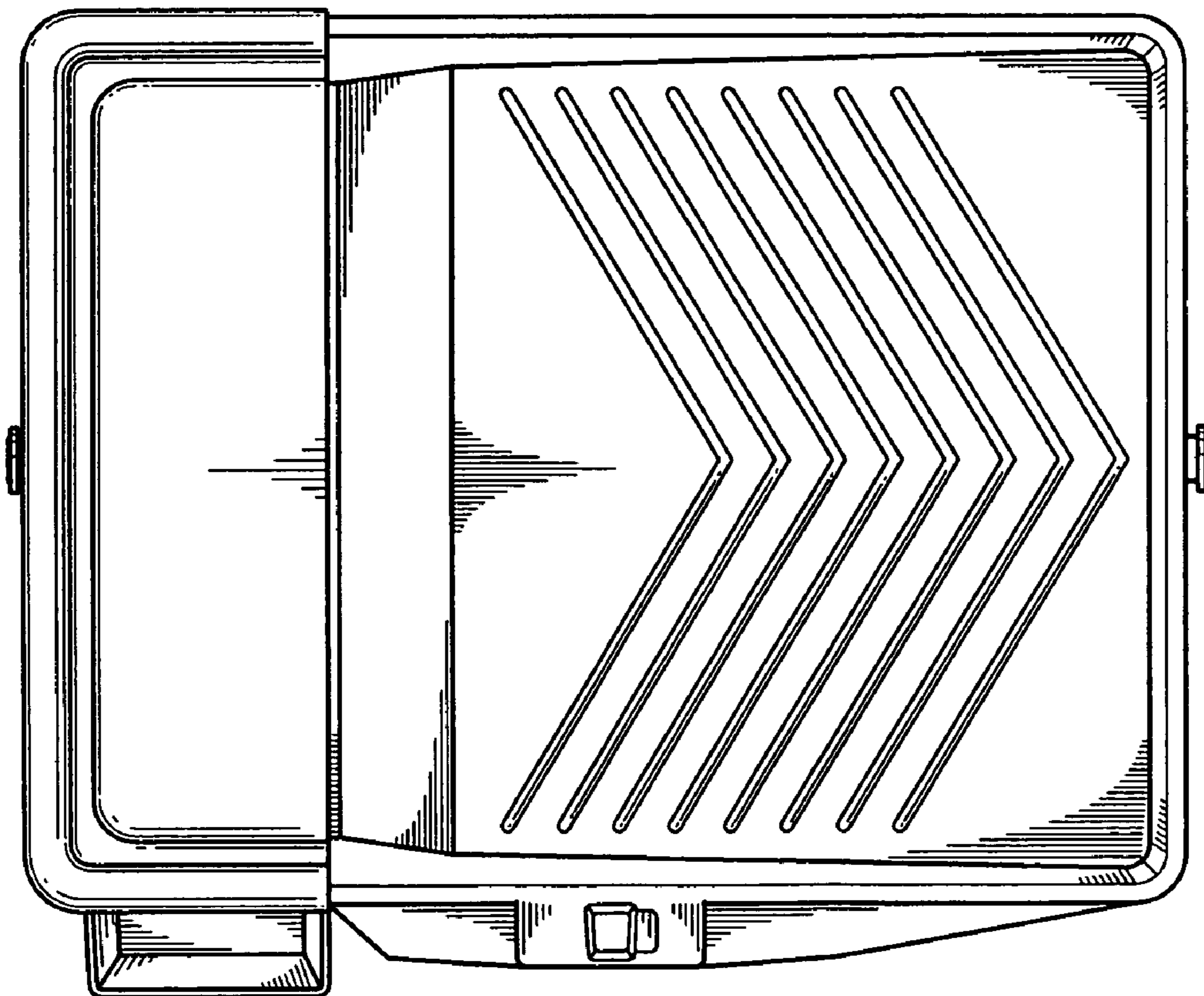


FIG. 16

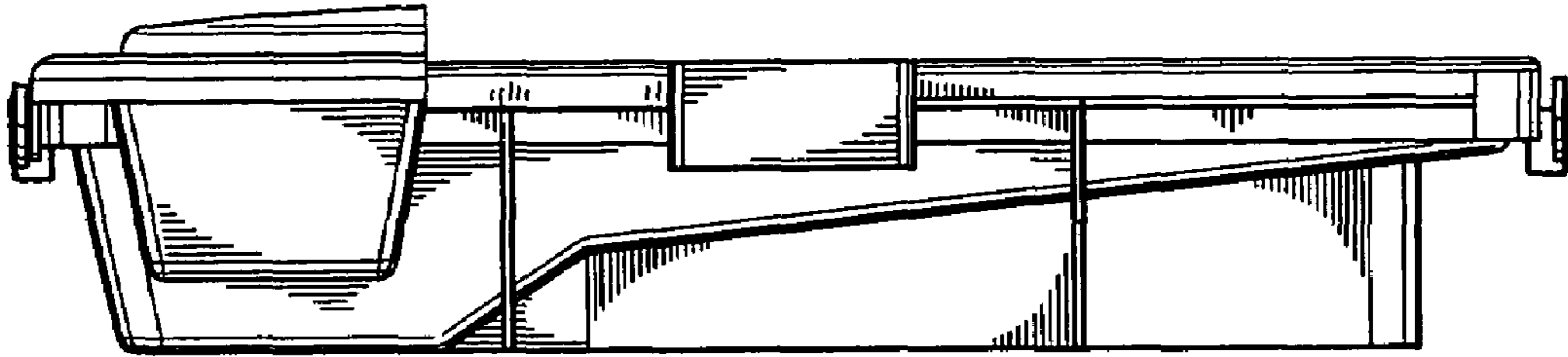


FIG. 17



FIG. 18

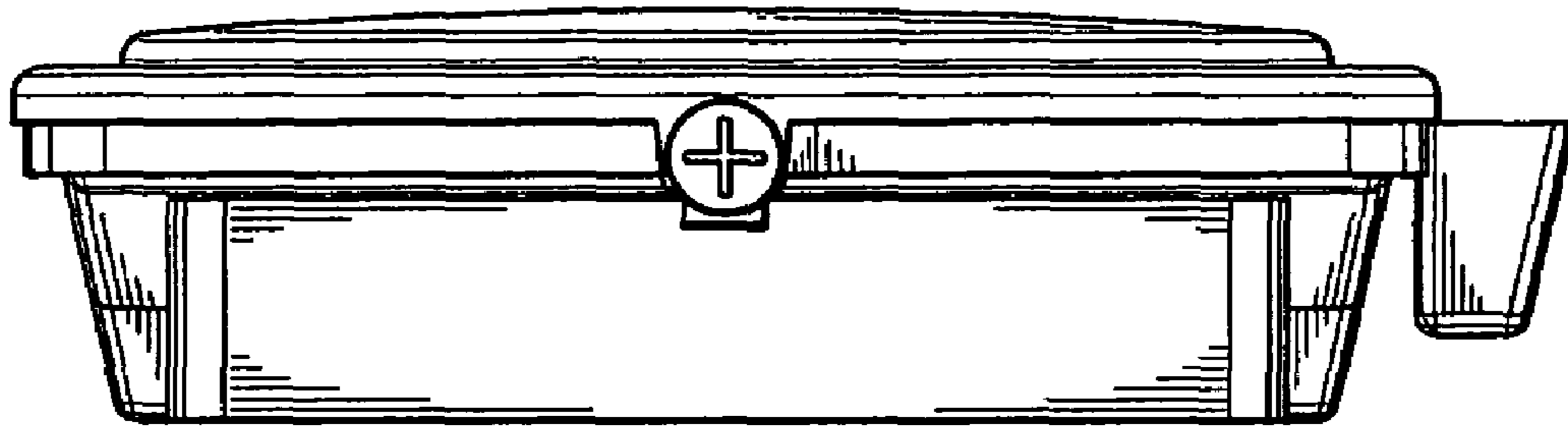


FIG. 19

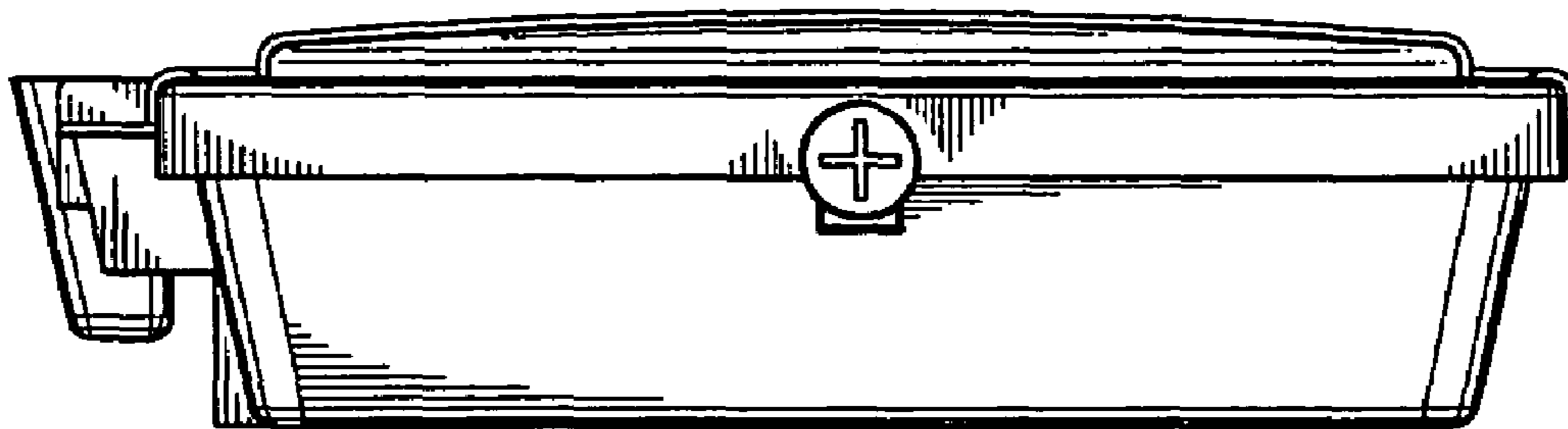


FIG. 20

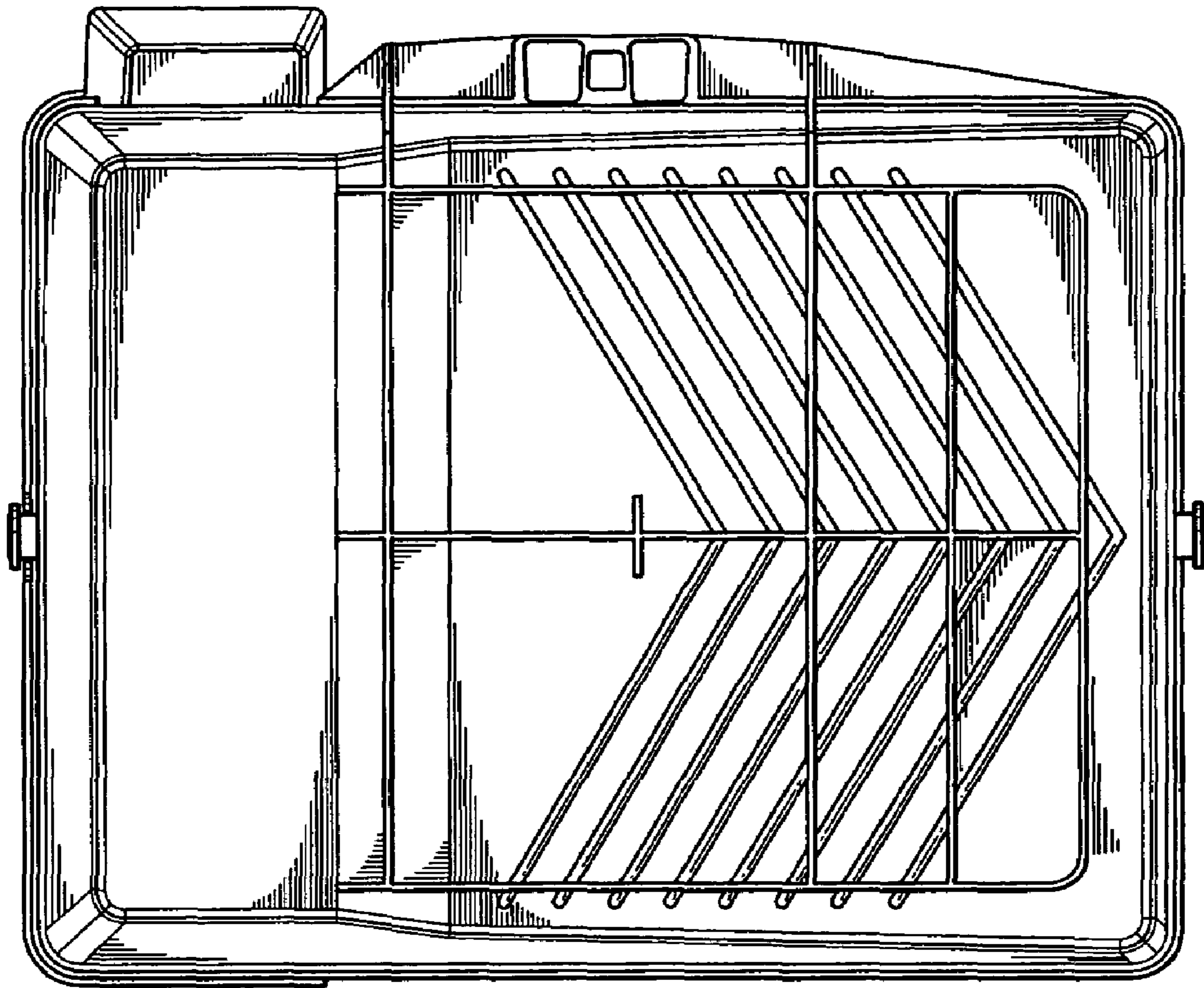


FIG. 21