



US00D571965S

(12) **United States Design Patent**  
**Tullney**

(10) **Patent No.:** **US D571,965 S**  
(45) **Date of Patent:** **\*\* Jun. 24, 2008**

(54) **DEVICE FOR REMOVING WALLPAPER**

(75) Inventor: **Heiko Tullney**, Hamburg (DE)

(73) Assignee: **J. Wagner GmbH**, Markdorf (DE)

(\*\*) Term: **14 Years**

(21) Appl. No.: **29/258,534**

(22) Filed: **Apr. 24, 2006**

(30) **Foreign Application Priority Data**

Oct. 25, 2005 (EM) ..... 000422480

(51) **LOC (8) Cl.** ..... **15-05**

(52) **U.S. Cl.** ..... **D32/15**

(58) **Field of Classification Search** ..... D32/17-18,  
D32/21-22, 31, 71, 73, 15, 48; D8/29.1,  
D8/62, 90, 98; 68/222, 5 A, 5 C, 6, 50; 15/320-322,  
15/339, 344, 401, 353, 415.1, 416-422.1,  
15/236.01; 392/403-406, 379, 324, 394;  
38/14, 69, 77.5, 77.6, 96, 141-142; 34/622;  
223/51, 70; 219/211; 239/538; 126/271.1;  
156/584, 344

See application file for complete search history.

(56) **References Cited**

**U.S. PATENT DOCUMENTS**

4,790,045 A \* 12/1988 Doherty ..... 15/236.01  
D371,648 S \* 7/1996 Zimmermann et al. .... D32/15  
5,643,403 A \* 7/1997 Poole et al. .... 156/584  
D496,504 S \* 9/2004 Peters ..... D32/24

\* cited by examiner

*Primary Examiner*—Ruth McInroy

(74) *Attorney, Agent, or Firm*—Pandiscio & Pandiscio

(57) **CLAIM**

The ornamental design for a device for removing wallpaper, as shown and described.

**DESCRIPTION**

FIG. 1 is a perspective view of a device for removing wallpaper, showing my new design;

FIG. 2 is a perspective view of a body portion of the device;

FIG. 3 is a left side elevational view of the body portion;

FIG. 4 is a right side elevational view of the body portion;

FIG. 5 is a front elevational view of the body portion;

FIG. 6 is a rear elevational view of the body portion;

FIG. 7 is a top plan view of the body portion;

FIG. 8 is a bottom plan view of the body portion;

FIG. 9 is a perspective view of a head portion of the device;

FIG. 10 is a left side elevational view of the head portion;

FIG. 11 is a right side elevational view of the head portion;

FIG. 12 is a front elevational view of the head portion;

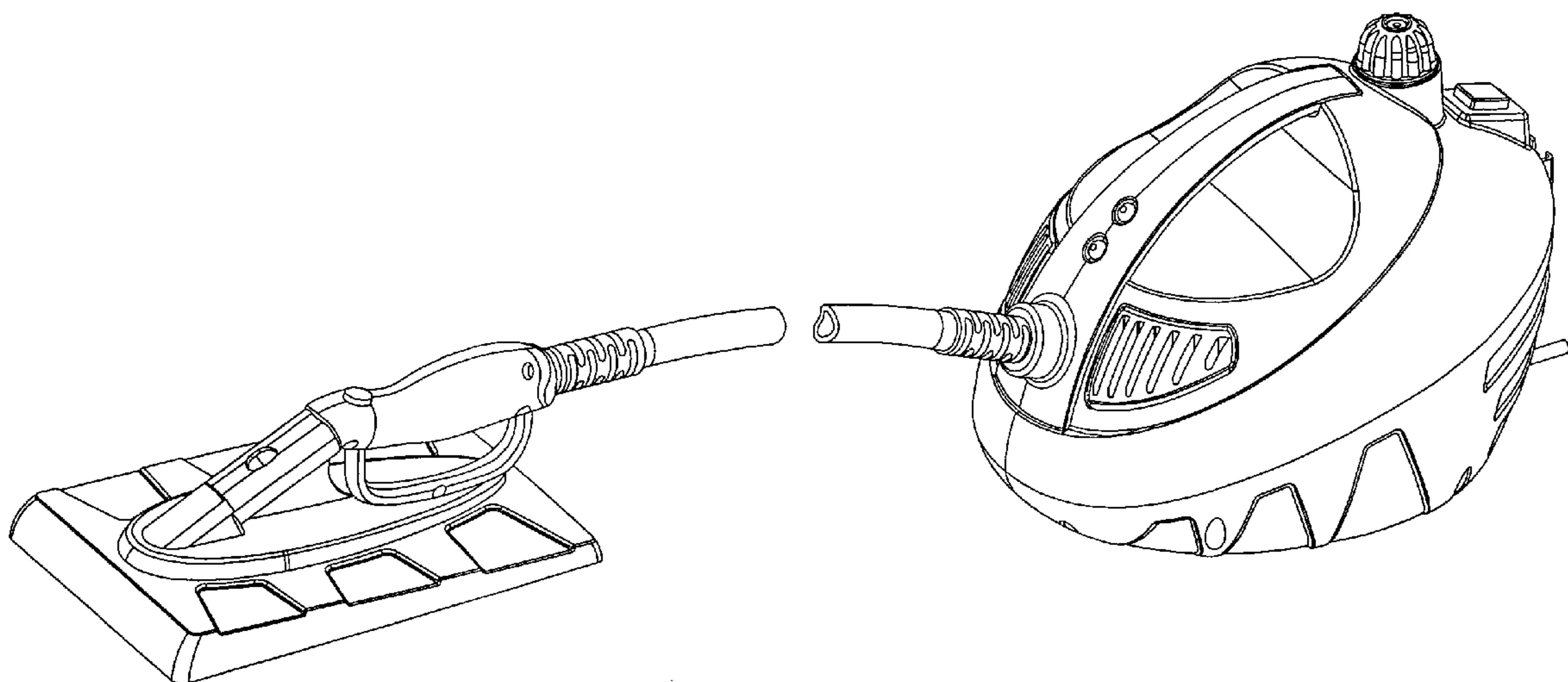
FIG. 13 is a rear elevational view of the head portion;

FIG. 14 is a top plan view of the head portion; and,

FIG. 15 is a bottom plan view of the head portion.

The body and head are shown separate in FIGS. 2-15 for clarity of illustration. The claim is directed to the entire article shown in FIG. 1.

**1 Claim, 15 Drawing Sheets**



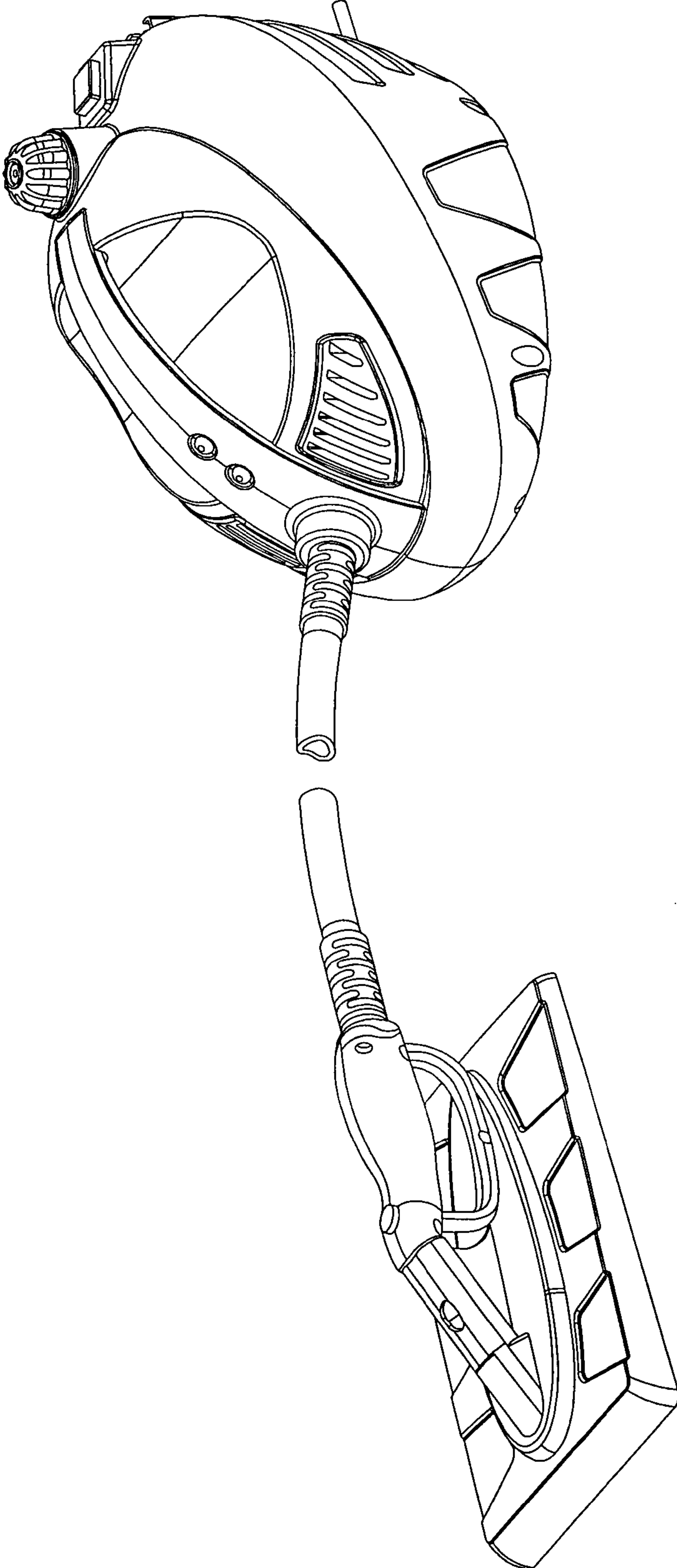


FIG. 1

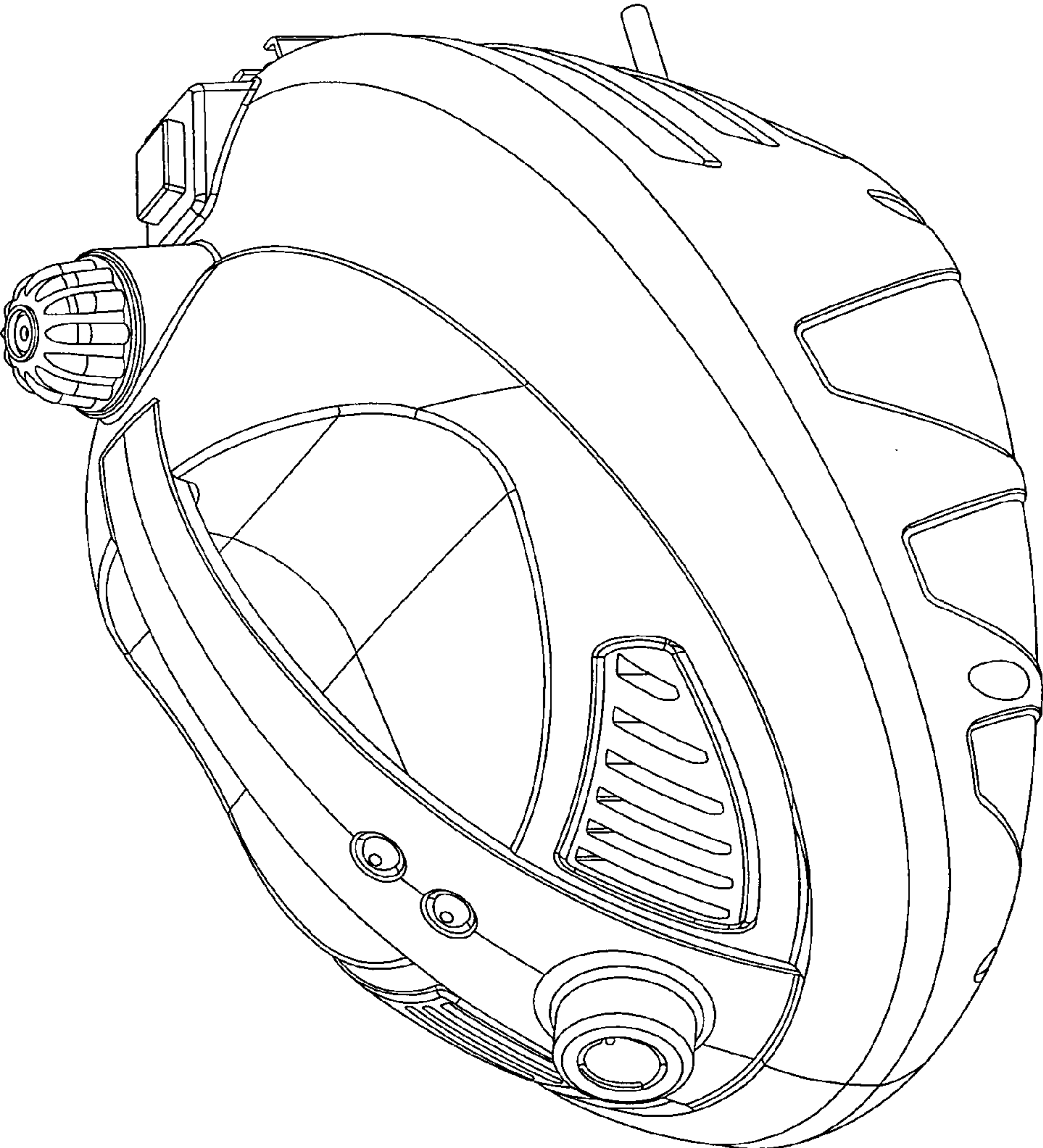


FIG. 2



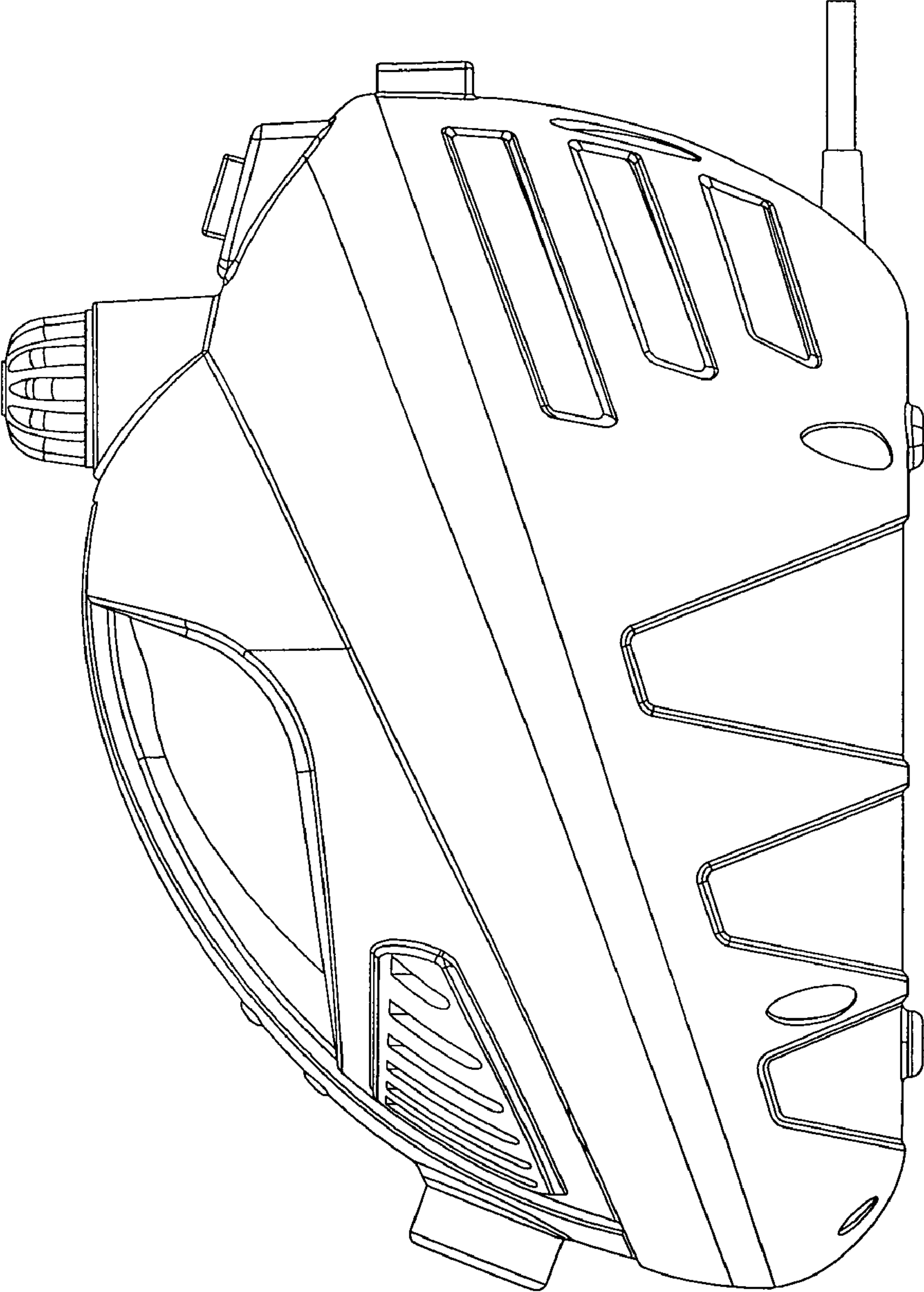


FIG. 3

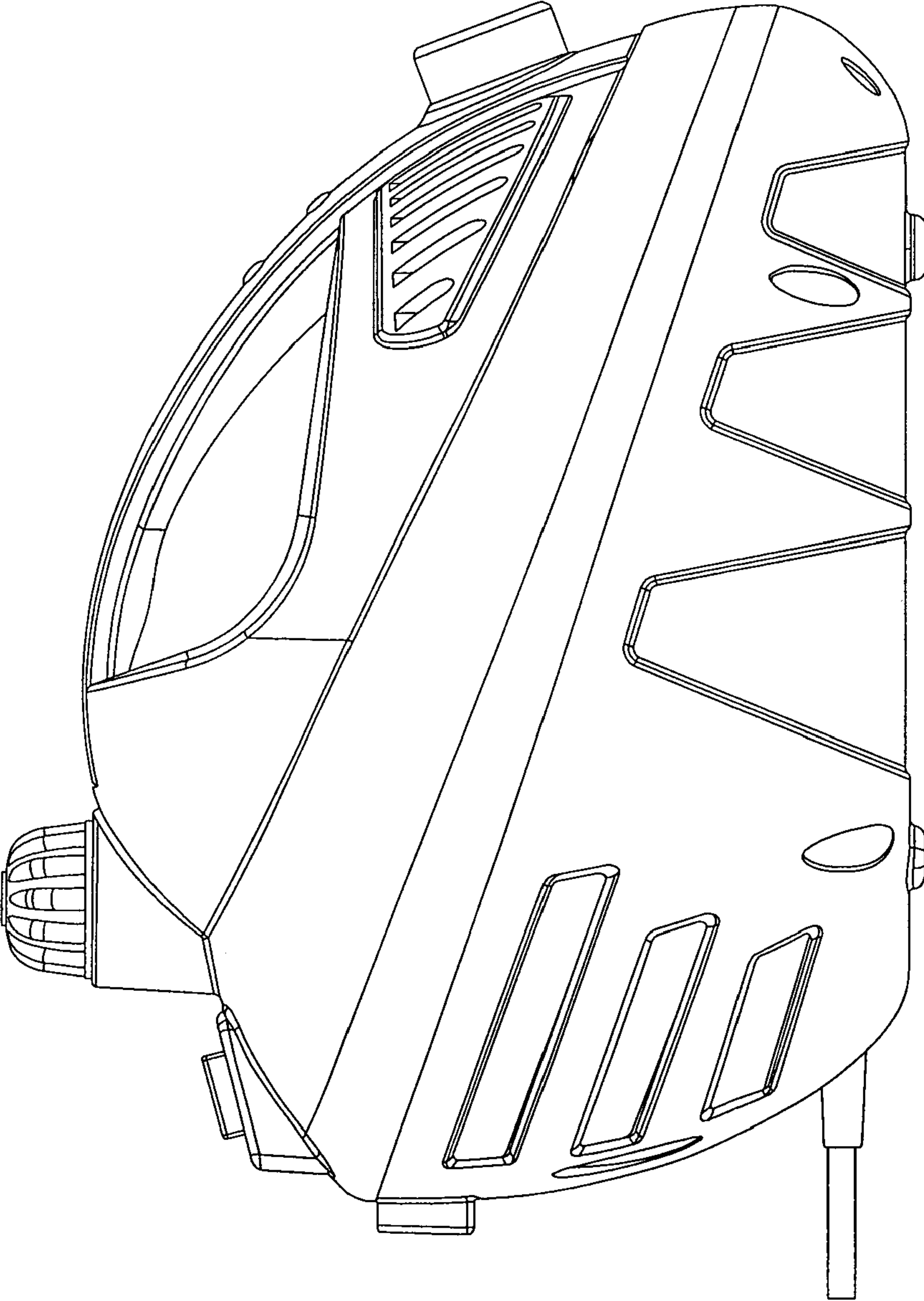


FIG. 4

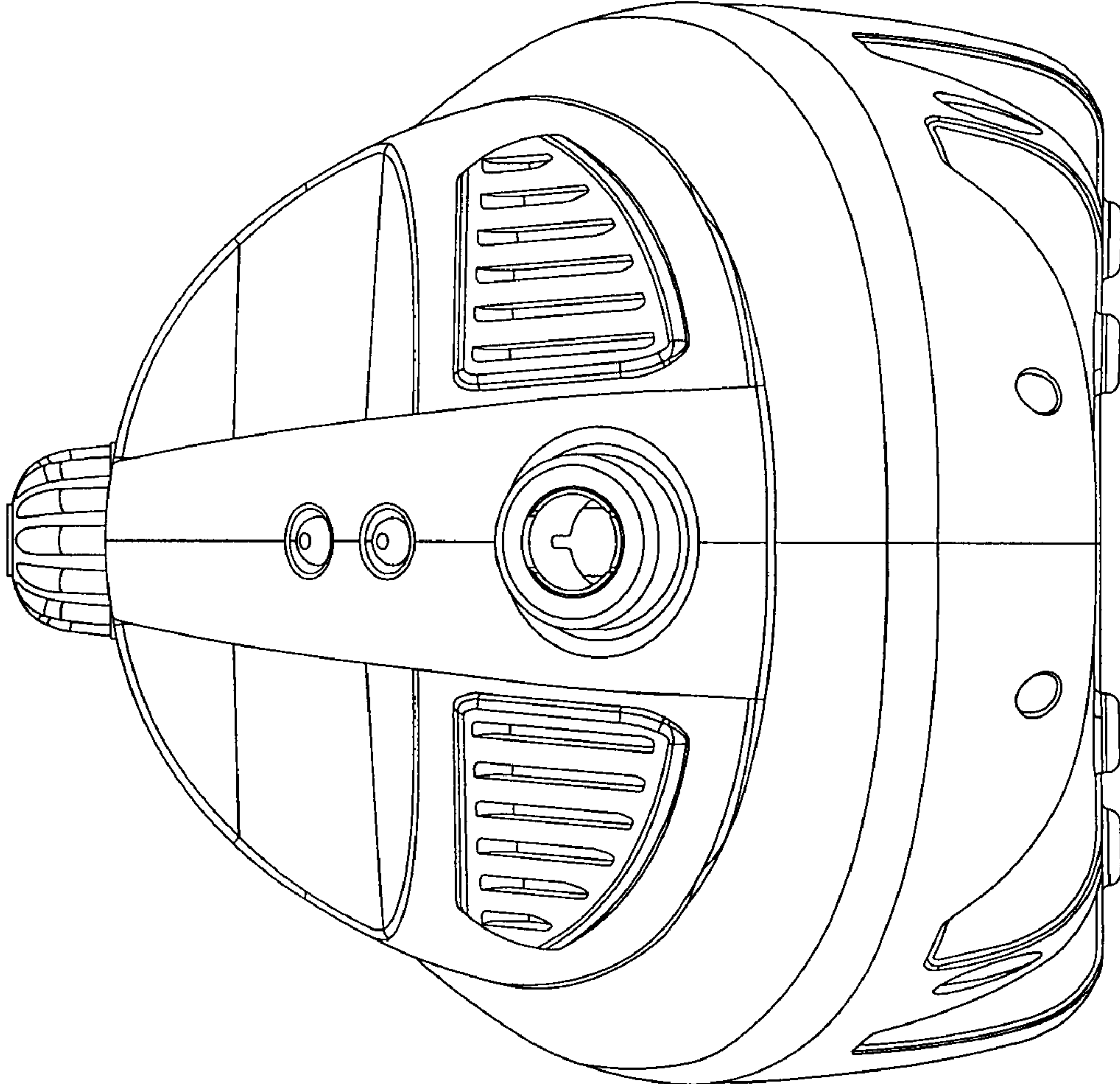


FIG. 5

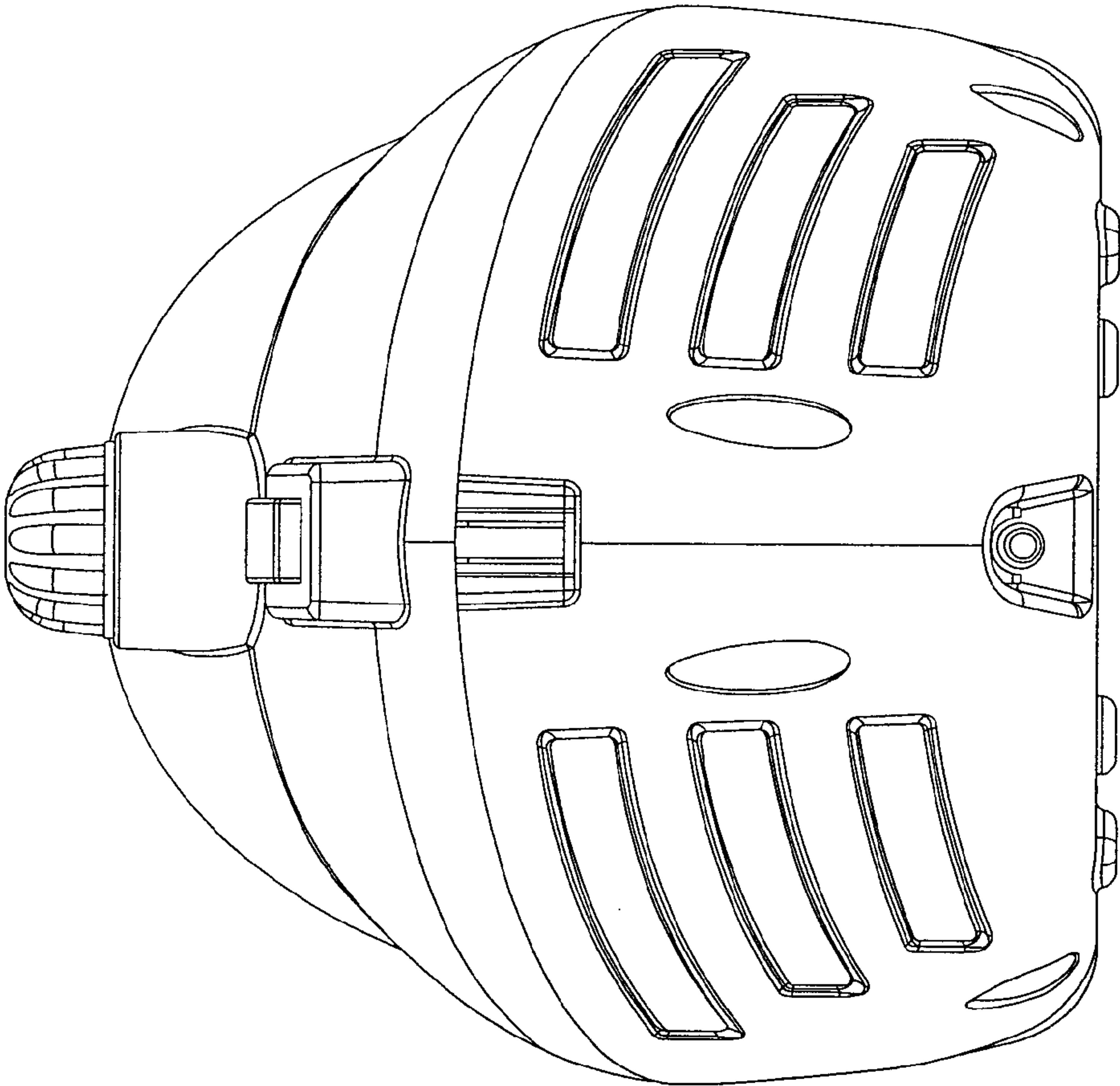


FIG. 6

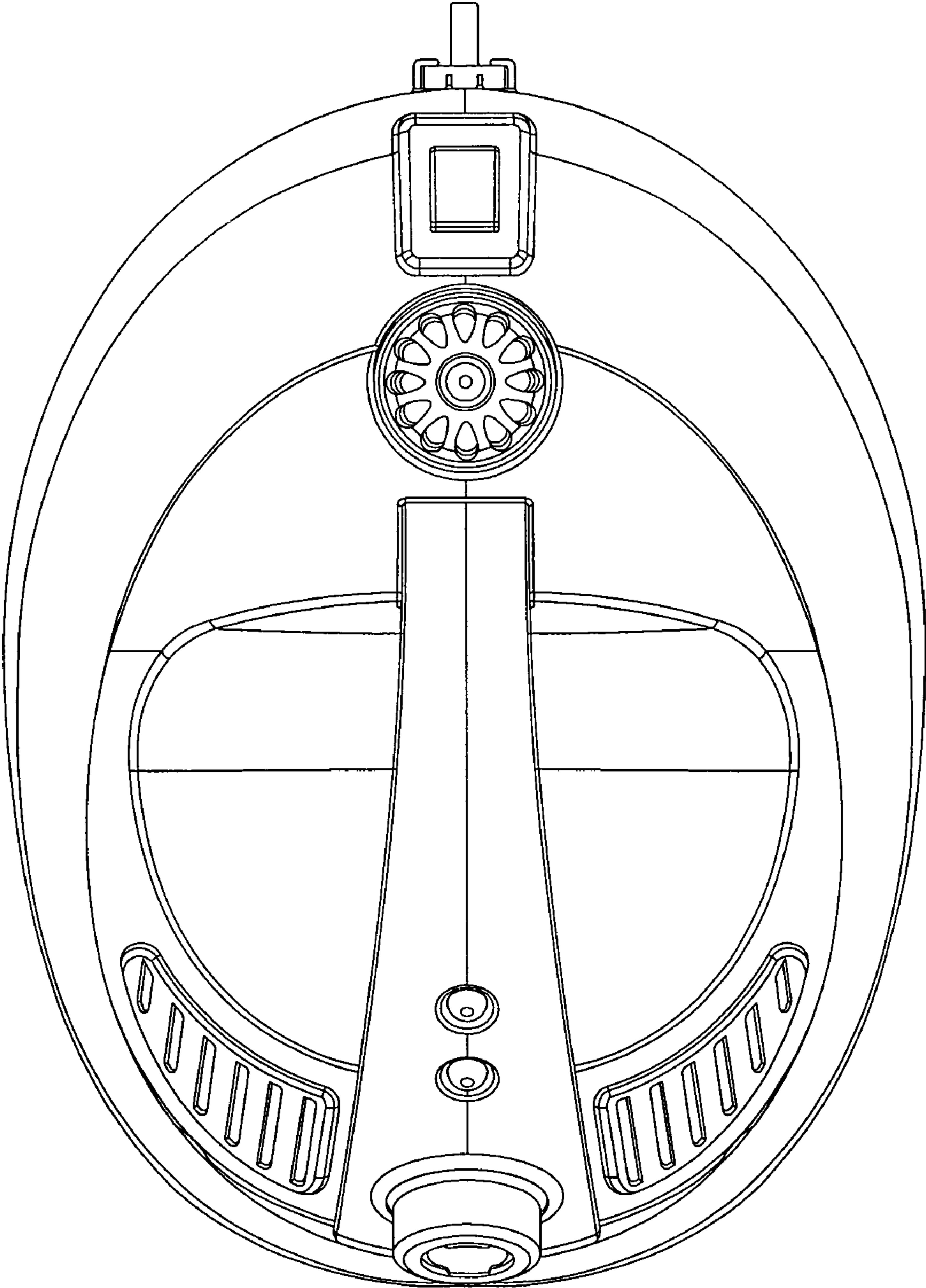


FIG. 7



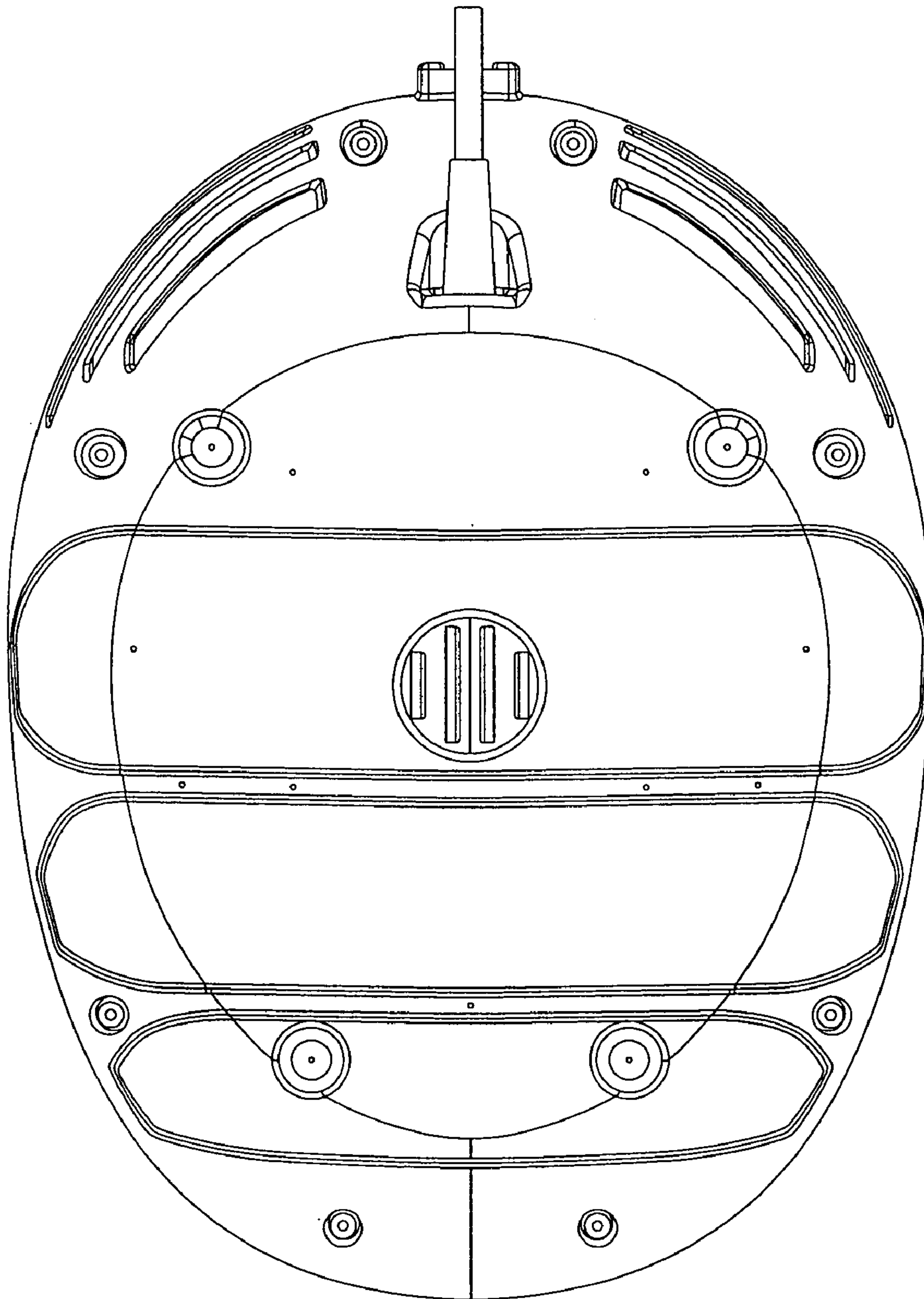


FIG. 8

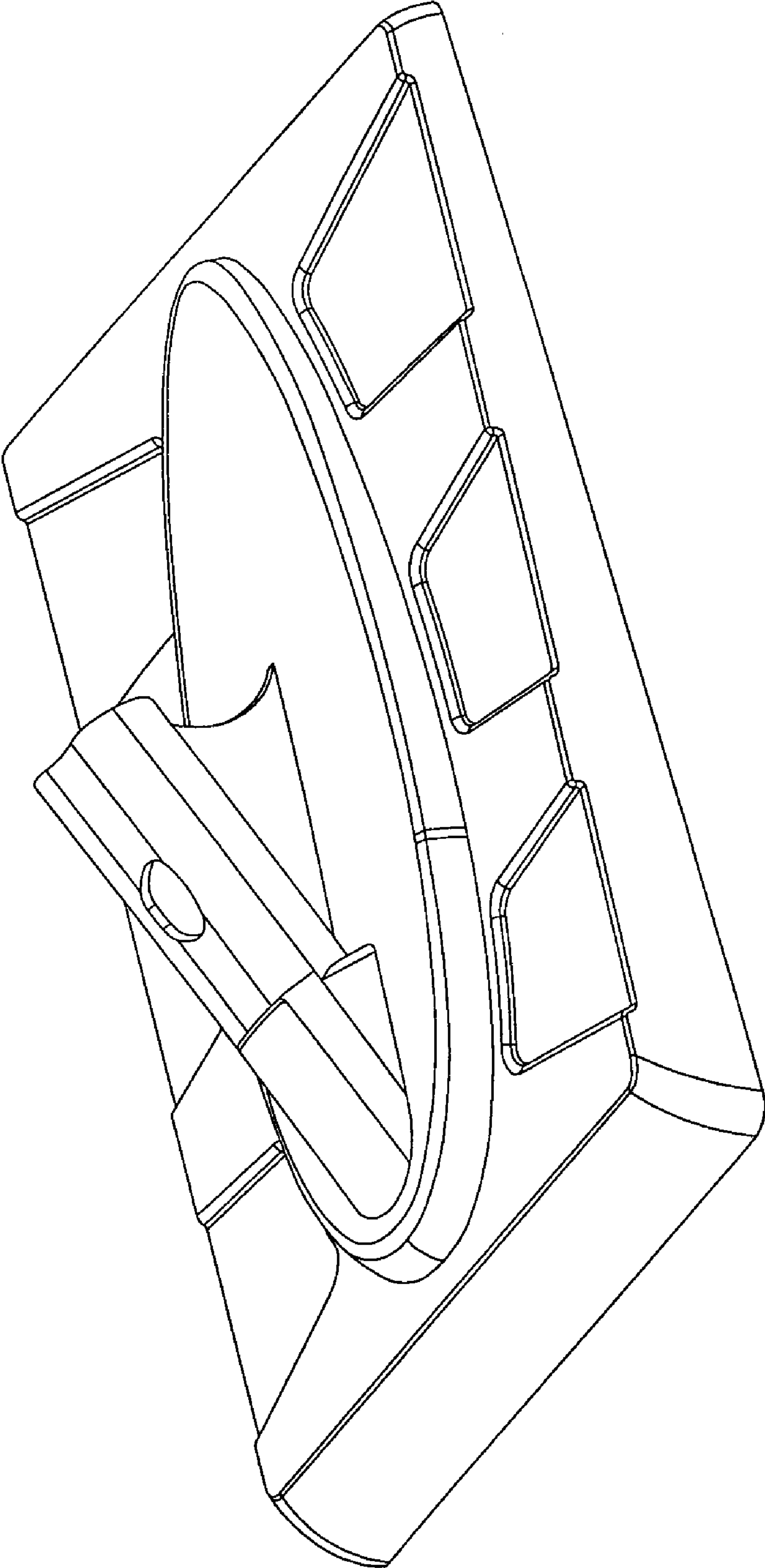


FIG. 9

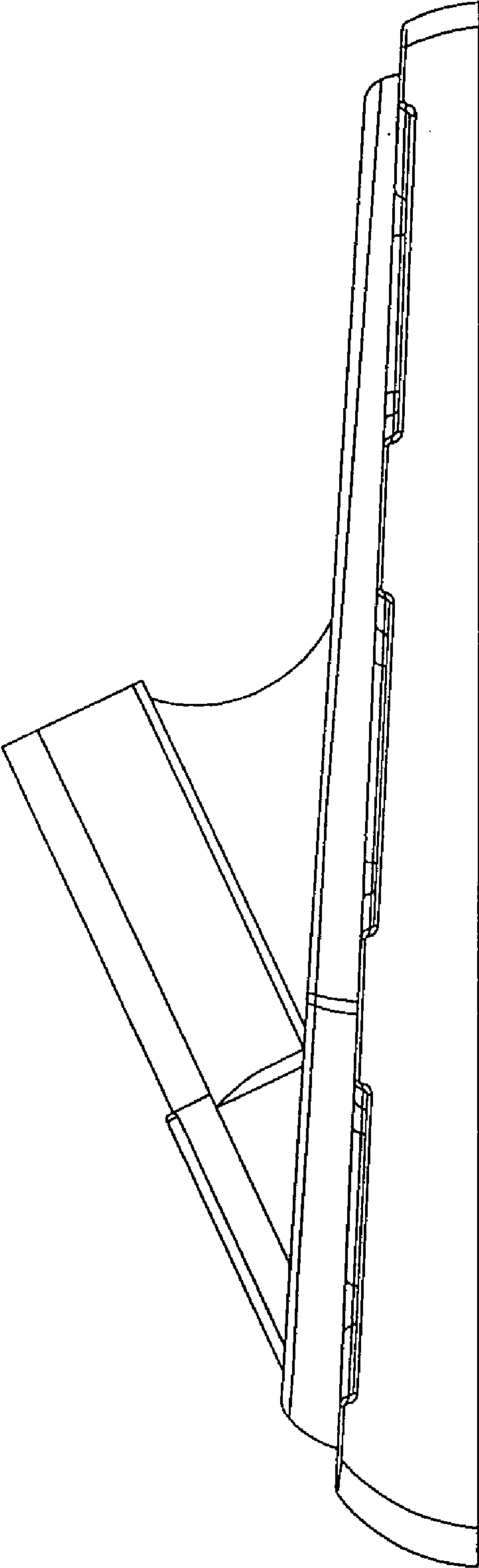


FIG. 10

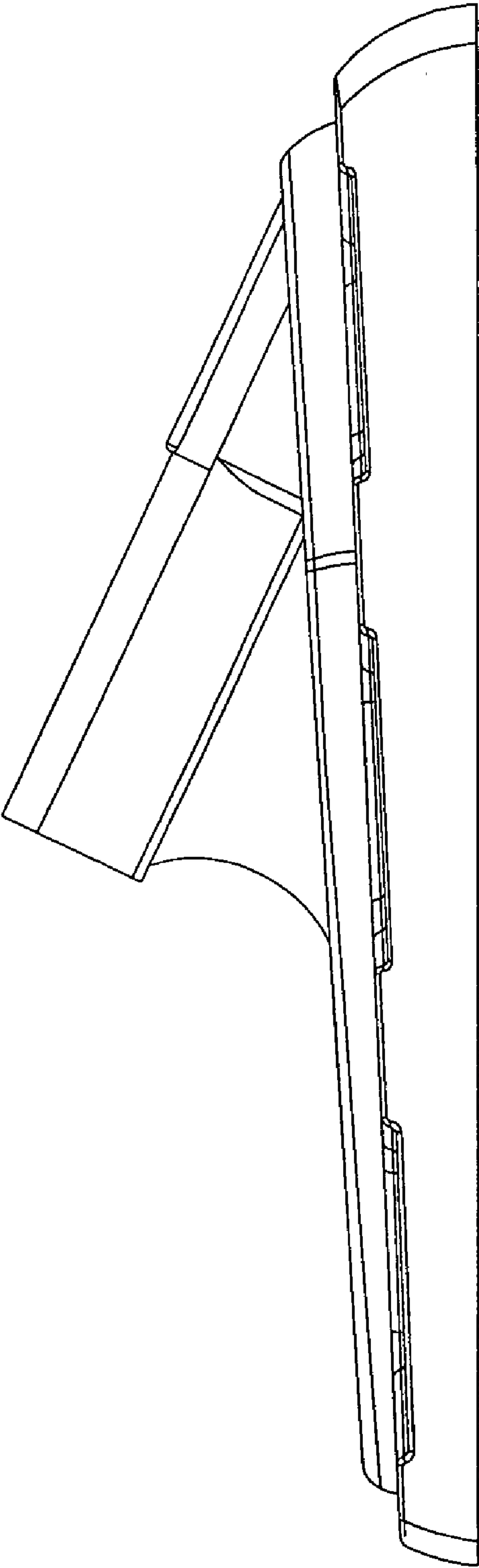


FIG. 11



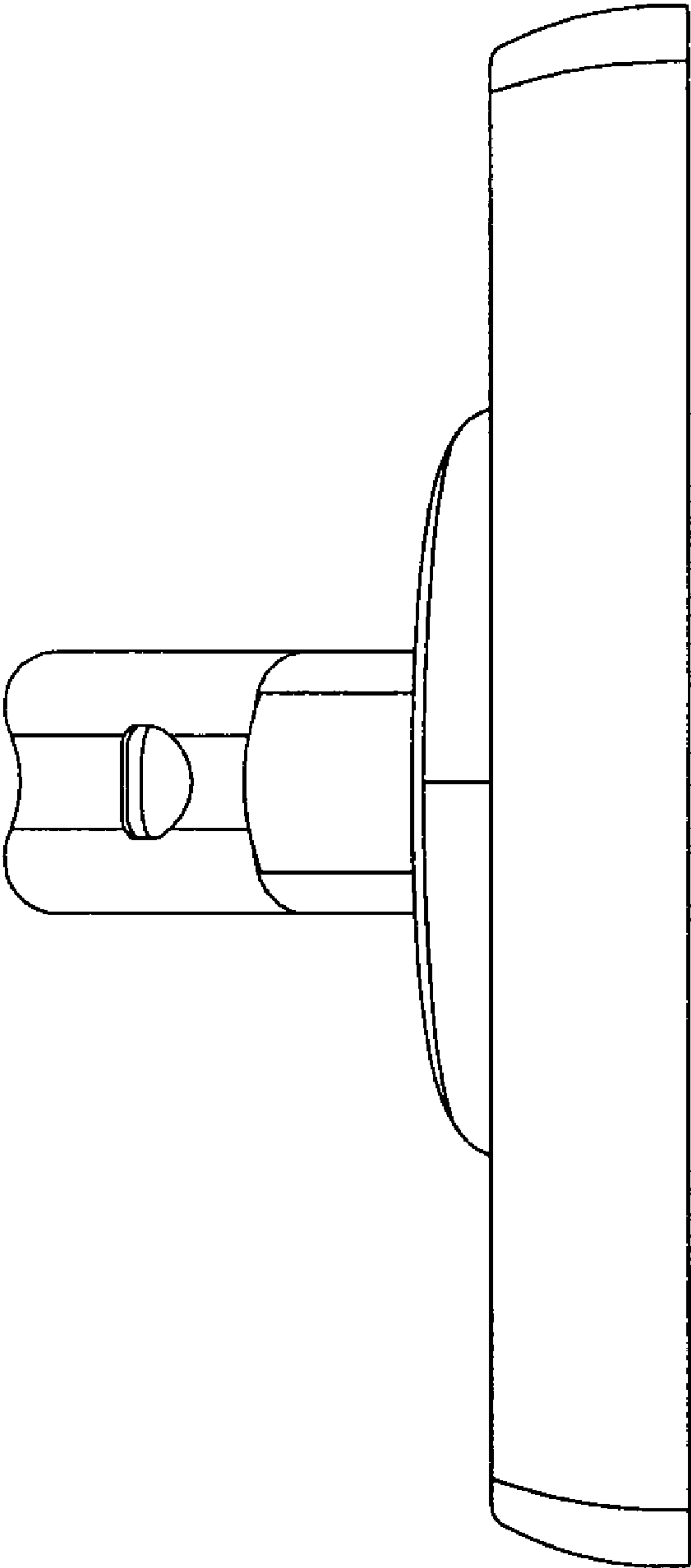


FIG. 12

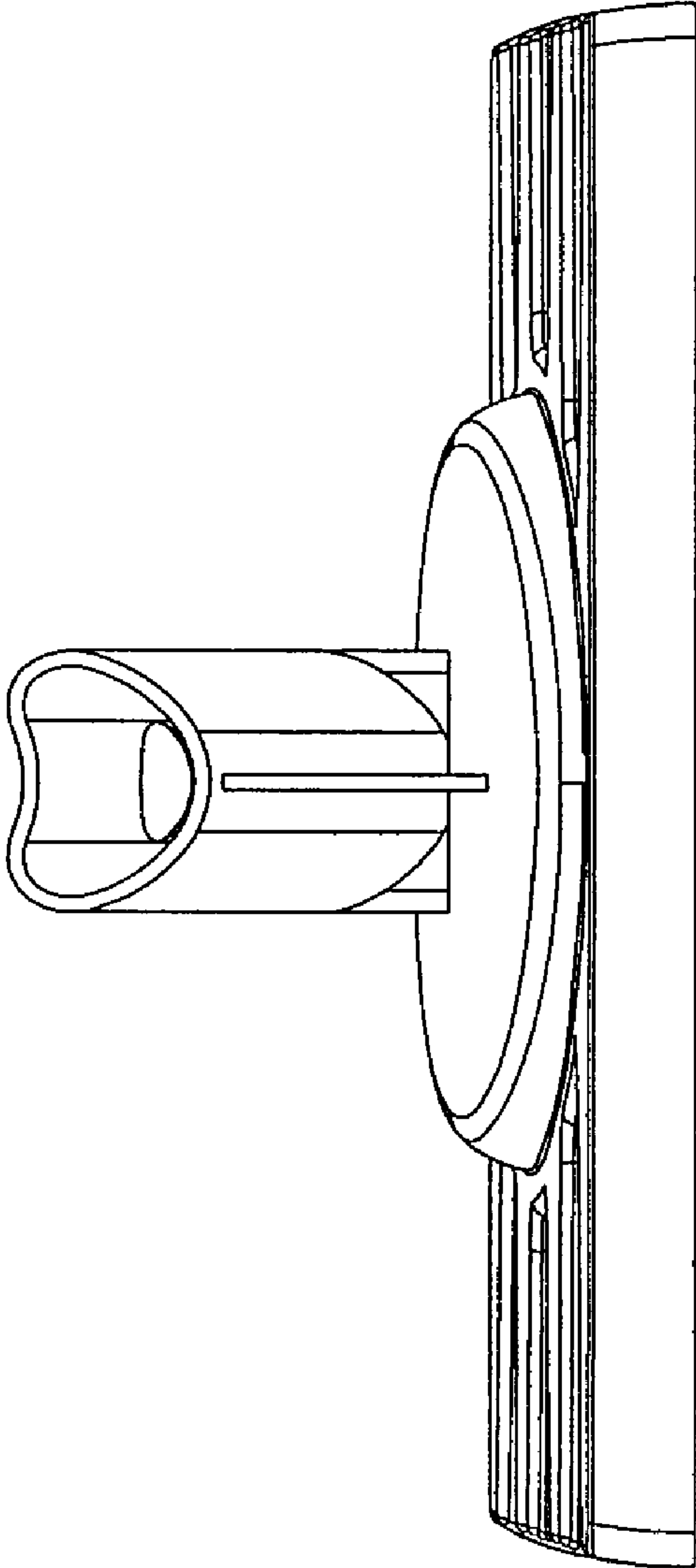


FIG. 13

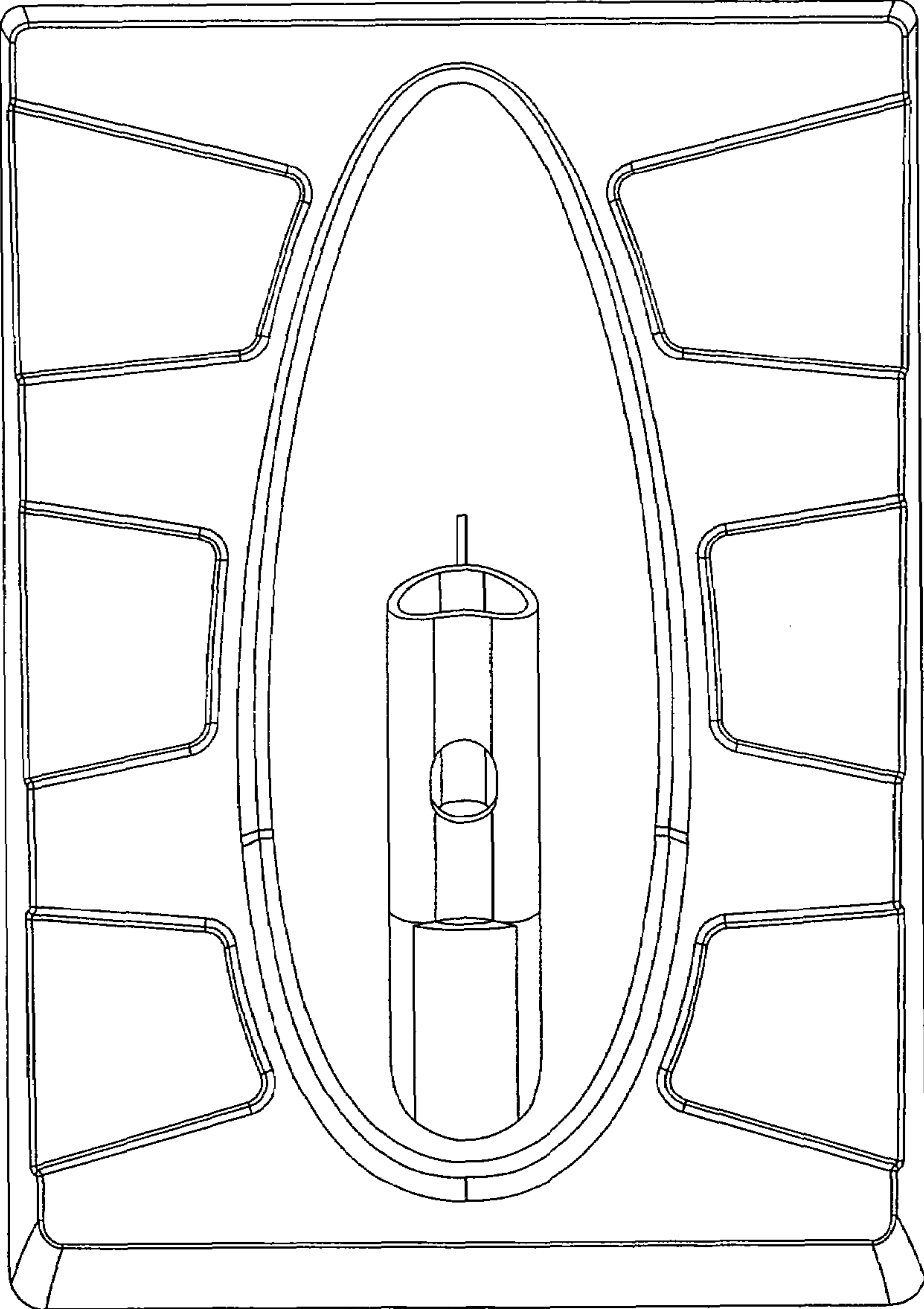


FIG. 14

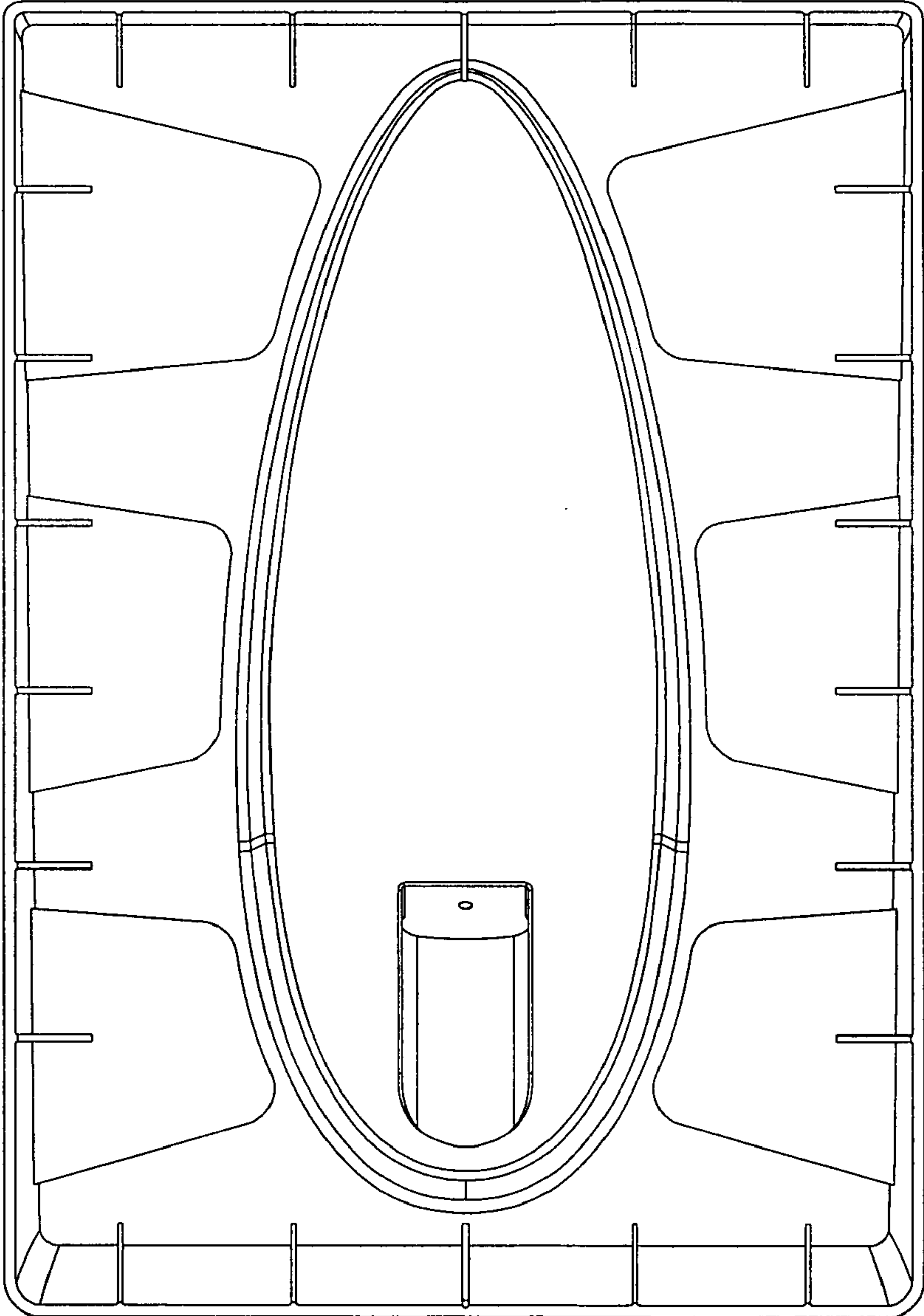


FIG. 15