



US00D571961S

(12) **United States Design Patent**  
**Nguyen**

(10) **Patent No.:** **US D571,961 S**  
(45) **Date of Patent:** **\*\* Jun. 24, 2008**

(54) **PEDICURE SPA**

(76) Inventor: **Hung Van Nguyen**, 312 Heatherbrook Dr., Murphy, TX (US) 75094

(\*\*) Term: **14 Years**

(21) Appl. No.: **29/276,628**

(22) Filed: **Jan. 31, 2007**

(51) **LOC (8) Cl.** ..... **28-03**

(52) **U.S. Cl.** ..... **D28/56; D24/205**

(58) **Field of Classification Search** ..... 4/541.1-541.6,  
4/546, 574.1, 622; D28/9, 56, 57, 61; D24/204,  
D24/205

See application file for complete search history.

(56) **References Cited**

**U.S. PATENT DOCUMENTS**

D412,600	S	8/1999	Oh et al.	
D429,379	S	8/2000	Kim	
D429,380	S *	8/2000	Fontier et al.	D28/56
D435,937	S	1/2001	Back et al.	
6,732,387	B1	5/2004	Waldron	
6,775,861	B1	8/2004	Devereaux et al.	
2004/0060108	A1 *	4/2004	Hoon Park	4/622
2004/0177438	A1 *	9/2004	Gruenwald et al.	4/560.1
2006/0101572	A1 *	5/2006	Masuda	4/541.5
2006/0242760	A1 *	11/2006	Chao	4/622
2006/0288479	A1	12/2006	Chang	

**OTHER PUBLICATIONS**

Website: <http://web.archive.org/web/20030403022112/http://www.gulfstreamplastics.com>; [www.gulfstreamplastics.com](http://www.gulfstreamplastics.com); Gulfstream Plastics, Ltd., The Rainbow, archived Apr. 3, 2003, copyright 2002, printed Jun. 15, 2007, 2 pages.

Website: <http://web.archive.org/web/20030403022112/http://www.gulfstreamplastics.com>; [www.gulfstreamplastics.com](http://www.gulfstreamplastics.com); Gulfstream Plastics, Ltd., Ampro, archived Apr. 3, 2003, copyright 2002, printed Jun. 15, 2007, 2 pages.

Website: <http://web.archive.org/web/20030403022112/http://www.gulfstreamplastics.com>; [www.gulfstreamplastics.com](http://www.gulfstreamplastics.com); Gulfstream Plastics, Ltd., Eden, archived Apr. 3, 2003, copyright 2002, printed Jun. 15, 2007, 2 pages.

Website: <http://web.archive.org/web/20030403022112/http://www.gulfstreamplastics.com>; [www.gulfstreamplastics.com](http://www.gulfstreamplastics.com); Gulfstream Plastics, Ltd., Deluxe, archived Apr. 3, 2003, copyright 2002, printed Jun. 15, 2007, 2 pages.

Website: <http://web.archive.org/web/20030403022112/http://www.gulfstreamplastics.com>; [www.gulfstreamplastics.com](http://www.gulfstreamplastics.com); Gulfstream Plastics, Ltd., Zen Spa, archived Apr. 3, 2003, copyright 2002, printed Jun. 15, 2007, 2 pages.

Website: <http://web.archive.org/web/20030403022112/http://www.gulfstreamplastics.com>; [www.gulfstreamplastics.com](http://www.gulfstreamplastics.com); Gulfstream Plastics, Ltd., Pro, archived Apr. 3, 2003, copyright 2002, printed Jun. 15, 2007, 2 pages.

Website: <http://web.archive.org/web/20030403022112/http://www.gulfstreamplastics.com>; [www.gulfstreamplastics.com](http://www.gulfstreamplastics.com); Gulfstream Plastics, Ltd., Queen, archived Apr. 3, 2003, copyright 2002, printed Jun. 15, 2007, 2 pages.

Website: <http://web.archive.org/web/20040826081604/http://www.gulfstreamplastics.com/>, [www.gulfstreamplastics.com](http://www.gulfstreamplastics.com), Gulfstream Plastics, Ltd., LaFleur Spas, archived Aug. 26, 2004, printed Jun. 15, 2007, 1 page.

Website: <http://www.gulfstreamplastics.com/>, Gulfstream Plastics, Ltd., LaFleur Spas, copyright 2006, printed May 22, 2007, 5 pages.

(Continued)

*Primary Examiner*—Jennifer Rivard

(57) **CLAIM**

The ornamental design for a pedicure spa, as shown and described.

**DESCRIPTION**

FIG. 1 is a perspective view of a pedicure spa showing my new design;

FIG. 2 is a side view of a first side thereof, and the opposite side is a mirror image of the side view shown in FIG. 2;

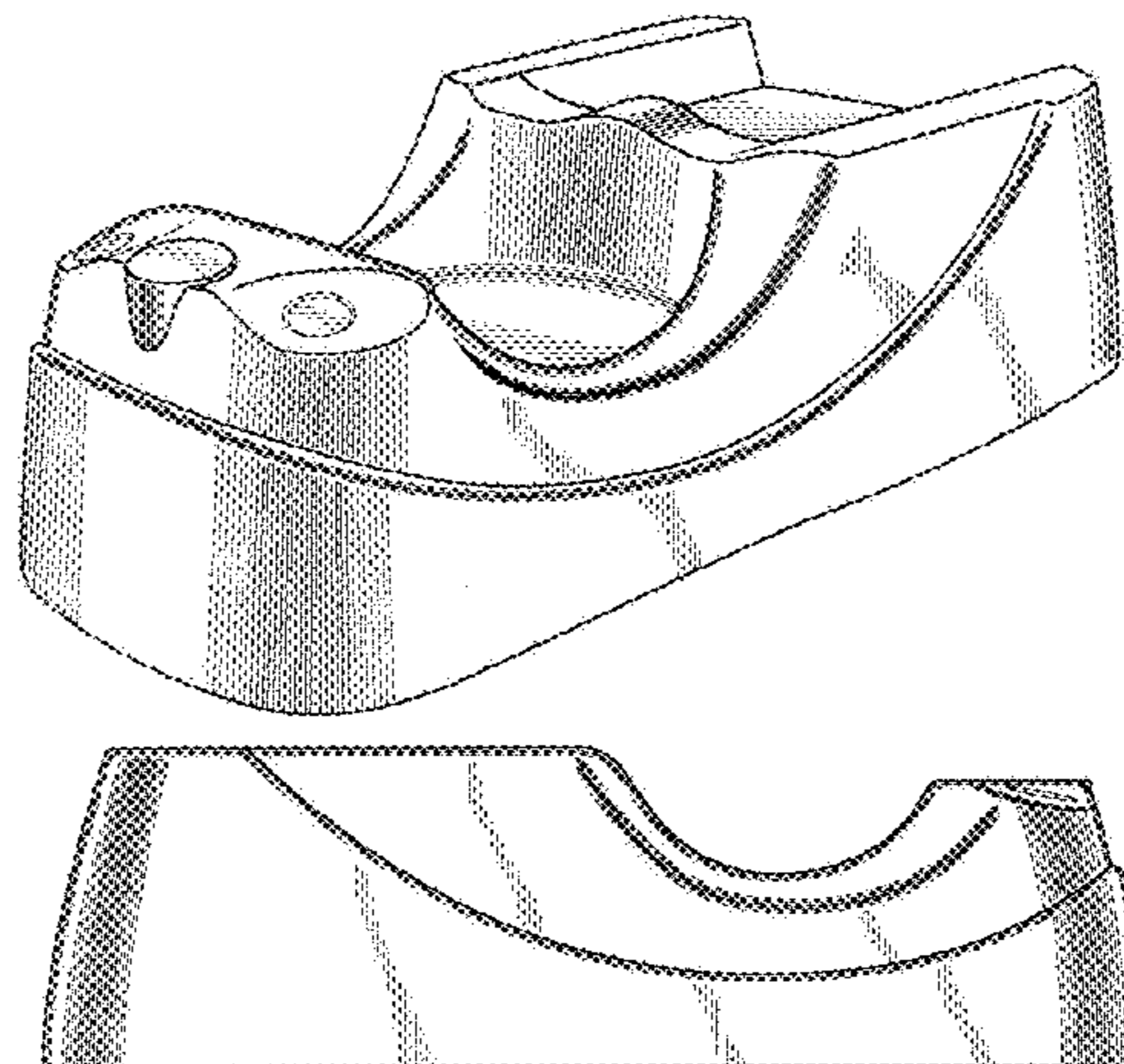
FIG. 3 is a top view thereof;

FIG. 4 is a back view thereof; and,

FIG. 5 is a front view thereof.

The bottom does not form part of the claimed design.

**1 Claim, 2 Drawing Sheets**



## OTHER PUBLICATIONS

Website: <http://www.gulfstreamplastics.com/>, Gulfstream Plastics, Ltd., LaTulip, printed May 22, 2007, 1 page.

Website: <http://www.gulfstreamplastics.com/>, Gulfstream Plastics, Ltd., La Rose Spas, copyright 2006, printed May 22, 2007, 2 pages.

Website: <http://www.gulfstreamplastics.com/>, Gulfstream Plastics, Ltd., La Lili, copyright 2006, printed May 22, 2007, 2 pages.

Website: <http://web.archive.org/web/20030208030016/http://amerispa.com/main.html>, [www.amerispa.com/main.html](http://www.amerispa.com/main.html), AmeriSpa, LLC, Legend AMS-500D, archived Feb. 8, 2003, copyright 2002, printed Jun. 15, 2007, 5 pages.

Website: <http://www.amerispa.com/main.html>, AmeriSpa, LLC, SpaMate legend AMS-500D, copyright 1996-2004, printed May 22, 2007, 13 pages.

Website: <http://web.archive.org/web/20040707064345/http://www.amerispa.com/main.html>, [www.amerispa.com/main.html](http://www.amerispa.com/main.html), AmeriSpa, LLC, SpaMate Legend AMS-400D, archived Jul. 7, 2004, copyright 1996-2004, printed Jun. 15, 2007, 1 page.

Website: <http://www.amerispa.com/main.html>, AmeriSpa, LLC, SpaMate Legend AMS-400D, copyright 1996-2004, printed May 22, 2007, 6 pages.

Website: <http://web.archive.org/web/20040610104846/http://amerispa.com/main.html>, [www.amerispa.com/main.html](http://www.amerispa.com/main.html), AmeriSpa, LLC, SpaMate AMS-300D Platinum Series, archived Jun. 10, 2004, copyright 2002, printed Jun. 15, 2007, 1 page.

Website: <http://www.kmxproducts.com>, KMX Ltd., The Allay S-650, copyright 2007, printed May 22, 2007, 1 page.

Website: <http://www.kmxproducts.com>, KMX Ltd., The Allay S-550, copyright 2007, printed May 22, 2007, 1 page.

Website: <http://www.kmxproducts.com>, KMX Ltd., The Allay S-320, copyright 2007, printed May 22, 2007, 1 page.

Website: <http://www.kmxproducts.com>, KMX Ltd., The Hummer S-650, copyright 2007, printed May 22, 2007, 1 page.

Website: <http://www.kmxproducts.com>, KMX Ltd., The Hummer S-550, copyright 2007, printed May 22, 2007, 1 page.

Website: <http://www.kmxproducts.com>, KMX Ltd., The Hummer S-320, copyright 2007, printed May 22, 2007, 1 page.

Website: <http://www.kmxproducts.com>, KMX Ltd., Granite S-620, copyright 2007, printed May 22, 2007, 1 page.

Website: <http://www.kmxproducts.com>, KMX Ltd., Granite S-550, copyright 2007, printed May 22, 2007, 1 page.

Website: <http://www.kmxproducts.com>, KMX Ltd., Granite S-320, copyright 2007, printed May 22, 2007, 1 page.

Website: <http://www.kmxproducts.com>, KMX Ltd., The Five Stars S-650, copyright 2007, printed May 22, 2007, 1 page.

Website: <http://www.kmxproducts.com>, KMX Ltd., The Five Stars S-550, copyright 2007, printed May 22, 2007, 1 page.

Website: <http://www.kmxproducts.com>, KMX Ltd., The Five Stars S-320, copyright 2007, printed May 22, 2007, 1 page.

Website: <http://jausainc.com/>, J&A USA, Inc., Petra 700, copyright 2006, printed May 22, 2007, 2 pages.

Website: <http://jausainc.com/>, J&A USA, Inc., Petra 500, copyright 2006, printed May 22, 2007, 2 pages.

Website: <http://jausainc.com/>, J&A USA, Inc., Petra 450S, copyright 2006, printed May 22, 2007, 2 pages.

Website: <http://jausainc.com/>, J&A USA, Inc., Petra 800S, copyright 2006, printed May 22, 2007, 2 pages.

Website: <http://web.archive.org/web/20040318221320/http://www.jausainc.com>, [www.jausainc.com/](http://www.jausainc.com/), J&A USA, Inc., Episode, archived Mar. 18, 2004, copyright 2003, printed Jun. 15, 2007, 1 page.

Website: <http://jausainc.com/>, J&A USA, Inc., Episode, copyright 2006, printed May 22, 2007, 2 pages.

Website: <http://jausainc.com/>, J&A USA, Inc., Episode GS, copyright 2006, printed May 22, 2007, 2 pages.

Website: <http://jausainc.com/>, J&A USA, Inc., Toepia FM, copyright 2006, printed May 22, 2007, 2 pages.

Website: <http://web.archive.org/web/20040318221320/http://www.jausainc.com>, [www.jausainc.com](http://www.jausainc.com/), J&A USA, Inc., Toepia, archived Mar. 18, 2004, copyright 2003, printed Jun. 15, 2007, 1 page.

Website: <http://web.archive.org/web/20040318221320/http://www.jausainc.com>, [www.jausainc.com/](http://www.jausainc.com/), J&A USA, Inc., Pacific Spa (PS) 300, archived Mar. 18, 2004, copyright 2003, printed Jun. 15, 2007, 1 page.

Website: <http://jausainc.com/>, J&A USA, Inc., Pacific 300, copyright 2006, printed May 22, 2007, 2 pages.

Website: <http://jausainc.com/>, J&A USA, Inc., Pacific 350, copyright 2006, printed May 22, 2007, 2 pages.

Website: <http://web.archive.org/web/20040318221320/http://www.jausainc.com>, [www.jausainc.com/](http://www.jausainc.com/), J&A USA, Inc., Pacific Spa (PS) 400, archived Mar. 18, 2004, copyright 2003, printed Jun. 15, 2007, 1 page.

Website: <http://web.archive.org/web/20040318221320/http://www.jausainc.com>, [www.jausainc.com/](http://www.jausainc.com/), J&A USA, Inc., Pacific Spa (PS) 650, archived Mar. 18, 2004, copyright 2003, printed Jun. 15, 2007, 1 page.

Website: <http://jausainc.com/>, J&A USA, Inc., Pacific 750S, copyright 2006, printed May 22, 2007, 2 pages.

Website: <http://www.t4spa.com/>, T4 Spa Concepts & Designs, LLC, t4 Pedicure Spa Use & Care Manual, copyright 2007, revised Jan. 23, 2007, printed Jun. 7, 2007, 24 pages.

Website: <http://www.t4spa.com/everest1.html>, T4 Spa Concepts & Designs, LLC, Everest I, Undated, printed Jun. 15, 2007, 1 page.

Website: <http://www.t4spa.com/everest2.html>, T4 Spa Concepts & Designs, LLC, Everest II, Undated, printed Jun. 15, 2007, 1 page.

Website: <http://www.t4spa.com/katai1.html>, T4 Spa Concepts & Designs, LLC, Katai, Undated, printed Jun. 15, 2007, 1 page.

Website: <http://www.t4spa.com/jaguar1.html>, T4 Spa Concepts & Designs, LLC, Jaguar, Undated, printed Jun. 15, 2007, 1 page.

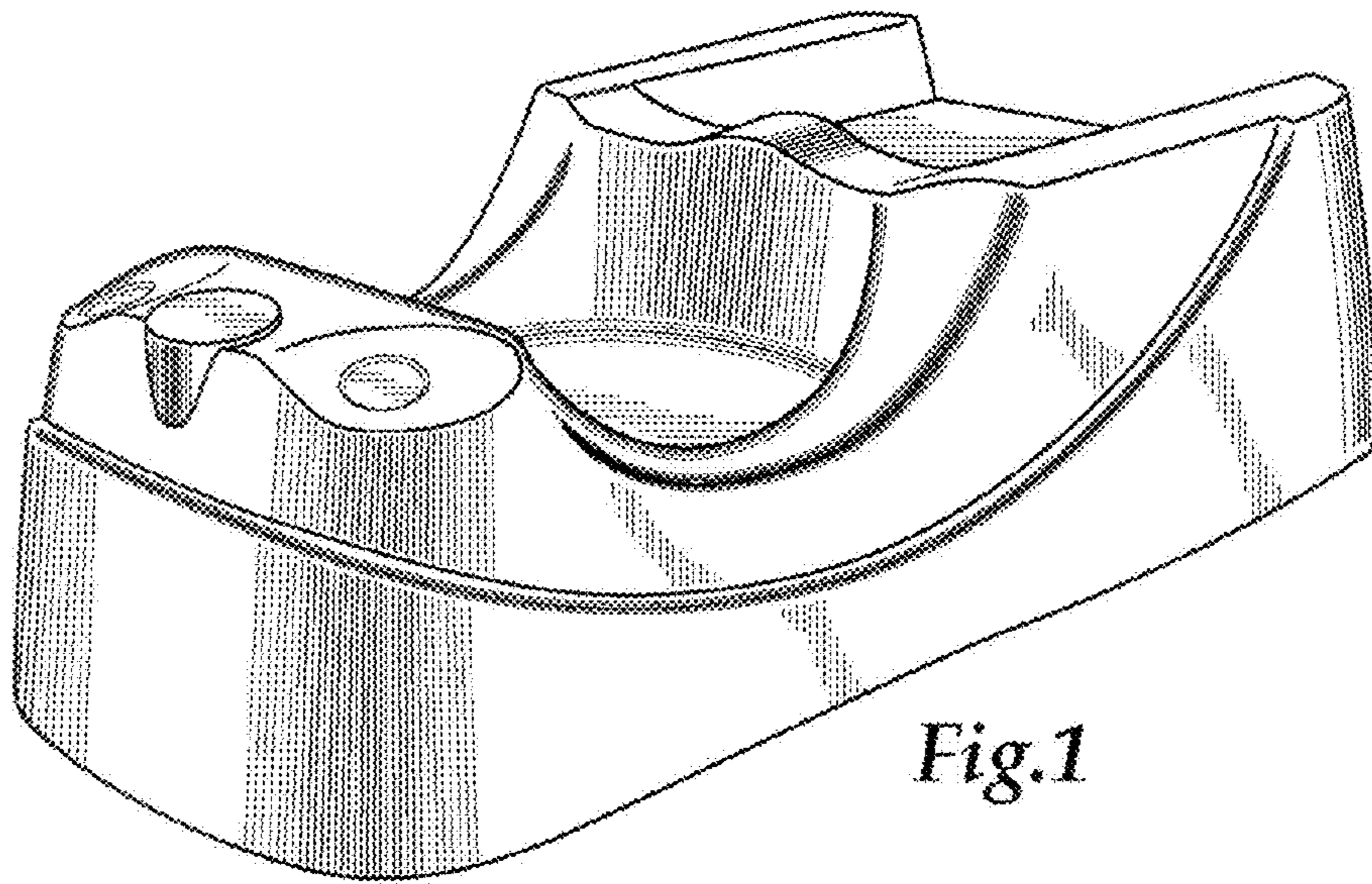
Website: <http://www.t4spa.com/milan1.html>, T4 Spa Concepts & Designs, LLC, Milan, Undated, printed Jun. 15, 2007, 1 page.

Website: <http://www.t4spa.com/ella1.html>, T4 Spa Concepts & Designs, LLC, Ella, Undated, printed Jun. 15, 2007, 1 page.

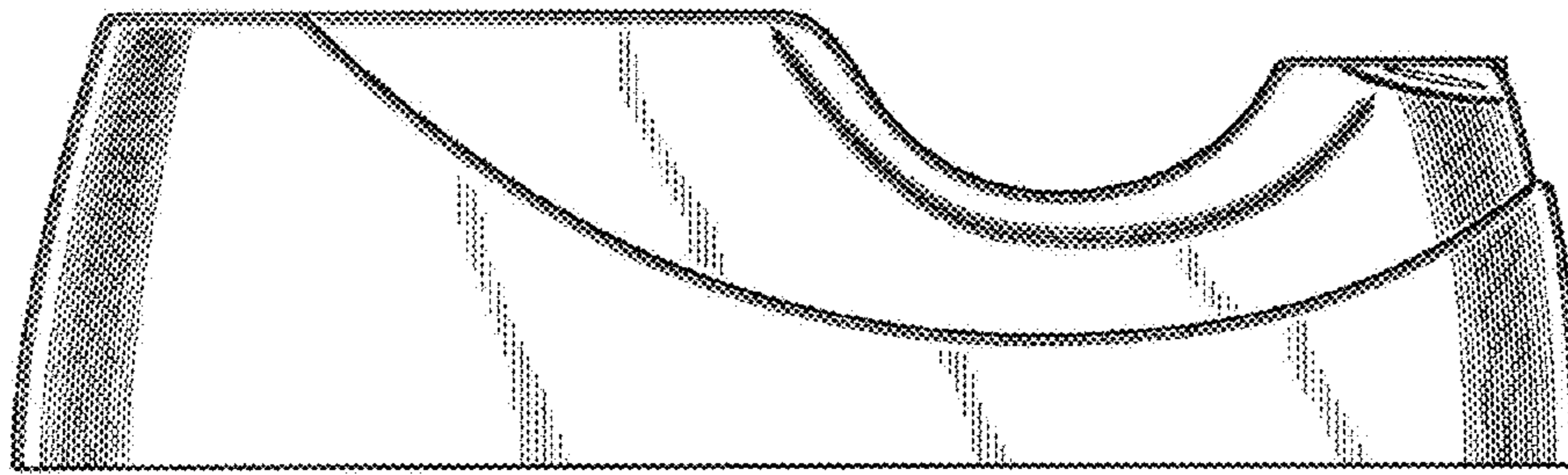
Website: <http://www.t4spa.com/avanti1.html>, T4 Spa Concepts & Designs, LLC, Avanti, Undated, printed Jun. 15, 2007, 1 page.

Website: <http://www.t4spa.com/bellini1.html>, T4 Spa Concepts & Designs, LLC, Bellini, Undated, printed Jun. 15, 2007, 1 page.

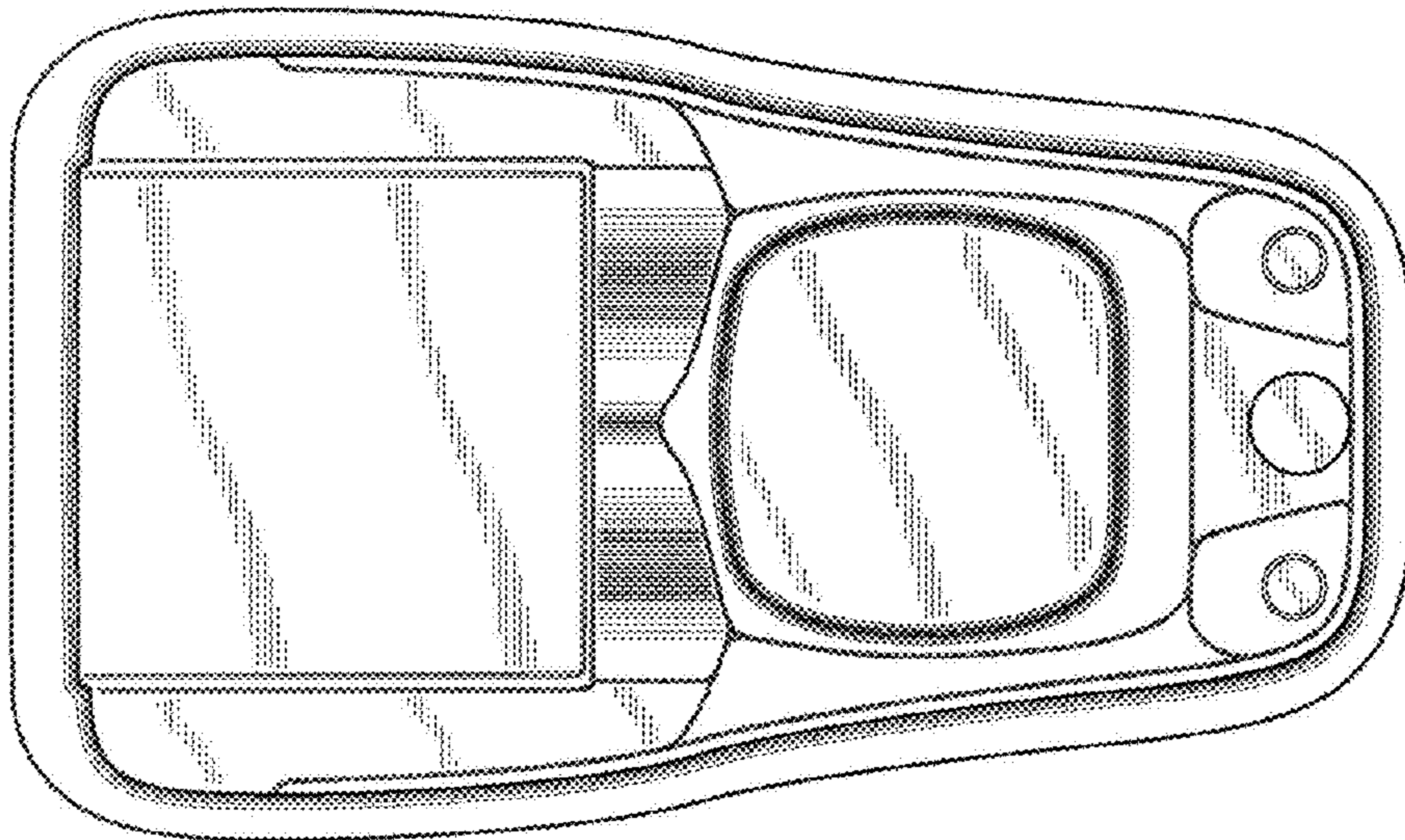
\* cited by examiner



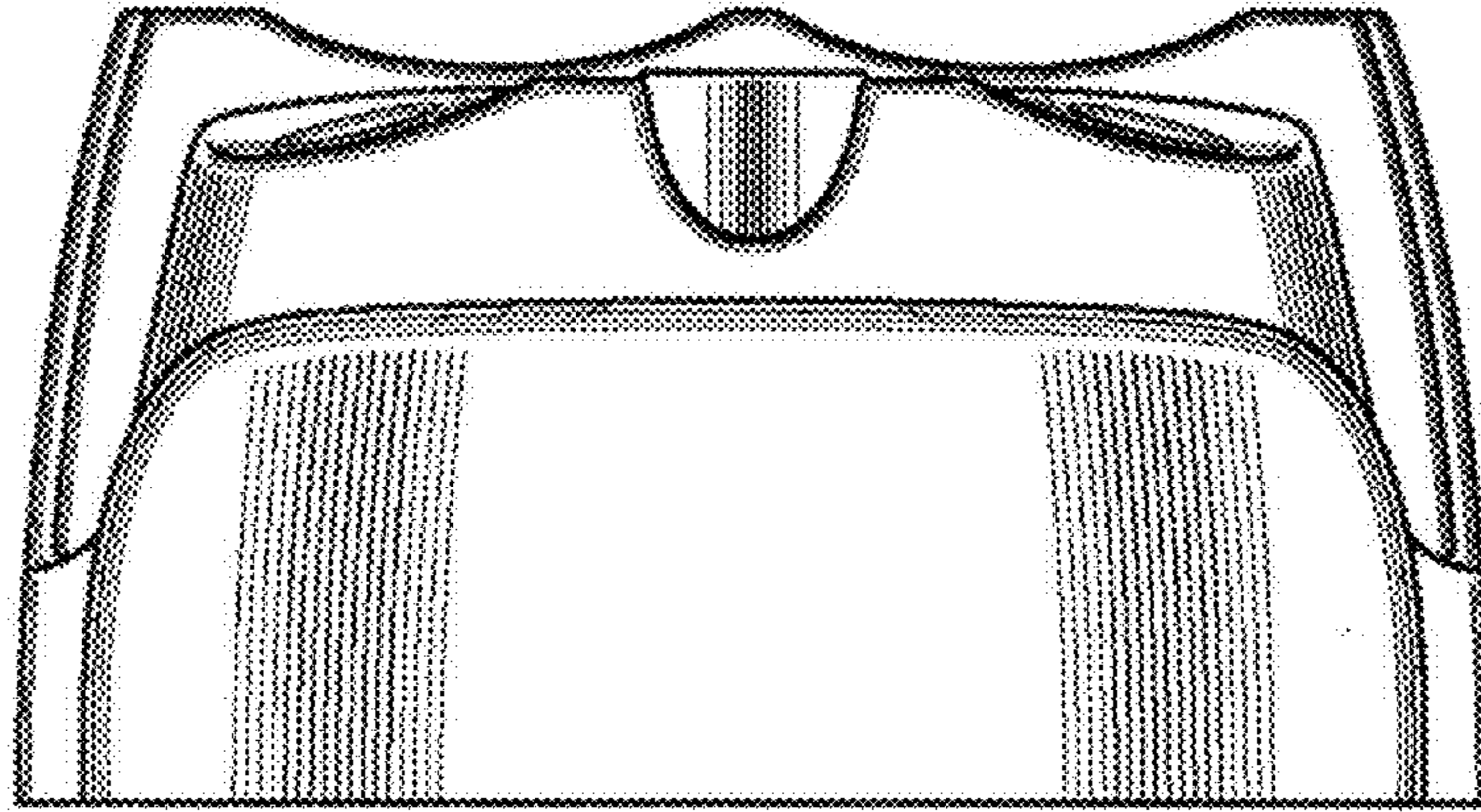
*Fig.1*



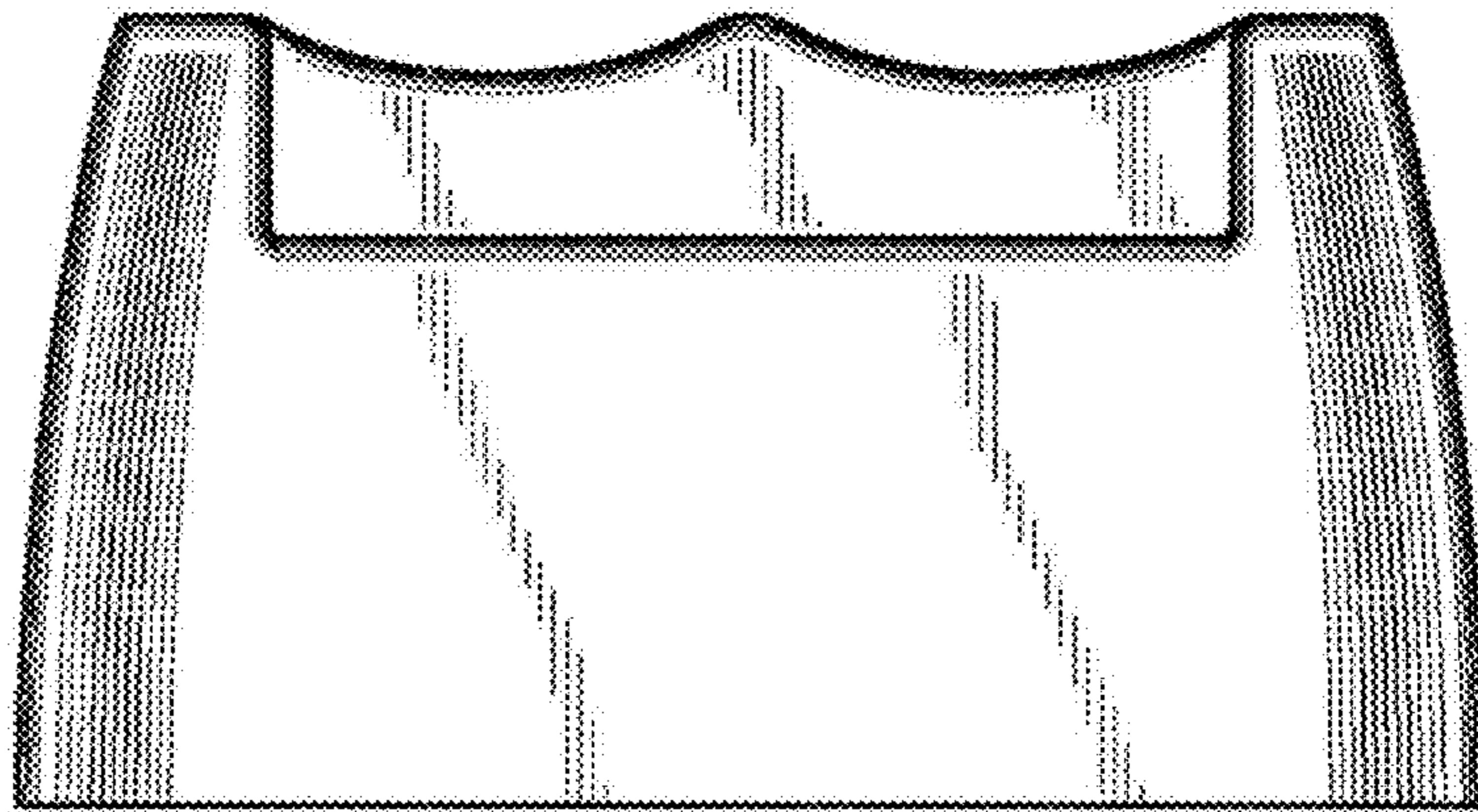
*Fig.2*



*Fig.3*



*Fig. 4*



*Fig. 5*