



US00D571956S

(12) **United States Design Patent**
Nishizawa

(10) **Patent No.:** **US D571,956 S**
(45) **Date of Patent:** **** Jun. 24, 2008**

(54) **ELECTRIC SHAVER**

D514,745 S * 2/2006 Nishizawa D28/49
D549,874 S * 8/2007 Nishizawa D28/51

(75) Inventor: **Tsuyoshi Nishizawa**, Yokoyama (JP)

* cited by examiner

(73) Assignee: **Matsushita Electric Works, Ltd.**,
Osaka (JP)

Primary Examiner—Jennifer Rivard
(74) *Attorney, Agent, or Firm*—Osha Liang LLP

(**) Term: **14 Years**

(57) **CLAIM**

(21) Appl. No.: **29/292,224**

The ornamental design for an electric shaver, as shown and described.

(22) Filed: **Oct. 3, 2007**

(30) **Foreign Application Priority Data**

DESCRIPTION

Apr. 3, 2007 (JP) 2007-008698

FIG. 1 is a perspective view of front, left side and top plan view of an electric shaver showing our new design;

(51) **LOC (8) Cl.** **28-03**

FIG. 2 is a front view thereof;

(52) **U.S. Cl.** **D28/49**

FIG. 3 is a rear view thereof;

(58) **Field of Classification Search** D28/49-54;
30/32, 34.05, 34.1, 34.2, 43-43.92, 44-45,
30/48-50, 526-533

FIG. 4 is a right side view thereof;

See application file for complete search history.

FIG. 5 is a left side view thereof;

(56) **References Cited**

FIG. 6 is a top plan view thereof;

U.S. PATENT DOCUMENTS

FIG. 7 is a bottom plan view thereof; and,

D511,398 S * 11/2005 Nishizawa D28/49

FIG. 8 is a cross-sectional view taken along line 8—8 in FIG. 5, within the boundaries indicated by the section 9—9.

D511,590 S * 11/2005 Nishizawa D28/49

The elements shown in broken lines are for illustrative purposes only and form no part of the claimed invention.

D512,183 S * 11/2005 Nagano et al. D28/51

1 Claim, 4 Drawing Sheets

D513,541 S * 1/2006 Nishizawa D28/49

D514,254 S * 1/2006 Nishizawa D28/49

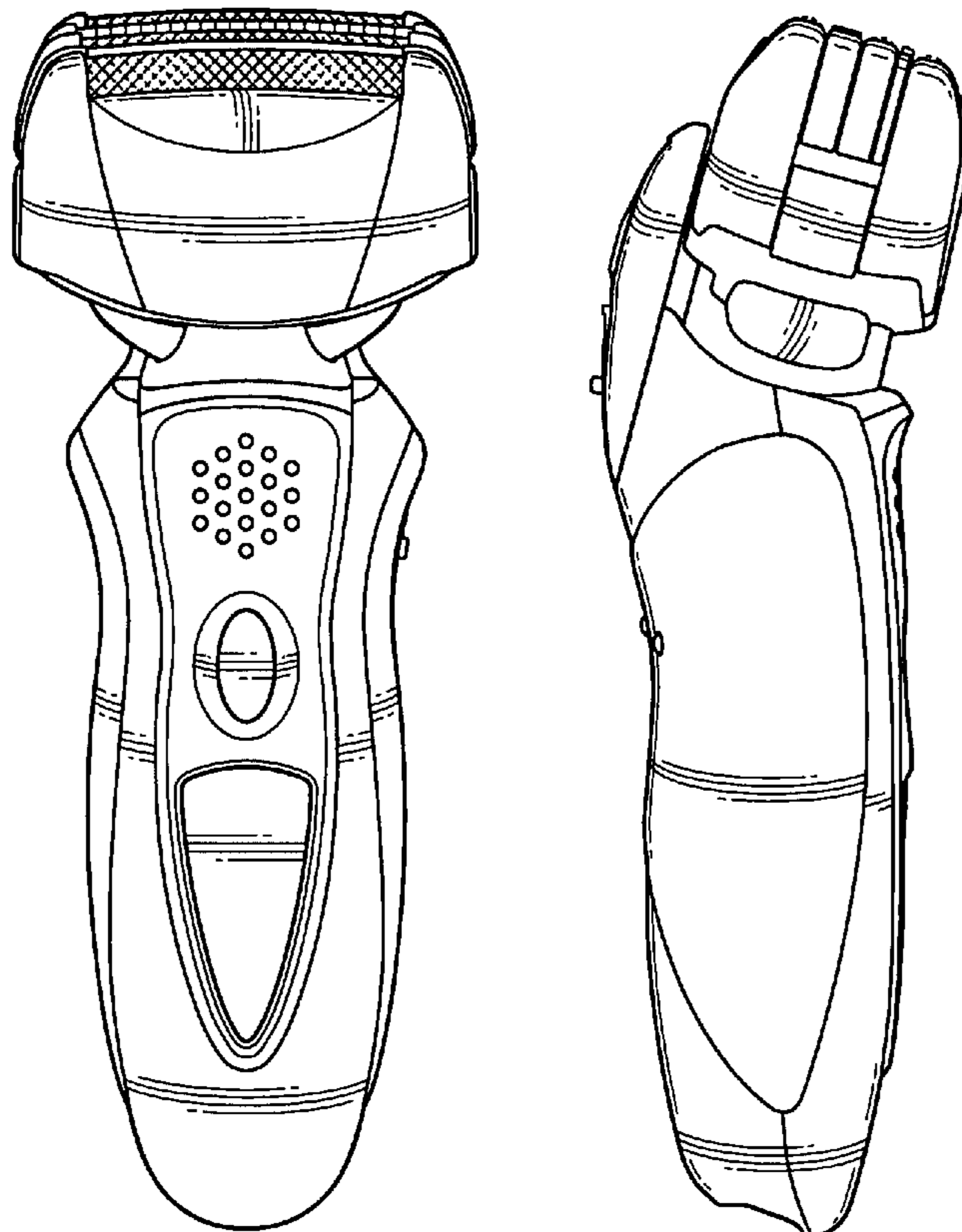




FIG. 1

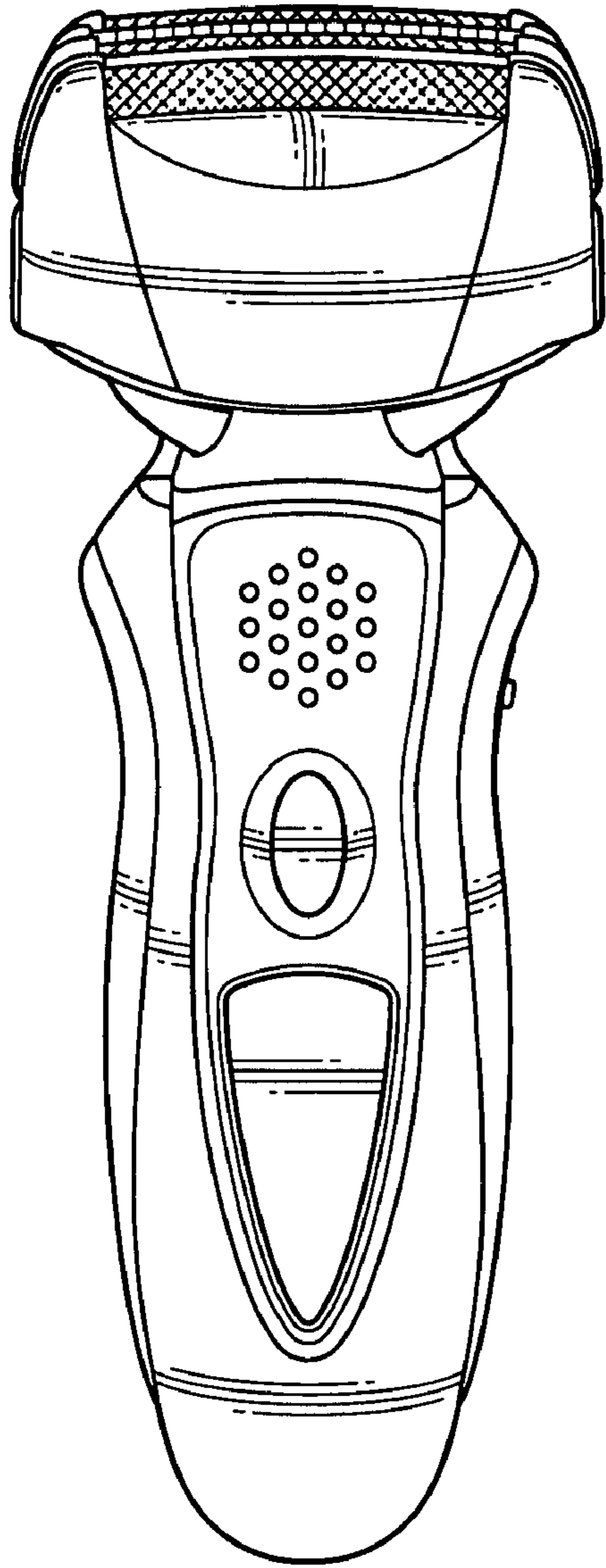


FIG. 2

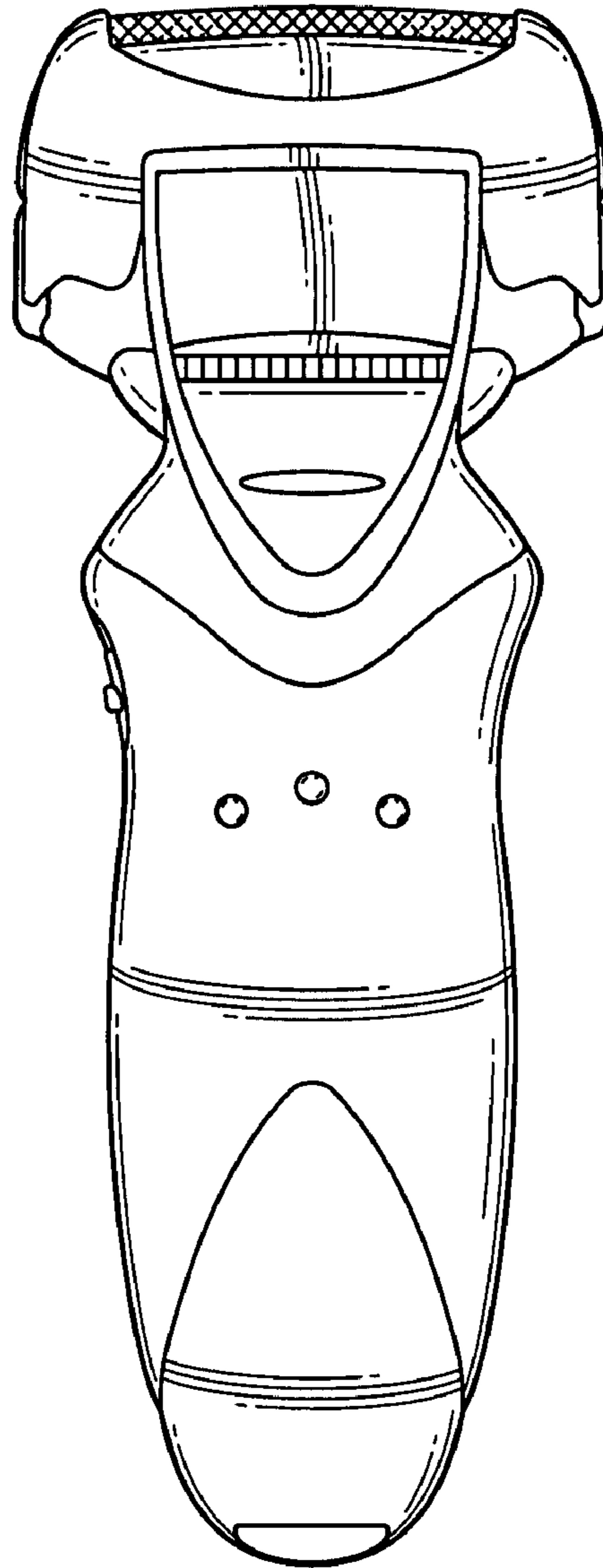


FIG. 3

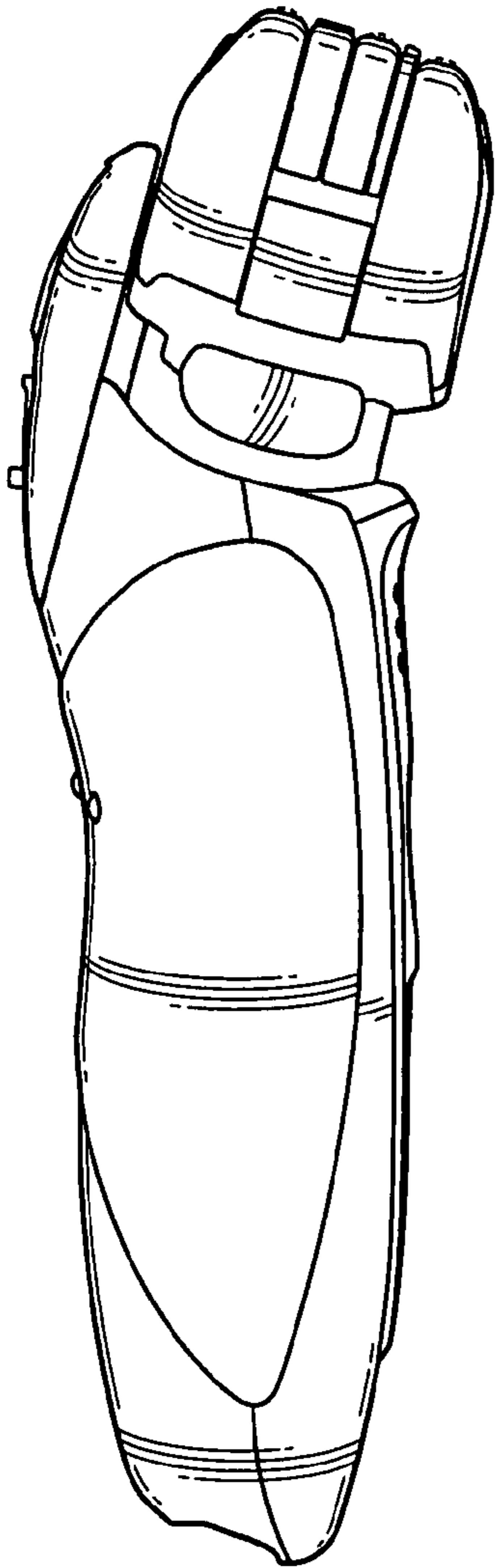


FIG. 4

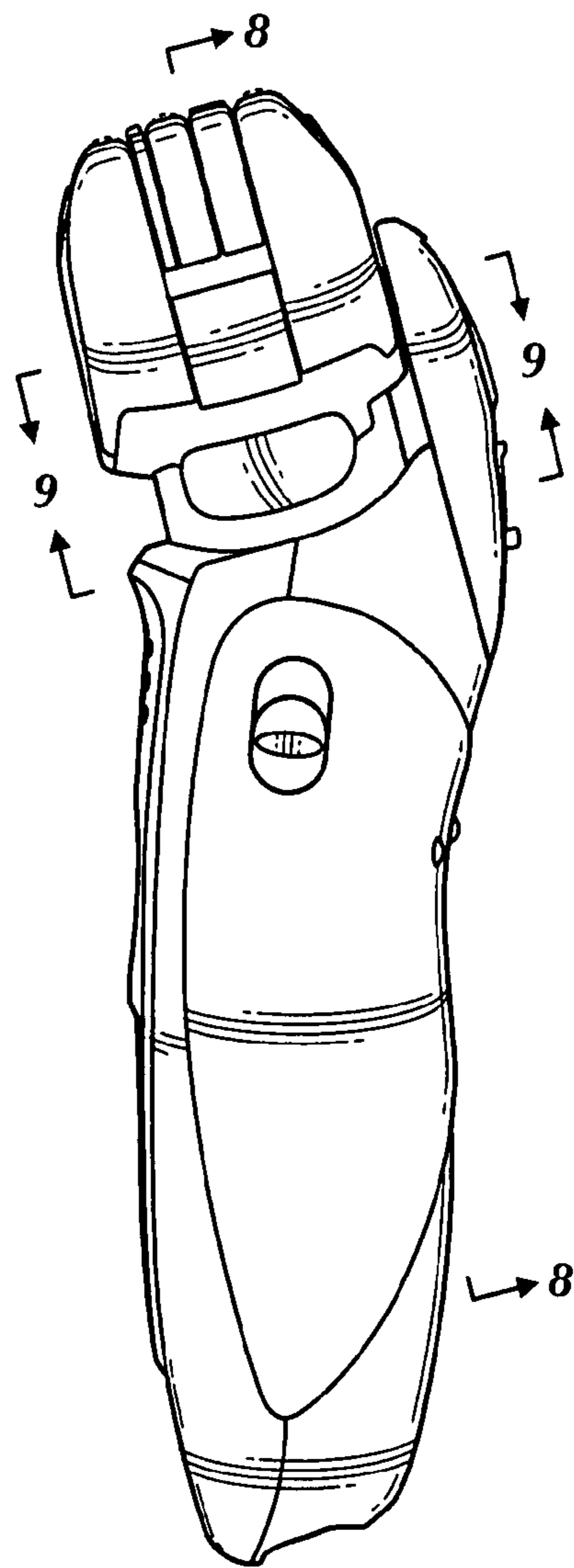


FIG. 5

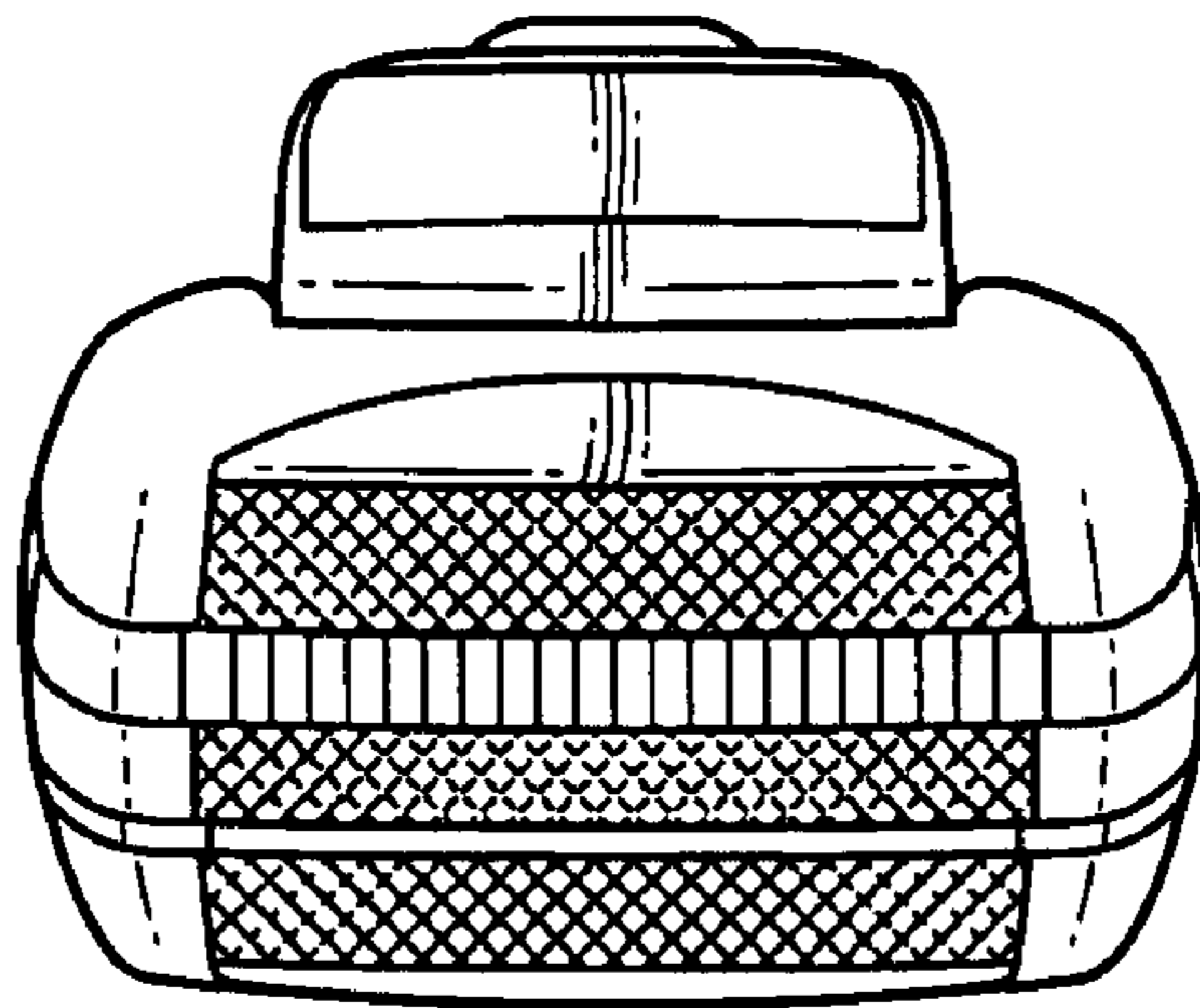


FIG. 6

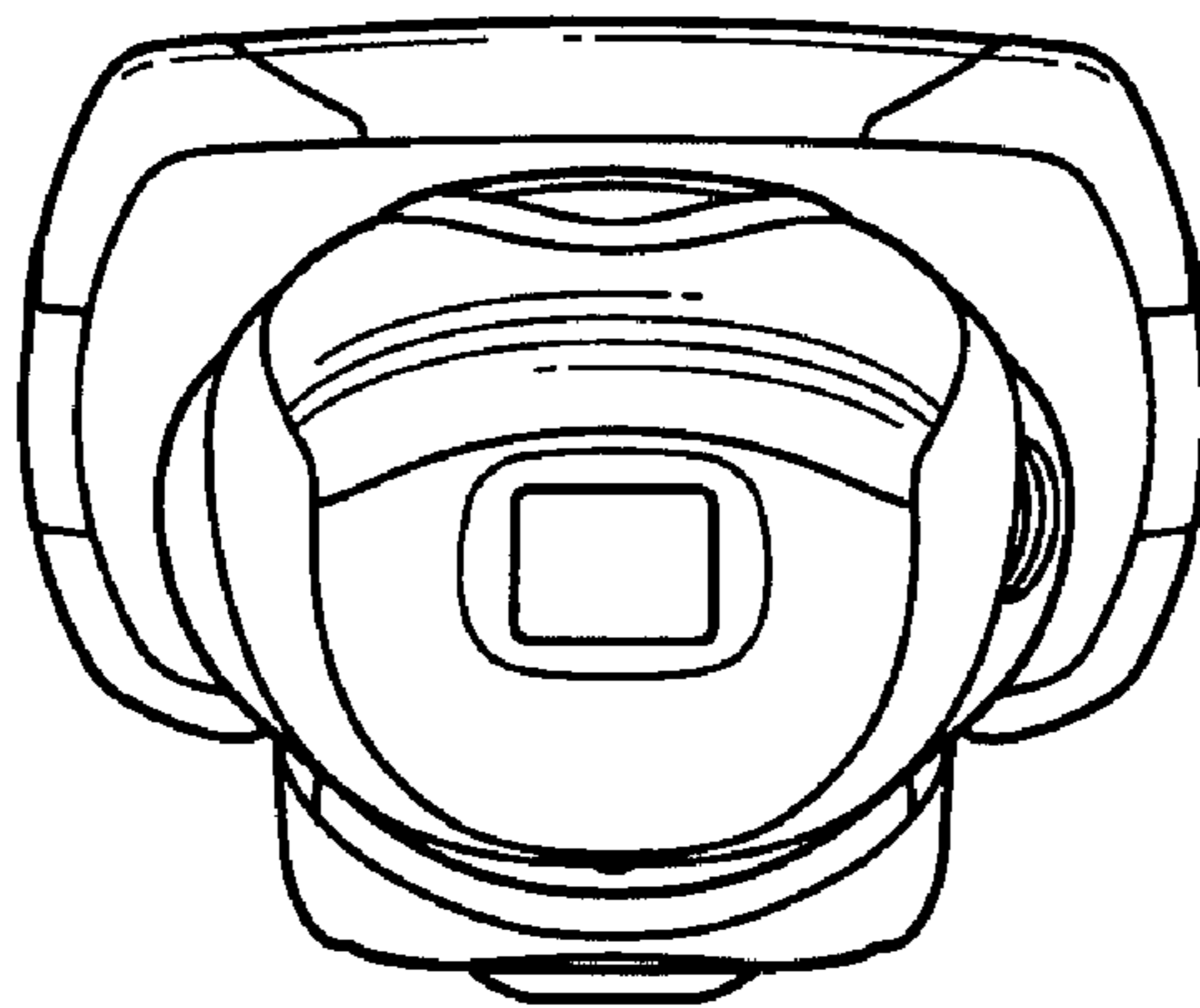


FIG. 7

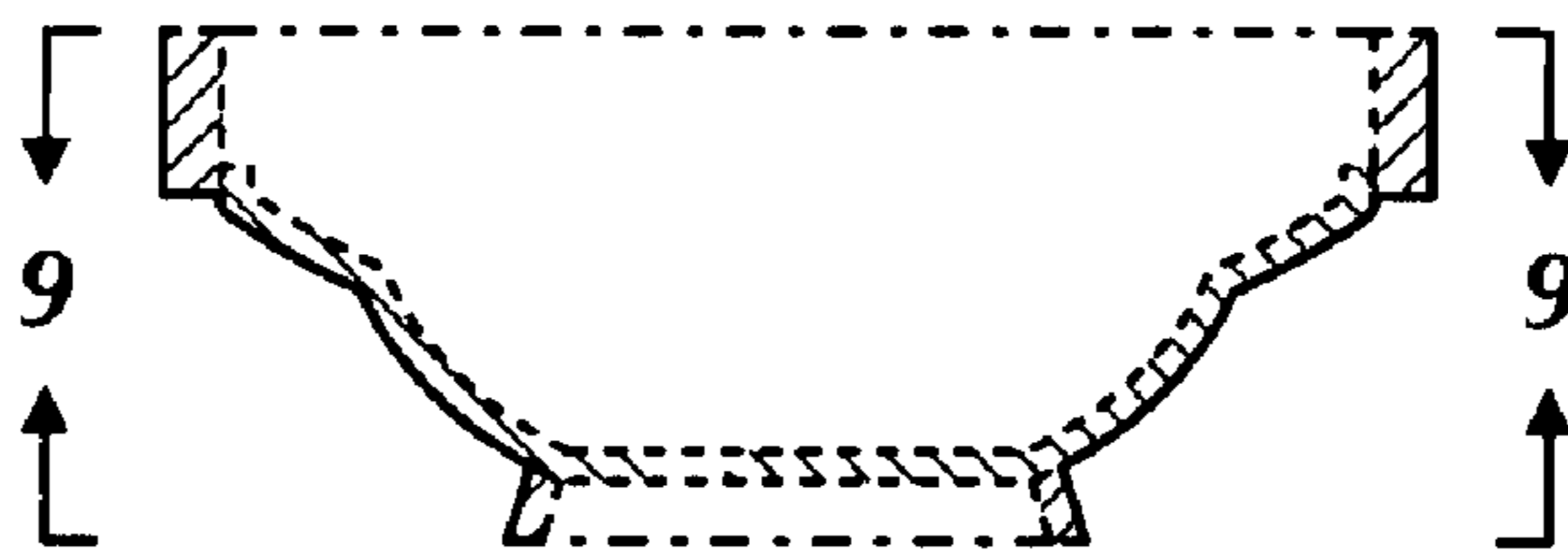


FIG. 8

UNITED STATES PATENT AND TRADEMARK OFFICE
CERTIFICATE OF CORRECTION

PATENT NO. : Des. 571,956 S
APPLICATION NO. : 29/292224
DATED : June 24, 2008
INVENTOR(S) : Tsuyoshi Nishizawa

Page 1 of 1

It is certified that error appears in the above-identified patent and that said Letters Patent is hereby corrected as shown below:

Title Pg, Item (75) Inventor, "Yokoyama" should be --**Yokohama**--.

Signed and Sealed this

Sixteenth Day of September, 2008

A handwritten signature in black ink that reads "Jon W. Dudas". The signature is written in a cursive style with a large, looped initial "J".

JON W. DUDAS

Director of the United States Patent and Trademark Office