



US00D571954S

(12) **United States Design Patent**  
**Kling et al.**

(10) **Patent No.:** **US D571,954 S**  
(45) **Date of Patent:** **\*\* Jun. 24, 2008**

(54) **HAIR REMOVING APPLIANCE**

D477,438 S \* 7/2003 McCurrach ..... D28/44.1

(75) Inventors: **Bjorn Kling**, Glashutten (DE);  
**Benjamin Wilson**, Frankfurter (DE)

\* cited by examiner

(73) Assignee: **Braum GmbH**, Kronberg (DE)

*Primary Examiner*—Jennifer Rivard  
(74) *Attorney, Agent, or Firm*—Fish & Richardson P.C.

(\*\*) Term: **14 Years**

(21) Appl. No.: **29/293,857**

(22) Filed: **Dec. 14, 2007**

(57) **CLAIM**

The ornamental design for a hair removing appliance, substantially as shown and described.

(30) **Foreign Application Priority Data**

Jun. 19, 2007 (DE) ..... DE40703100

**DESCRIPTION**

(51) **LOC (8) Cl.** ..... **28-03**

FIG. 1 is a perspective view of a hair removing appliance from above, showing the new design;

(52) **U.S. Cl.** ..... **D28/46; D28/53**

FIG. 2 is a front view of the appliance;

(58) **Field of Classification Search** ..... D28/49–54;  
30/32, 34.05, 34.1, 34.2, 43–43.92, 44–45,  
30/48–50, 526–533

FIG. 3 is a left side view of the appliance;

FIG. 4 is a rear view of the appliance;

FIG. 5 is a right side view of the appliance;

See application file for complete search history.

FIG. 6 is a top plan view of the appliance; and,

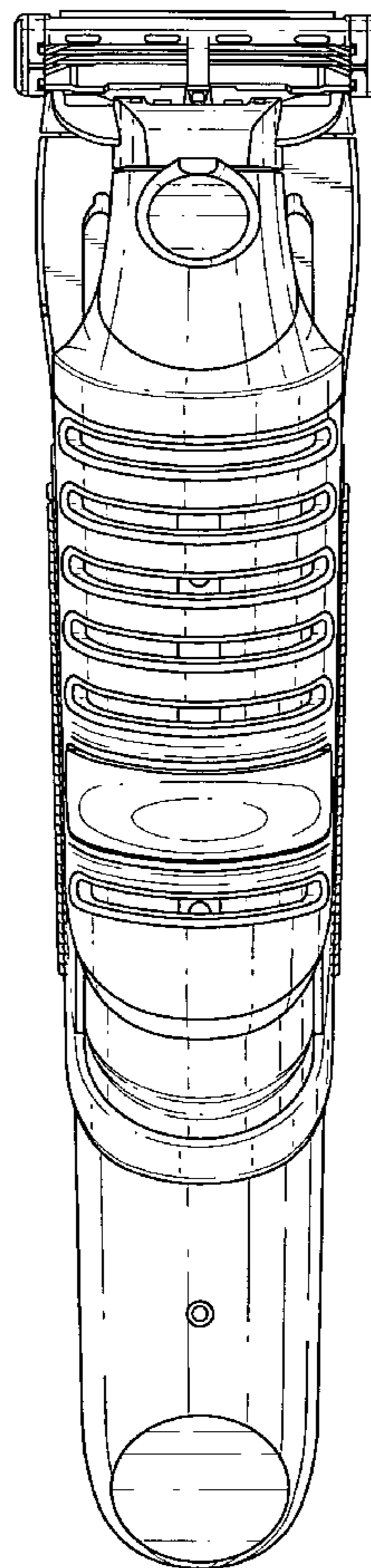
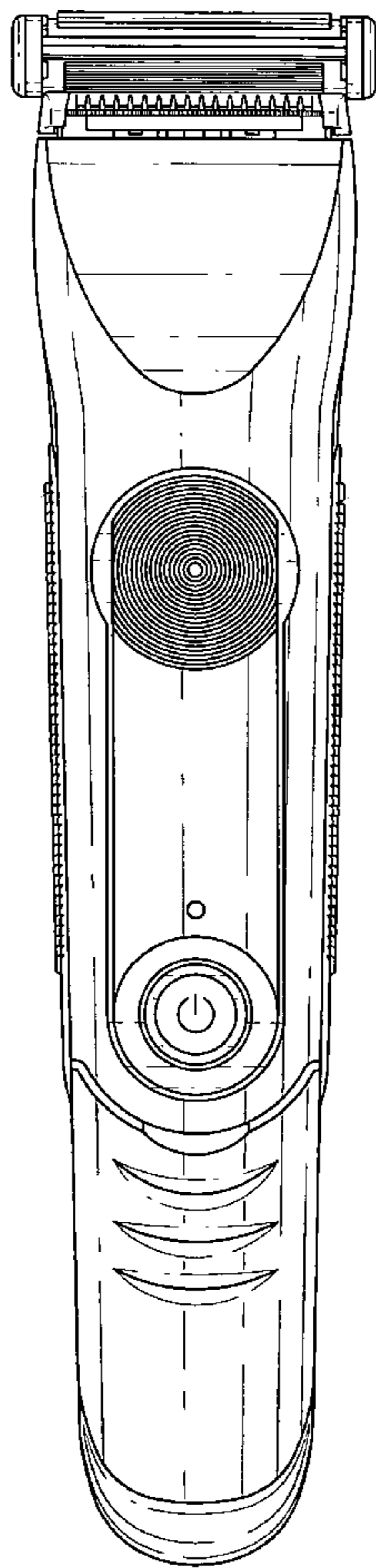
FIG. 7 is a bottom plan view of the appliance.

(56) **References Cited**

**U.S. PATENT DOCUMENTS**

D434,185 S \* 11/2000 Jacobs ..... D28/44.1

**1 Claim, 4 Drawing Sheets**



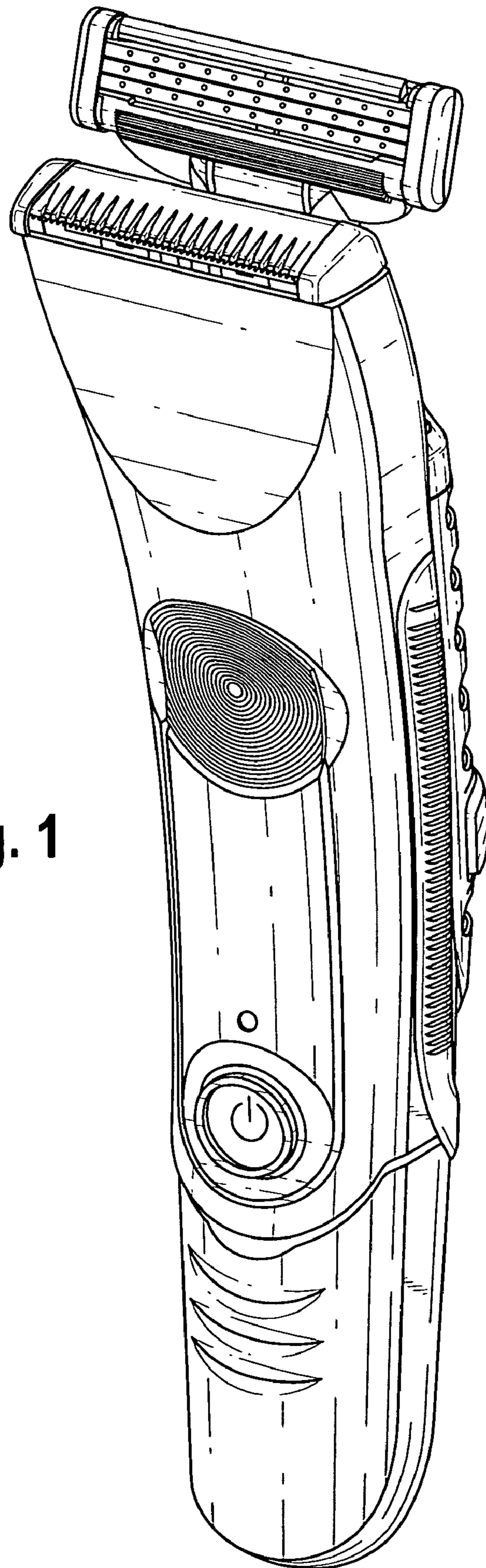


Fig. 1

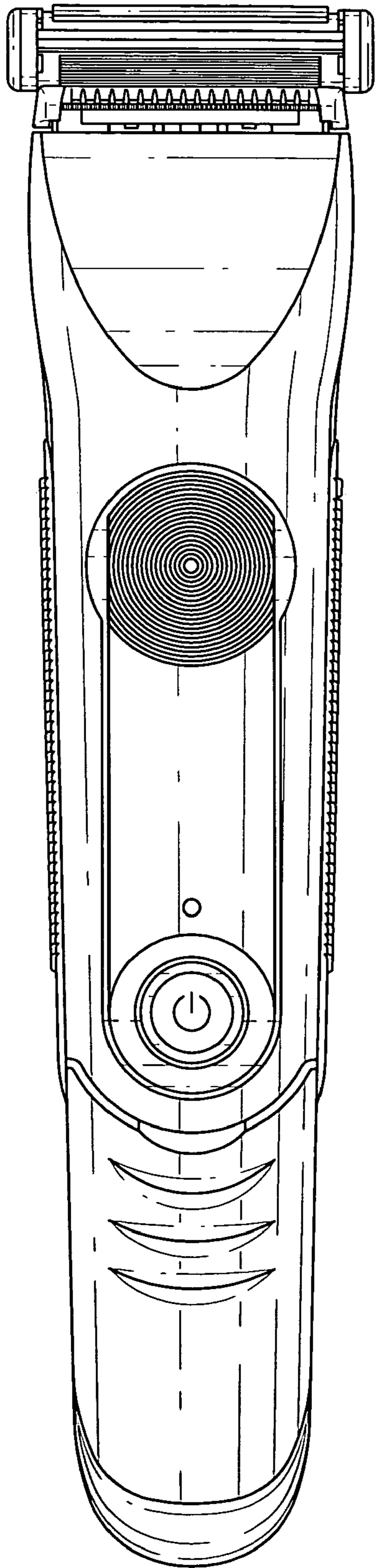


Fig. 2

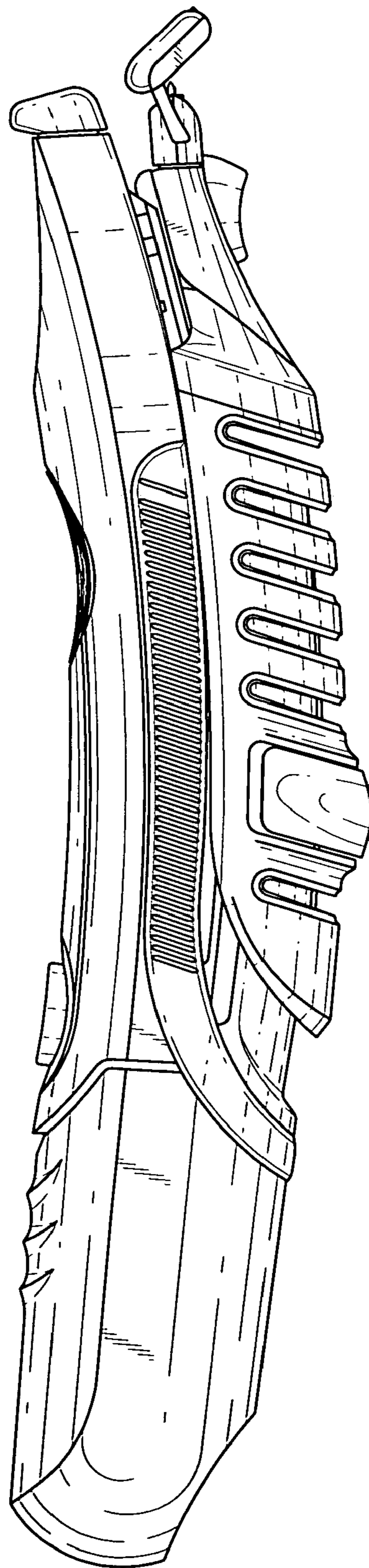


Fig. 3

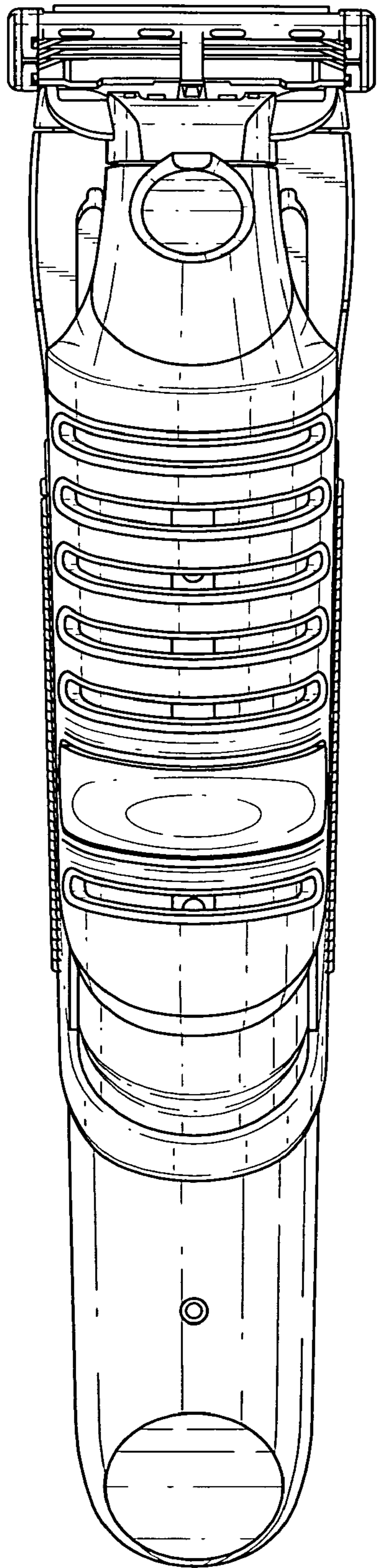


Fig. 4

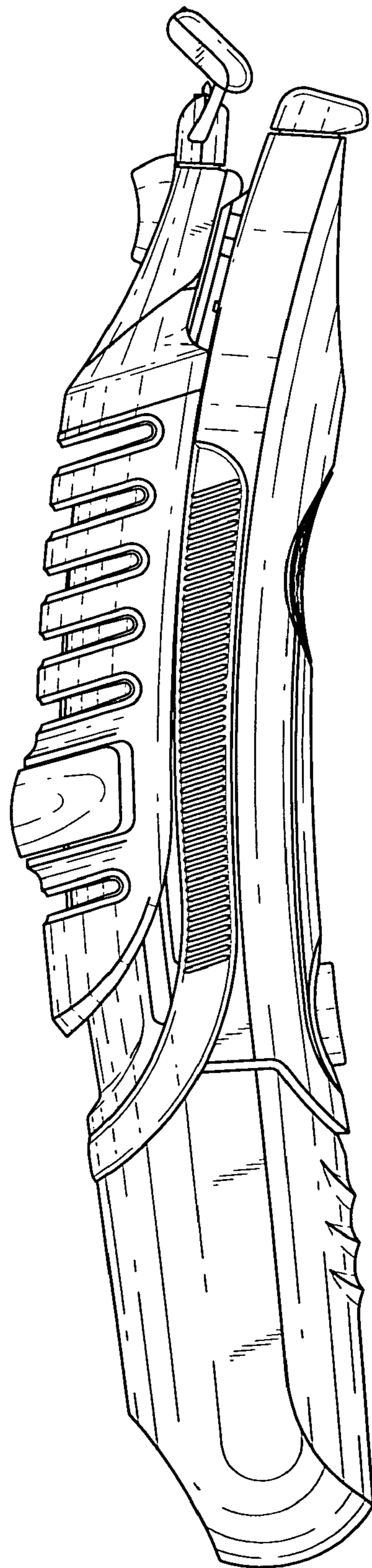


Fig. 5

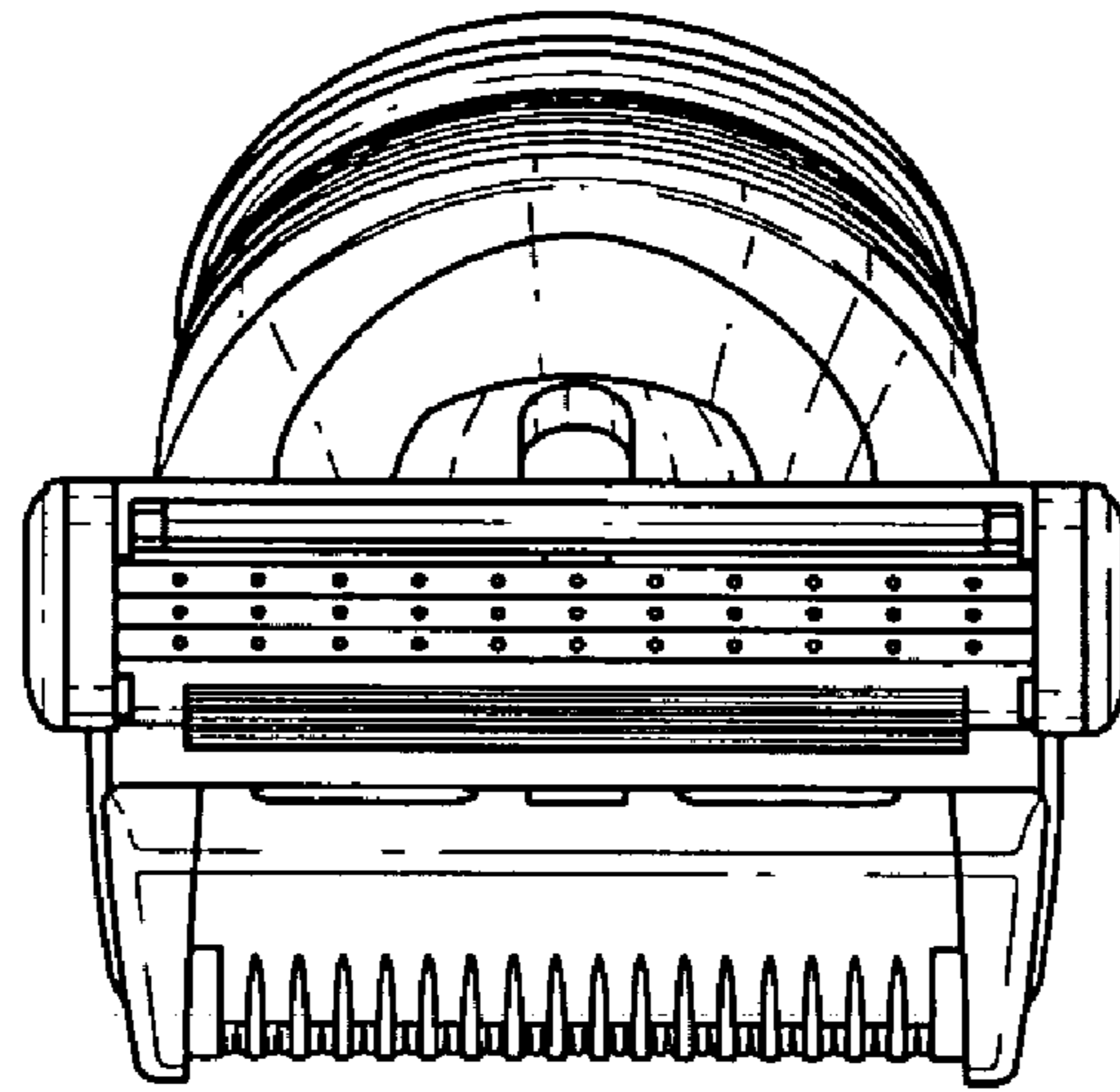


Fig. 6

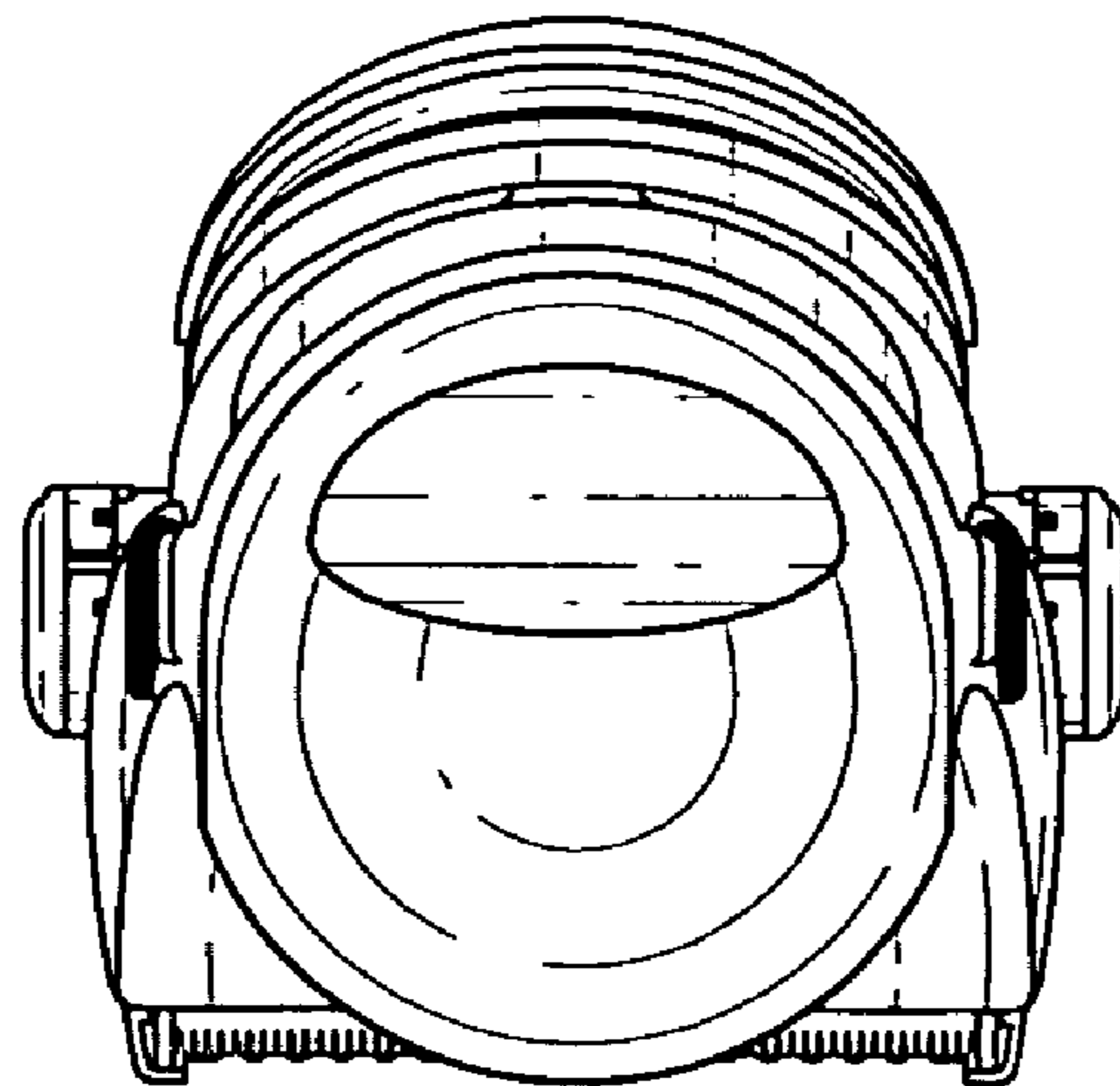


Fig. 7