



US00D571951S

(12) **United States Design Patent**
Melzner et al.

(10) **Patent No.:** **US D571,951 S**
(45) **Date of Patent:** **** Jun. 24, 2008**

(54) **STIRRUP FOR LIGHTING FIXTURE**

(75) Inventors: **Erwin Melzner**, Stephanskirchen (DE);
Timo Müller, Stephanskirchen (DE);
Klaus Sprenger, Petersstrasse (DE);
Henning Schlorf, Neu Isenburg (DE);
Wolfgang Baumgartner, Künzing (DE);
Jürgen Heinlein, Haimhausen (DE)

(73) Assignee: **Arnold & Richter Cine Technik GmbH**
& Co. Betriebs KG, Munich (DE)

(**) Term: **14 Years**

(21) Appl. No.: **29/255,589**

(22) Filed: **Mar. 8, 2006**

(30) **Foreign Application Priority Data**

Sep. 8, 2005 (DE) 405 04 770

(51) **LOC (8) Cl.** **26-99**

(52) **U.S. Cl.** **D26/138**

(58) **Field of Classification Search** D26/138,
D26/140, 141, 142, 155, 41, 63, 113, 64,
D26/66, 72; 362/217, 257, 269, 285, 418,
362/427

See application file for complete search history.

(56) **References Cited**

U.S. PATENT DOCUMENTS

D220,119 S * 3/1971 Glickman D26/60
D286,578 S * 11/1986 Krokauger D26/63

5,306,871 A * 4/1994 Lai 174/70 R
D372,550 S * 8/1996 Stultz D26/63
D420,759 S * 2/2000 Shuenn-Fa D26/65
D437,441 S * 2/2001 Shoemaker et al. D26/63
D439,356 S * 3/2001 Martinson et al. D26/63
D441,491 S * 5/2001 Leen D26/138
D446,329 S * 8/2001 Lau D26/63
D502,566 S * 3/2005 Tsai D26/138

* cited by examiner

Primary Examiner—Freda S. Nunn

Assistant Examiner—Kevin K Rudzinski

(74) *Attorney, Agent, or Firm*—Christie, Parker & Hale, LLP

(57) **CLAIM**

The ornamental design for stirrup for lighting fixture, as shown and described.

DESCRIPTION

FIG. 1 is a right top perspective view of the stirrup for lighting fixture;

FIG. 2 is a left side elevation view thereof, the opposite side being the same;

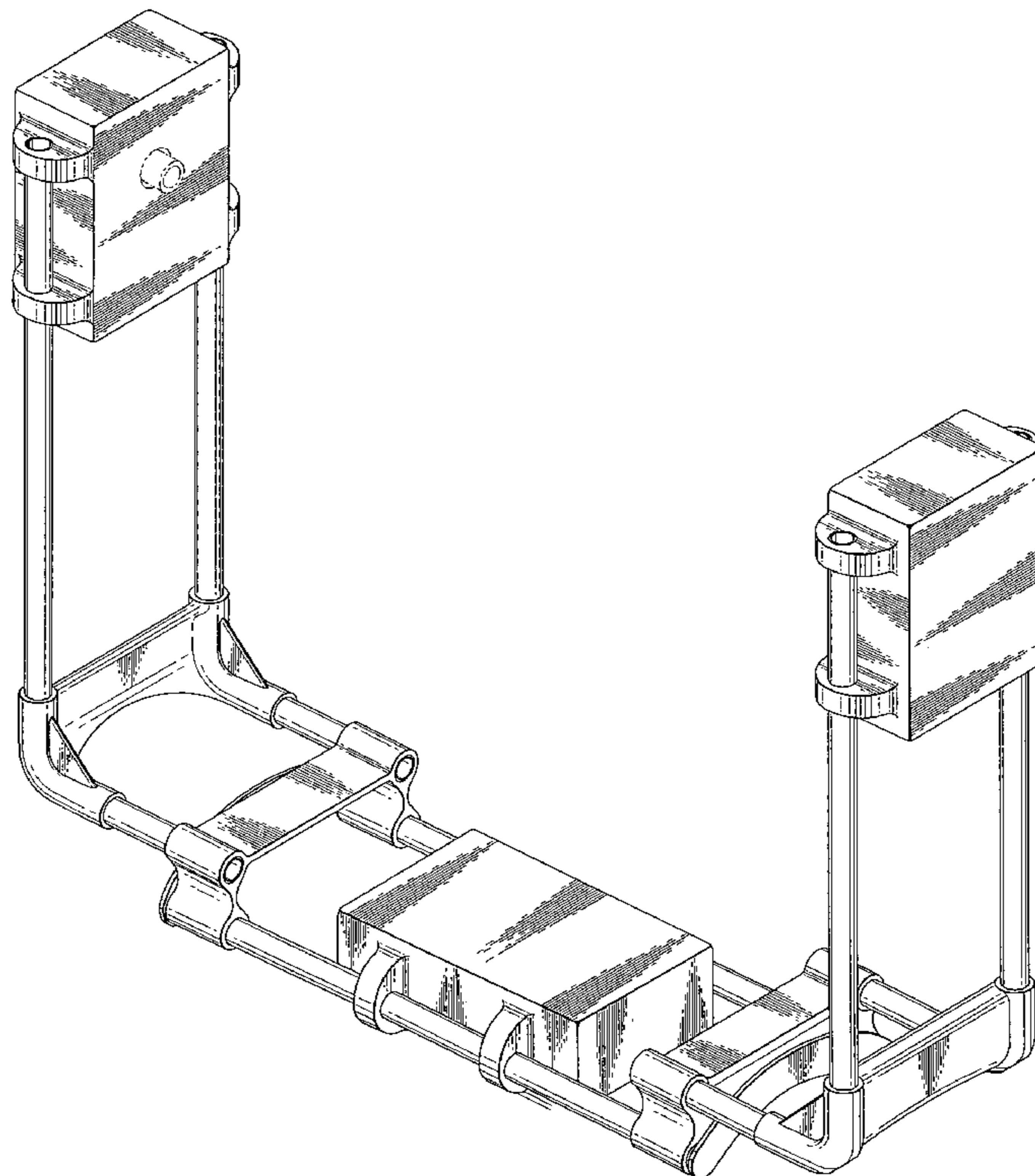
FIG. 3 is a front end elevation view thereof, the opposite side being the same;

FIG. 4 is a top plan view thereof; and,

FIG. 5 is a bottom plan view thereof.

The broken line shown is included for the purpose of illustration only and forms no part of the claimed design.

1 Claim, 4 Drawing Sheets



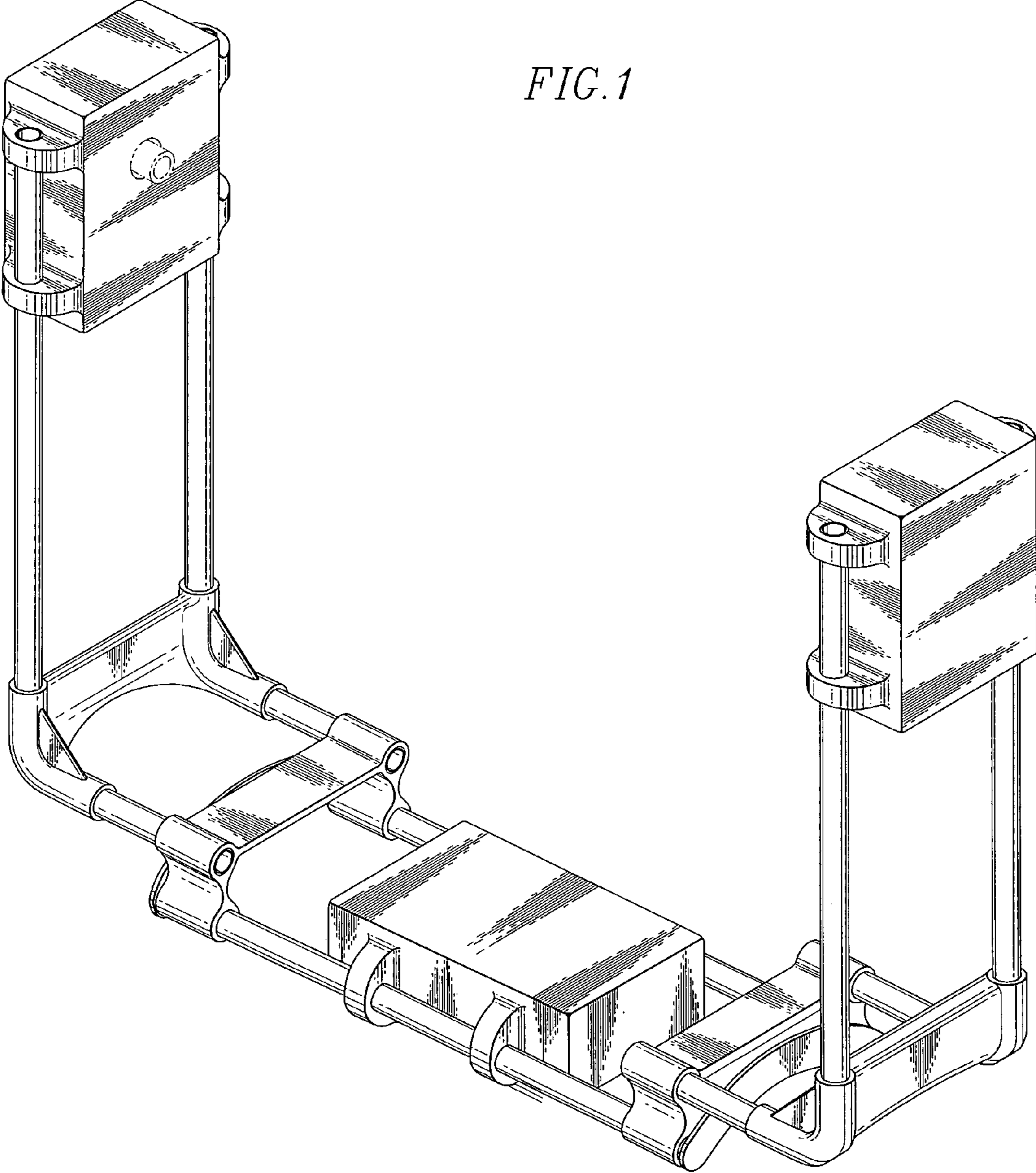


FIG. 1

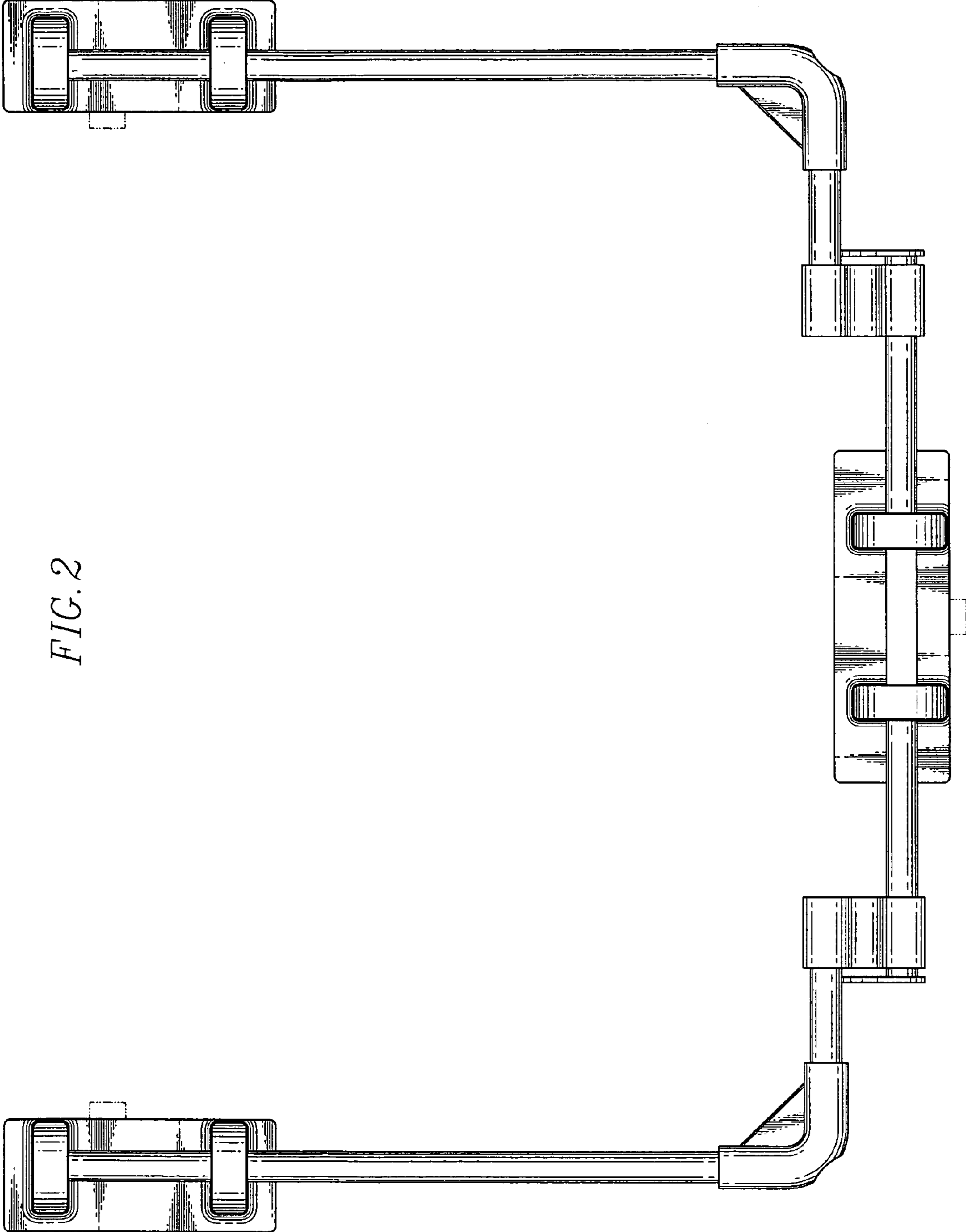


FIG. 2

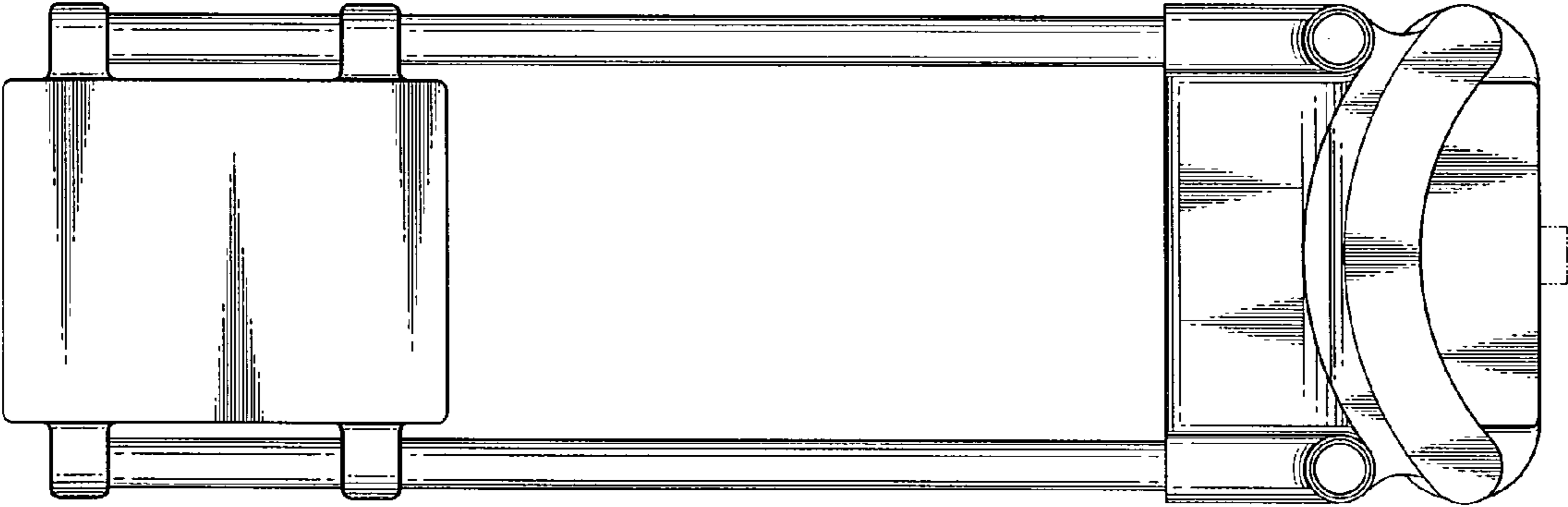


FIG. 3

FIG. 4

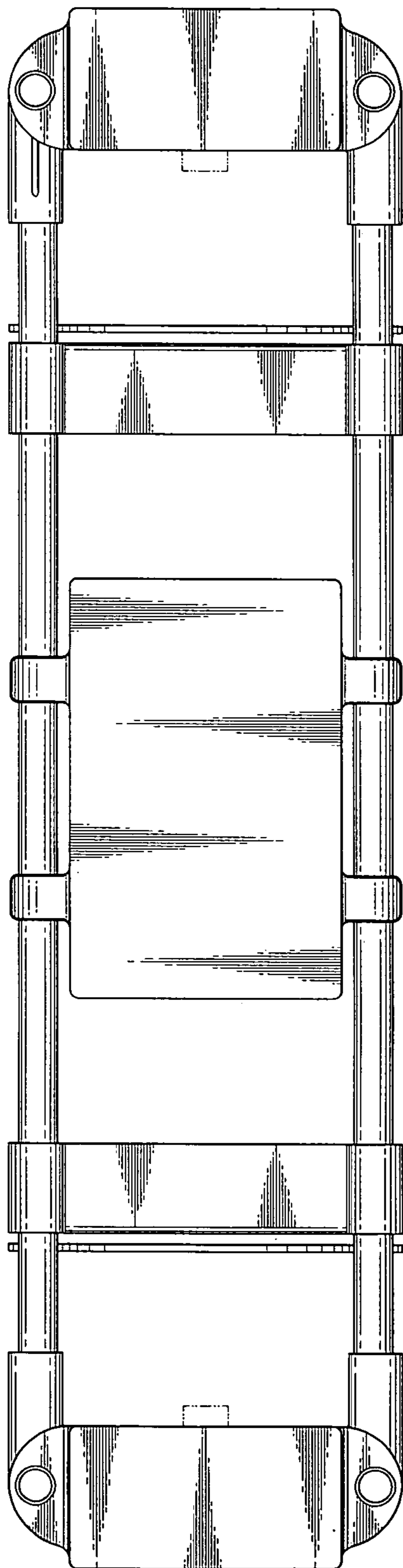


FIG. 5

