



US00D571950S

(12) **United States Design Patent**  
**Wedding et al.**

(10) **Patent No.:** **US D571,950 S**  
(45) **Date of Patent:** **\*\* Jun. 24, 2008**

(54) **BAYONET-MOUNT OVEN-LIGHT LENS**

(75) Inventors: **Hans Wedding**, Arnsberg (DE); **Jörg Harnischmacher**, Menden (DE)

(73) Assignee: **BJB GmbH & Co. KG**, Arnsberg (DE)

(\*\*) Term: **14 Years**

(21) Appl. No.: **29/264,375**

(22) Filed: **Aug. 8, 2006**

(30) **Foreign Application Priority Data**

Feb. 9, 2006 (EM) ..... 000478730

(51) **LOC (8) Cl.** ..... **26-99**

(52) **U.S. Cl.** ..... **D26/120**

(58) **Field of Classification Search** ..... D26/152,  
D26/85, 118, 138, 154, 67, 60, 64, 137, 120,  
D26/22, 26, 62, 72, 73, 79, 88, 93, 113, 119,  
D26/123, 124, 128, 135, 153, 142, 149, 65,  
D26/63, 2; 362/94, 145, 147, 151, 171, 178,  
362/182, 647, 649, 650, 651, 351, 356, 359,  
362/363, 403, 404, 405, 407, 410  
See application file for complete search history.

(56) **References Cited**

**U.S. PATENT DOCUMENTS**

D44,349 S \* 7/1913 Allbee ..... D26/113  
D89,273 S \* 2/1933 Blau ..... D26/131  
D99,104 S \* 3/1936 Arenberg ..... D26/124

D99,105 S \* 3/1936 Arenberg ..... D26/124  
4,326,243 A \* 4/1982 Pistor et al. .... 362/368  
D318,533 S \* 7/1991 Henrici ..... D26/24  
D353,684 S \* 12/1994 Moussa ..... D26/113  
D411,640 S \* 6/1999 Lueken et al. .... D26/74  
D459,504 S \* 6/2002 Chen ..... D26/26  
6,461,010 B1 \* 10/2002 Knight et al. .... 362/92  
D467,358 S \* 12/2002 Morris ..... D26/2  
6,561,677 B1 \* 5/2003 Leen ..... 362/276  
D523,569 S \* 6/2006 Funck et al. .... D26/26

\* cited by examiner

*Primary Examiner*—Freda S. Nunn

*Assistant Examiner*—Kevin K Rudzinski

(74) *Attorney, Agent, or Firm*—Andrew Wilford

(57) **CLAIM**

The ornamental design for a bayonet-mount oven-light lens, as shown.

**DESCRIPTION**

FIG. 1 is a perspective view from above of the bayonet-mount oven-light lens according to the invention;

FIG. 2 is a view like FIG. 1 but with the lens upside-down;

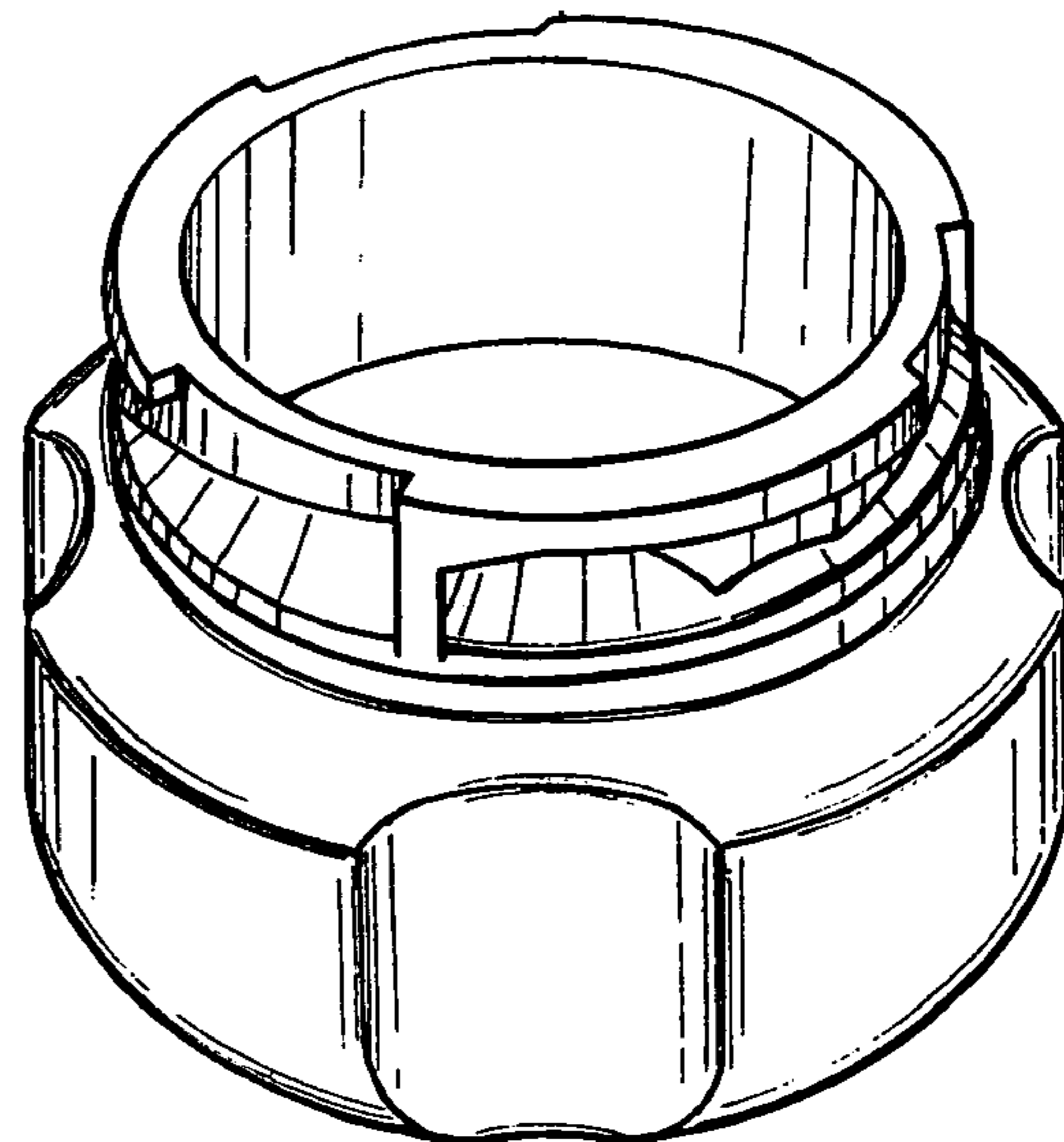
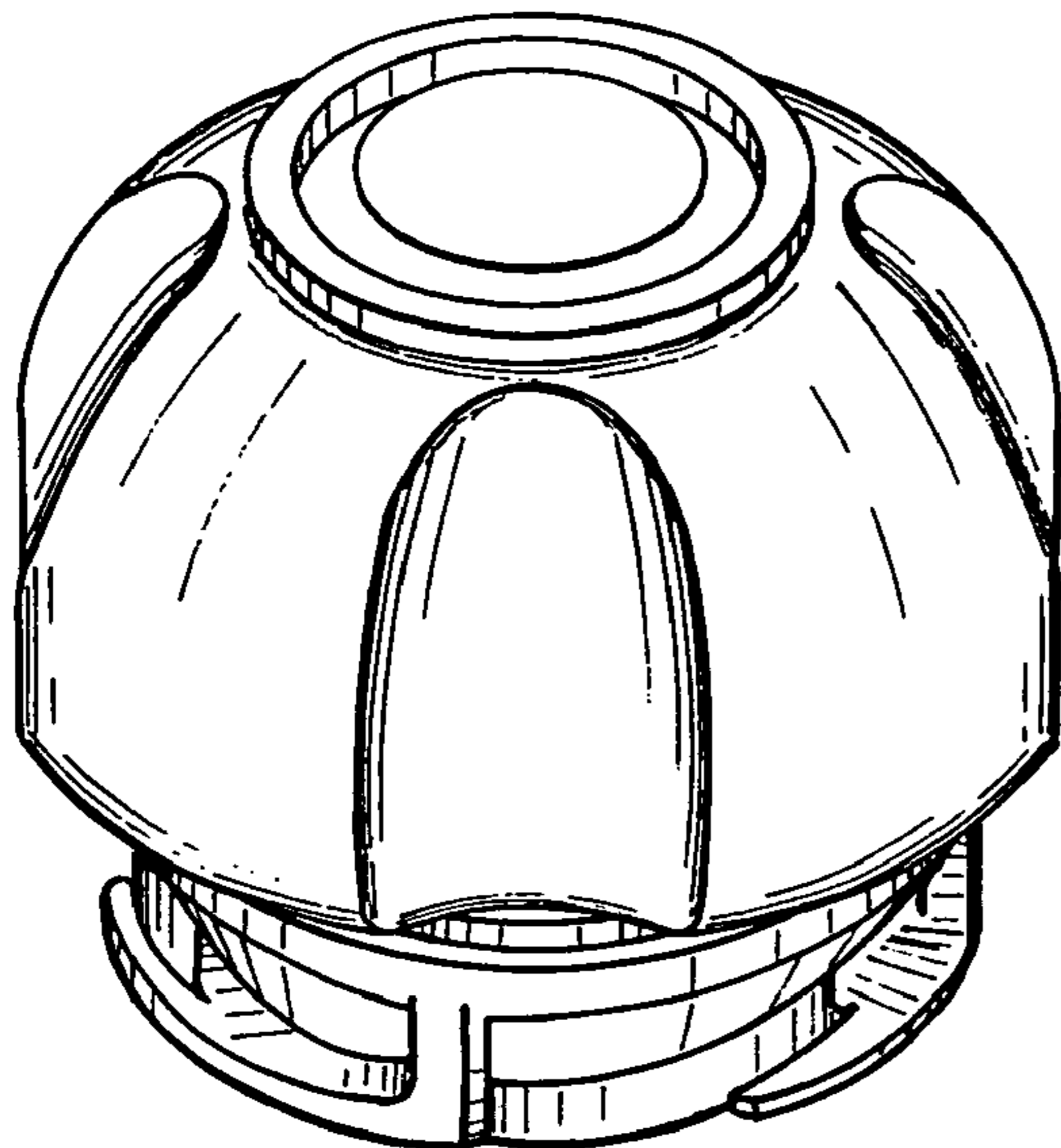
FIG. 3 is a front elevational view of the lens;

FIG. 4 is a top view of the lens;

FIG. 5 is a rear elevational view of the lens; and,

FIG. 6 is a bottom view of the lens.

**1 Claim, 3 Drawing Sheets**



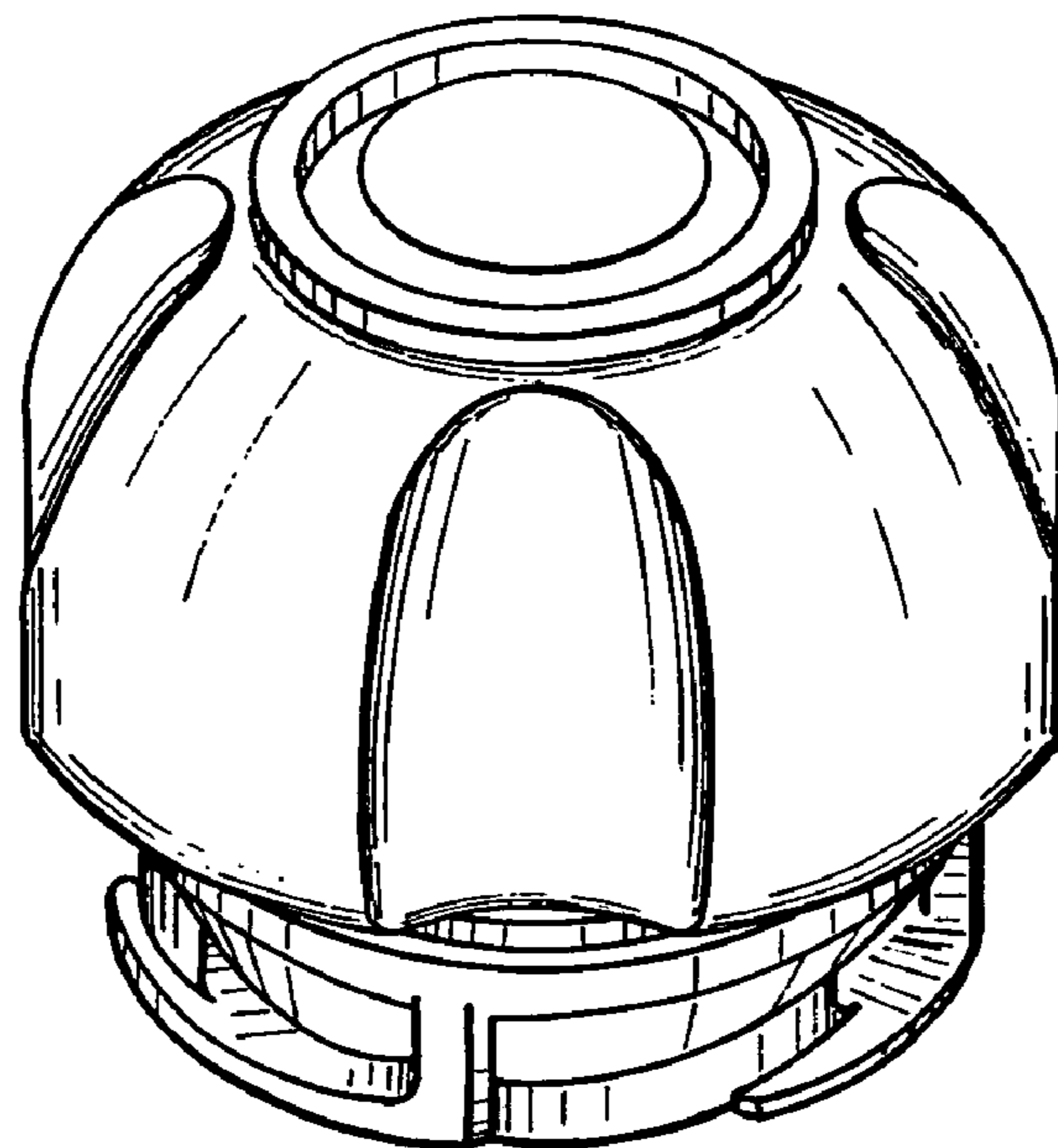


FIG. 1

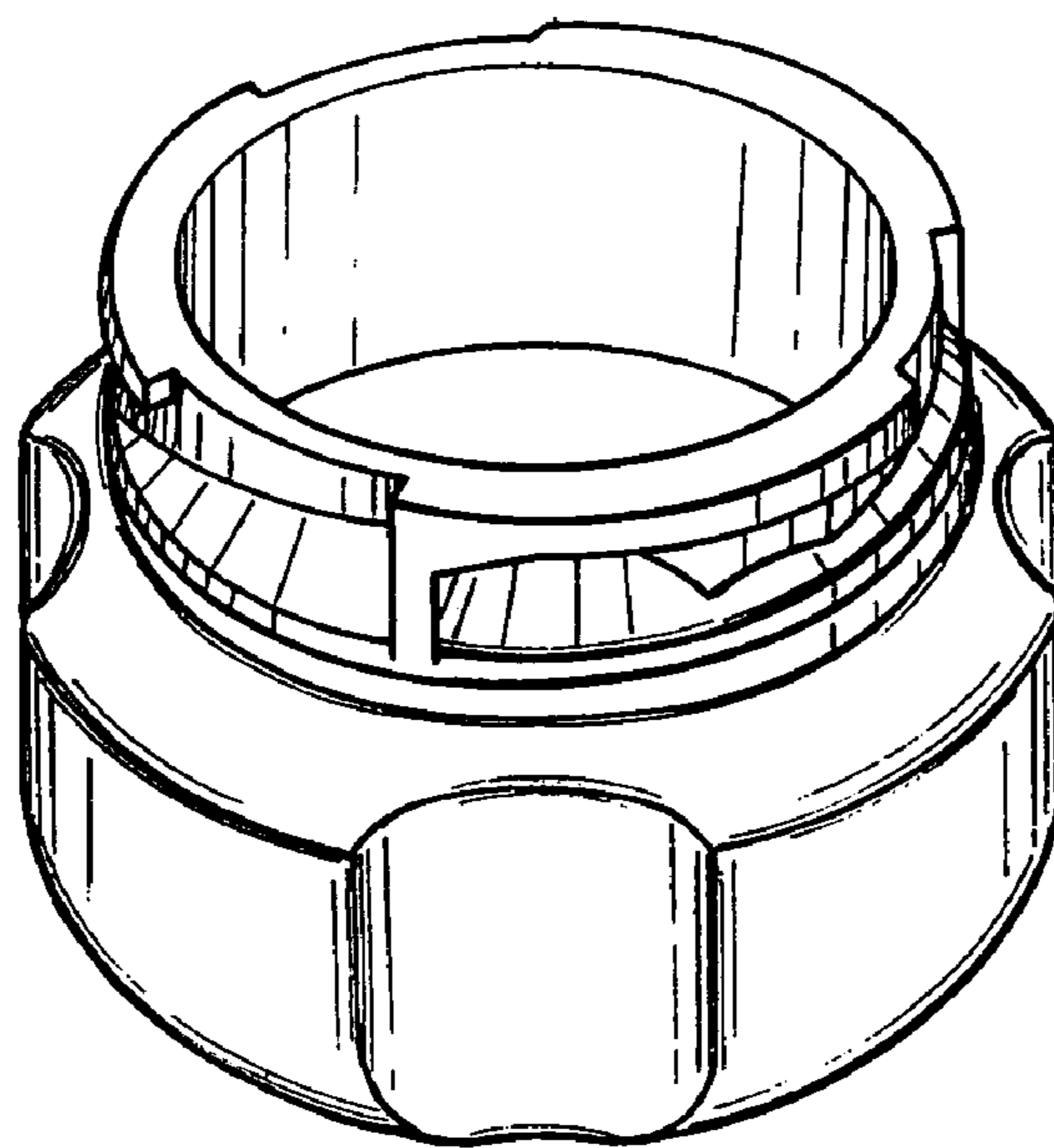


FIG. 2

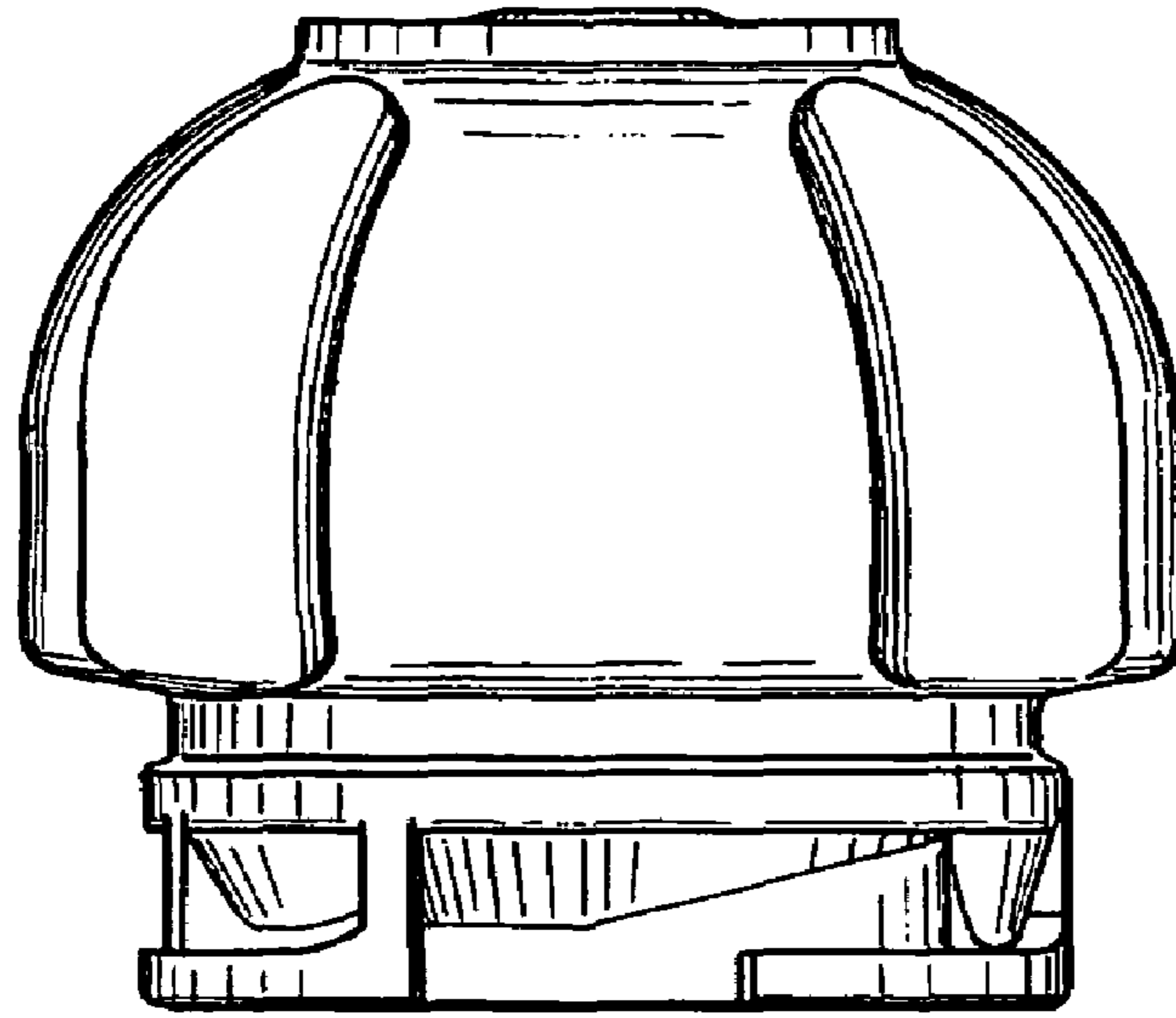


FIG. 3

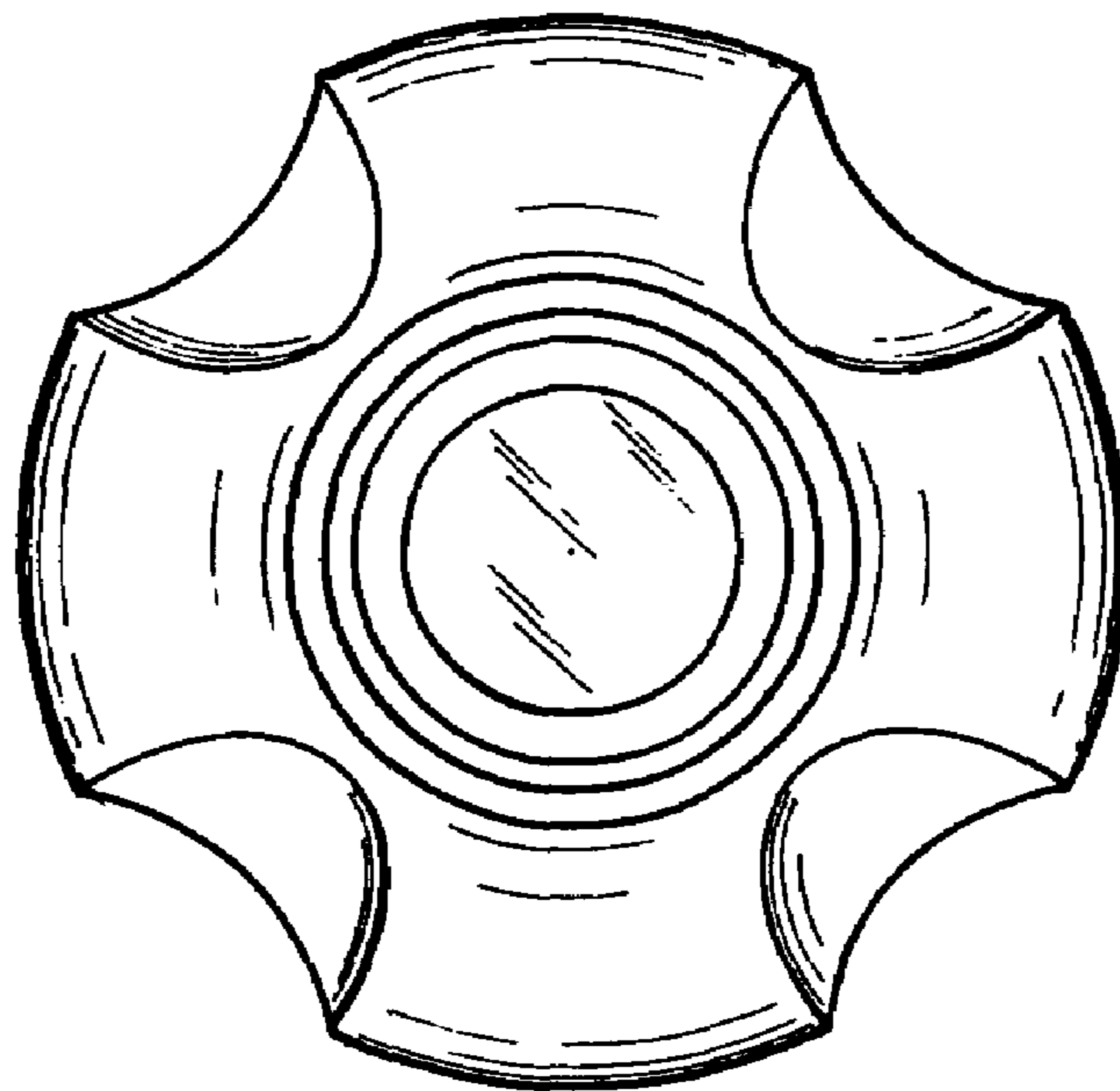


FIG. 4

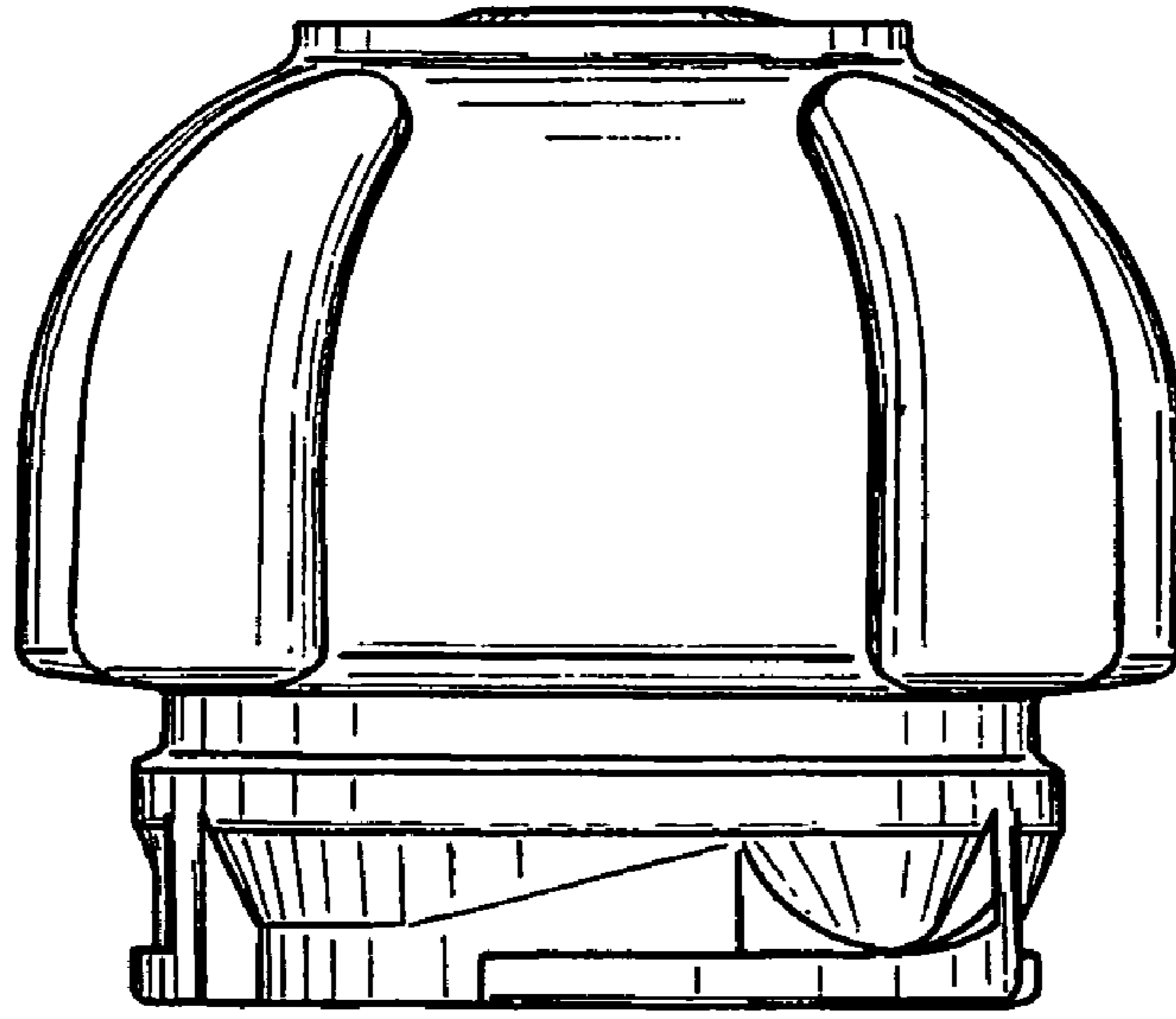


FIG. 5

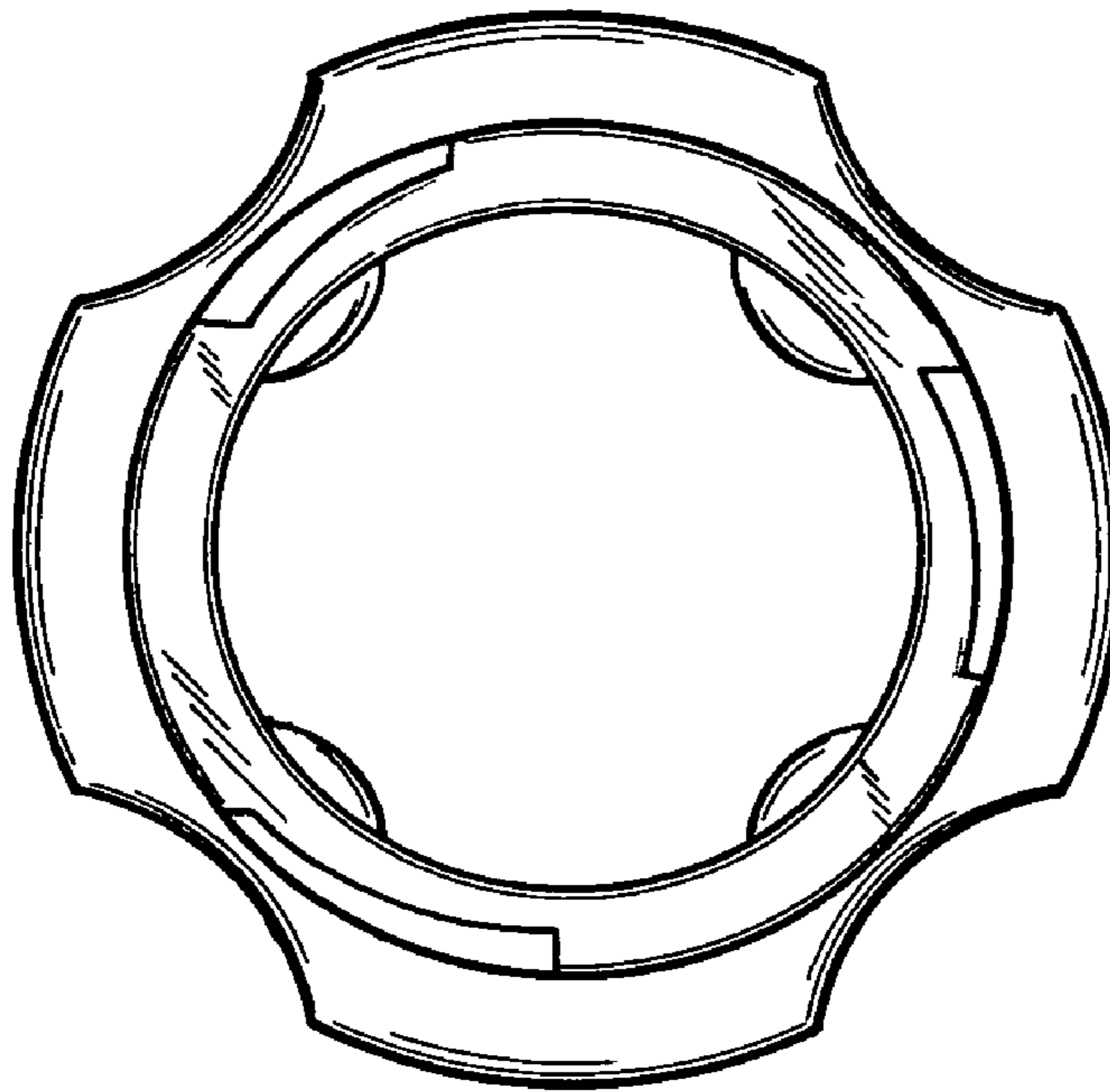


FIG. 6