



US00D571948S

(12) **United States Design Patent**  
**Chen**

(10) **Patent No.:** **US D571,948 S**

(45) **Date of Patent:** **\*\* Jun. 24, 2008**

(54) **LAMPSHADE**

D464,759 S \* 10/2002 Thompson ..... D26/89  
D526,736 S \* 8/2006 Blackman ..... D26/76

(75) Inventor: **Meiric Chen**, Hsin Chuang (TW)

\* cited by examiner

(73) Assignee: **Seed Lighting Design Co., Ltd.**, Hsin Chuang, Taipei Hsien (TW)

*Primary Examiner*—Freda S. Nunn  
*Assistant Examiner*—Kevin K Rudzinski

(\*\*) Term: **14 Years**

(57) **CLAIM**

(21) Appl. No.: **29/299,444**

The ornamental design for a lampshade, as shown and described.

(22) Filed: **Dec. 26, 2007**

(51) **LOC (8) Cl.** ..... **26-99**

**DESCRIPTION**

(52) **U.S. Cl.** ..... **D26/118**

(58) **Field of Classification Search** ..... D26/152,  
D26/85, 118, 138, 154, 67, 60, 64, 137, 120,  
D26/22, 26, 62, 72, 73, 79, 88, 93, 113, 119,  
D26/123, 124, 128, 135, 153, 142, 149, 65,  
D26/63, 2; 362/94, 145, 147, 151, 171, 178,  
362/182, 647, 649, 650, 651, 351, 356, 359,  
362/363, 403, 404, 405, 407, 410

FIG. 1 is a perspective view of a lampshade showing my new design;

FIG. 2 is front elevational view thereof;

FIG. 3 is rear elevational view thereof;

FIG. 4 is a right side view thereof;

FIG. 5 is a left side view thereof;

FIG. 6 is a top plan view thereof;

FIG. 7 is a bottom plan view thereof;

FIG. 8 is a perspective view thereof wherein the lampshade is installed to a lamp seat; and,

FIG. 9 is another perspective view thereof.

See application file for complete search history.

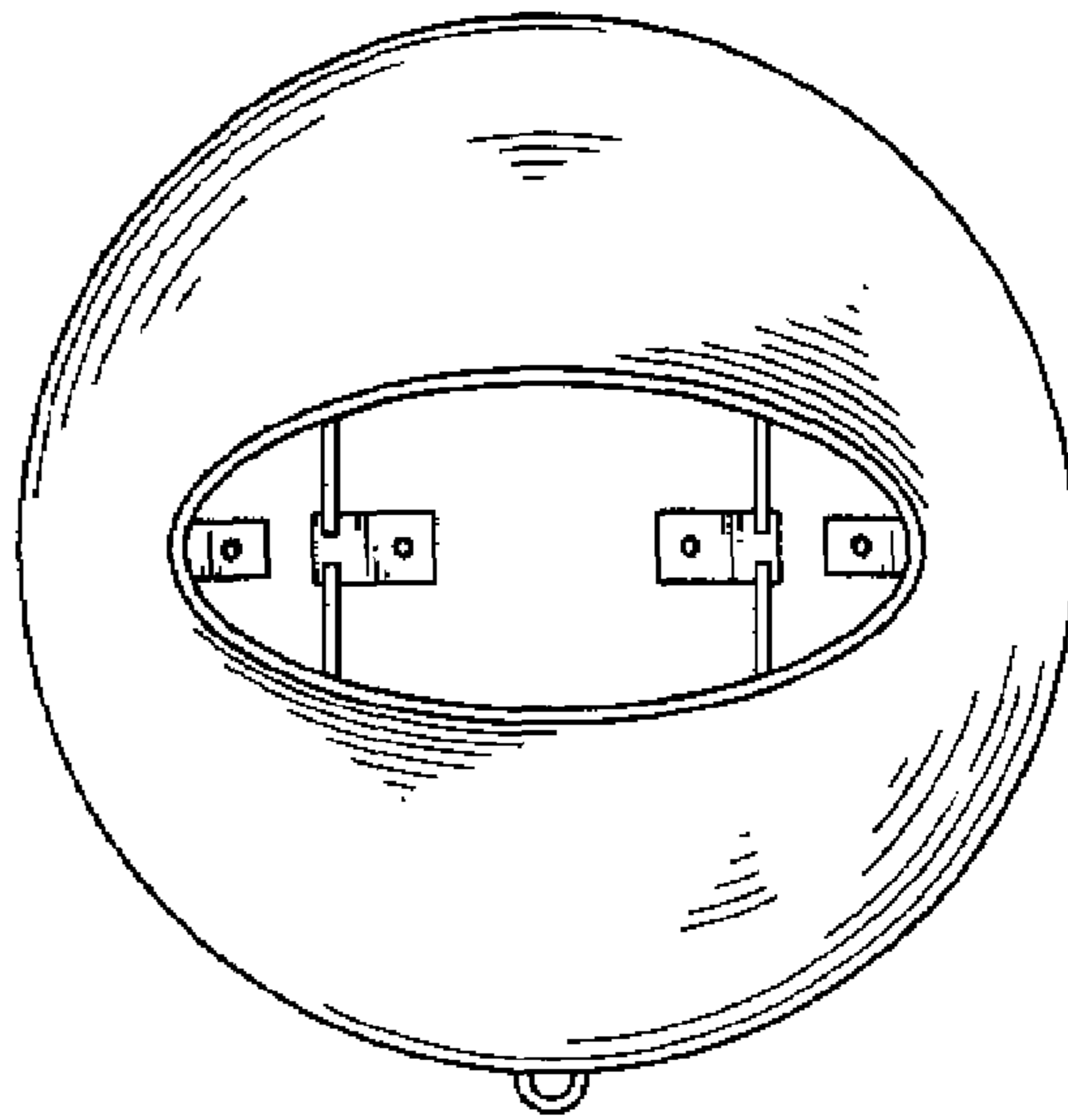
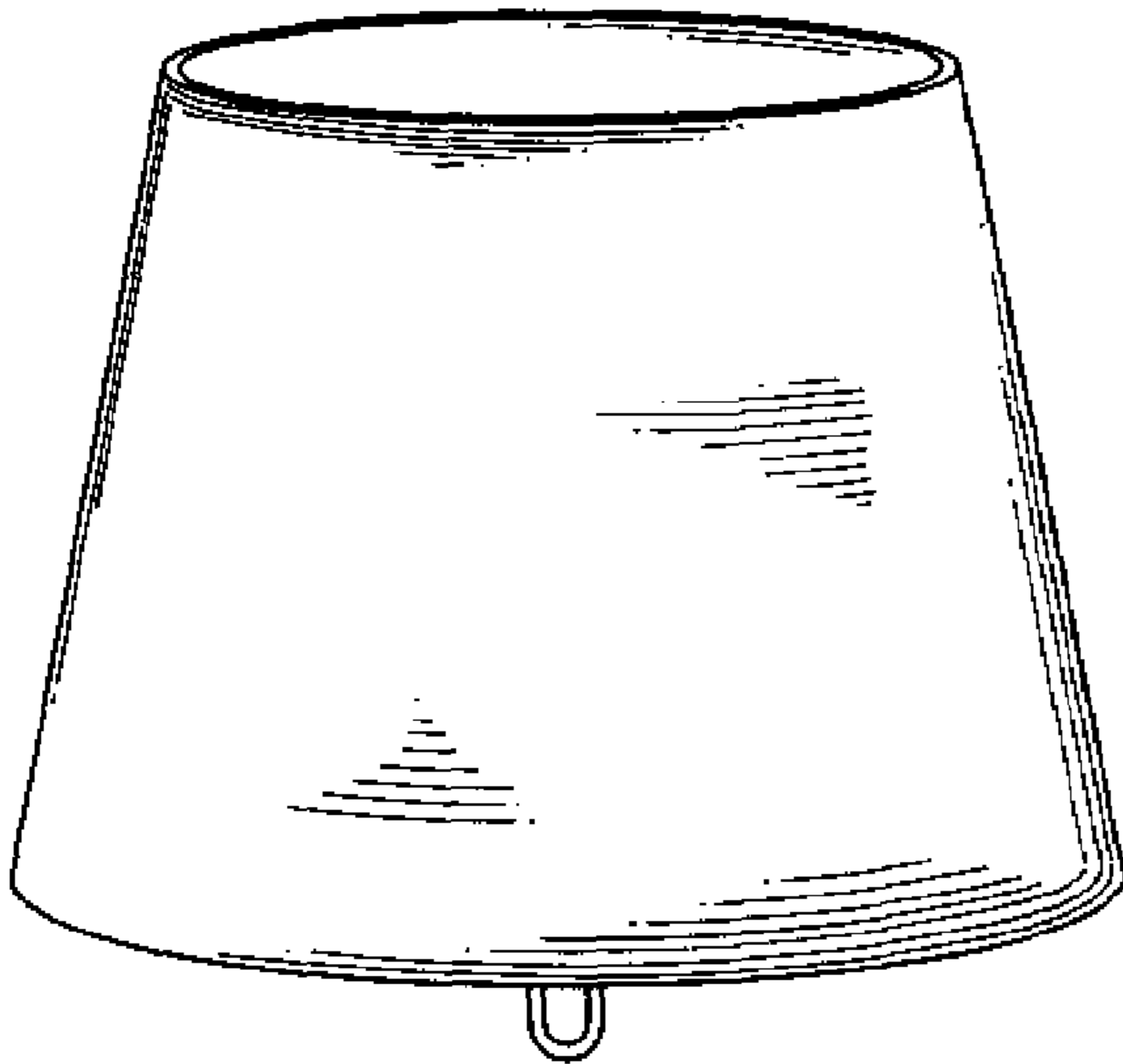
The broken line showing is included for the purpose of illustration only and forms no part of the claimed design.

(56) **References Cited**

**U.S. PATENT DOCUMENTS**

2,826,679 A \* 3/1958 Irmischer et al. .... 362/269  
D200,591 S \* 3/1965 Odle ..... D26/121  
D411,024 S \* 6/1999 Schaak et al. .... D26/62  
D456,093 S \* 4/2002 Rochon ..... D26/72  
D456,550 S \* 4/2002 Clodagh ..... D26/85  
6,398,390 B1 \* 6/2002 Schacht ..... 362/356

**1 Claim, 5 Drawing Sheets**



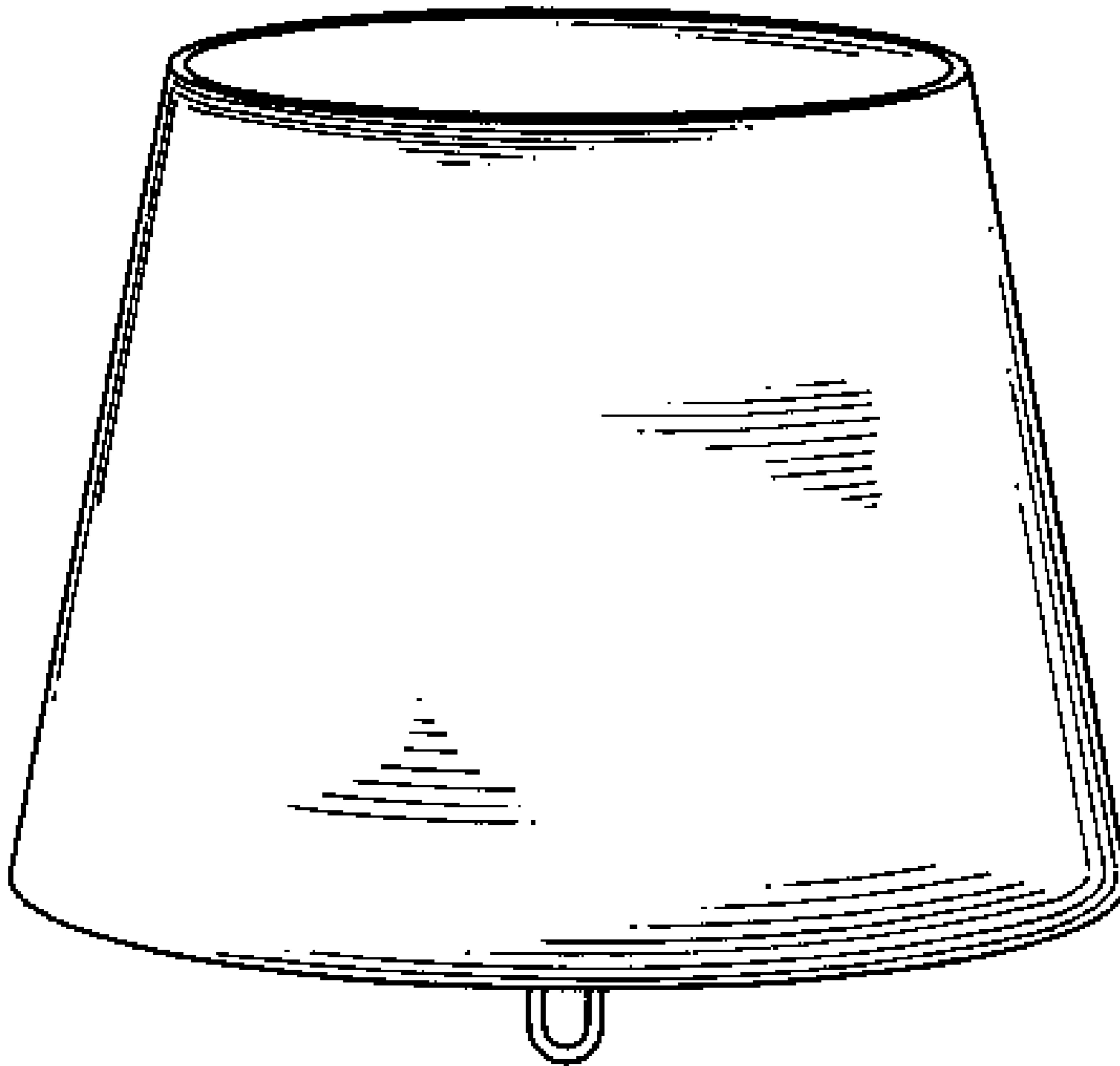


FIG. 1

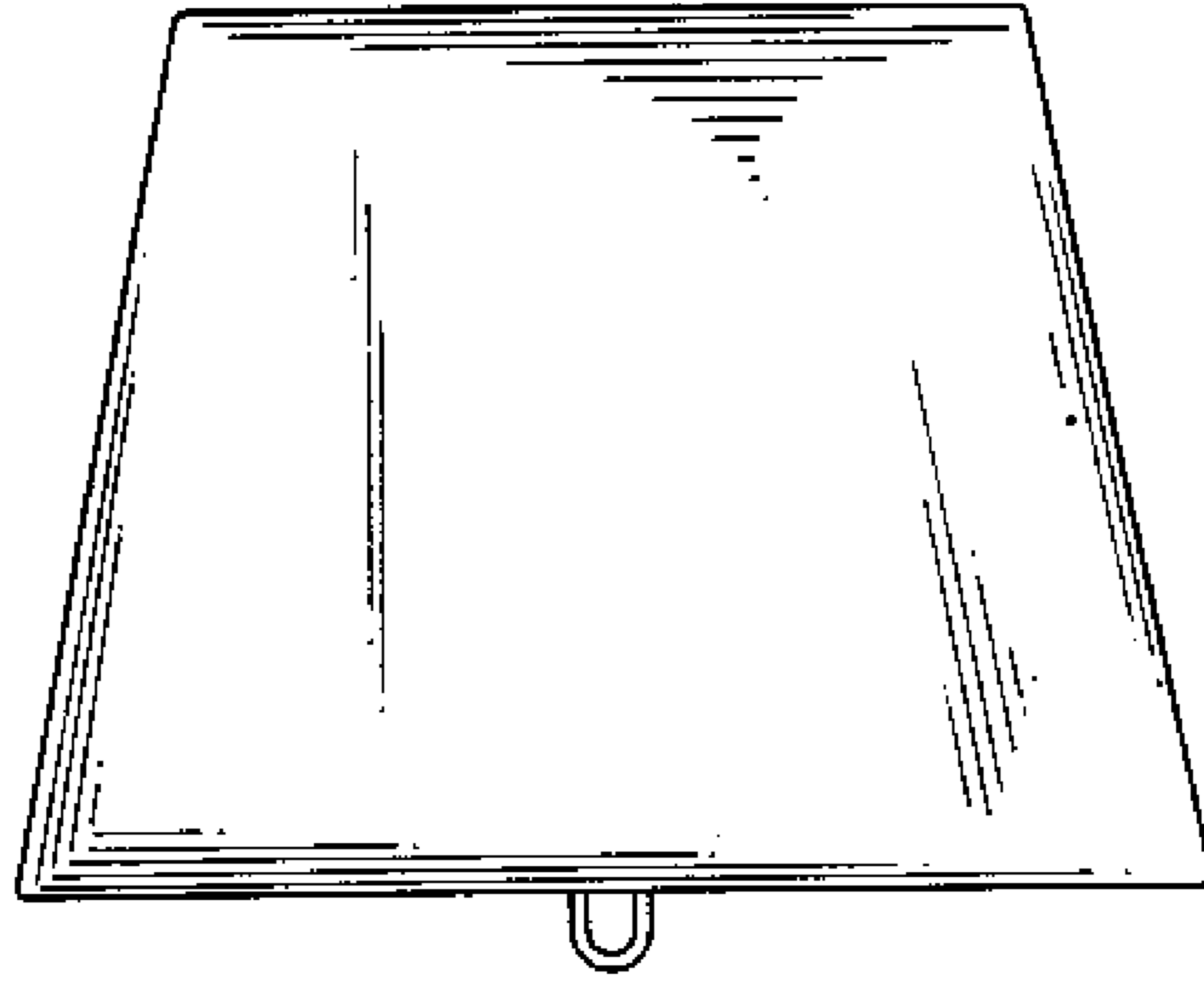


FIG. 2

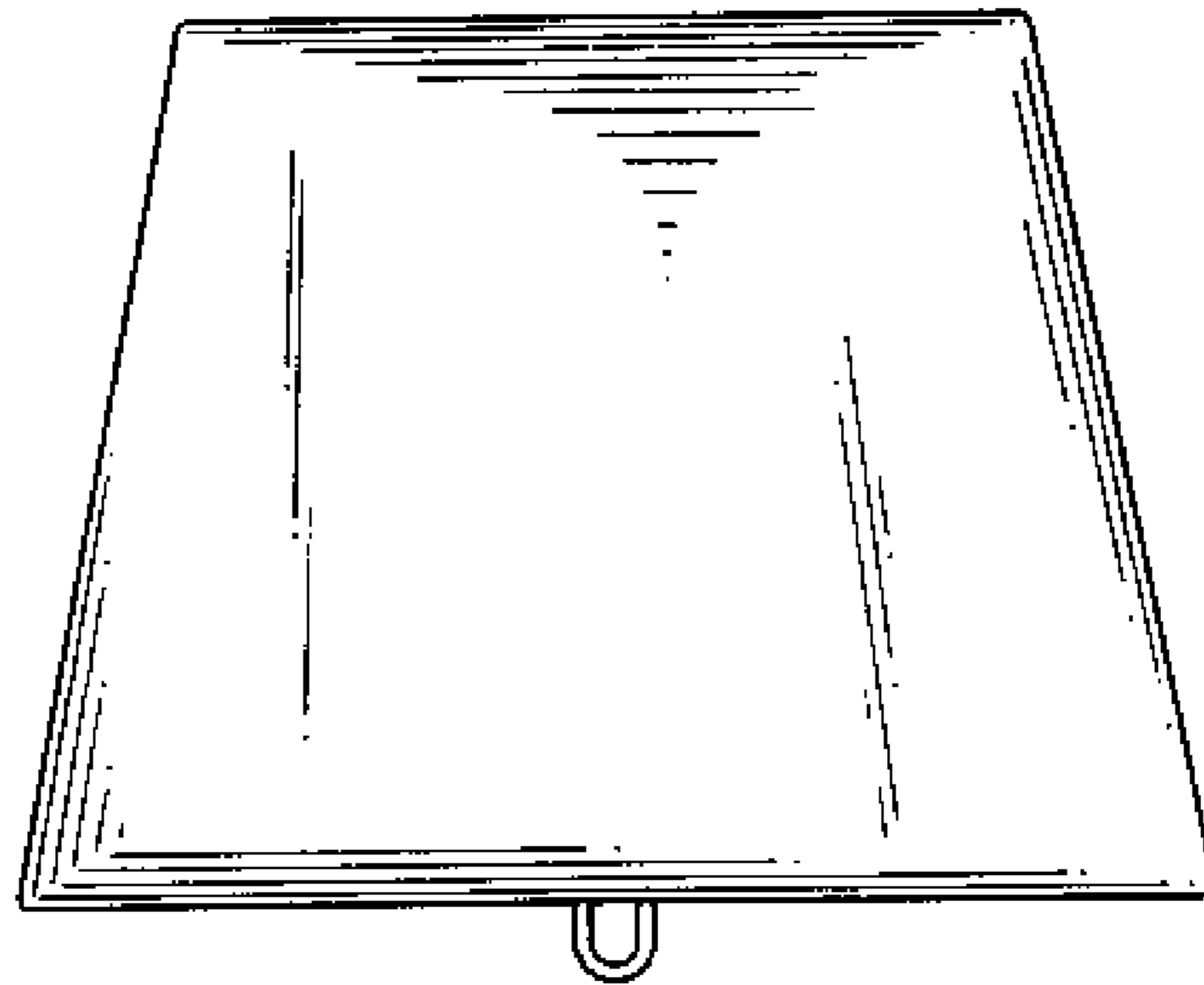


FIG. 3

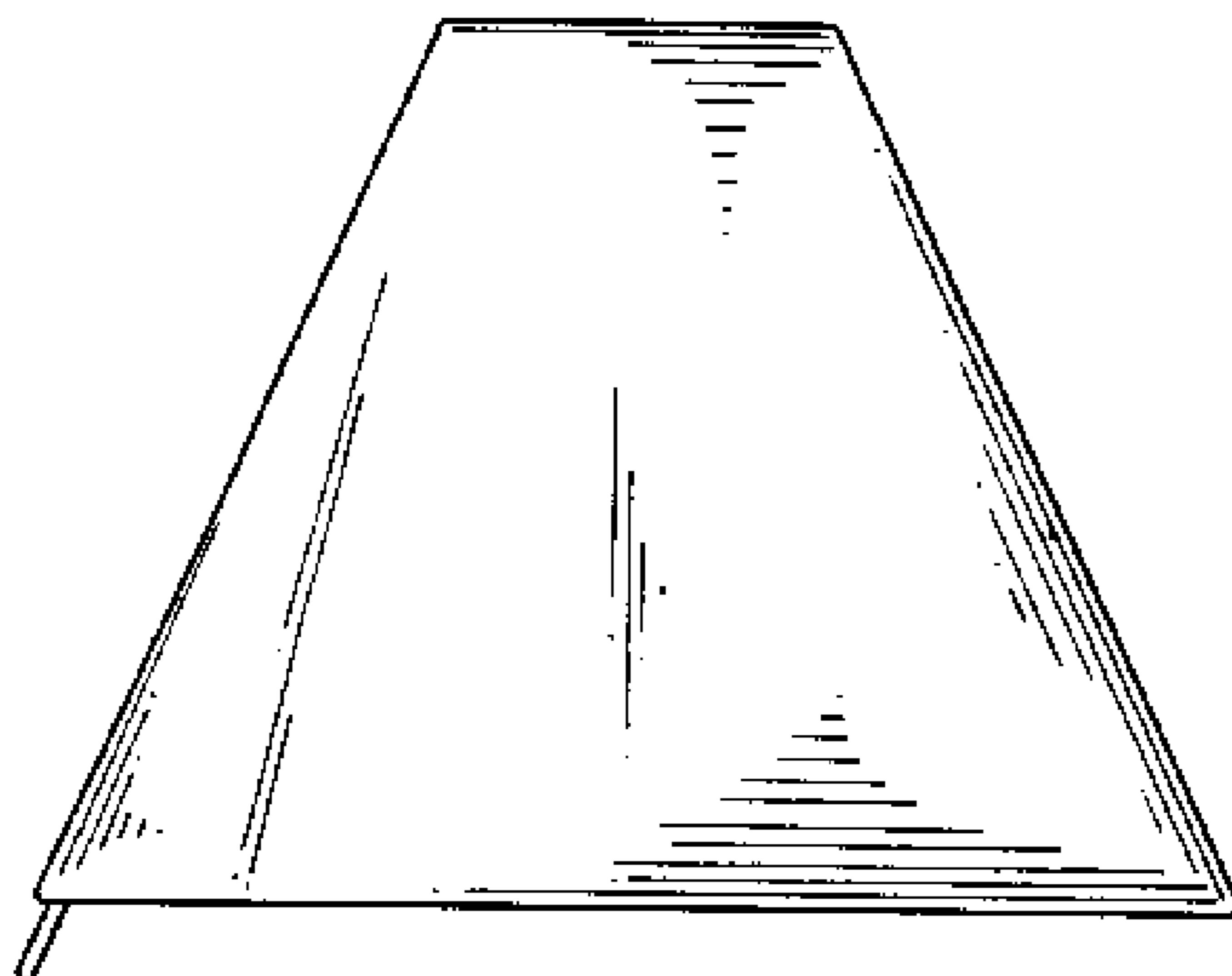


FIG. 4

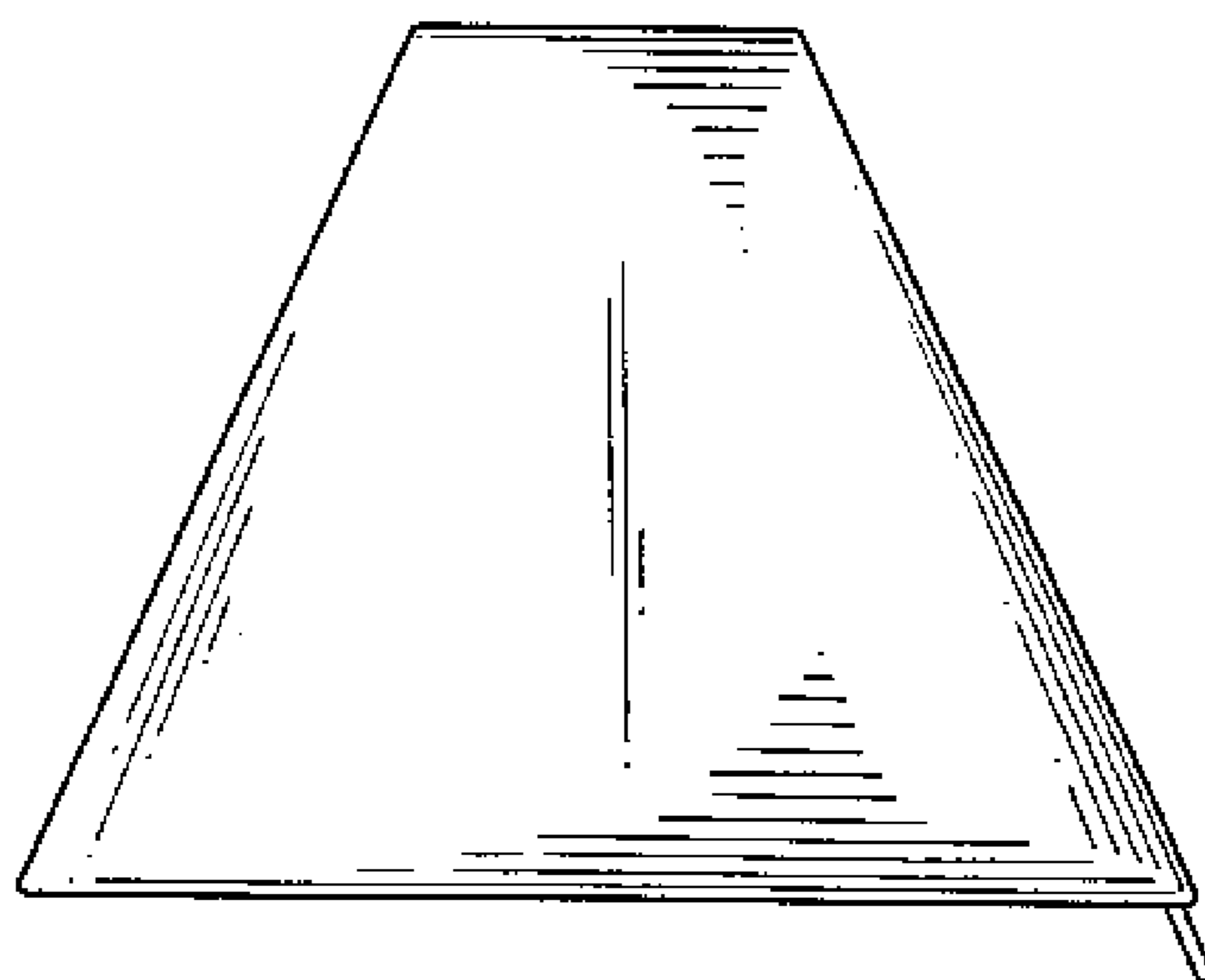


FIG. 5

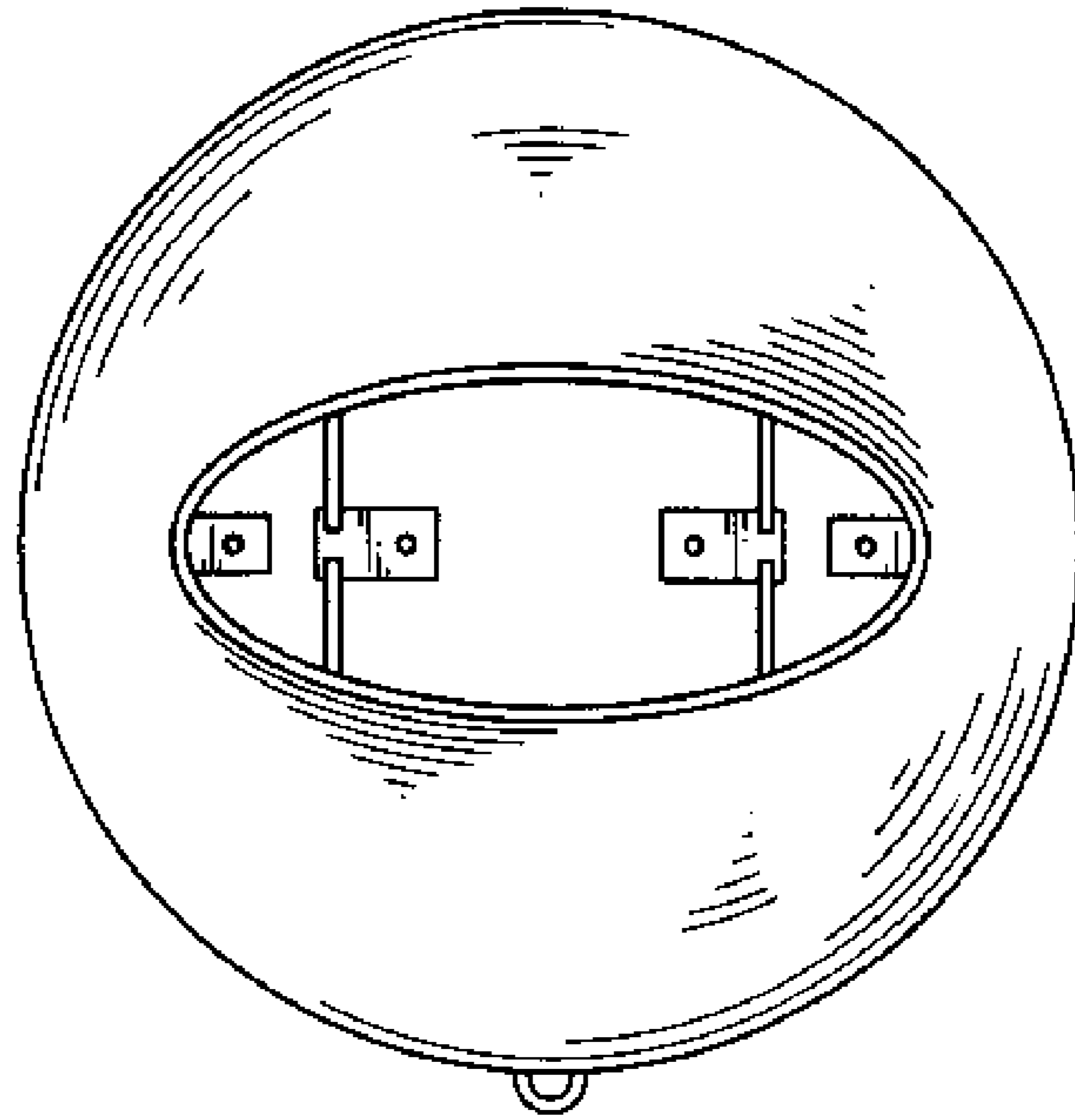


FIG. 6

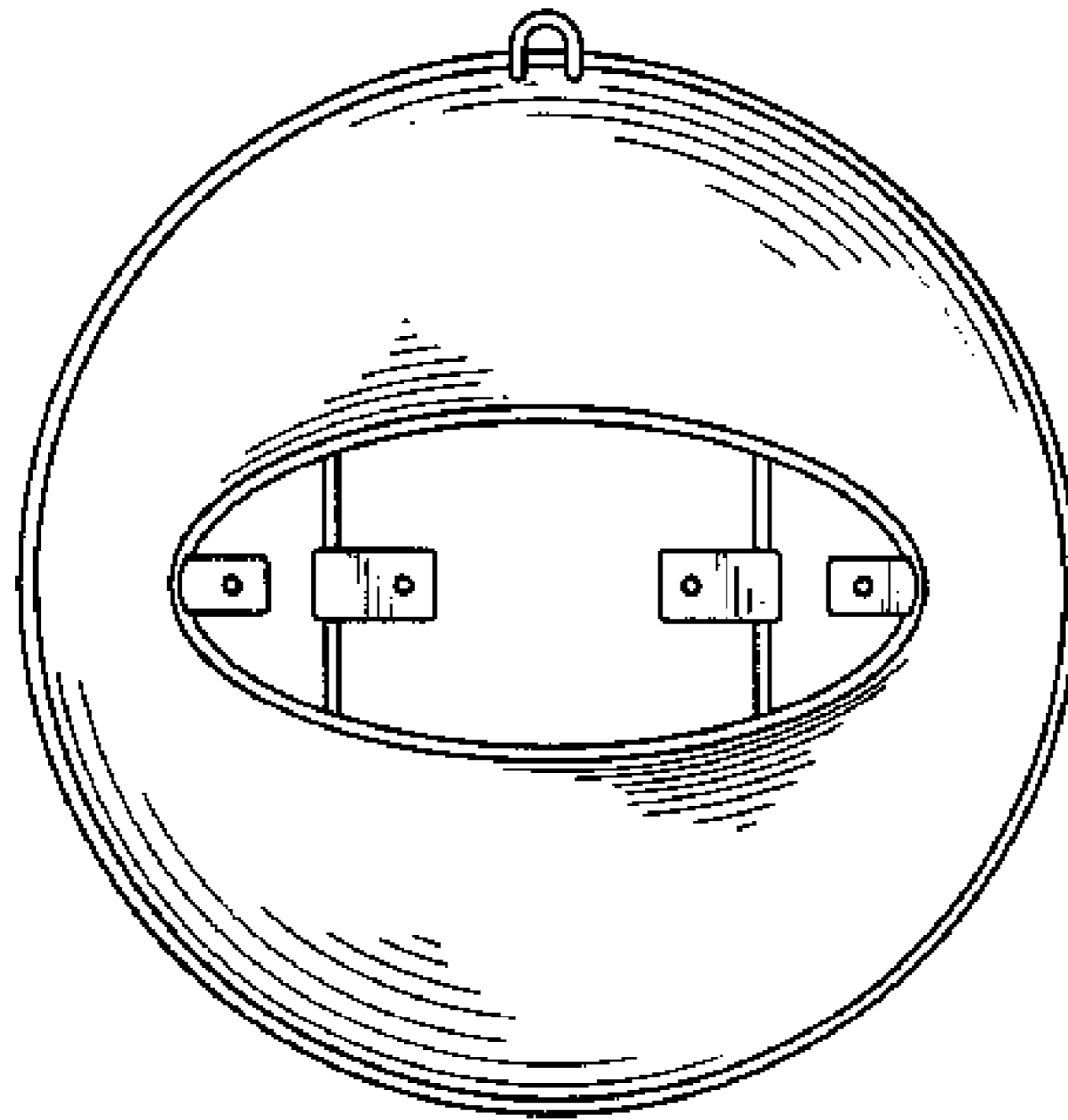


FIG. 7

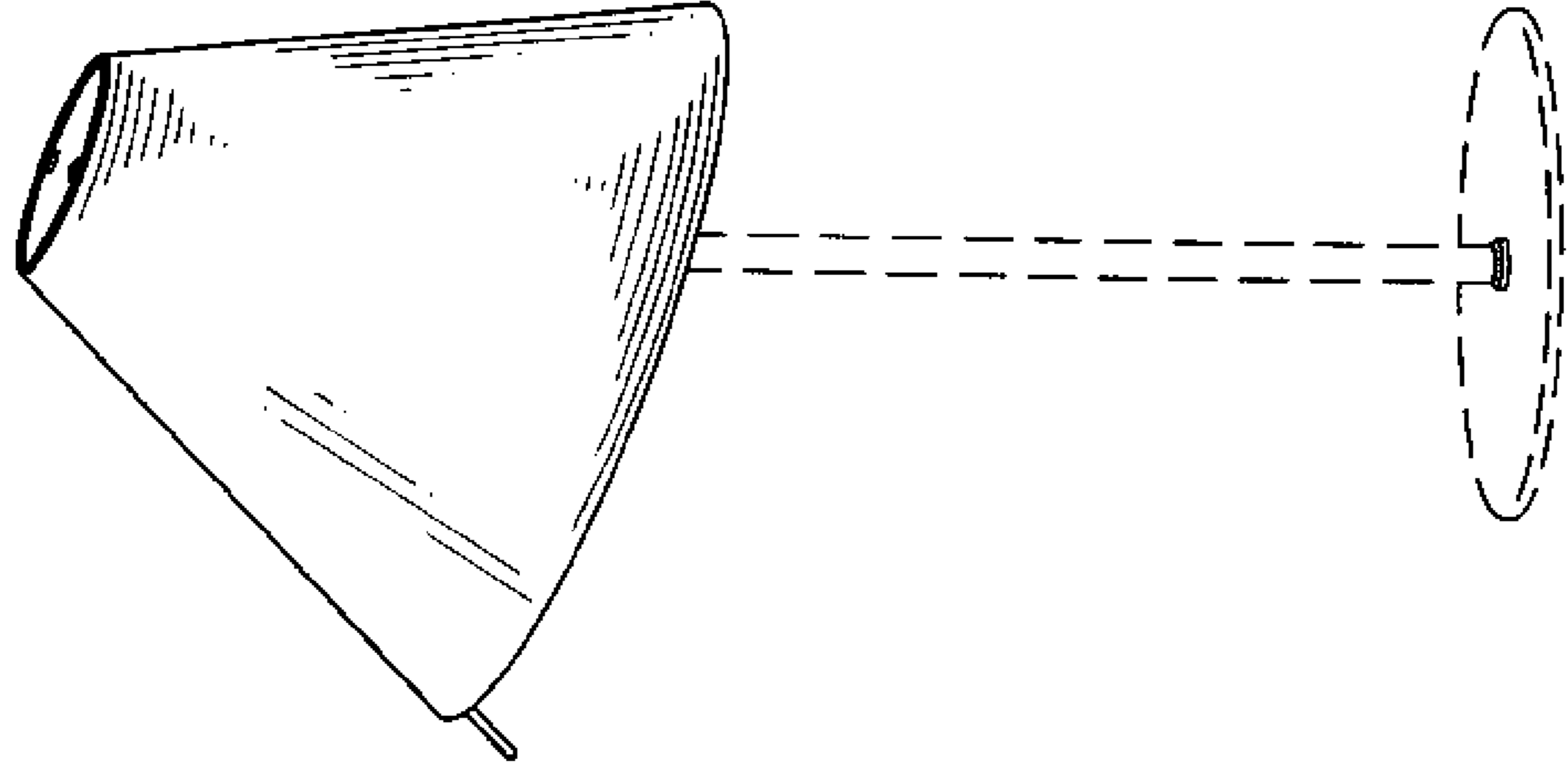


FIG. 9

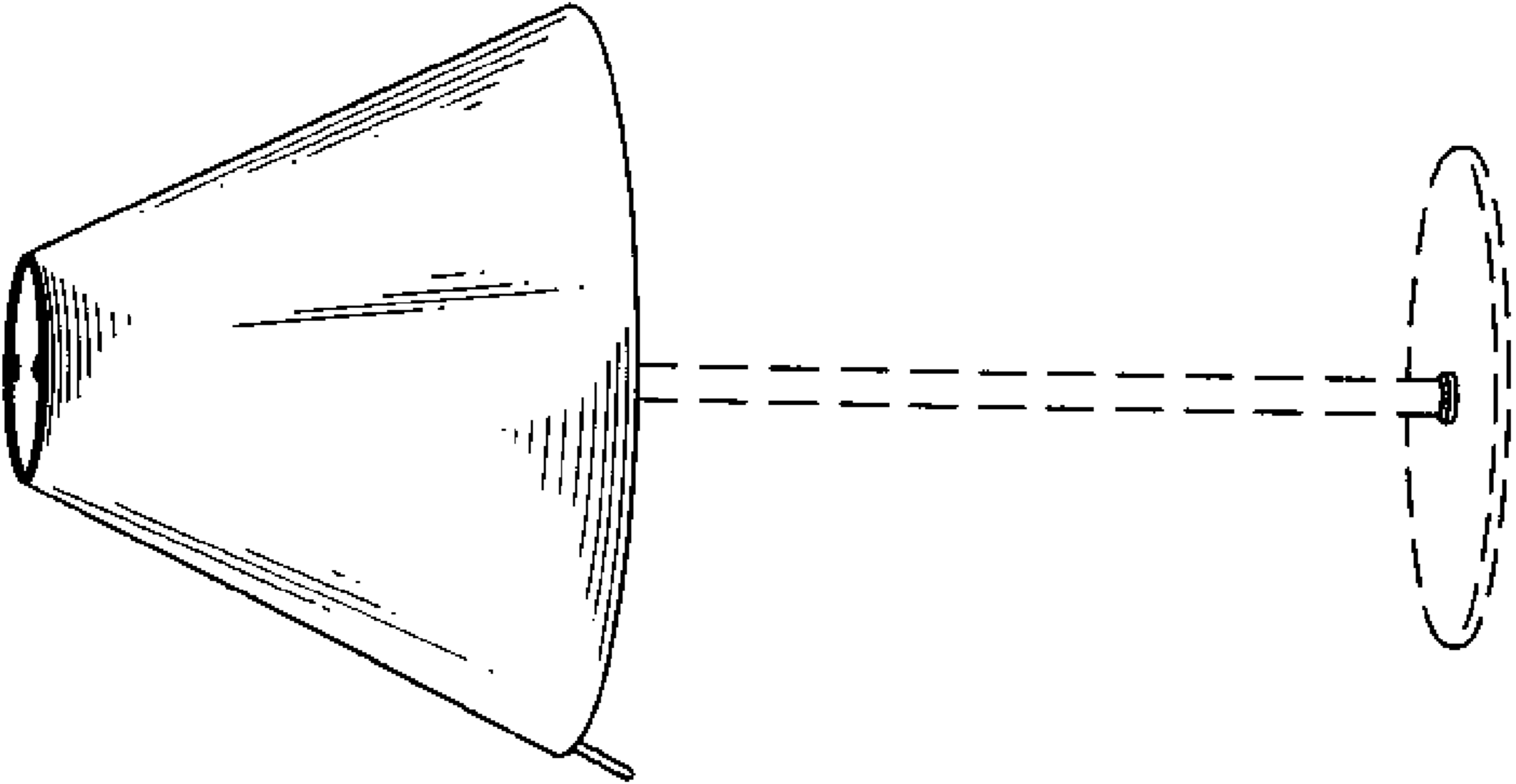


FIG. 8