



US00D571944S

(12) **United States Design Patent**
Pickard et al.

(10) **Patent No.:** **US D571,944 S**
(45) **Date of Patent:** **** Jun. 24, 2008**

(54) **LIGHTING DEVICE**

(75) Inventors: **Paul Kenneth Pickard**, Morrisville, NC (US); **James Michael Lay**, Morrisville, NC (US)

(73) Assignee: **Cree LED Lighting Solutions, Inc.**, Durham, NC (US)

(**) Term: **14 Years**

(21) Appl. No.: **29/279,589**

(22) Filed: **May 3, 2007**

(51) **LOC (8) Cl.** **26-05**

(52) **U.S. Cl.** **D26/74**

(58) **Field of Classification Search** D26/1-3, D26/74-79, 118, 131; 362/27.1, 118, 147-148, 362/287, 348, 364-368, 372, 427, 455, 647, 362/802; 439/409, 419; 248/343

See application file for complete search history.

(56) **References Cited**

U.S. PATENT DOCUMENTS

382,210 A	5/1888	Black
D50,559 S	4/1917	Martin
1,674,165 A	6/1928	Dorey
D79,309 S	8/1929	Sanford
2,010,322 A	8/1935	Riddell
D107,878 S	1/1938	Levy
D115,970 S	8/1939	Stewart
D160,640 S	10/1950	Magroch
2,835,791 A	5/1958	Horwitz
2,878,425 A	3/1959	Kudoh
3,040,172 A	6/1962	Kingsley
D196,618 S	10/1963	Hammes
D197,985 S	4/1964	Dawson
3,330,951 A	7/1967	Neal
3,697,742 A	10/1972	Bobrick
3,705,302 A	12/1972	Judge et al.
3,950,638 A	4/1976	Kent et al.
D247,562 S	3/1978	Walker et al.
4,173,037 A	10/1979	Henderson et al.
4,241,393 A	12/1980	Olson

D259,518 S	6/1981	Garcia et al.
D264,007 S	4/1982	Heritage
4,336,575 A *	6/1982	Gilman 362/147
4,388,677 A *	6/1983	Druffel 362/276
4,453,203 A	6/1984	Pate
4,703,406 A	10/1987	Elliott et al.
4,729,080 A	3/1988	Fremont et al.
4,761,721 A	8/1988	Willing
4,803,603 A *	2/1989	Carson 361/150
D302,860 S	8/1989	Anema
4,972,339 A *	11/1990	Gabrius 362/366

(Continued)

OTHER PUBLICATIONS

U.S. Appl. No. 29/267,856, filed Oct. 23, 2006, Chan et al.

(Continued)

Primary Examiner—Robert M. Spear
Assistant Examiner—Susan E Krakower
(74) *Attorney, Agent, or Firm*—Burr & Brown

(57) **CLAIM**

The ornamental design for a lighting device, as shown and described.

DESCRIPTION

FIG. 1 is a back view of the lighting device in accordance with our new design;

FIG. 2 is a bottom view thereof;

FIG. 3 is a front side view thereof;

FIG. 4 is a left side view thereof;

FIG. 5 is a right view thereof;

FIG. 6 is a top view thereof;

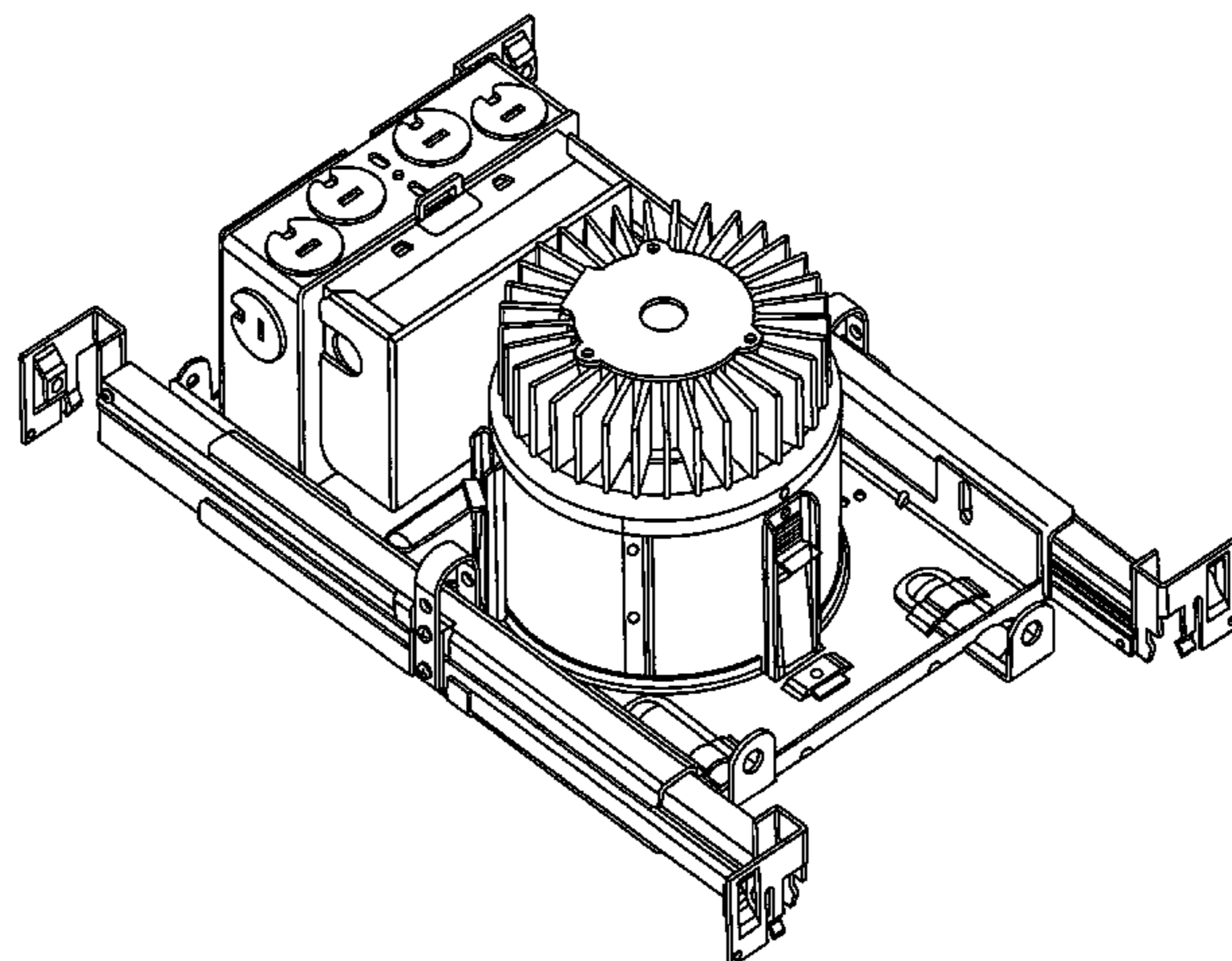
FIG. 7 is a top, right, front, perspective view thereof;

FIG. 8 is a top, left, front, perspective view thereof; and,

FIG. 9 is a top, right, front, perspective view thereof, with associated environmental structure in broken lines.

The broken lines in the drawings represent unclaimed environmental subject matter.

1 Claim, 9 Drawing Sheets



U.S. PATENT DOCUMENTS

D326,163 S 5/1992 Sonneman
 D326,537 S 5/1992 Gattari
 5,183,330 A 2/1993 Rishel et al.
 D340,514 S 10/1993 Liao
 5,287,259 A 2/1994 Lautzenheiser
 D347,292 S 5/1994 Roos et al.
 D352,797 S 11/1994 Mehaffey
 D353,910 S 12/1994 Hayman et al.
 5,373,431 A 12/1994 Hayman et al.
 5,440,471 A * 8/1995 Zadeh 362/365
 5,465,199 A 11/1995 Bray et al.
 D370,550 S 6/1996 Lecluze
 D376,667 S 12/1996 Lucluze
 D381,454 S 7/1997 Lecluze
 D383,565 S 9/1997 Demshki et al.
 D386,277 S 11/1997 Lecluze
 D387,466 S 12/1997 Lecluze
 D388,526 S 12/1997 Bray
 D397,490 S 8/1998 Lecluze
 5,800,050 A * 9/1998 Leadford 362/296
 5,823,664 A 10/1998 Demshki et al.
 5,857,766 A * 1/1999 Sieczkowski 362/365
 D410,295 S 5/1999 Lueken et al.
 5,957,574 A * 9/1999 Hentz et al. 362/365
 6,004,011 A * 12/1999 Sieczkowski 362/365
 6,089,732 A * 7/2000 Wright et al. 362/364
 6,095,669 A 8/2000 Cho
 6,123,438 A * 9/2000 Hentz 362/373
 6,179,446 B1 1/2001 Sarmadi
 D437,654 S * 2/2001 Chen D26/74
 6,217,189 B1 4/2001 Nassim
 6,283,430 B1 * 9/2001 Schubert et al. 248/343
 6,375,338 B1 4/2002 Cummings et al.
 6,474,846 B1 11/2002 Kelmelis et al.
 6,505,960 B2 * 1/2003 Schubert et al. 362/365
 D469,916 S 2/2003 Caferro et al.
 D471,314 S 3/2003 Guthrie
 D473,965 S 4/2003 Lecluze
 D474,298 S 5/2003 Lecluze
 D474,300 S 5/2003 Lecluze
 D476,108 S 6/2003 Lecluze
 6,588,922 B1 7/2003 DeCicco
 6,632,006 B1 * 10/2003 Rippel et al. 362/366
 6,655,813 B1 12/2003 Ng
 D485,006 S 1/2004 Huang
 D488,252 S 4/2004 Benghozi
 D488,583 S 4/2004 Benghozi

D490,930 S 6/2004 Snead
 6,755,559 B2 6/2004 Wang et al.
 6,921,186 B1 7/2005 Viskovich
 D516,235 S 2/2006 Rashidi
 D528,673 S 9/2006 Maxik et al.
 D538,951 S 3/2007 Maxik et al.
 D538,952 S 3/2007 Maxik et al.
 D544,128 S 6/2007 Carro
 D545,457 S 6/2007 Chen
 D548,391 S 8/2007 Lecluze
 2003/0142499 A1 7/2003 Chiu
 2003/0185012 A1 10/2003 Sitzema et al.

OTHER PUBLICATIONS

U.S. Appl. No. 29/267,857, filed Oct. 23, 2006, Chan et al.
 U.S. Appl. No. 29/267,911, filed Oct. 23, 2006, Chan et al.
 U.S. Appl. No. 29/267,853, filed Oct. 23, 2006, Chan et al.
 U.S. Appl. No. 29/267,854, filed Oct. 23, 2006, Chan et al.
 U.S. Appl. No. 29/267,860, filed Oct. 23, 2006, Chan et al.
 U.S. Appl. No. 29/267,855, filed Oct. 23, 2006, Chan et al.
 U.S. Appl. No. 29/267,852, filed Oct. 23, 2006, Chan et al.
 U.S. Appl. No. 29/279,351, filed Apr. 27, 2007, Chan et al.
 U.S. Appl. No. 29/279,352, filed Apr. 27, 2007, Chan et al.
 U.S. Appl. No. 29/279,354, filed Apr. 27, 2007, Chan et al.
 U.S. Appl. No. 29/279,355, filed Apr. 27, 2007, Chan et al.
 U.S. Appl. No. 29/279,357, filed Apr. 27, 2007, Pickard et al.
 U.S. Appl. No. 29/279,591, filed May 3, 2007, Pickard et al.
 U.S. Appl. No. 29/284,294, filed Sep. 5, 2007, Pickard et al.
 DOE SSL Commercial Product Testing Program Report, DOE SSL CPTP Report Product Test Reference # CPTP 07-09 Replacement Lamp, (2007), pp. 1-23.
 DOE SSL Commercial Product Testing Program Report, DOE SSL CPTP Report Product Test Reference # CPTP 07-04 Downlight, (2007), pp. 1-13.
 DOE SSL Commercial Product Testing Program Report, DOE SSL CPTP Report Product Test Reference # CPTP 07-05 Downlight, (2007), pp. 1-13.
 DOE SSL Commercial Product Testing Program Report, DOE SSL CPTP Report Product Test Reference # CPTP 07-06 Replacement Lamp, (2007), pp. 1-22.
 DOE SSL Commercial Product Testing Program Report, DOE SSL CPTP Report Product Test Reference # CPTP 07-08 Replacement Lamp, (2007), pp. 1-22.
 EVO Lighting—Solid State LED Lighting, http://www.renais-sancelighting.com/index_PA.php?t=line&Type=1, evo is a product of RL Light, 2007, pp. 1-15.

* cited by examiner

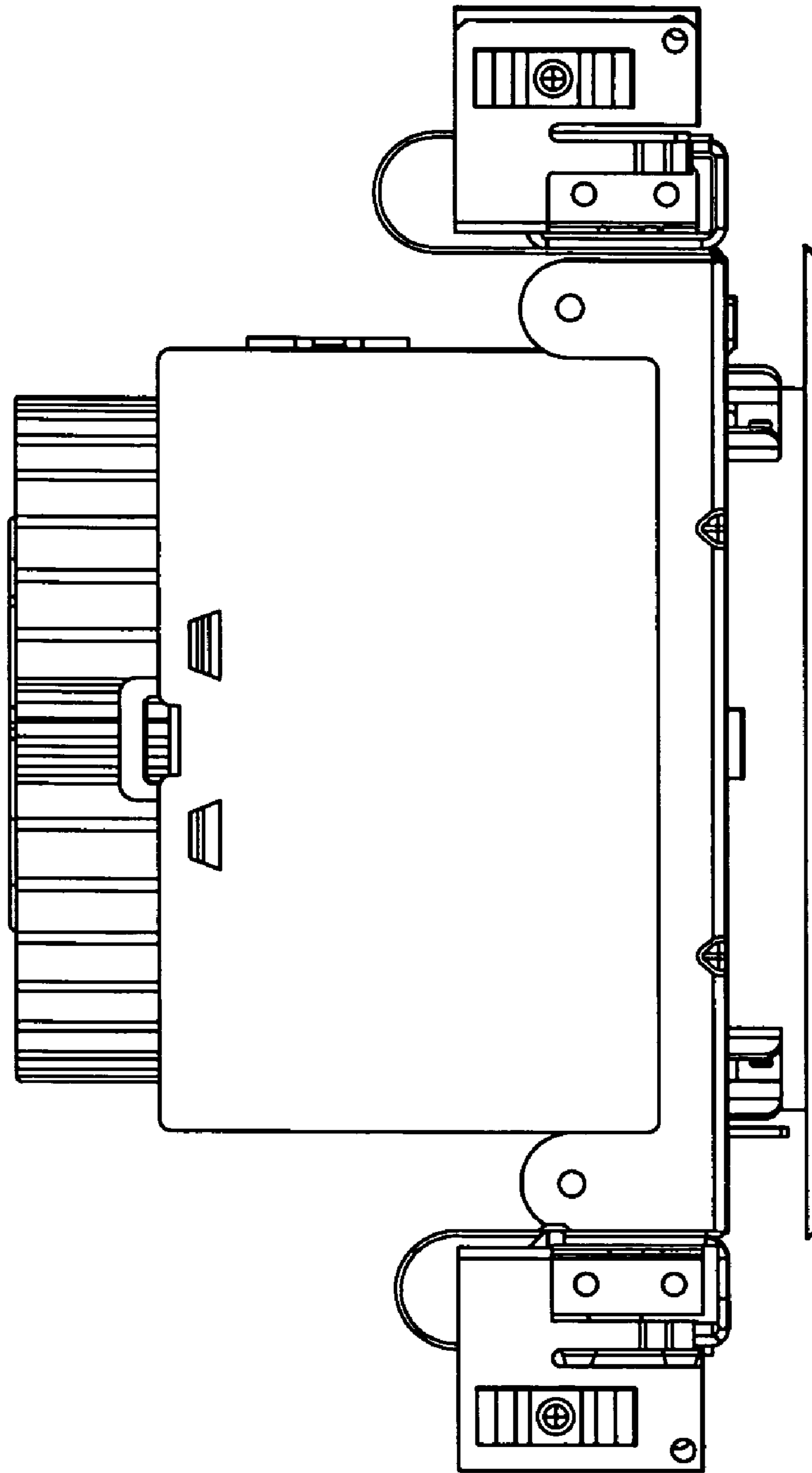


FIG.1

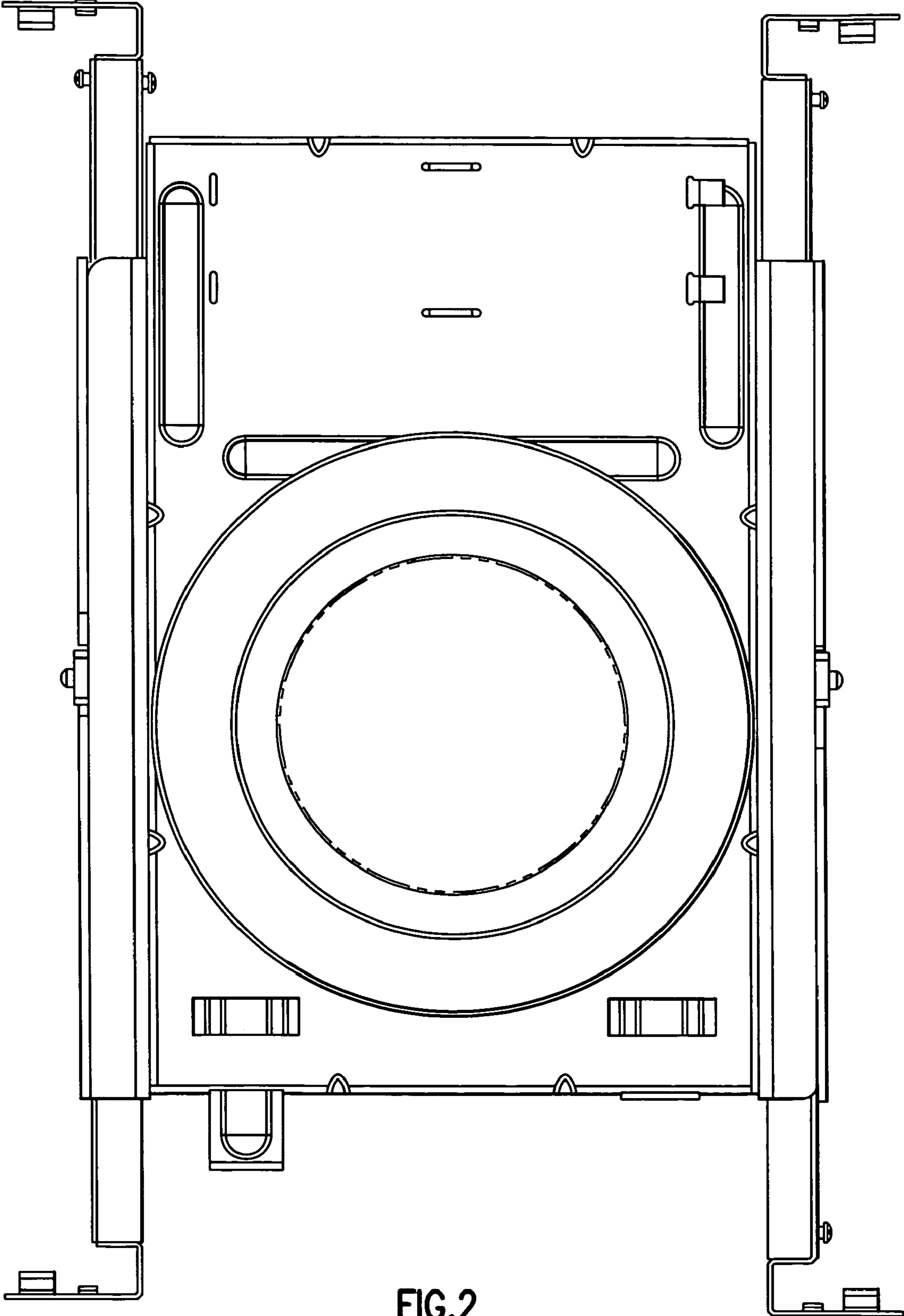


FIG.2

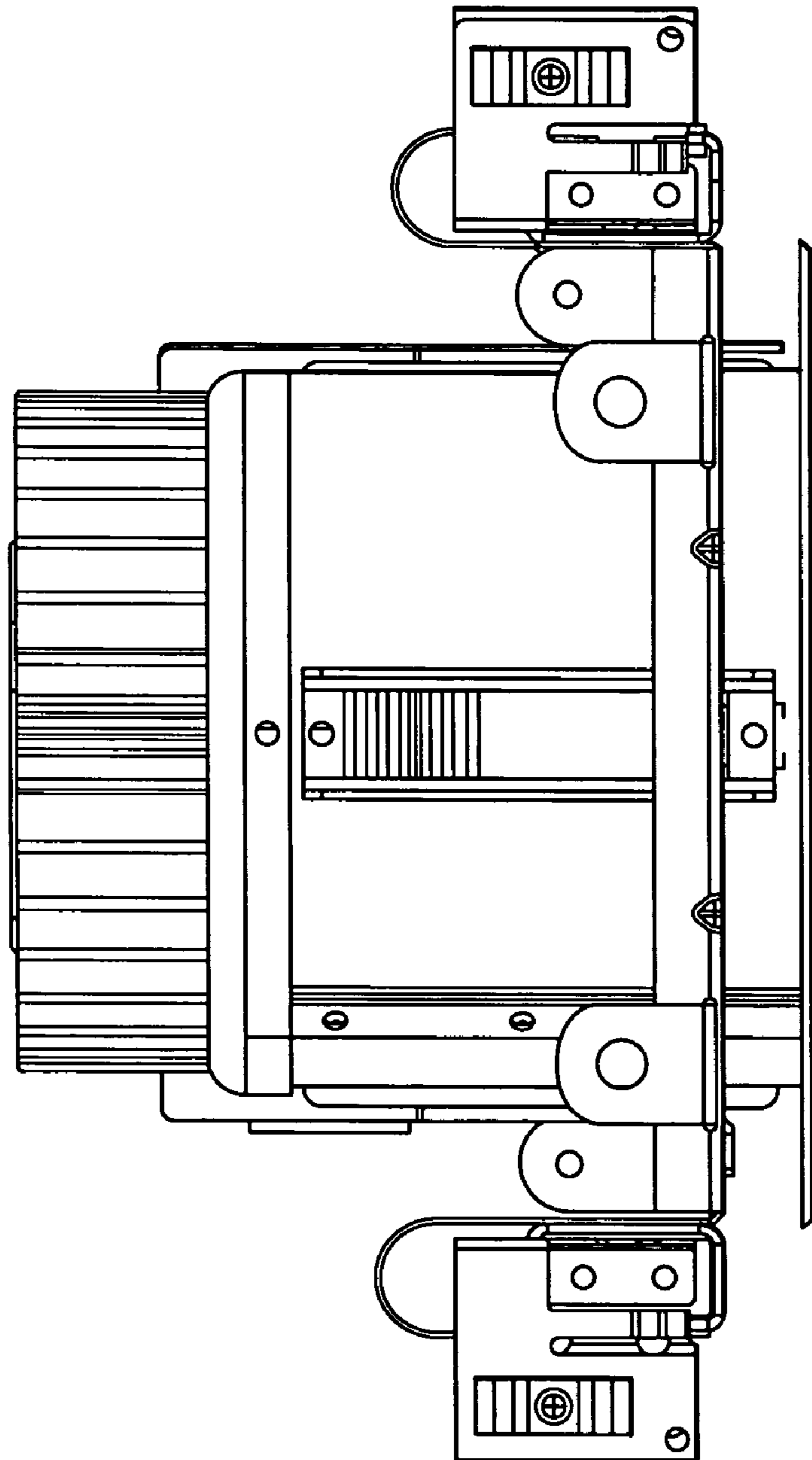


FIG. 3

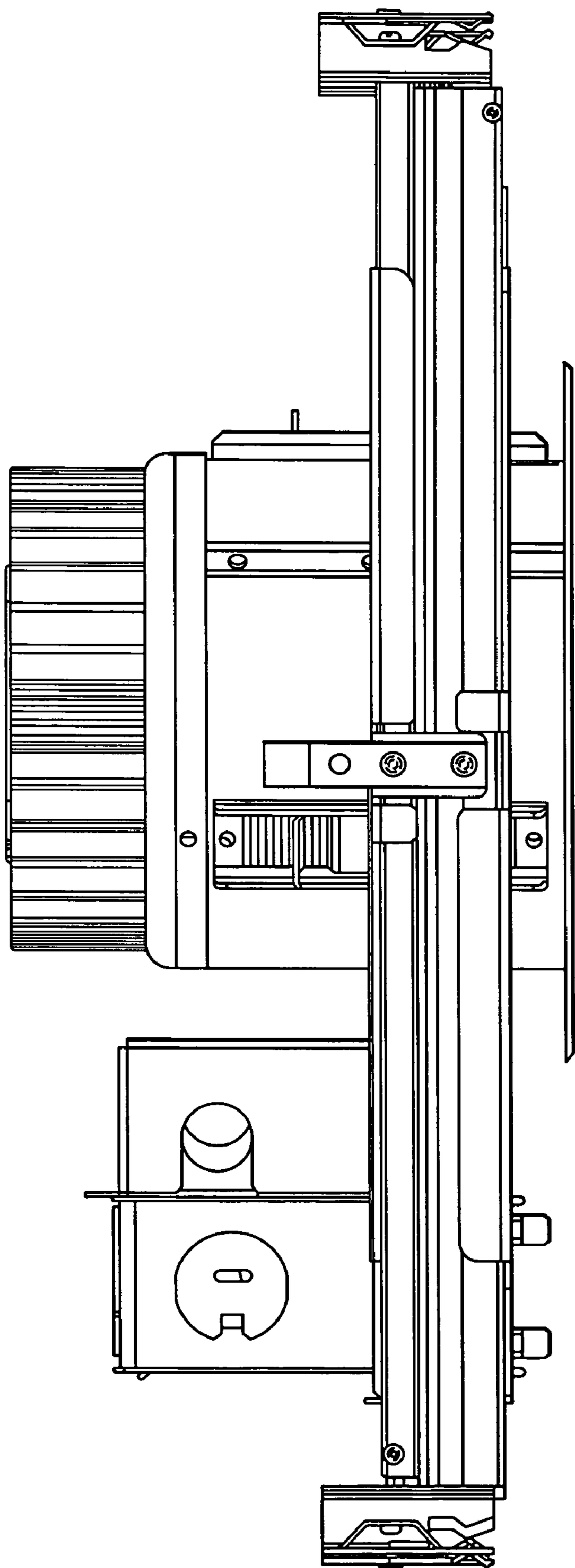


FIG. 4

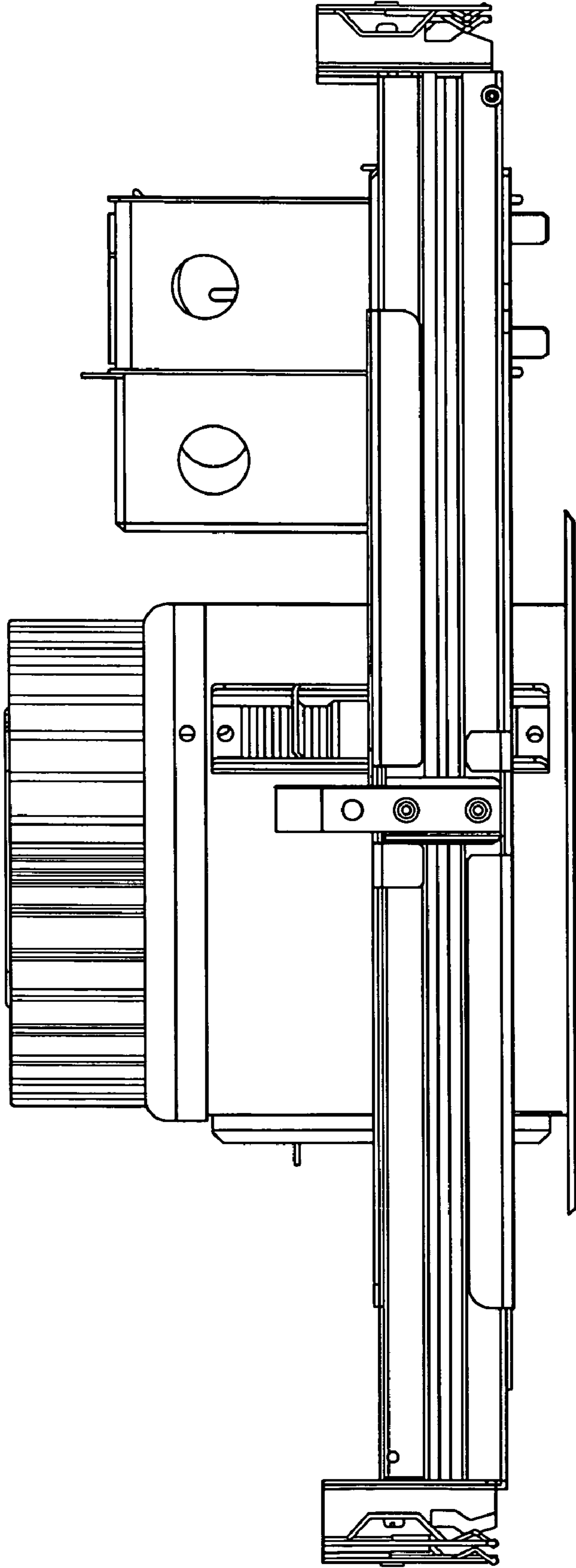


FIG. 5

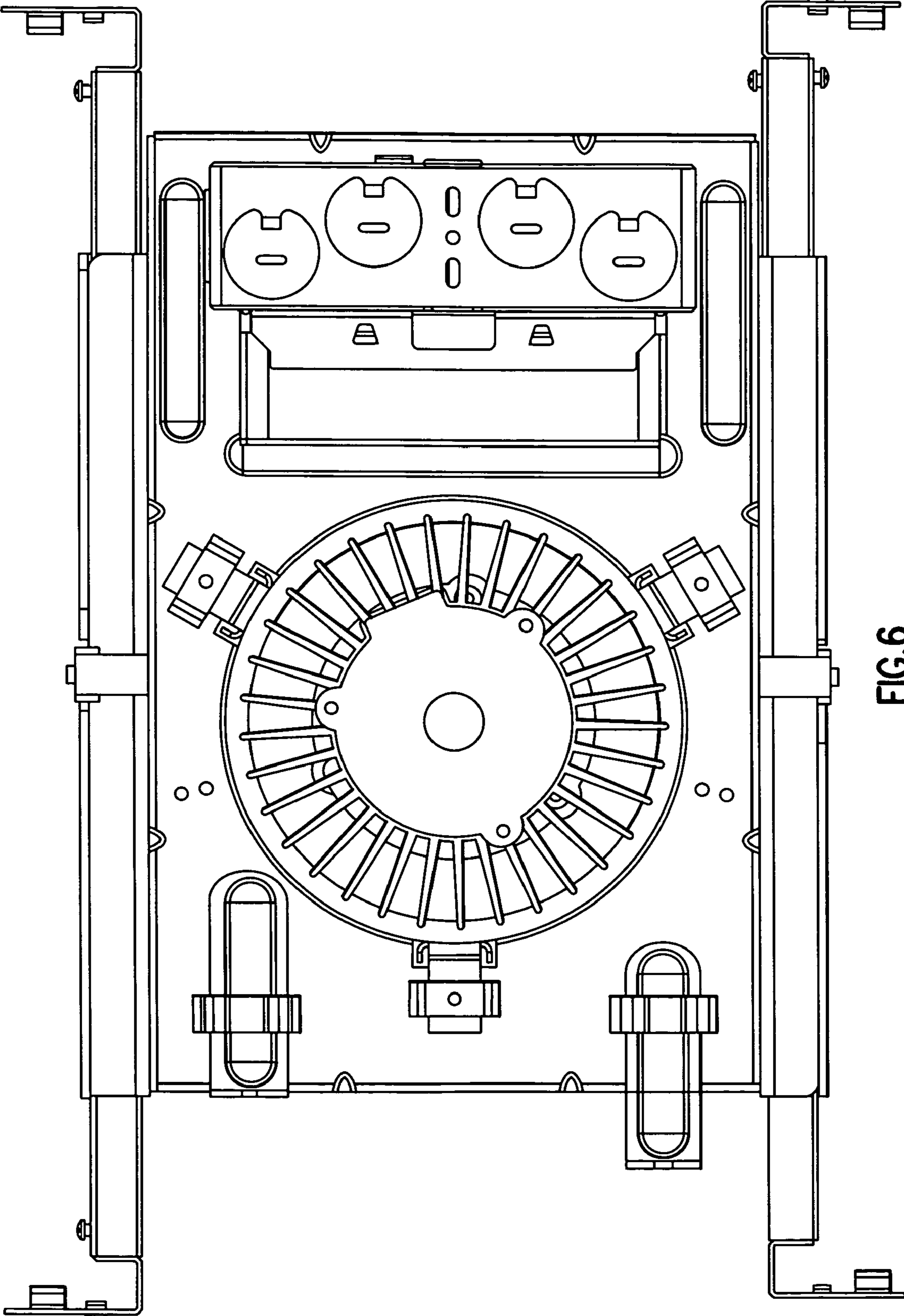


FIG.6

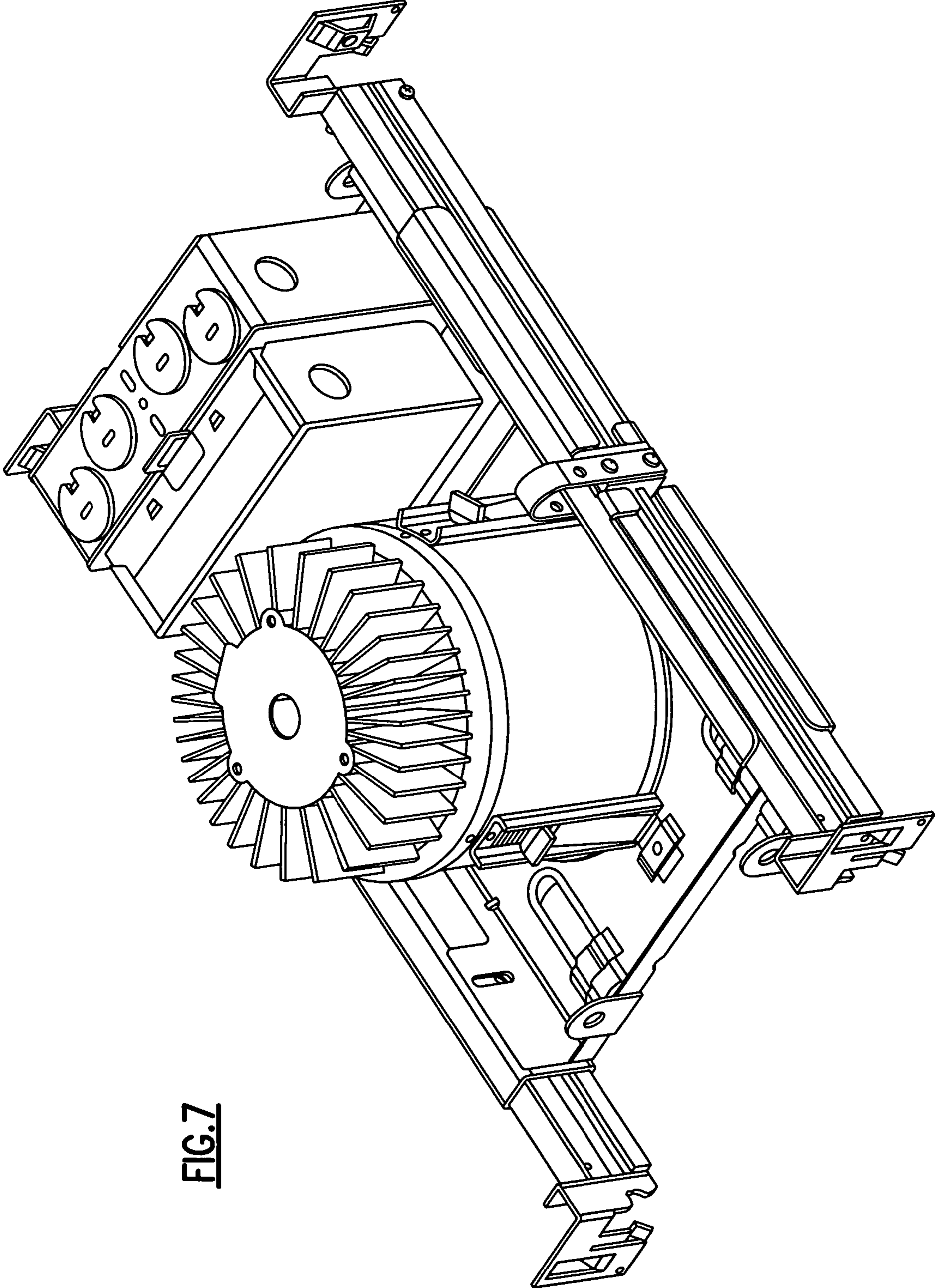


FIG. 7

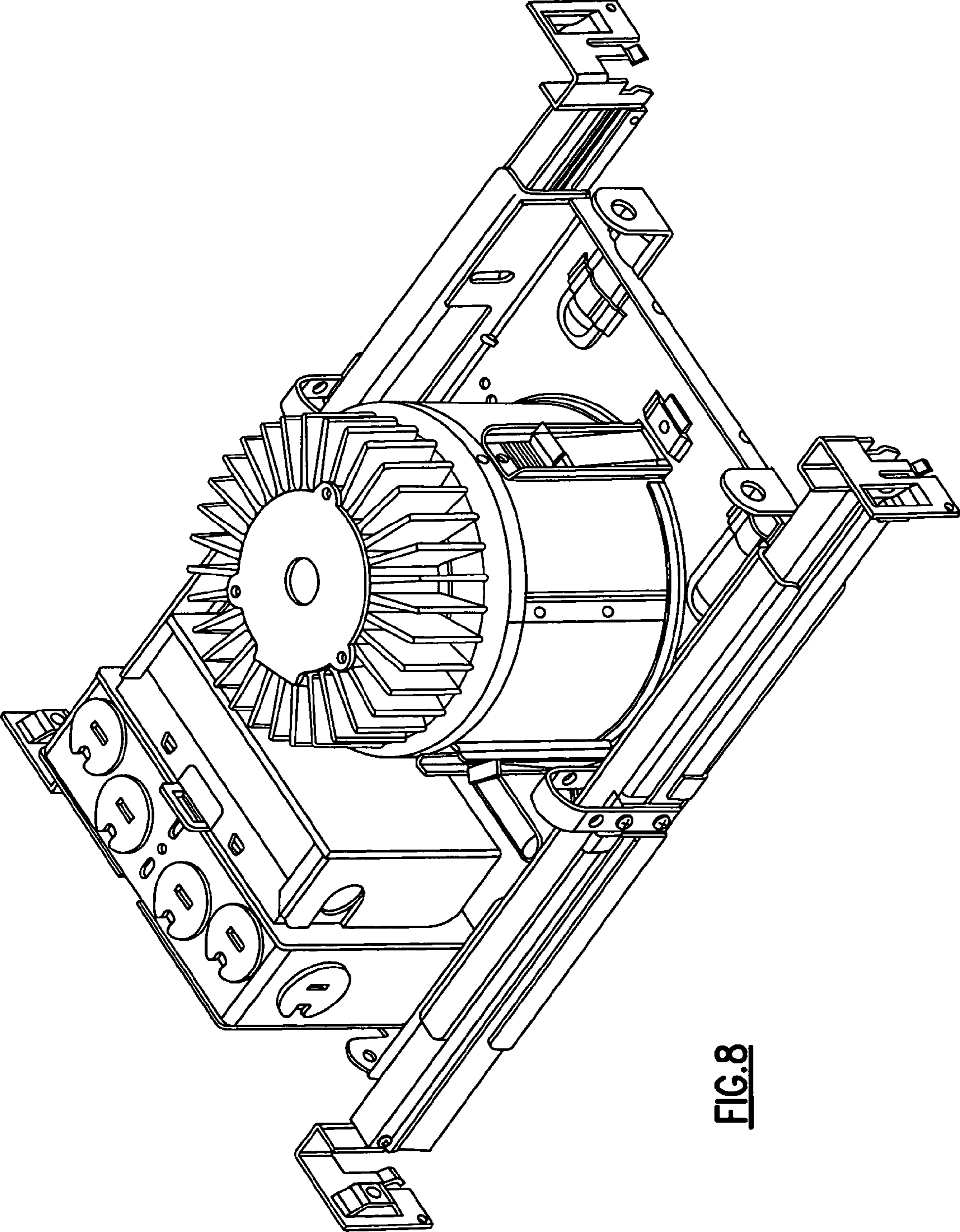


FIG. 8

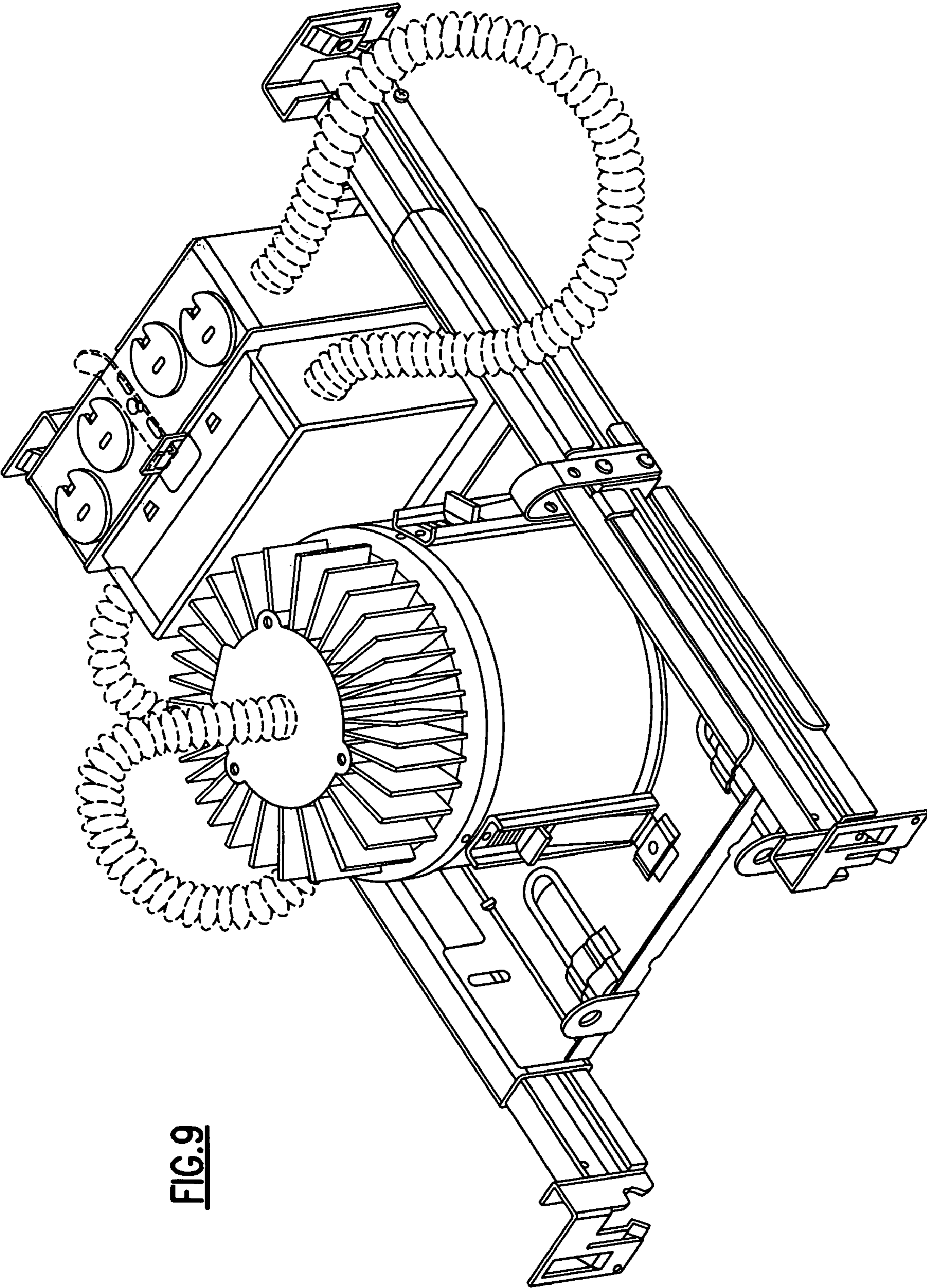


FIG. 9