



US00D571943S

(12) **United States Design Patent**  
**Tragatschnig**

(10) **Patent No.:** **US D571,943 S**  
(45) **Date of Patent:** **\*\* Jun. 24, 2008**

(54) **LIGHTING FIXTURE**

(75) Inventor: **Jörg Tragatschnig**, Zell am See (AT)

(73) Assignee: **Zumtobel Lighting GmbH & Co. KG**,  
Lemgo (DE)

(\*\*) Term: **14 Years**

(21) Appl. No.: **29/295,017**

(22) Filed: **Sep. 20, 2007**

(30) **Foreign Application Priority Data**

Mar. 21, 2007 (EM) ..... 000691951

(51) **LOC (8) Cl.** ..... **26-05**

(52) **U.S. Cl.** ..... **D26/61**

(58) **Field of Classification Search** ..... D26/14,  
D26/60-66, 93; 362/410, 413, 414, 419,  
362/427, 285, 287, 282, 277, 275, 274, 271,  
362/270, 269, 431

See application file for complete search history.

(56) **References Cited**

**U.S. PATENT DOCUMENTS**

D122,711 S \* 9/1940 May ..... D26/63  
D203,863 S \* 2/1966 Neumann ..... D26/107  
3,341,702 A \* 9/1967 Neumann ..... 362/269  
D324,274 S \* 2/1992 Schwamkrug et al. .... D26/66  
D511,395 S \* 11/2005 August ..... D26/106

D525,742 S \* 7/2006 Derhaag ..... D26/109

\* cited by examiner

*Primary Examiner*—Cathron Brooks

*Assistant Examiner*—Barbara Fox

(74) *Attorney, Agent, or Firm*—Marshall, Gerstein & Borun  
LLP

(57) **CLAIM**

The ornamental design for a lighting fixture, as shown and  
described.

**DESCRIPTION**

FIG. 1 is a left side view of a lighting fixture that has the  
design. The right-side view is a mirror image of this view.

FIG. 2 is a front view of the lighting fixture.

FIG. 3 is a back view of the lighting fixture.

FIG. 4 is a top view of the lighting fixture.

FIG. 5 is a bottom view of the lighting fixture.

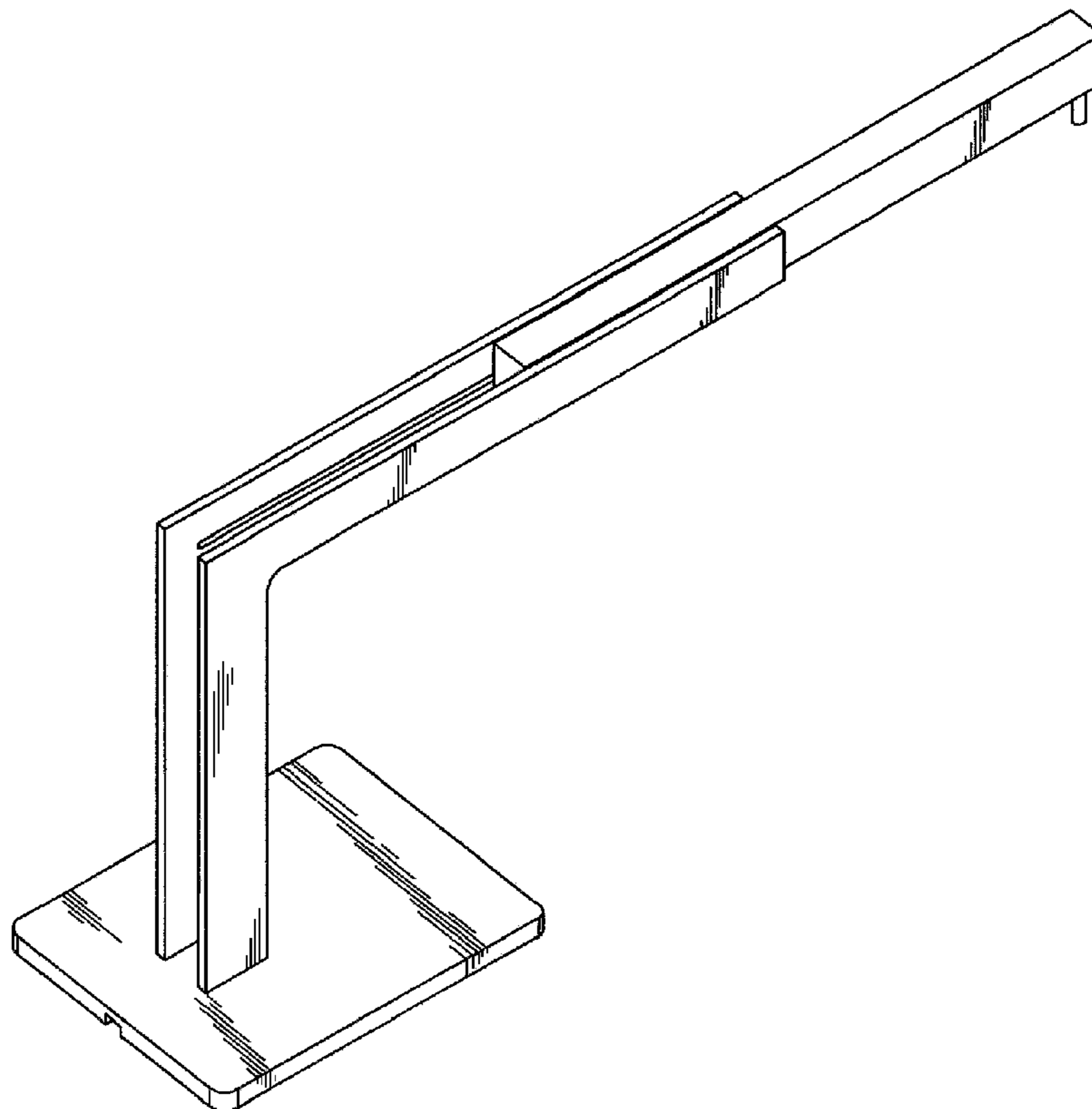
FIG. 6 is a top back perspective view of the lighting fixture.

FIG. 7 is a top back perspective view of the lighting fixture in  
an extended position.

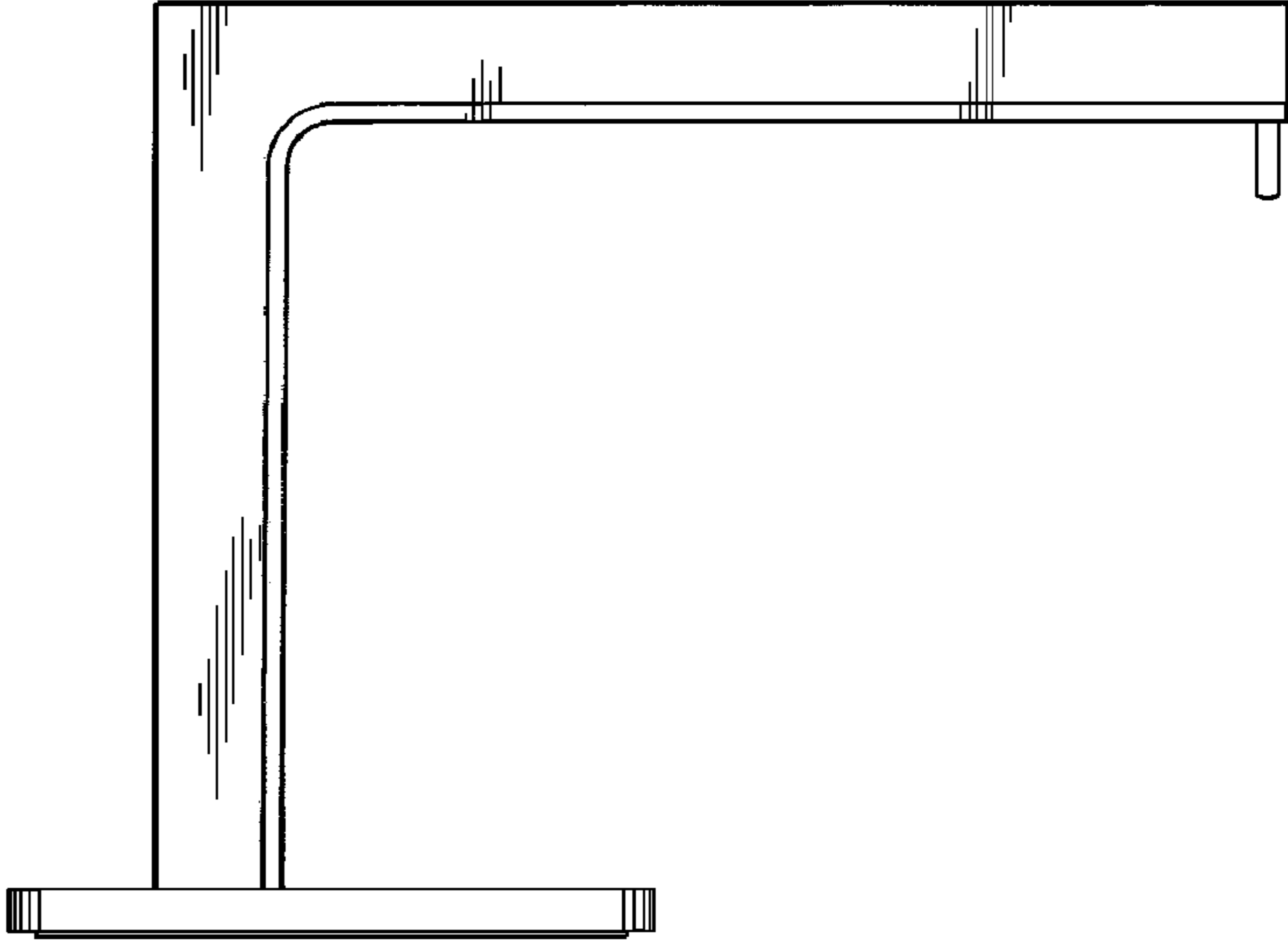
FIG. 8 is a top front perspective view of the lighting fixture in  
the extended position; and,

FIG. 9 is a bottom front perspective view of the lighting  
fixture in the extended position.

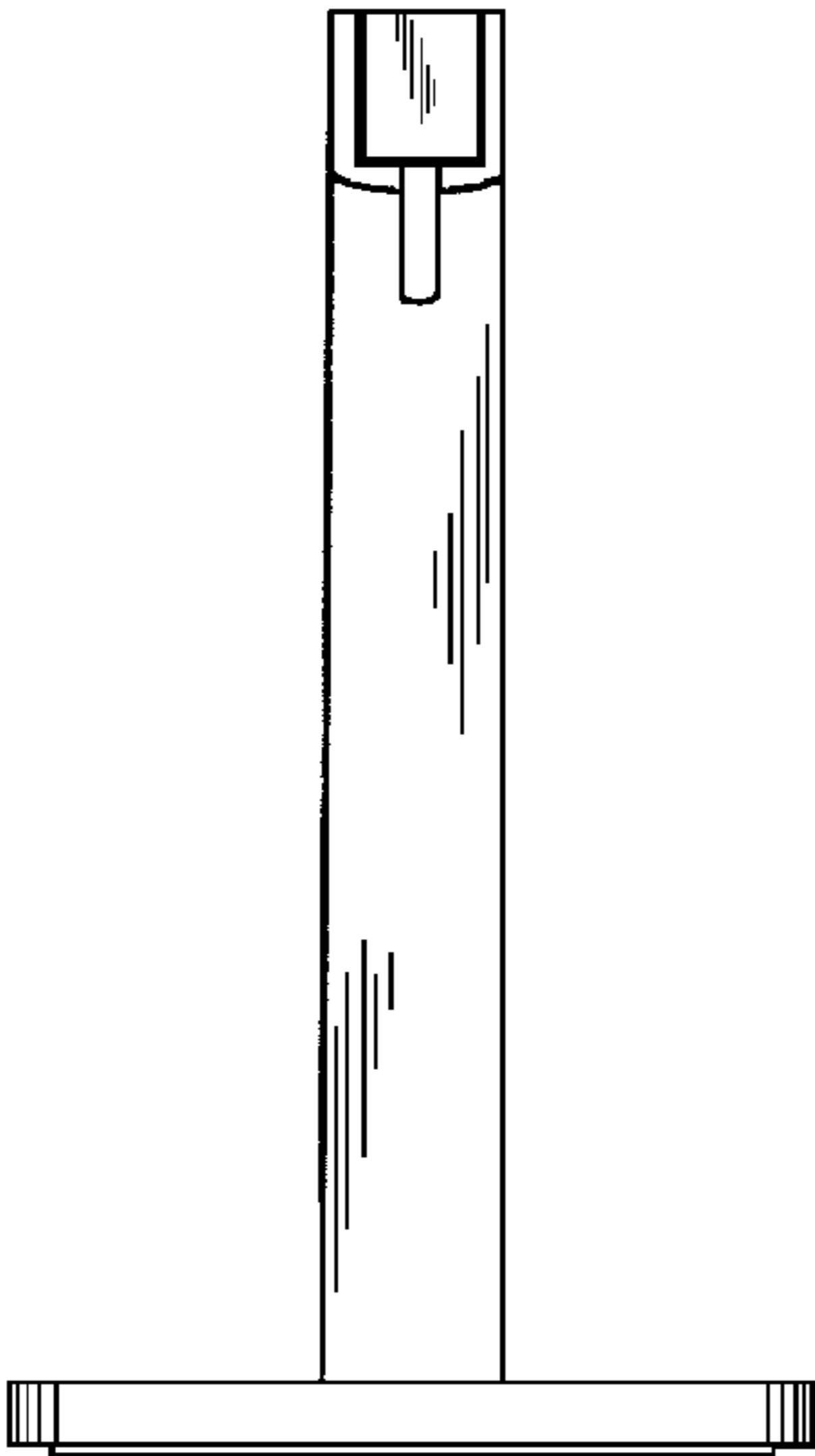
**1 Claim, 4 Drawing Sheets**



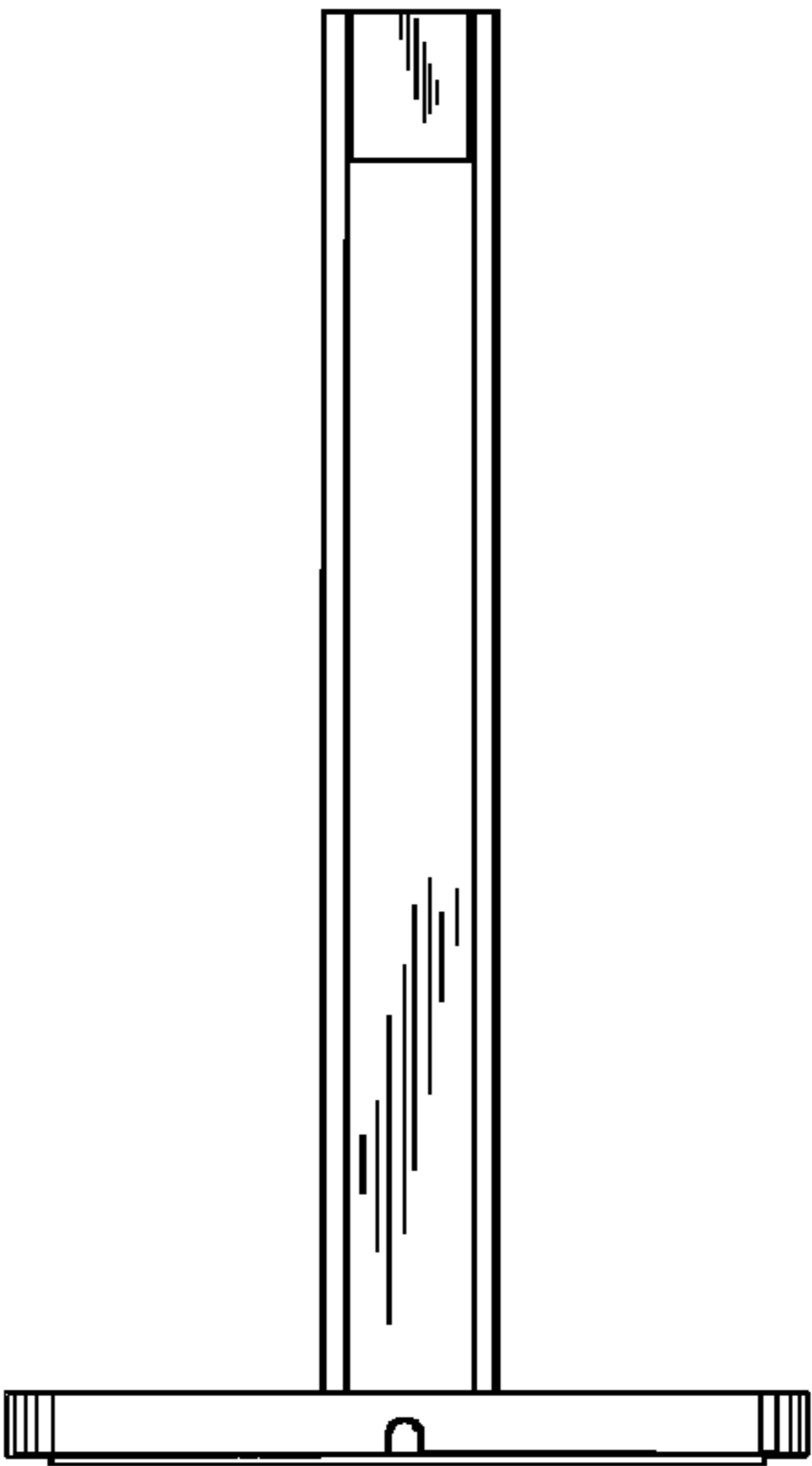
**FIG. 1**



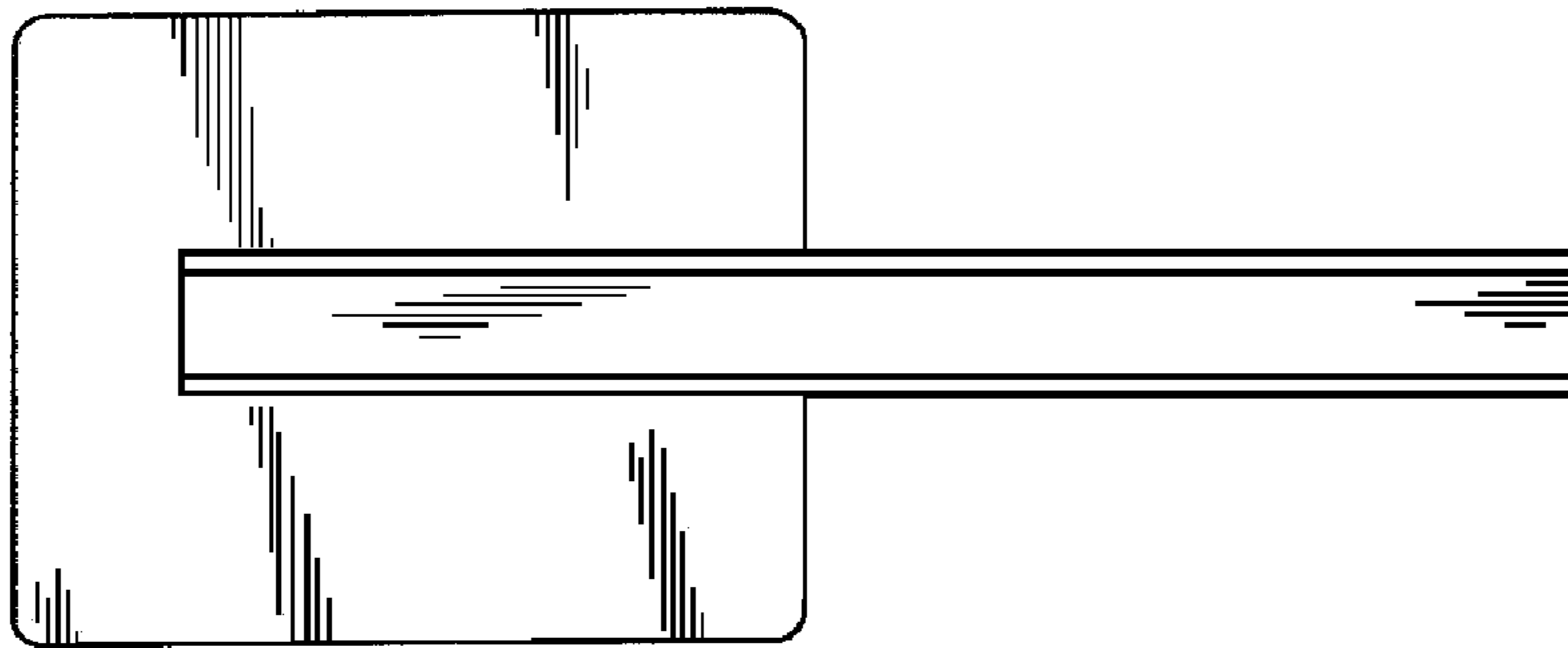
**FIG. 2**



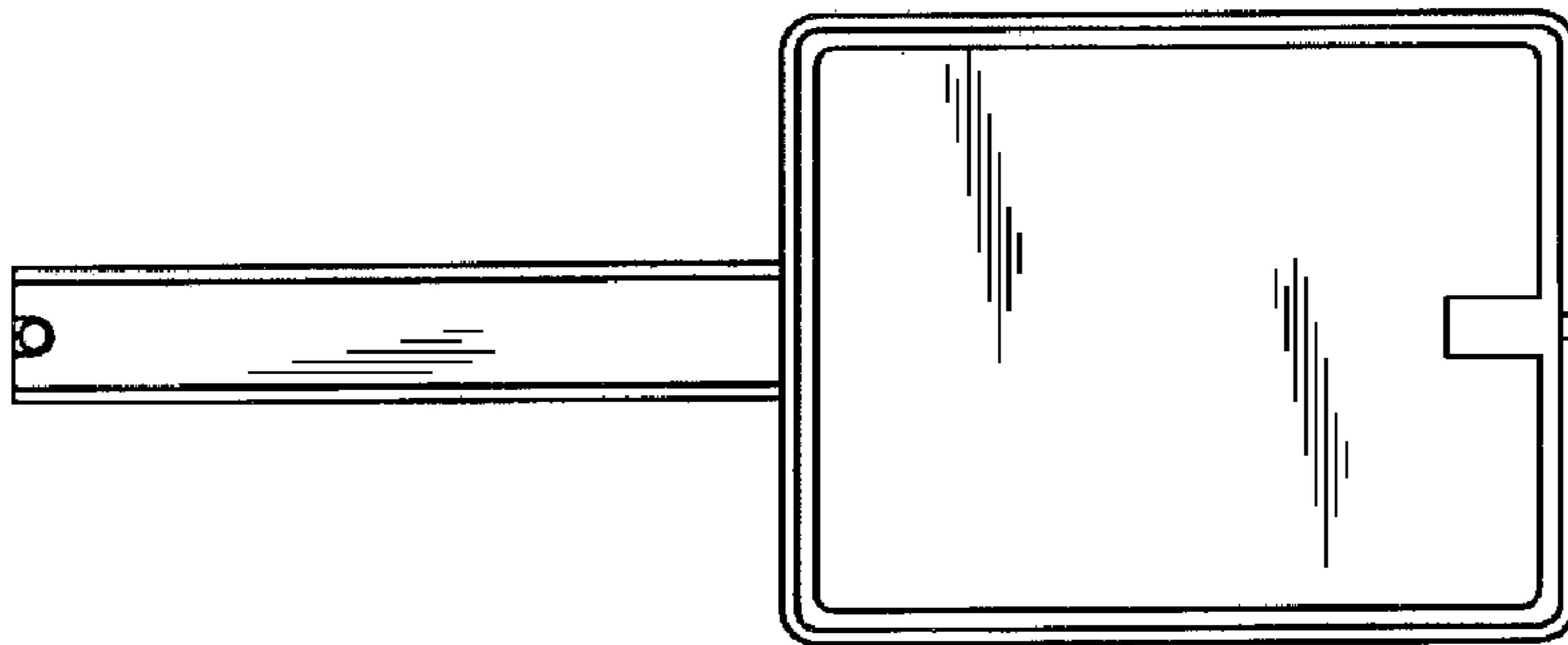
**FIG. 3**



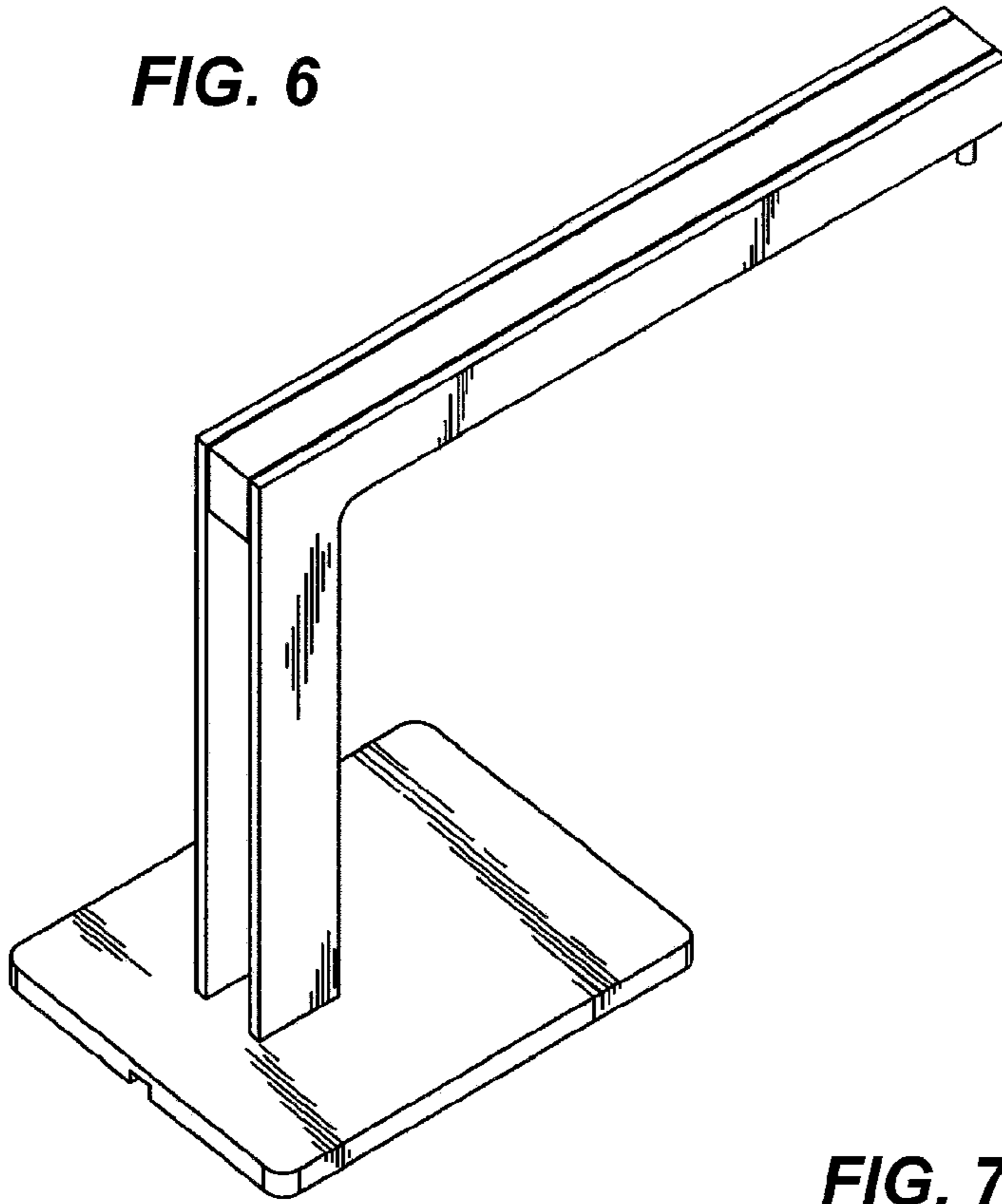
**FIG. 4**



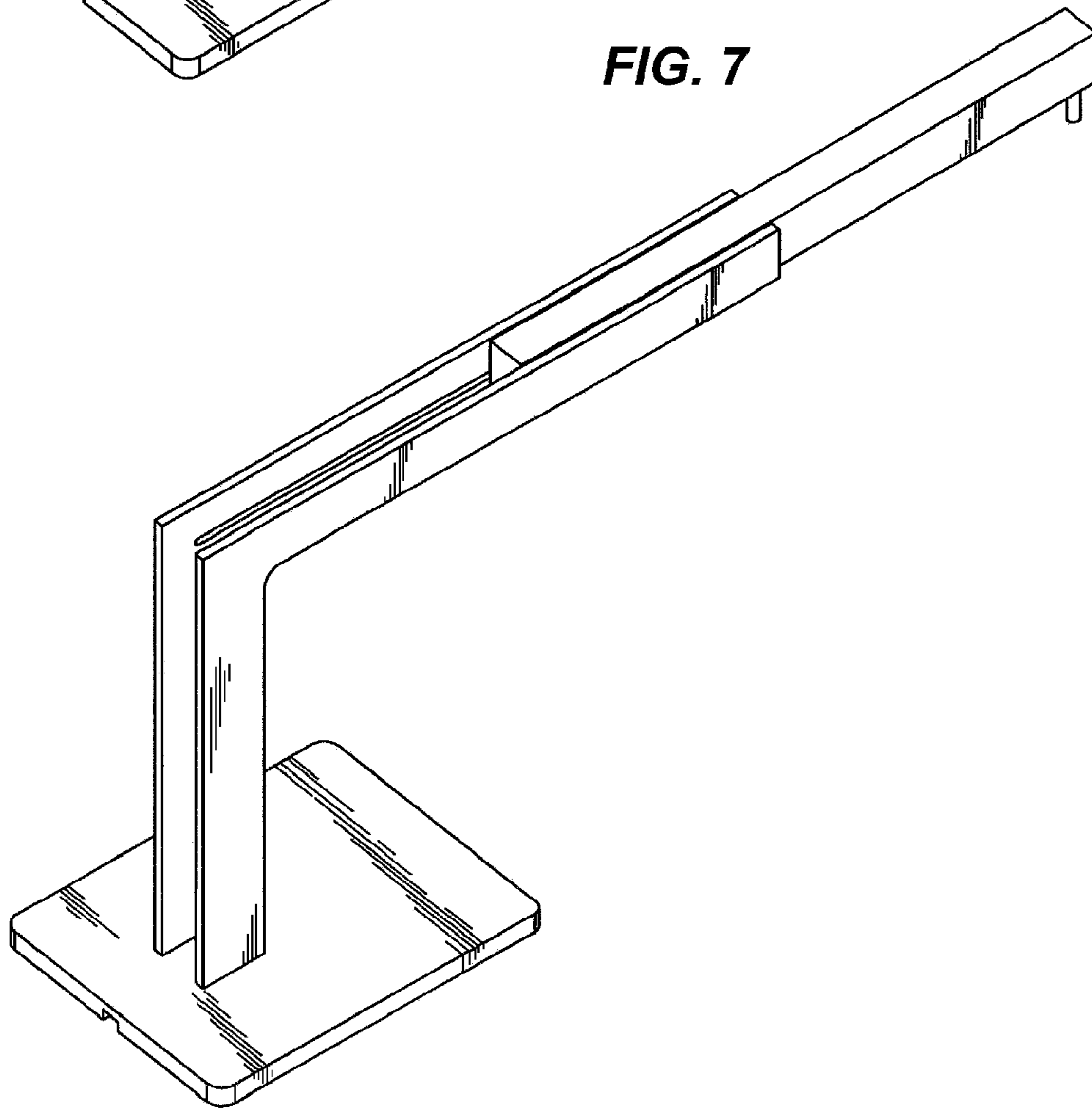
**FIG. 5**

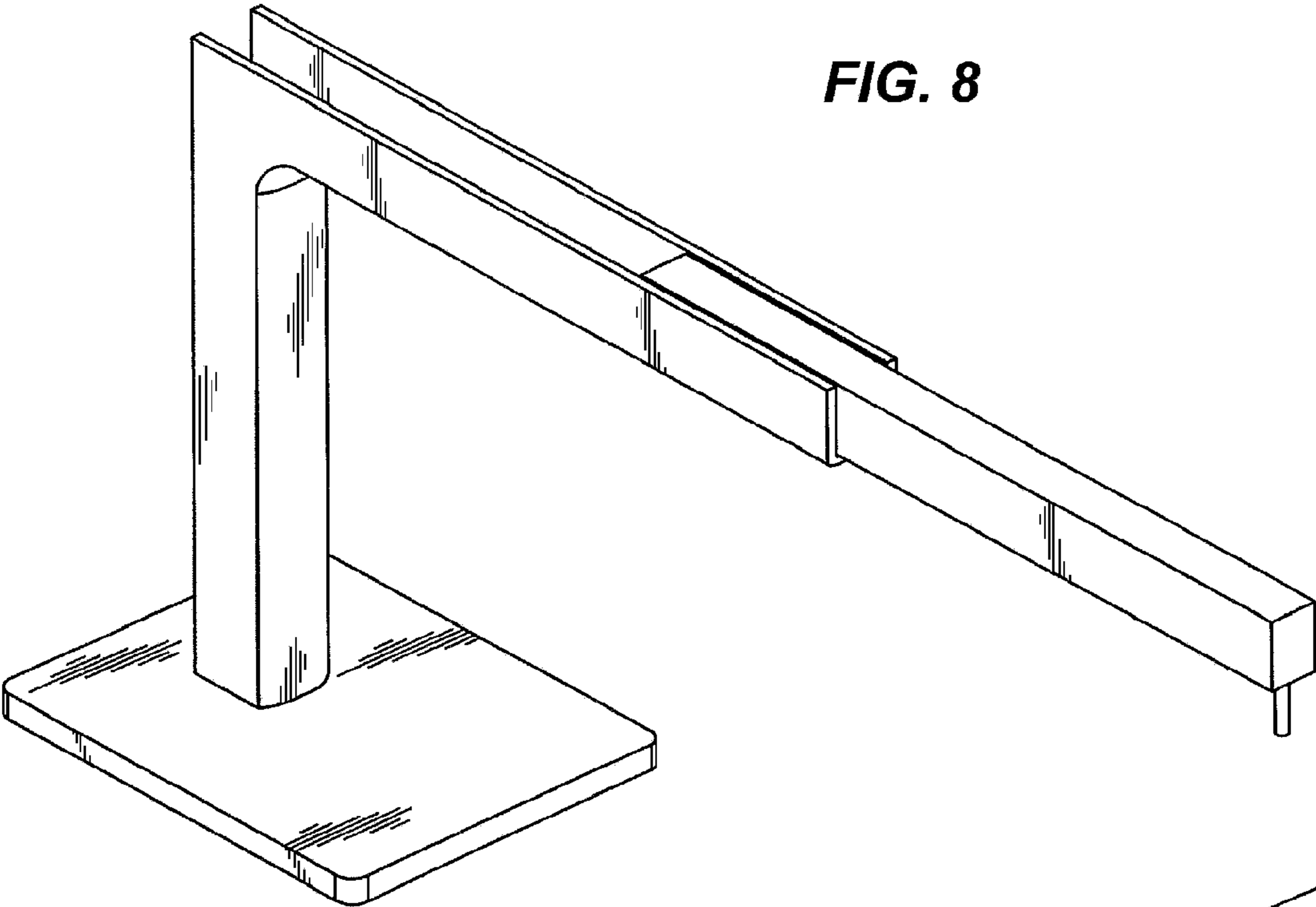


**FIG. 6**

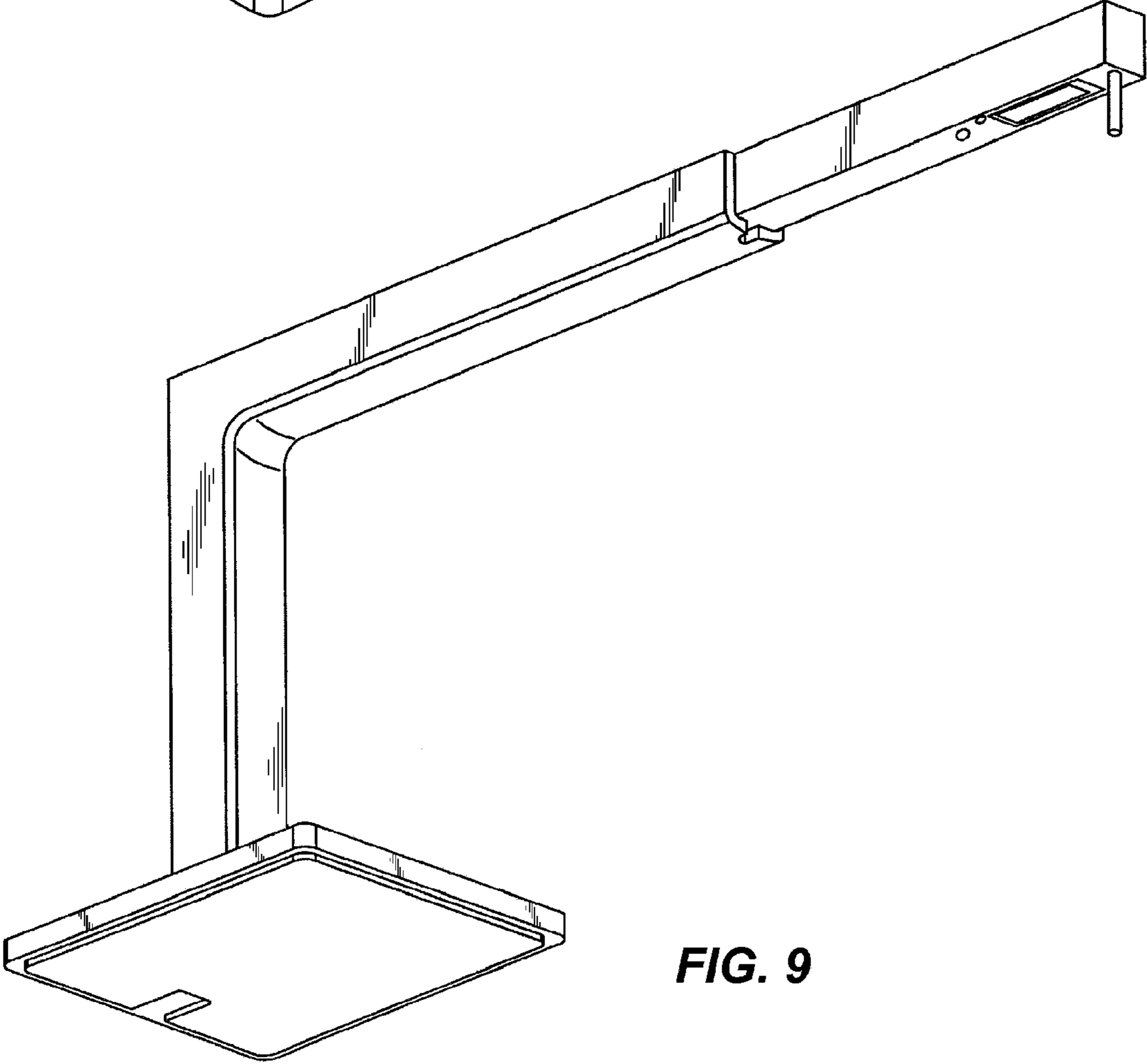


**FIG. 7**





**FIG. 8**



**FIG. 9**