



US00D571939S

(12) **United States Design Patent**
Brady

(10) **Patent No.:** **US D571,939 S**
(45) **Date of Patent:** **** *Jun. 24, 2008**

(54) **STARBURST NIGHT LIGHT**
(75) **Inventor:** **Floyd William Brady**, Soquel, CA (US)
(73) **Assignee:** **Salamander Graphix, Inc.**, Watsonville, CA (US)

4,034,215 A * 7/1977 Hashimoto 362/565
D274,268 S * 6/1984 Schwartz D26/26
D285,008 S * 8/1986 Schwartz D26/26
D360,274 S * 7/1995 Emmerling D26/118
D399,014 S * 9/1998 Emmerling D26/26
D463,588 S * 9/2002 Chao D26/27
2002/0196630 A1 * 12/2002 Chang 362/351

(*) **Notice:** This patent is subject to a terminal disclaimer.

* cited by examiner

(**) **Term:** **14 Years**

Primary Examiner—Alan P. Douglas

Assistant Examiner—Angela J. Lee

(21) **Appl. No.:** **29/241,618**

(74) *Attorney, Agent, or Firm*—Townsend and Townsend and Crew LLP

(22) **Filed:** **Oct. 27, 2005**

(57) **CLAIM**

(51) **LOC (8) Cl.** **26-05**

The ornamental design for starburst night light, as shown and described.

(52) **U.S. Cl.** **D26/26**

(58) **Field of Classification Search** D26/24,
D26/26, 27, 40, 110; 362/211, 214, 84, 551,
362/554, 555, 556, 559, 565, 566, 582, 583,
362/641, 644

DESCRIPTION

See application file for complete search history.

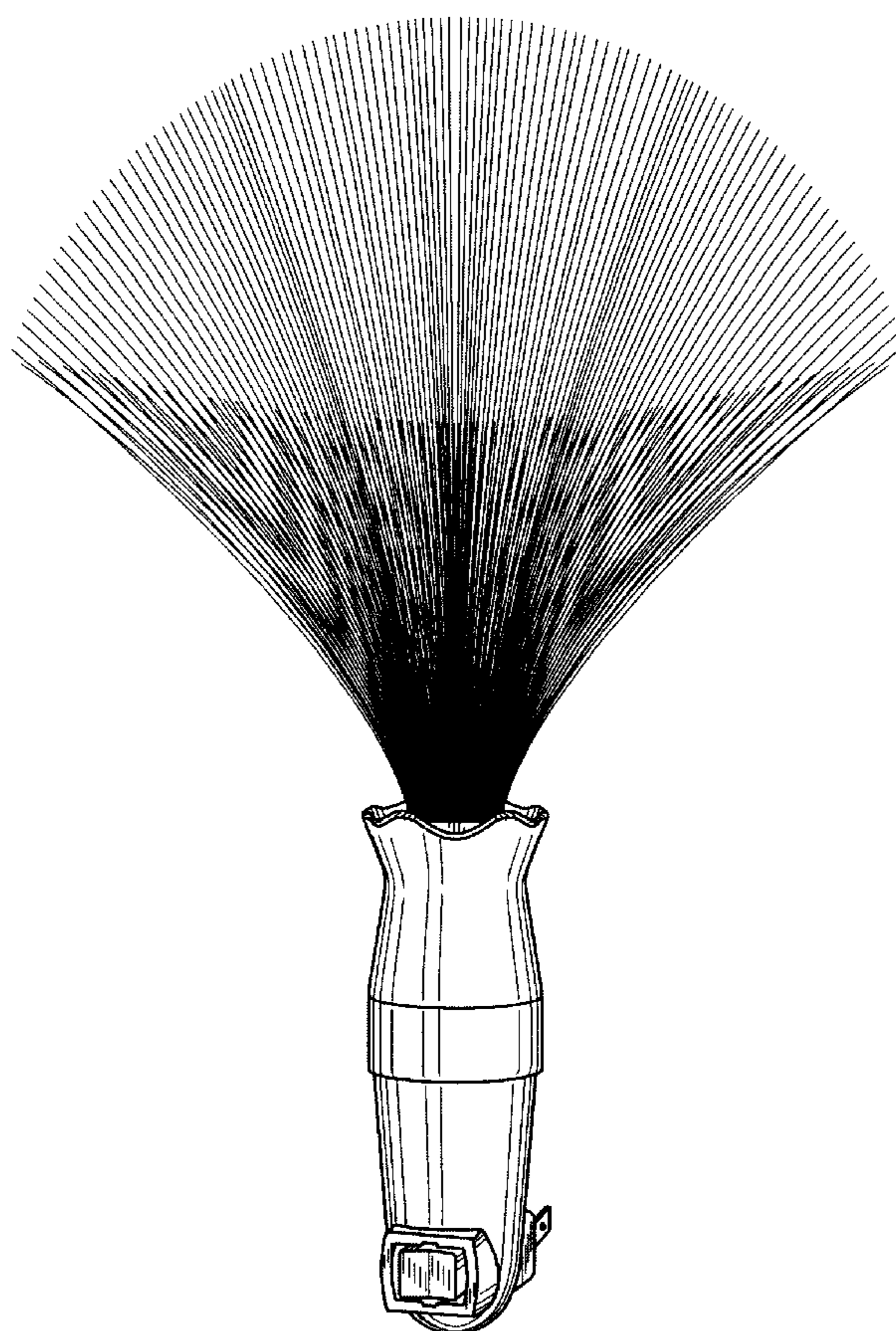
FIG. 1 is a perspective view of a starburst night light showing my new design;
FIG. 2 is a right side elevational view thereof;
FIG. 3 is a left side elevational view thereof;
FIG. 4 is a front elevational view thereof;
FIG. 5 is a rear elevational view thereof;
FIG. 6 is a bottom plan view thereof; and,
FIG. 7 is a top plan view thereof.

(56) **References Cited**

U.S. PATENT DOCUMENTS

D221,868 S * 9/1971 Knowlton D11/121
3,758,285 A * 9/1973 Fairchild et al. 65/64

1 Claim, 4 Drawing Sheets



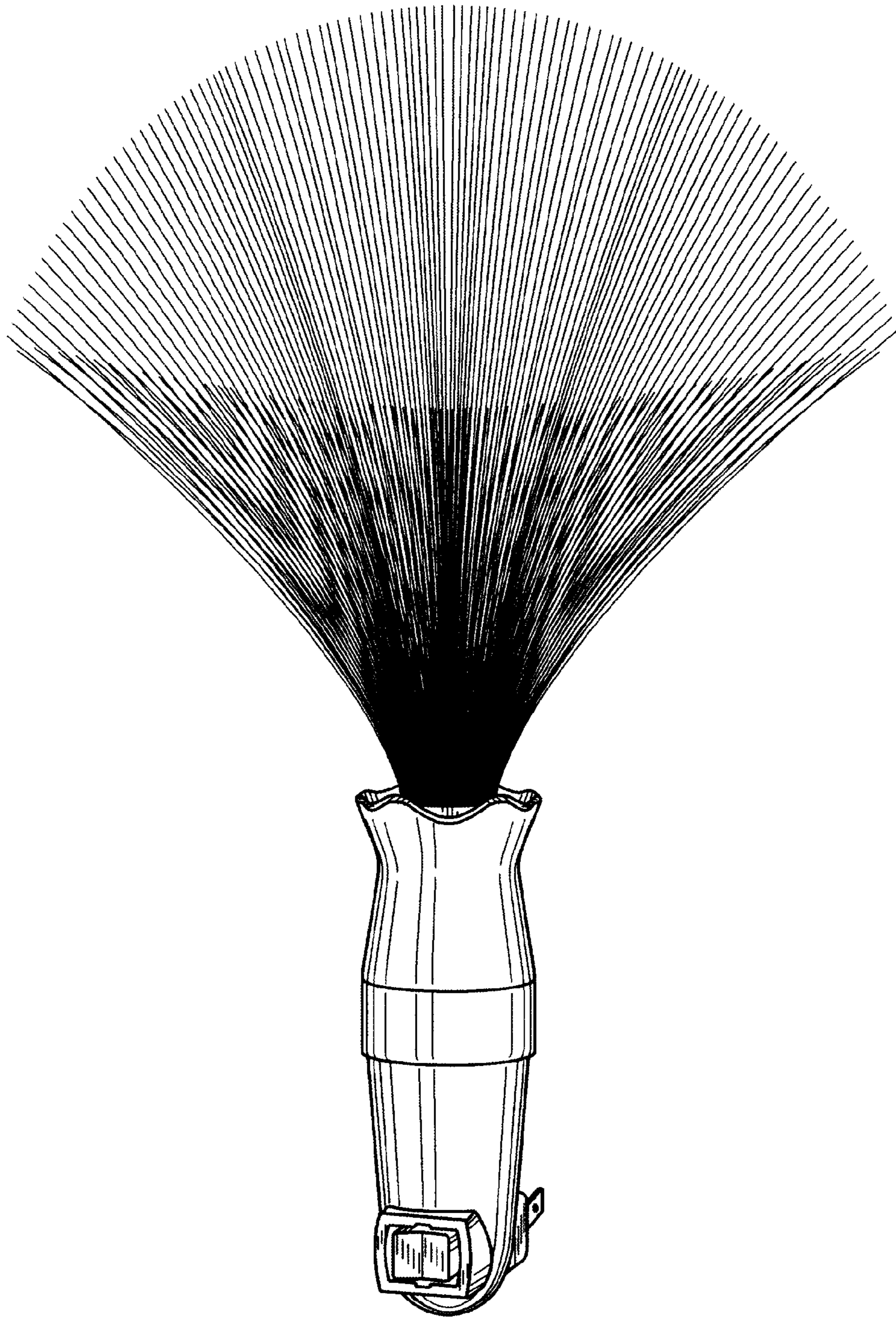


FIG. 1

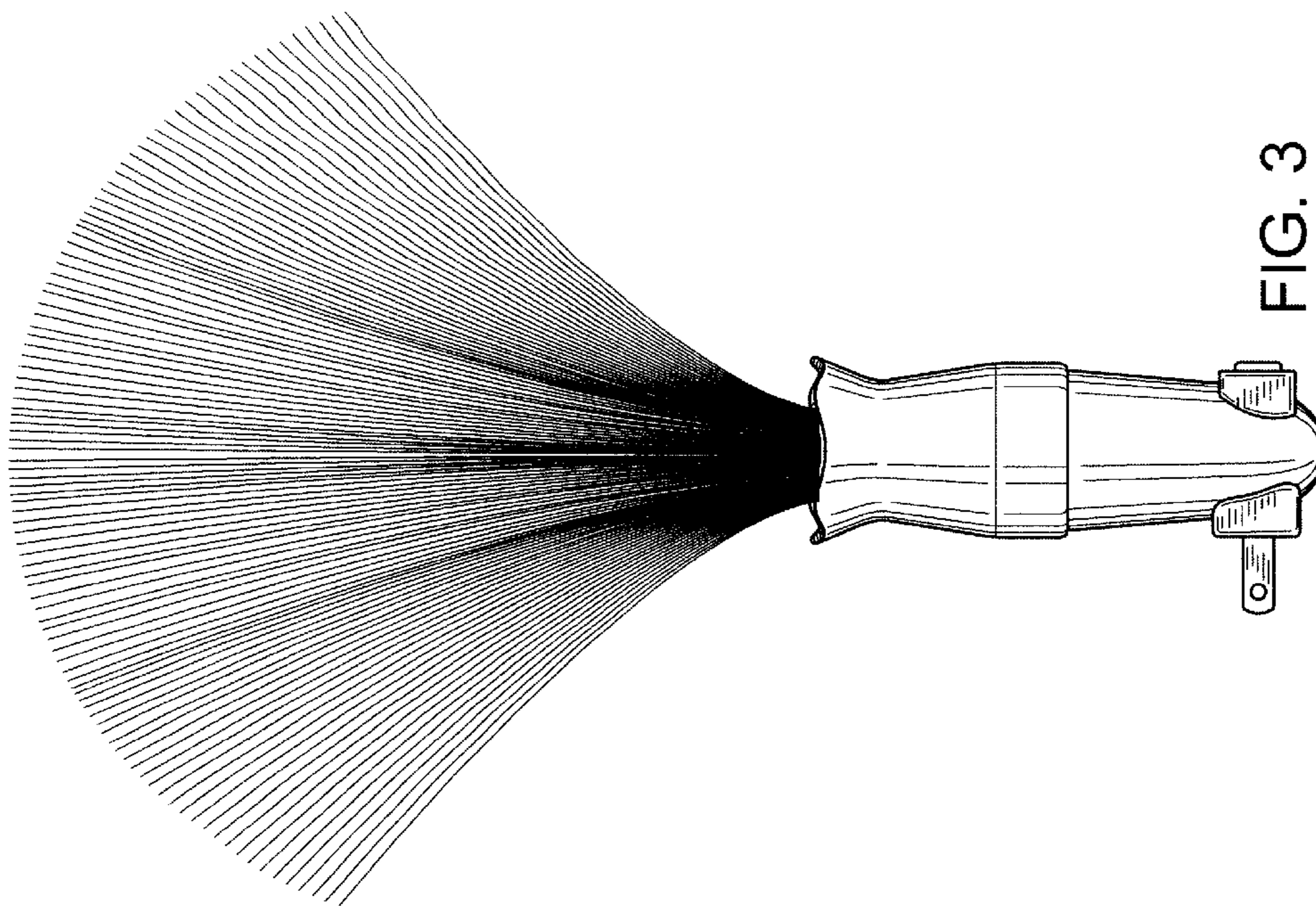


FIG. 3

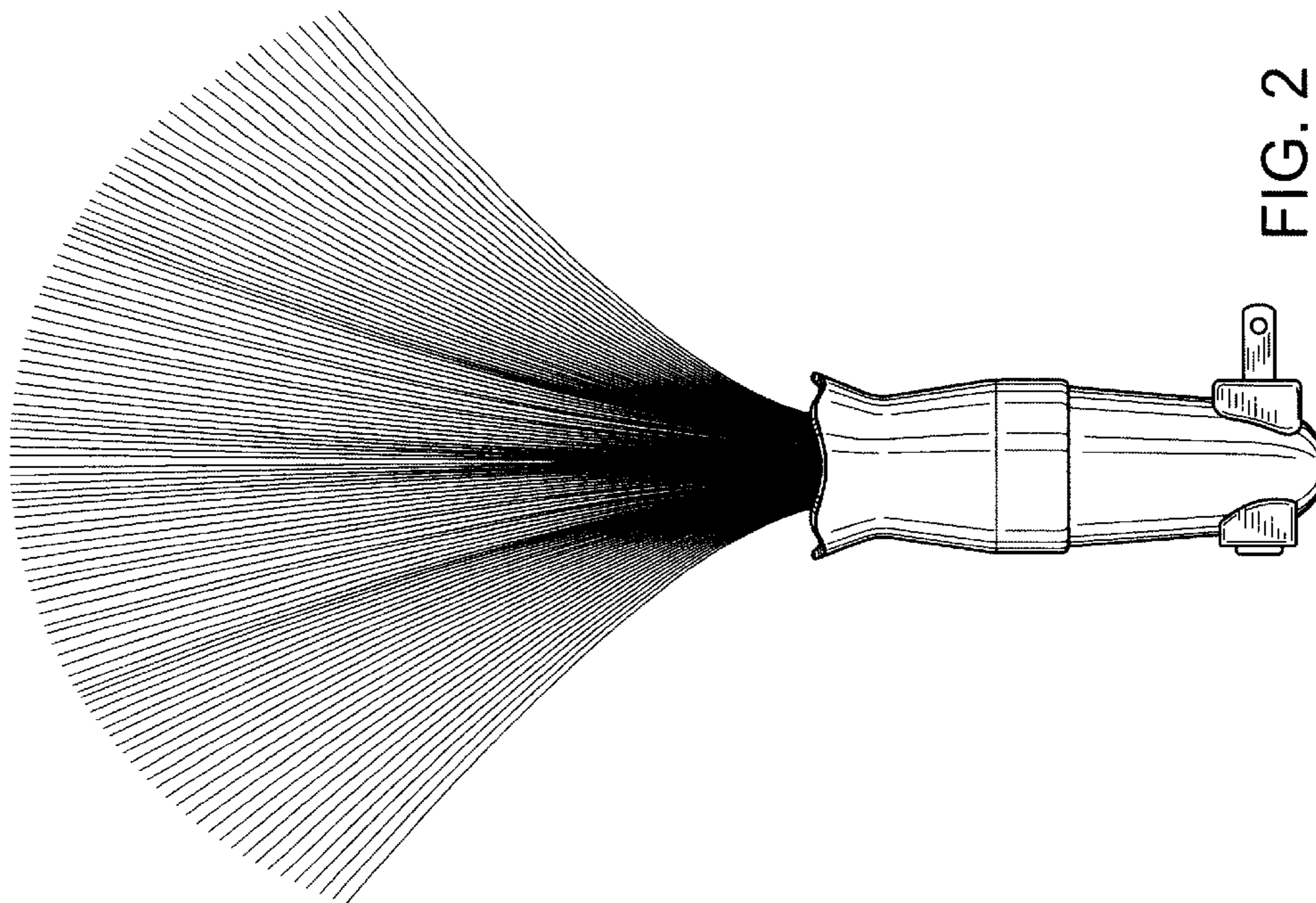


FIG. 2

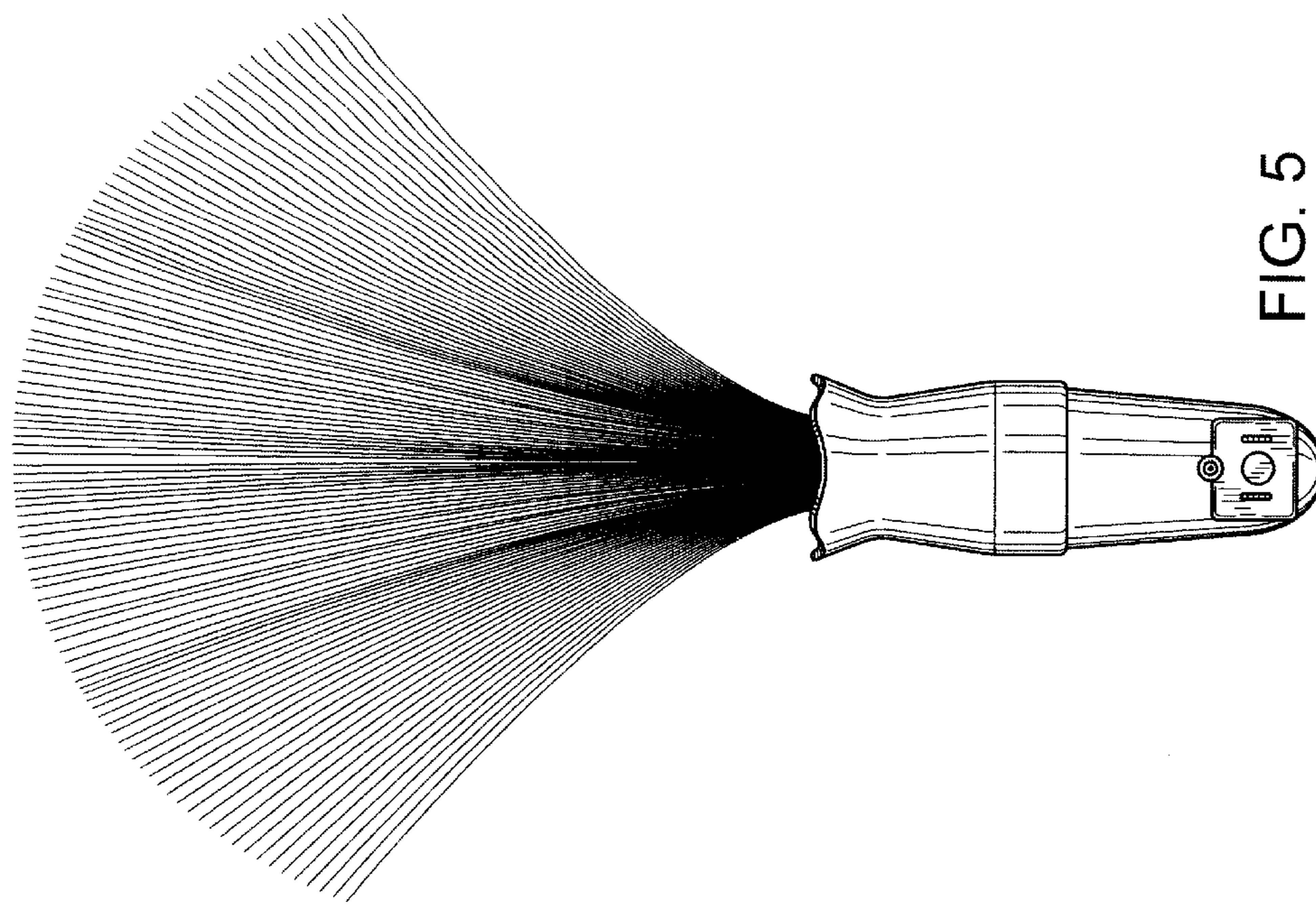


FIG. 5

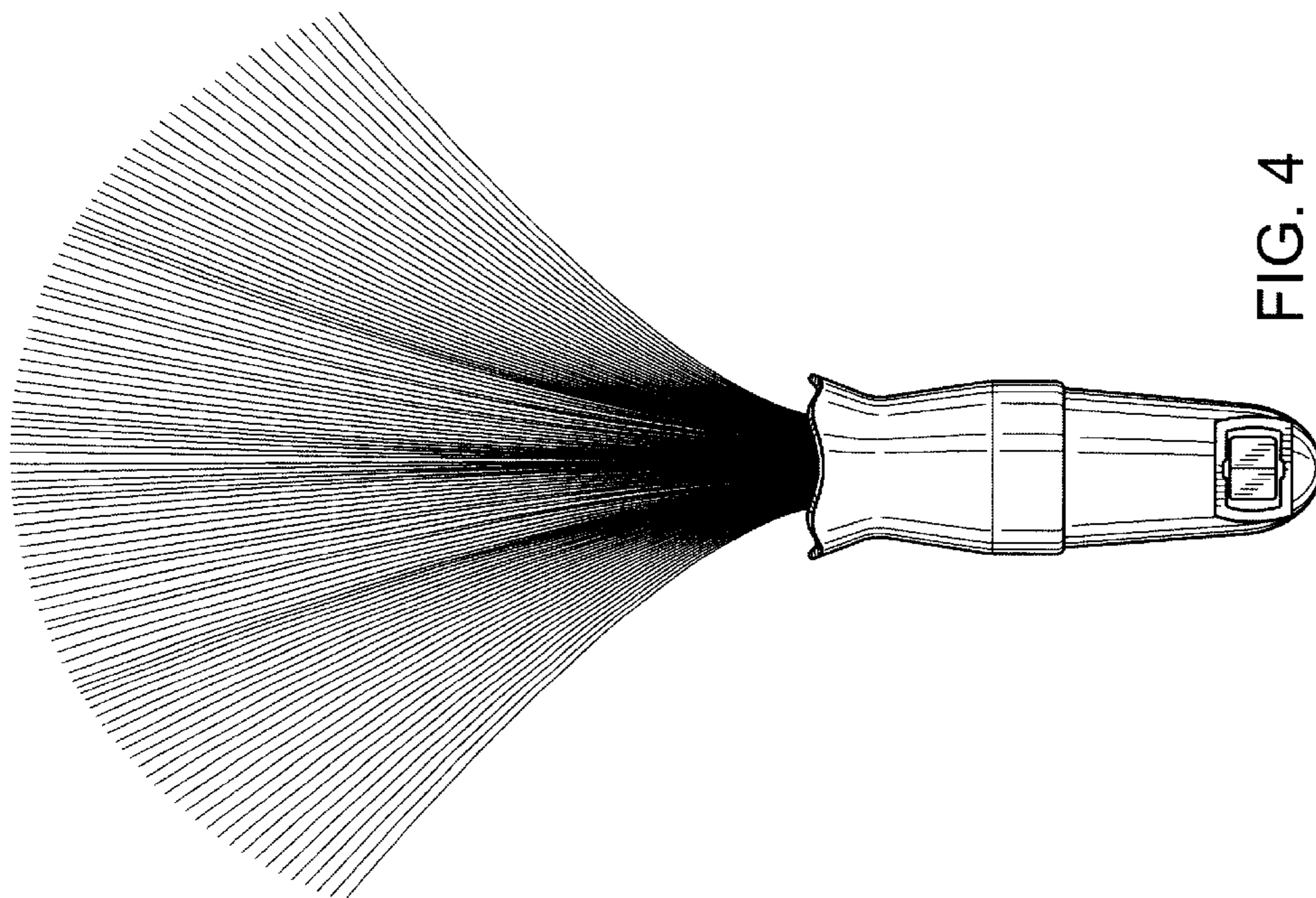


FIG. 4

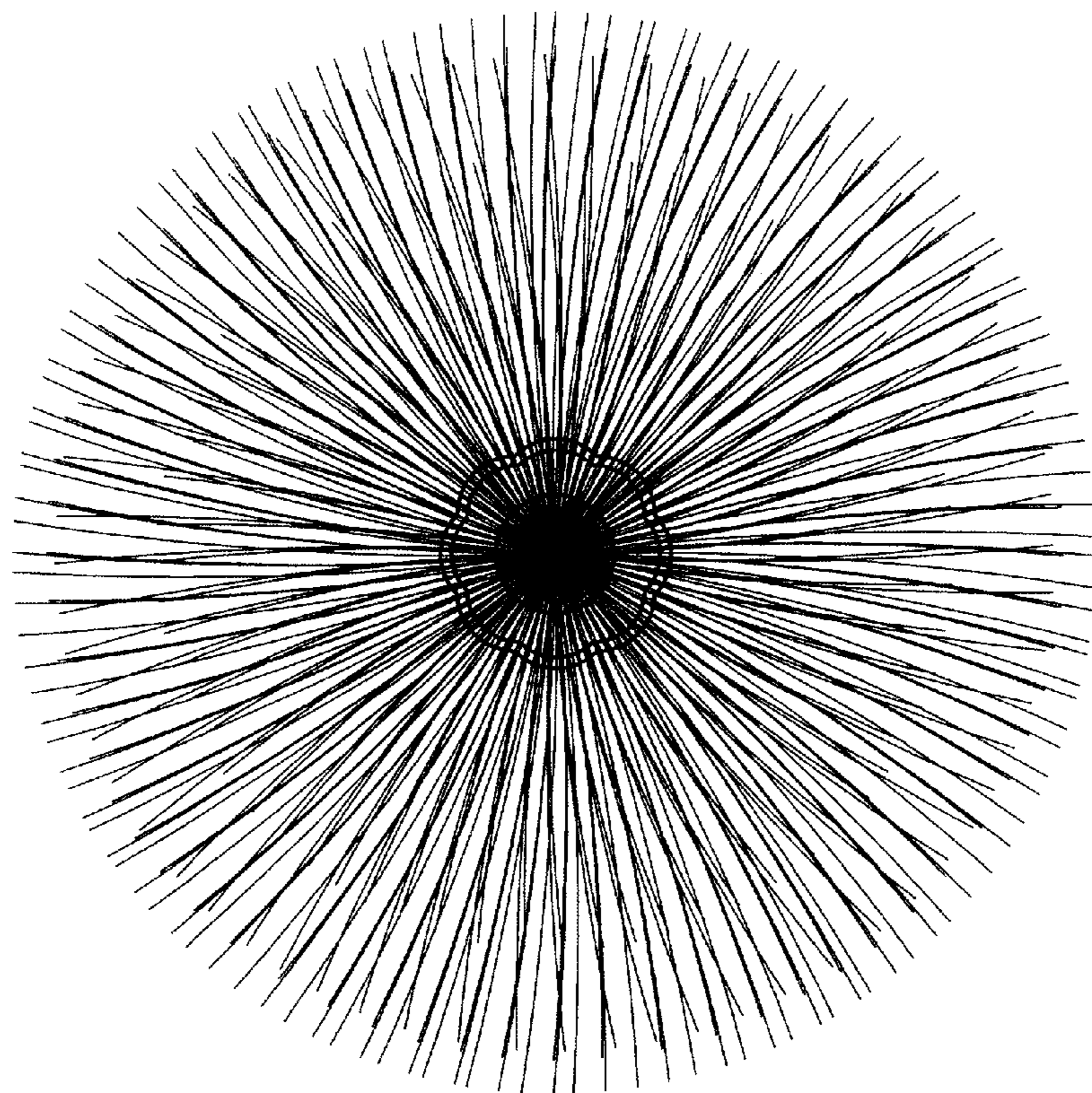


FIG. 7

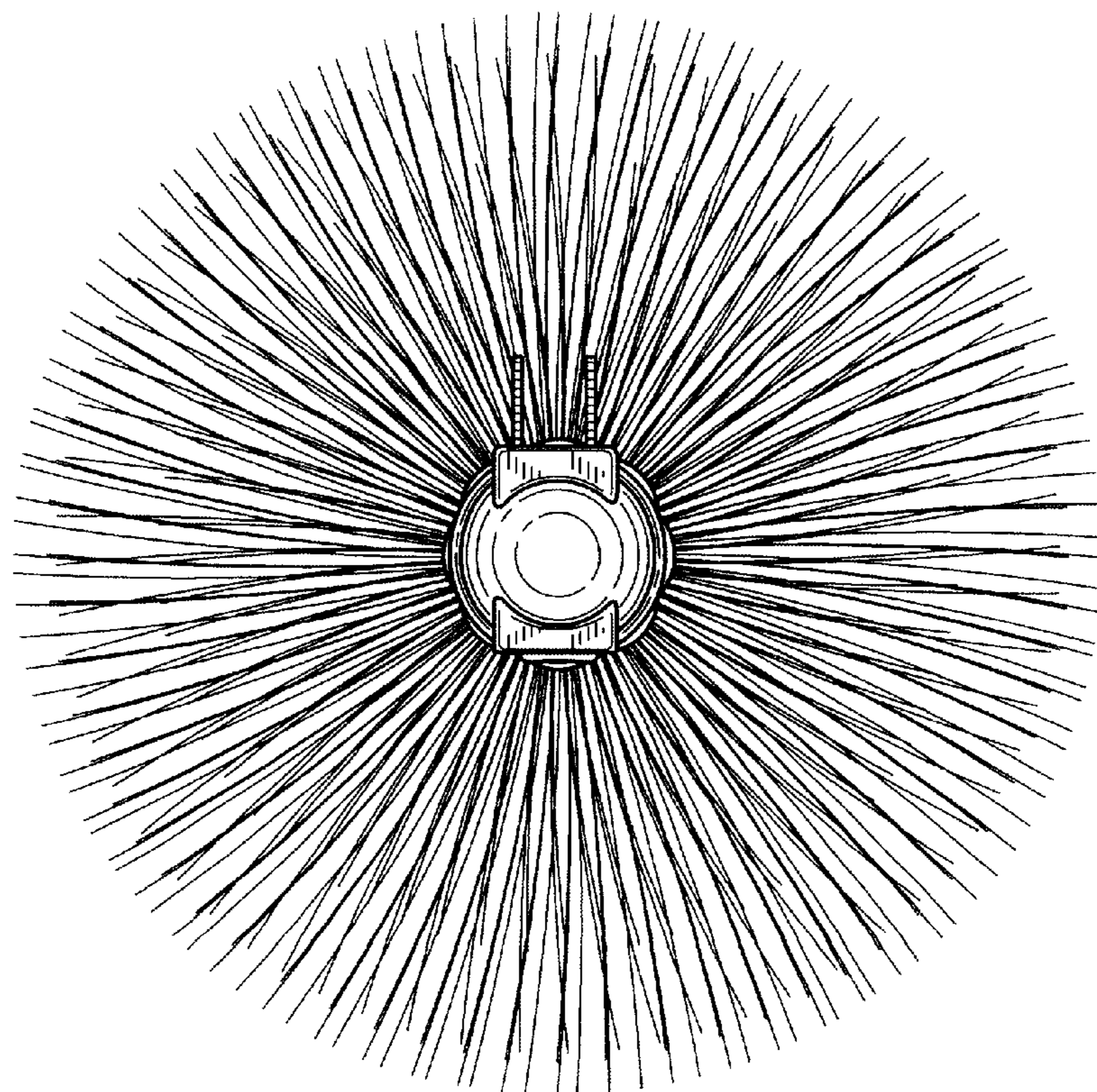


FIG. 6