

US00D571928S

(12) **United States Design Patent**
Rannikko et al.

(10) **Patent No.:** **US D571,928 S**
(45) **Date of Patent:** **** Jun. 24, 2008**

(54) **CONTROL SOLUTION CONTAINER**

(75) Inventors: **Minna A. Rannikko**, Millbury, MA
(US); **Thomas M. Pizza**, Dracut, MA
(US); **Edelizete S. Pauplis**, Winchendon,
MA (US); **Randy H. Byrd**, Pepperell,
MA (US)

(73) Assignee: **Bionostics, Inc.**, Devens, MA (US)

(**) Term: **14 Years**

(21) Appl. No.: **29/281,605**

(22) Filed: **Jun. 27, 2007**

Related U.S. Application Data

(63) Continuation of application No. 11/121,592, filed on
May 4, 2005.

(51) **LOC (8) Cl.** **24-02**

(52) **U.S. Cl.** **D24/225**

(58) **Field of Classification Search** D24/118,
D24/216, 223–226; D10/81; D9/523, 527,
D9/702–710, 713–714; 422/56–58, 101–102,
422/104; 426/2, 79–82, 90, 106, 116, 143;
436/8; 600/583–584

See application file for complete search history.

(56) **References Cited**

U.S. PATENT DOCUMENTS

D445,906 S * 7/2001 Clawson D24/224
D467,665 S * 12/2002 Niedbala et al. D24/225
D495,805 S * 9/2004 Lea et al. D24/223

D512,512 S * 12/2005 Bell et al. D24/225
D512,648 S * 12/2005 Smith et al. D9/702
D548,612 S * 8/2007 Berman D9/708
D551,567 S * 9/2007 Berman D9/708
D551,568 S * 9/2007 Berman D9/708
D553,008 S * 10/2007 Berman D9/708
D558,596 S * 1/2008 Berman D9/708
D558,601 S * 1/2008 Berman D9/709
D560,799 S * 1/2008 Inoue et al. D24/118
D561,344 S * 2/2008 Kozak et al. D24/216

* cited by examiner

Primary Examiner—Robert A Delehanty

Assistant Examiner—Mark Cavanna

(74) *Attorney, Agent, or Firm*—McDermott Will & Emery
LLP

(57) **CLAIM**

The ornamental design for a control solution container, as
shown and described.

DESCRIPTION

FIG. 1 is a perspective view of a control solution container,
showing our new design;

FIG. 2 is a perspective view of the control solution container
of FIG. 1 with pull tab removed to show condition of use;

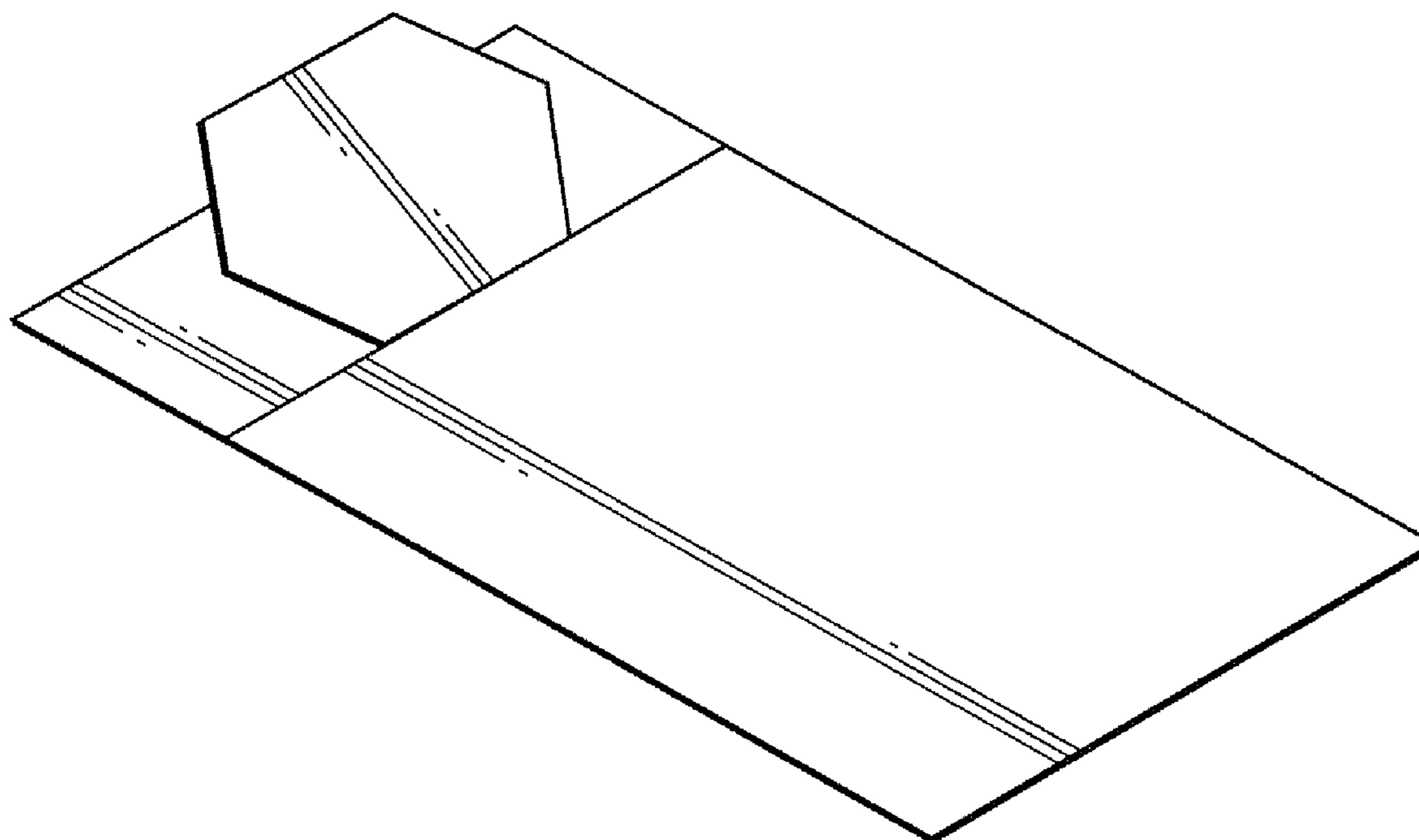
FIG. 3 is a top view of FIG. 1;

FIG. 4 is a bottom view of FIG. 1;

FIG. 5 is a top view of an alternate embodiment; and,

FIG. 6 is a bottom view of FIG. 6.

1 Claim, 4 Drawing Sheets



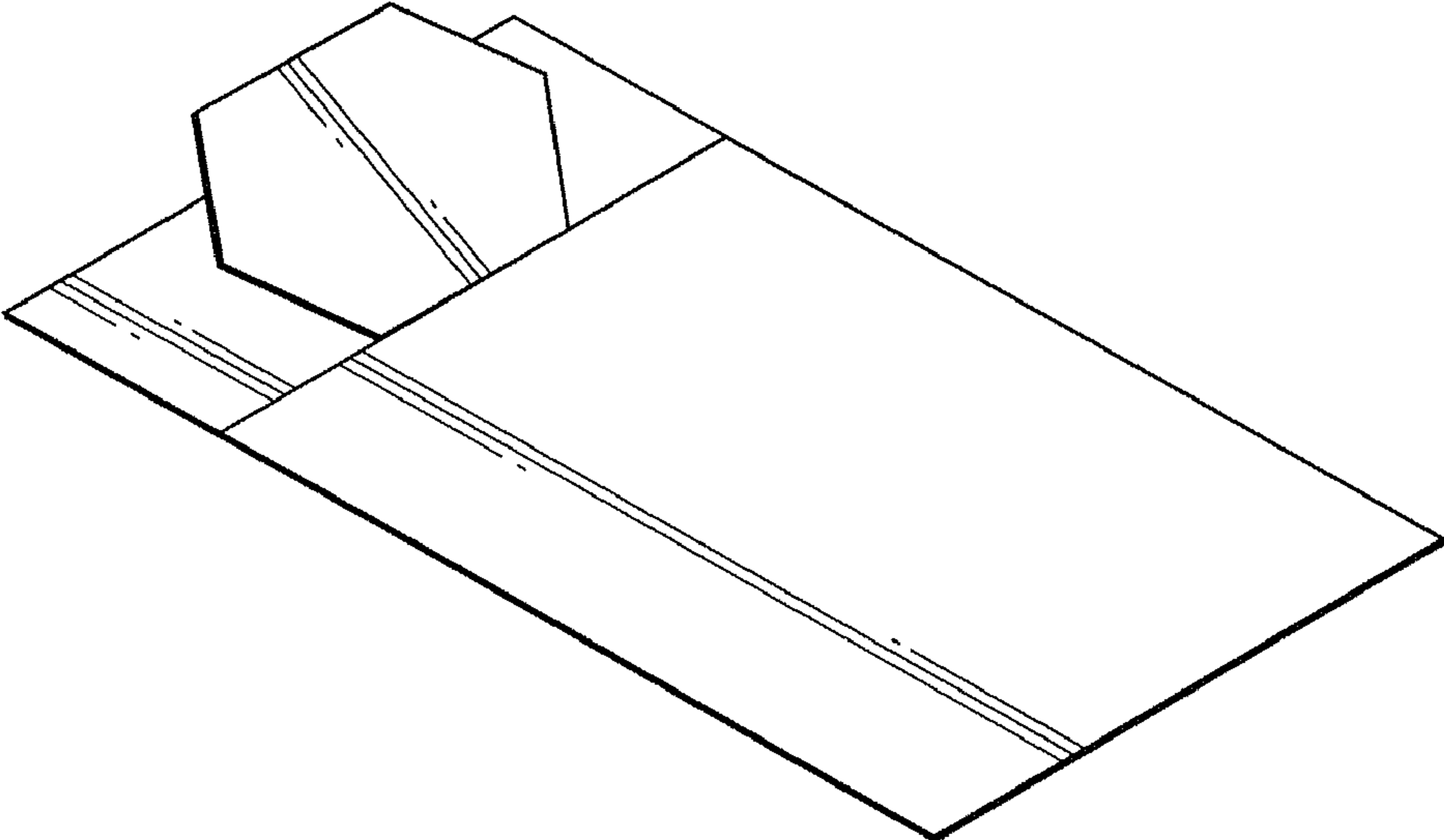


FIG. 1

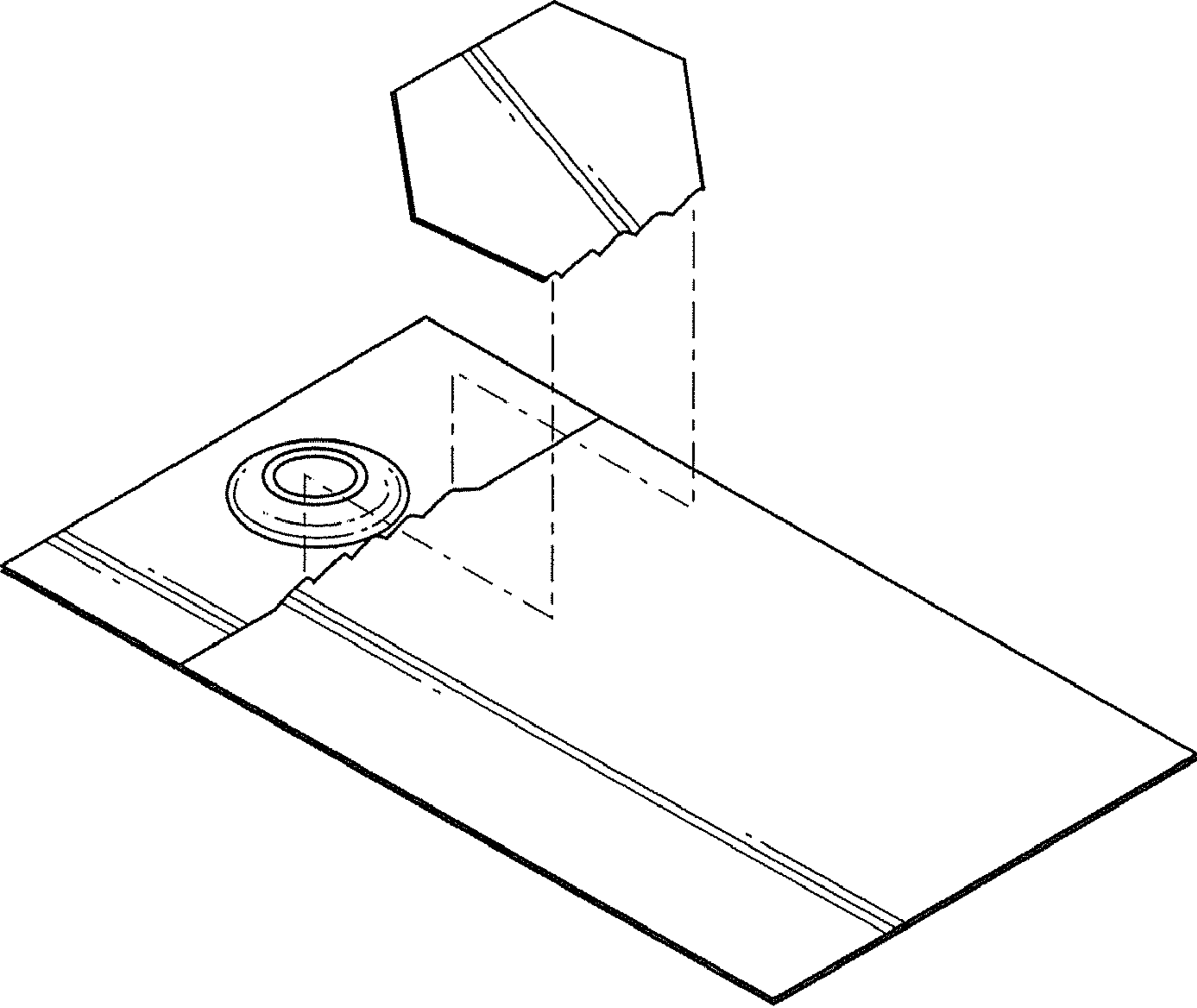


FIG. 2

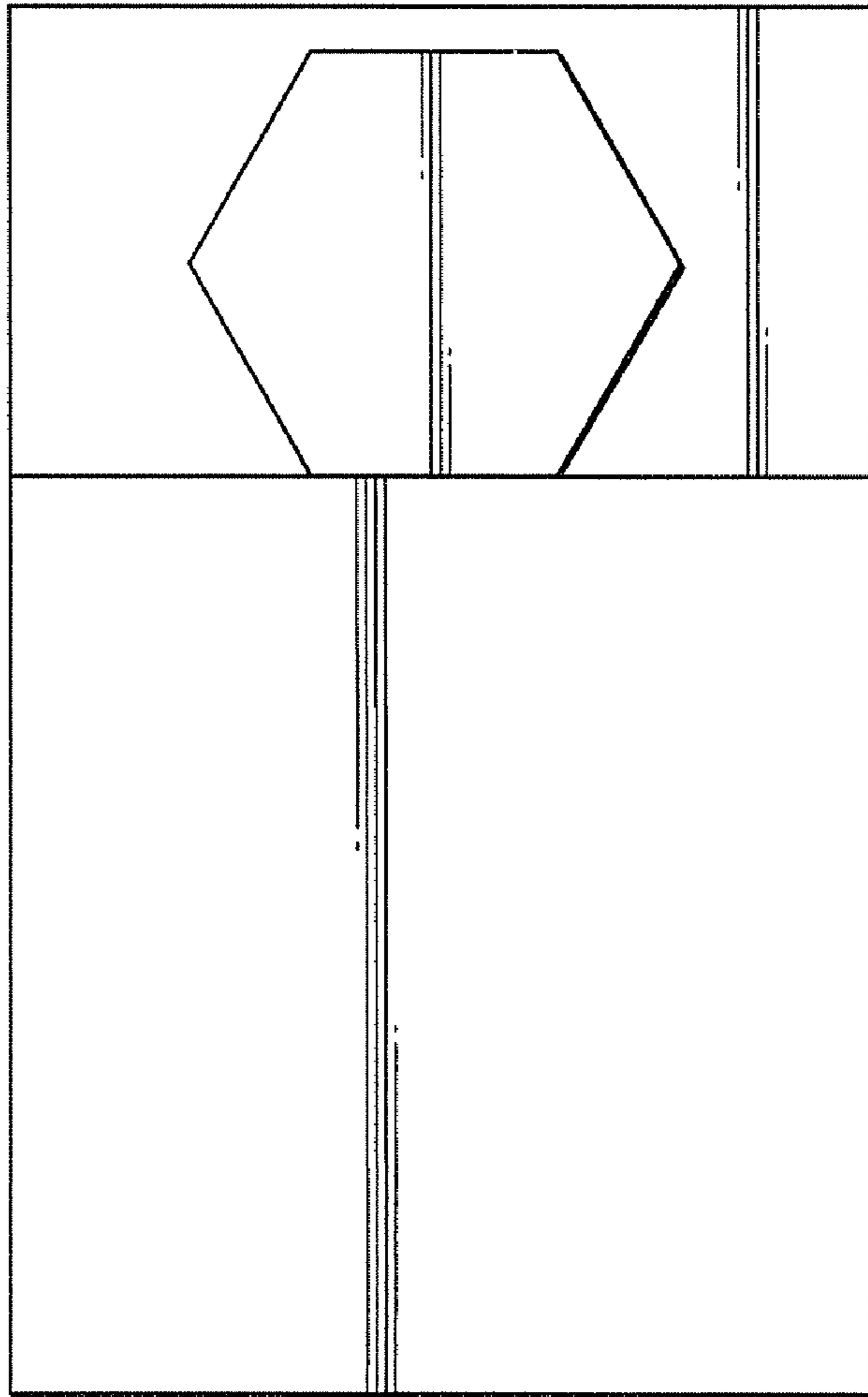


FIG. 3

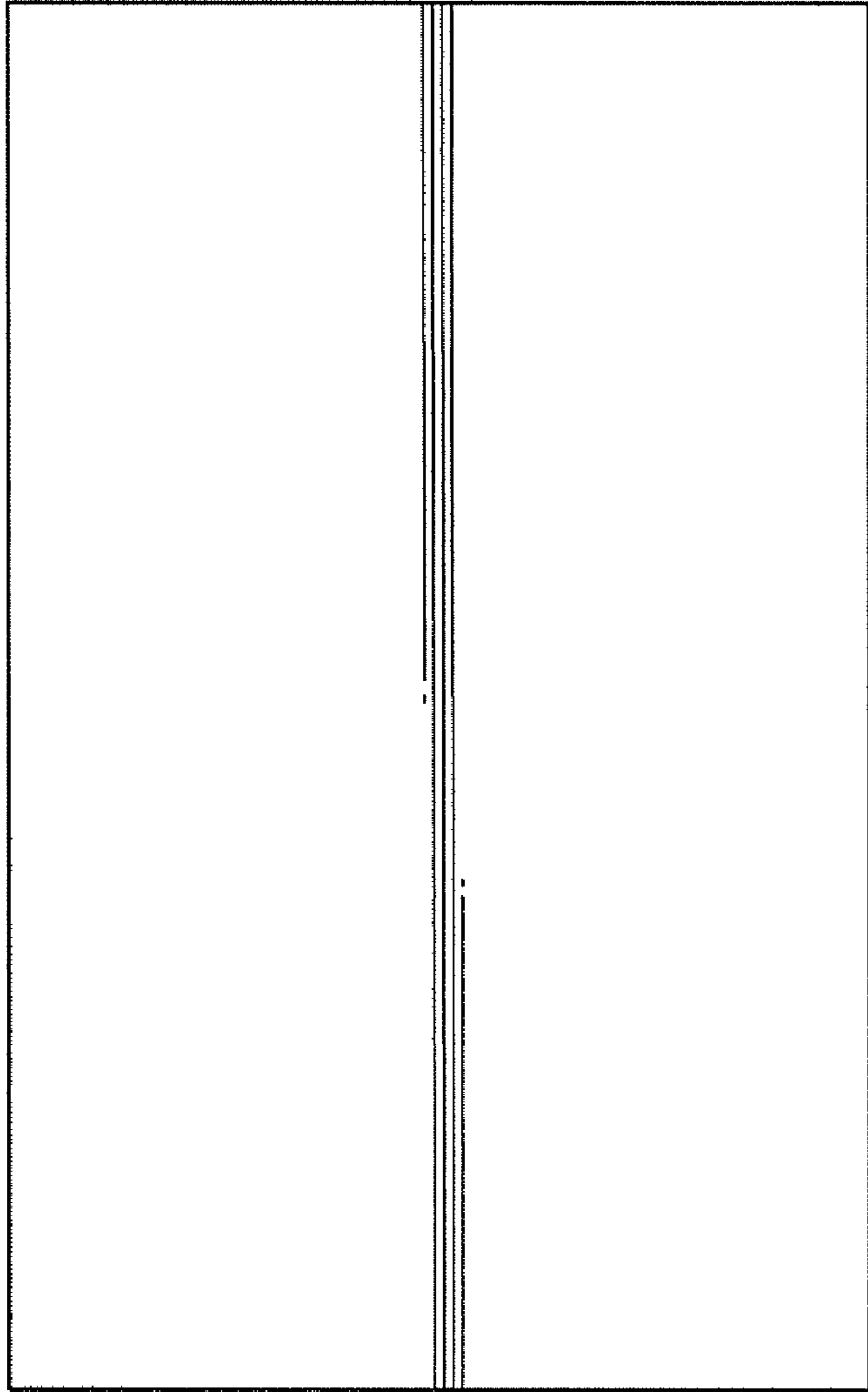


FIG. 4

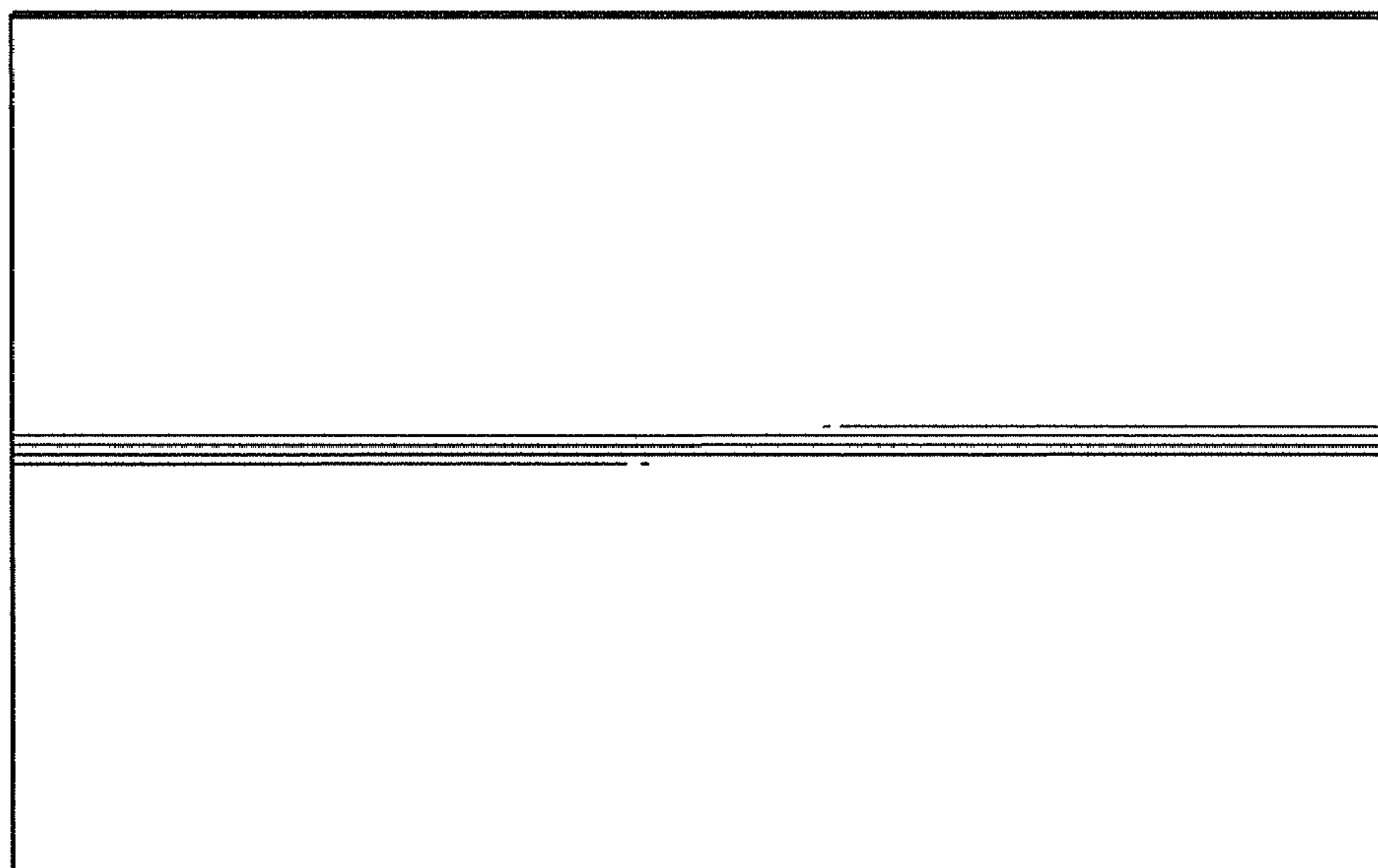


FIG. 6

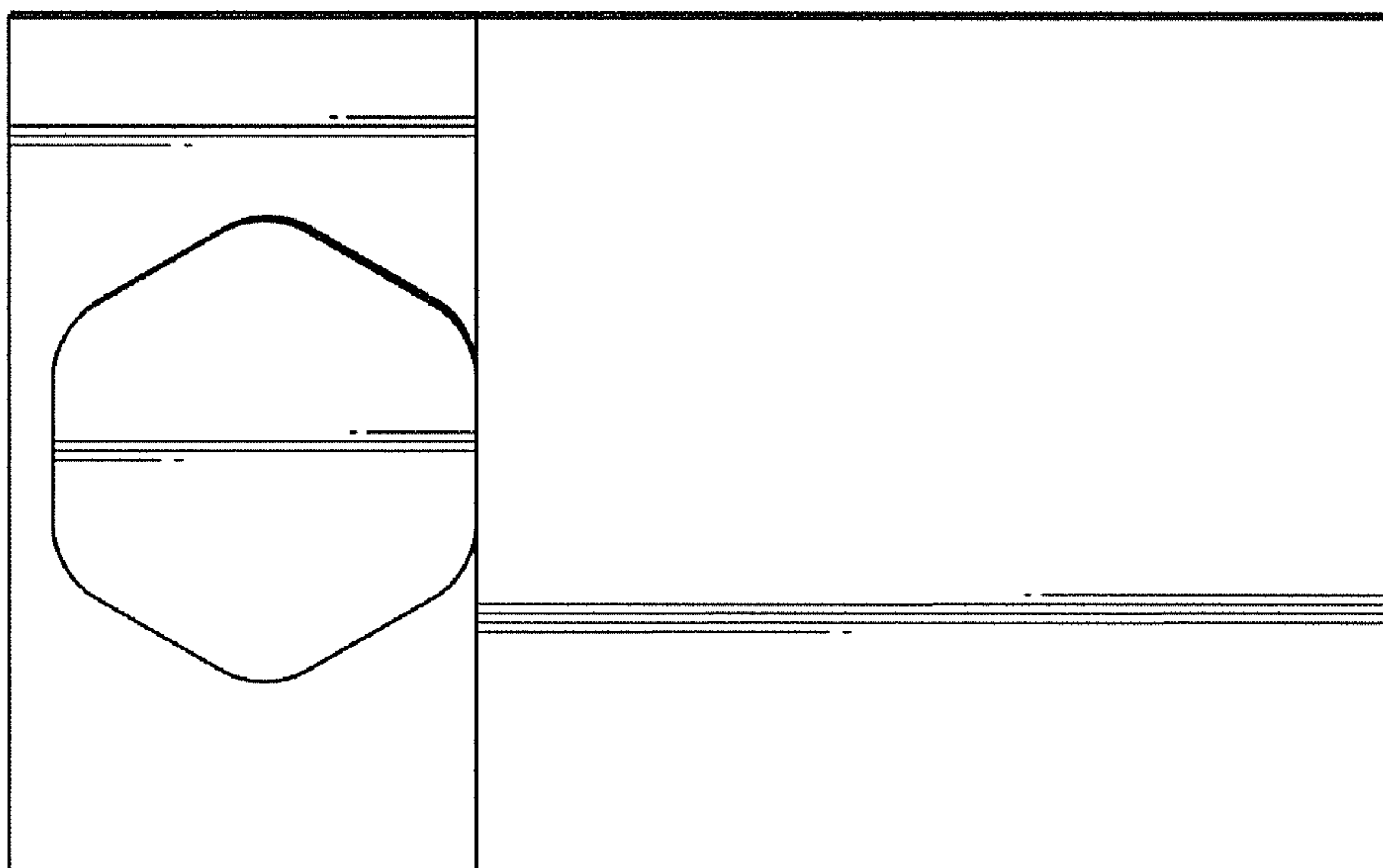


FIG. 5