

US00D571927S

(12) **United States Design Patent**
Wagner

(10) **Patent No.:** **US D571,927 S**
(45) **Date of Patent:** **** Jun. 24, 2008**

(54) **RED MIXING TIP SHAFT AND
TRANSPARENT HOUSING COMBINATION**

EP 1149627 B1 8/2004

OTHER PUBLICATIONS

(75) Inventor: **Ingo W. Wagner**, Woerthsee (DE)

Color photograph (one page) of a Penta Mixing Tip, 3M ESPE Item # 71510 (white mixing tip shaft), which was made commercially available by 3M ESPE Dental Products prior to Sep. 20, 2004.

(73) Assignee: **3M Innovative Properties Company**,
St. Paul, MN (US)

Color photograph (one page) of a MixPac Systems AG dynamic mixing tip (blue mixing tip shaft), which was publicly available prior to Sep. 20, 2004.

(**) Term: **14 Years**

Color photograph (one page) of a Heraeus Kulzer GmbH dynamic mixing tip (grey mixing tip shaft), which was publicly available prior to Sep. 20, 2004.

(21) Appl. No.: **29/224,549**

Color photograph (one page) of a Heraeus Kulzer GmbH dynamic mixing tip (blue mixing tip shaft), which was publicly available prior to Sep. 20, 2004.

(22) Filed: **Mar. 3, 2005**

(30) **Foreign Application Priority Data**

Color photograph (one page) of a Heraeus Kulzer GmbH dynamic mixing tip (white mixing tip shaft), which was publicly available prior to Sep. 20, 2004.

Sep. 20, 2004 (EM) 000228275-0002

(Continued)

(51) **LOC (8) Cl.** **24-02**

(52) **U.S. Cl.** **D24/220**

(58) **Field of Classification Search** D24/216-230;
222/145.6; 366/602, 318, 320, 339, 336,
366/181.5; 7/379

Primary Examiner—Louis S Zarfaz

Assistant Examiner—Anhdao Doan

(74) *Attorney, Agent, or Firm*—Peter L. Olson

See application file for complete search history.

(57) **CLAIM**

(56) **References Cited**

The ornamental design for a red mixing tip shaft and transparent housing combination, as shown and described.

U.S. PATENT DOCUMENTS

DESCRIPTION

D269,039 S	5/1983	Klein	D24/10
D290,395 S	6/1987	Stevens et al.	D24/8
5,249,862 A *	10/1993	Herold et al.	366/312
6,244,740 B1 *	6/2001	Wagner et al.	366/336
6,394,643 B1 *	5/2002	Bublewitz et al.	366/312
6,443,612 B1 *	9/2002	Keller	366/307
6,523,992 B1 *	2/2003	Bublewitz et al.	366/172.1
D474,271 S	5/2003	Iori et al.	D24/119
D483,495 S *	12/2003	Sand	D24/220
6,837,612 B2 *	1/2005	Bublewitz et al.	366/312
2001/0005338 A1 *	6/2001	Muhibauer et al.	366/329.1
2002/0175186 A1	11/2002	Keller		
2003/0137898 A1 *	7/2003	Wagner et al.	366/172.1
2004/0085854 A1 *	5/2004	Pauser et al.	366/172.1

FIG. 1 is a perspective view of a red mixing tip shaft and transparent housing combination, showing my new design;

FIG. 2 is a front elevation view thereof, the rear elevation view being a mirror image;

FIG. 3 is a left side elevation view thereof;

FIG. 4 is a right side elevation view thereof;

FIG. 5 is a top plan view thereof; and,

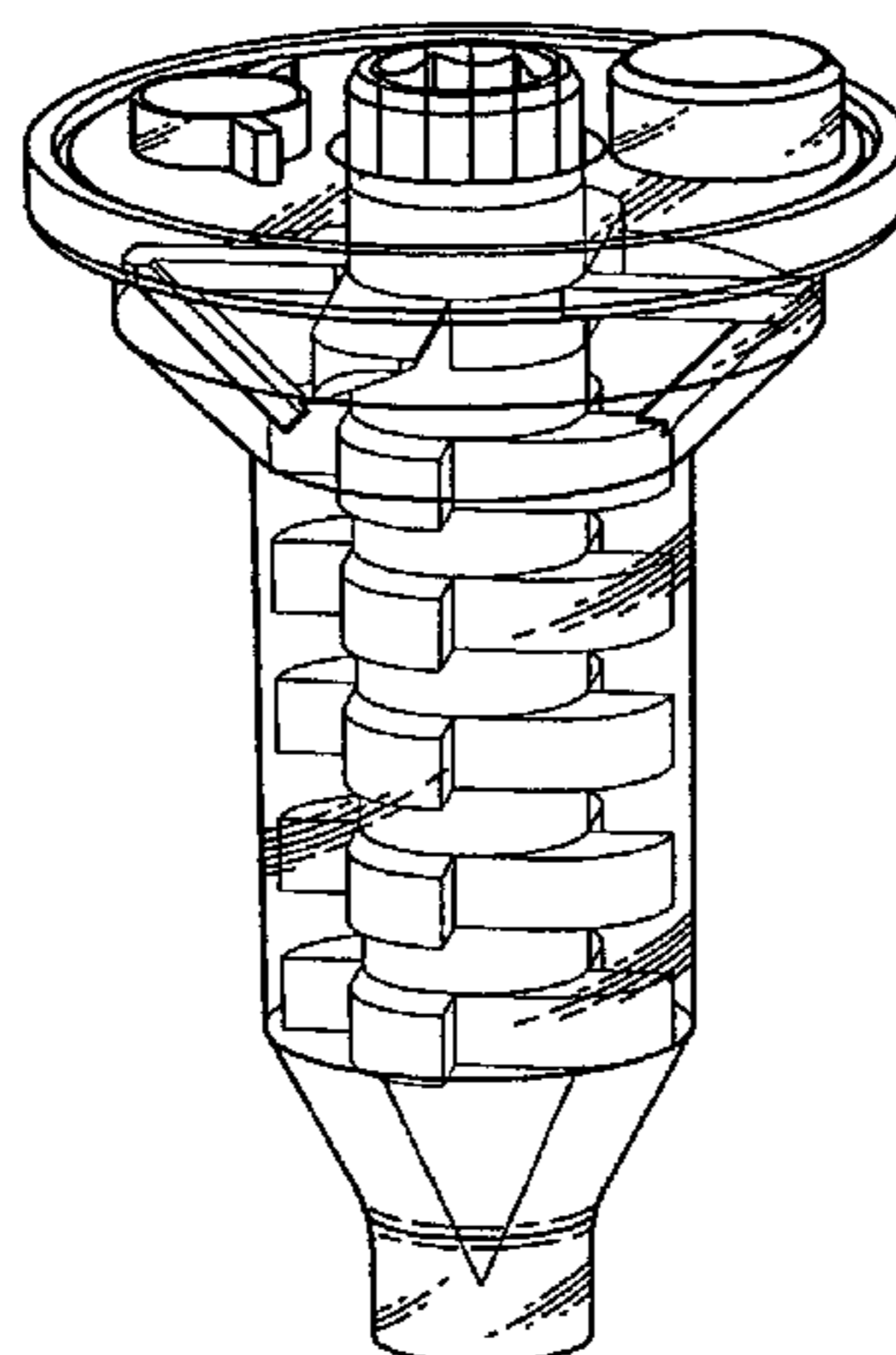
FIG. 6 is a bottom plan view thereof.

The drawings, FIGS. 1-3, 5 and 6 are lined for color. The following explanation of the color is provided for clarity. The lining in FIGS. 1-3, 5 and 6 represents red. It is understood that the entire surface of the mixing tip shaft seen in the center of the transparent housing is red.

FOREIGN PATENT DOCUMENTS

DE	20302987 U1	5/2003
EP	0971787 B1	8/2002

1 Claim, 2 Drawing Sheets



OTHER PUBLICATIONS

Color photograph (one page) of a Kettenbach GmbH & Co. KG Panasil Binetics Putty Dynamic Mixer Mixing Tip (white mixing tip shaft), which was publicly available prior to Sep. 20, 2004.

Color photograph (one page) of a Kettenbach GmbH & Co. KG dynamic mixing tip (white mixing tip shaft), which was publicly available prior to Sep. 20, 2004.

Color photograph (one page) of a Kettenbach GmbH & Co. KG dynamic mixing tip (grey mixing tip shaft), which was publicly available prior to Sep. 20, 2004.

Color photograph (one page) of a DMG Chemisch-Pharmazeutische Fabrik GmbH dynamic mixing tip, which was publicly available prior to Sep. 20, 2004.

Color photograph (one page) of a DMG Chemisch-Pharmazeutische Fabrik GmbH dynamic mixing tip, which was publicly available prior to Sep. 20, 2004.

Color photograph (one page) of a DMG Chemisch-Pharmazeutische Fabrik GmbH dynamic mixing tip, which was publicly available prior to Sep. 20, 2004.

Color photograph (one page) of a DMG Chemisch-Pharmazeutische Fabrik GmbH Honigum—Heavy, MixStar Tip, which was publicly available prior to Sep. 20, 2004.

* cited by examiner

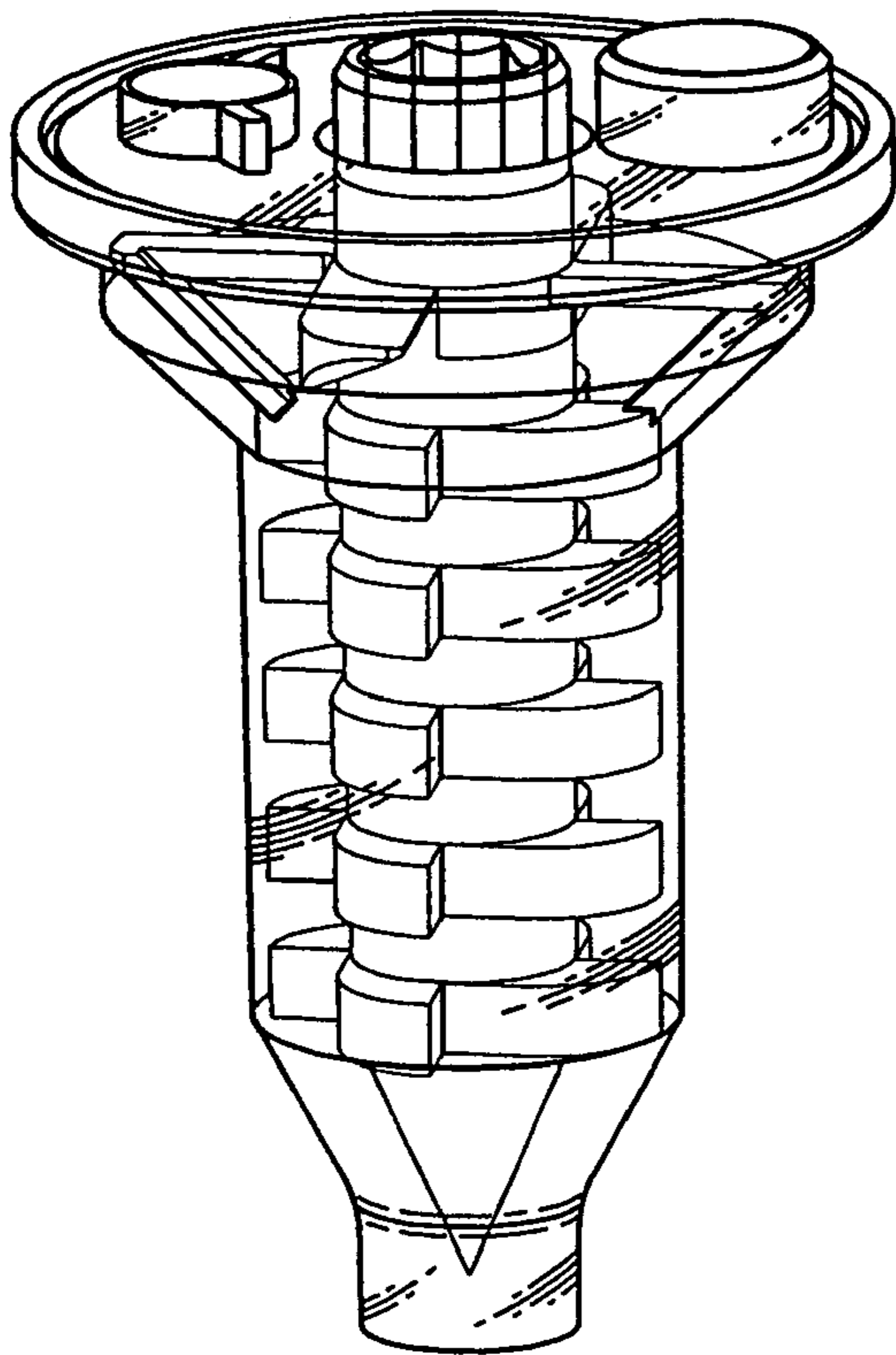


Fig. 1

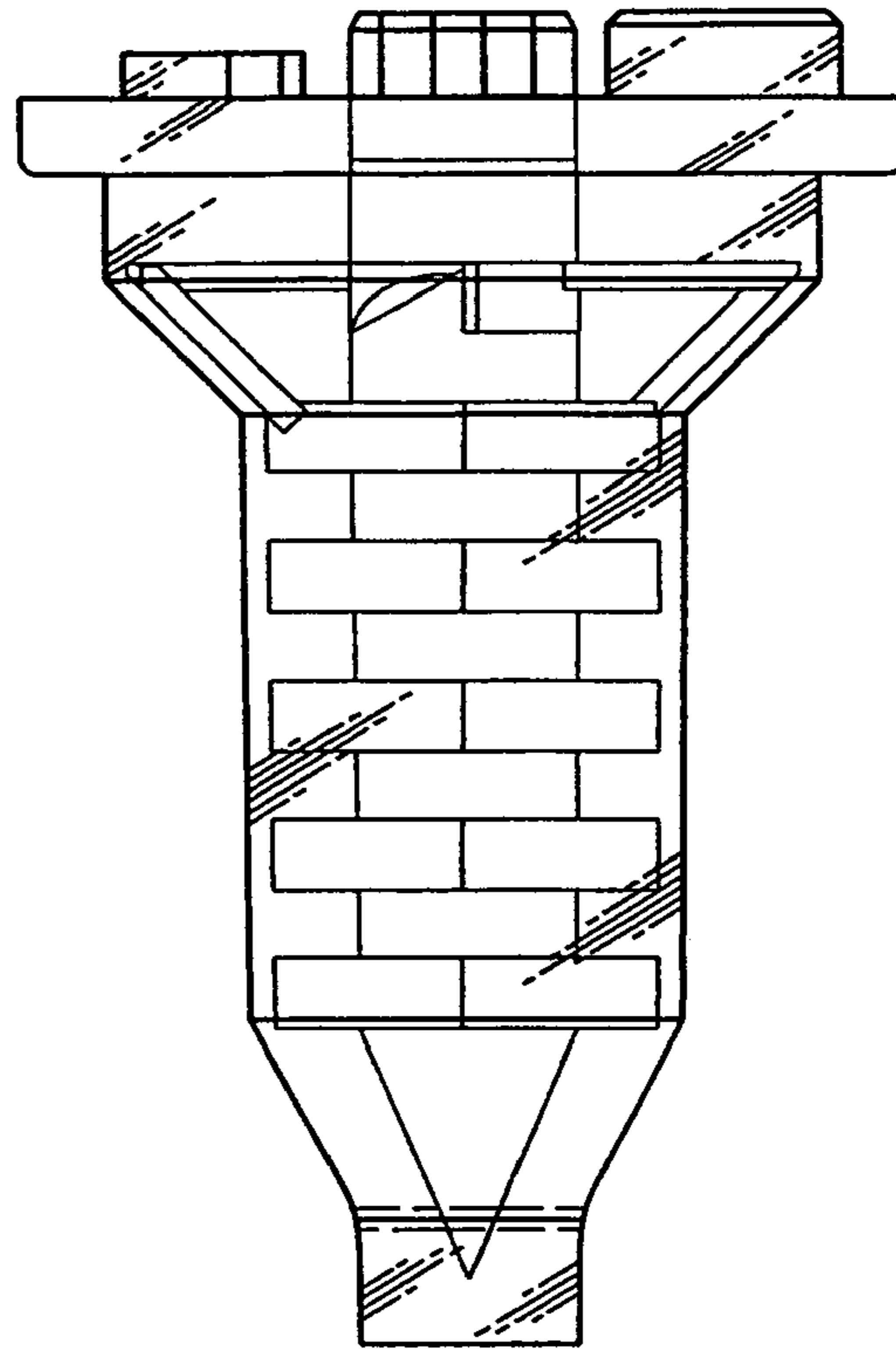


Fig. 2

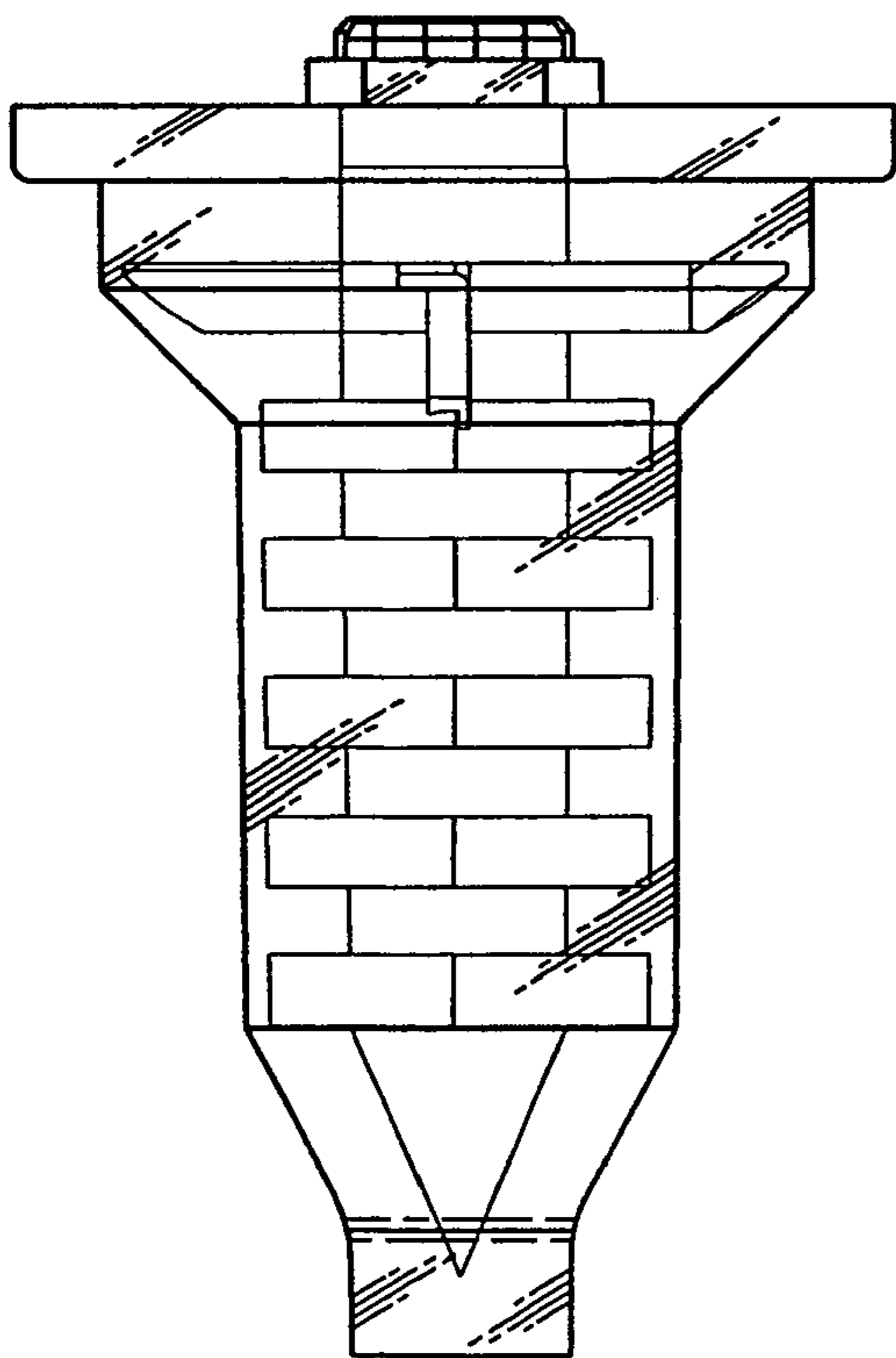


Fig. 3

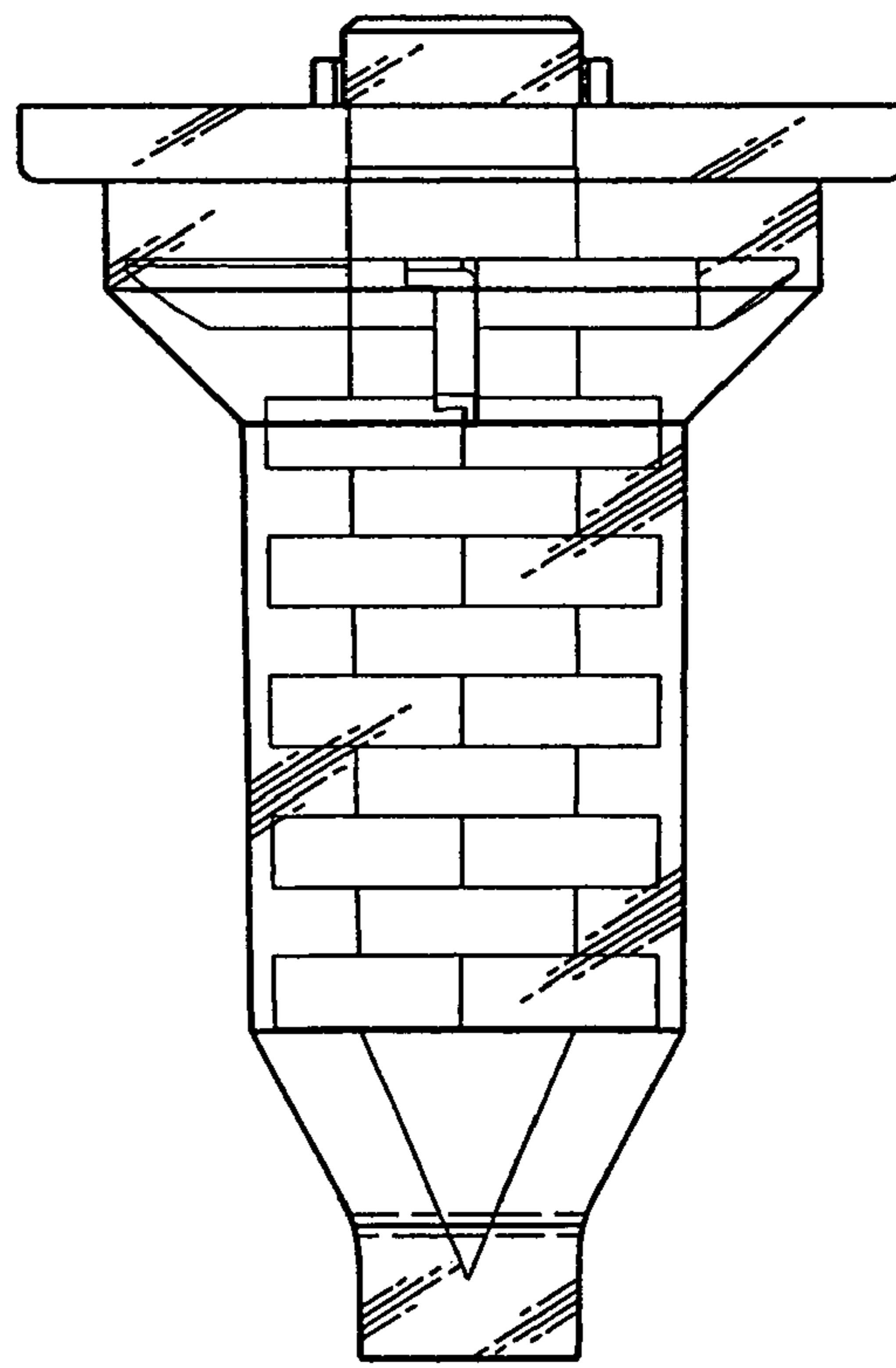


Fig. 4

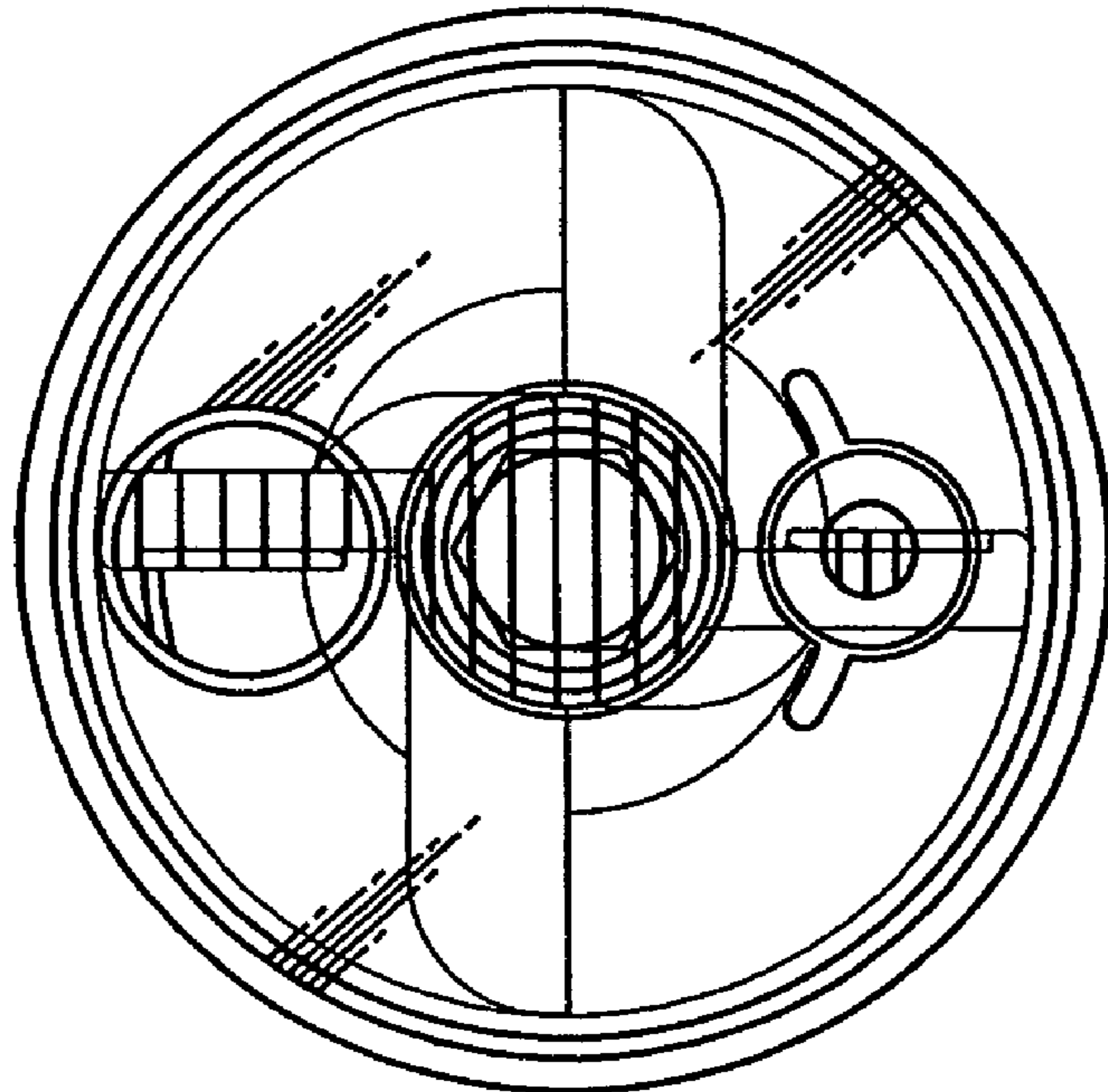


Fig. 5

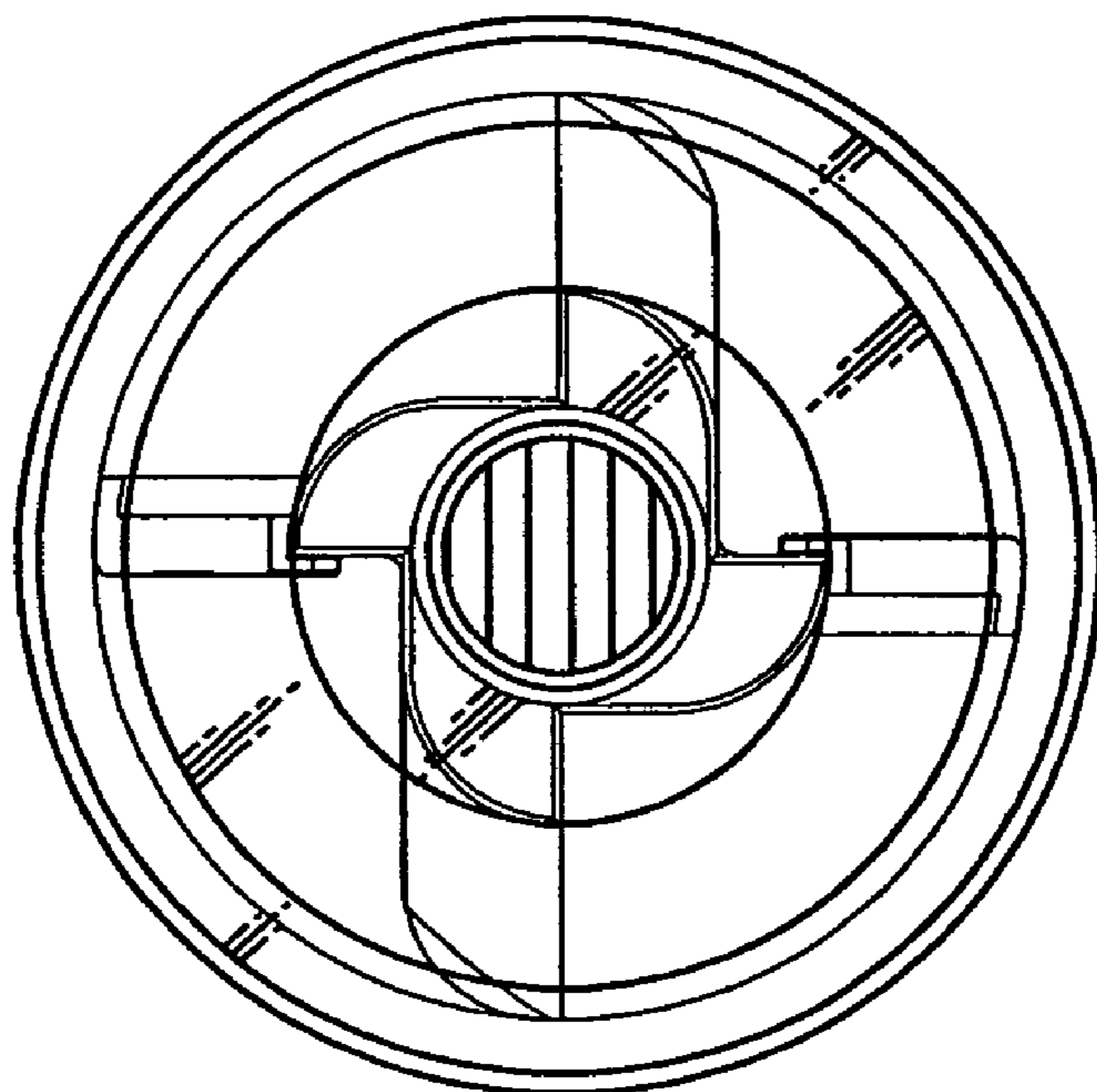


Fig. 6