



US00D571924S

(12) **United States Design Patent**  
**Wu**

(10) **Patent No.:** **US D571,924 S**  
(45) **Date of Patent:** **\*\* Jun. 24, 2008**

(54) **CONTROL DEVICE**

(75) Inventor: **Wei Wu**, Huzhou (CN)

(73) Assignee: **Zhejiang Lover Health Science and Technology Development Co., Ltd.**, Huzhou (CN)

(\*\*) Term: **14 Years**

(21) Appl. No.: **29/276,451**

(22) Filed: **Jan. 26, 2007**

(51) **LOC (8) Cl.** ..... **28-03**

(52) **U.S. Cl.** ..... **D24/215**

(58) **Field of Classification Search** ..... D24/211–215,  
D24/200, 143; 601/46, 101, 87, 84, 80, 70,  
601/85, 78, 67, DIG. 14, DIG. 16, 128, 57,  
601/94, 69, 122, 79, 72; 600/38, 39; D13/168,  
D13/169, 170, 174; D14/218, 137, 159,  
D14/204, 27

See application file for complete search history.

(56) **References Cited**

**U.S. PATENT DOCUMENTS**

5,067,480 A \* 11/1991 Woog et al. .... 601/46  
D536,797 S \* 2/2007 Klearman et al. .... D24/215  
7,267,646 B2 \* 9/2007 Tucker ..... 600/38

2002/0103415 A1 \* 8/2002 Manska et al. .... 600/38  
2007/0126593 A1 \* 6/2007 Nan ..... 601/46  
2007/0179414 A1 \* 8/2007 Imboden et al. .... 601/72

\* cited by examiner

*Primary Examiner*—Ian Simmons  
*Assistant Examiner*—Melanie Levy

(57) **CLAIM**

The ornamental design for a control device, as shown and described.

**DESCRIPTION**

The claimed control device is used for controlling the operation of massaging device.

FIG. 1 is a front elevational view of a control device showing my new design;

FIG. 2 is a rear elevational view thereof;

FIG. 3 is a right side view thereof;

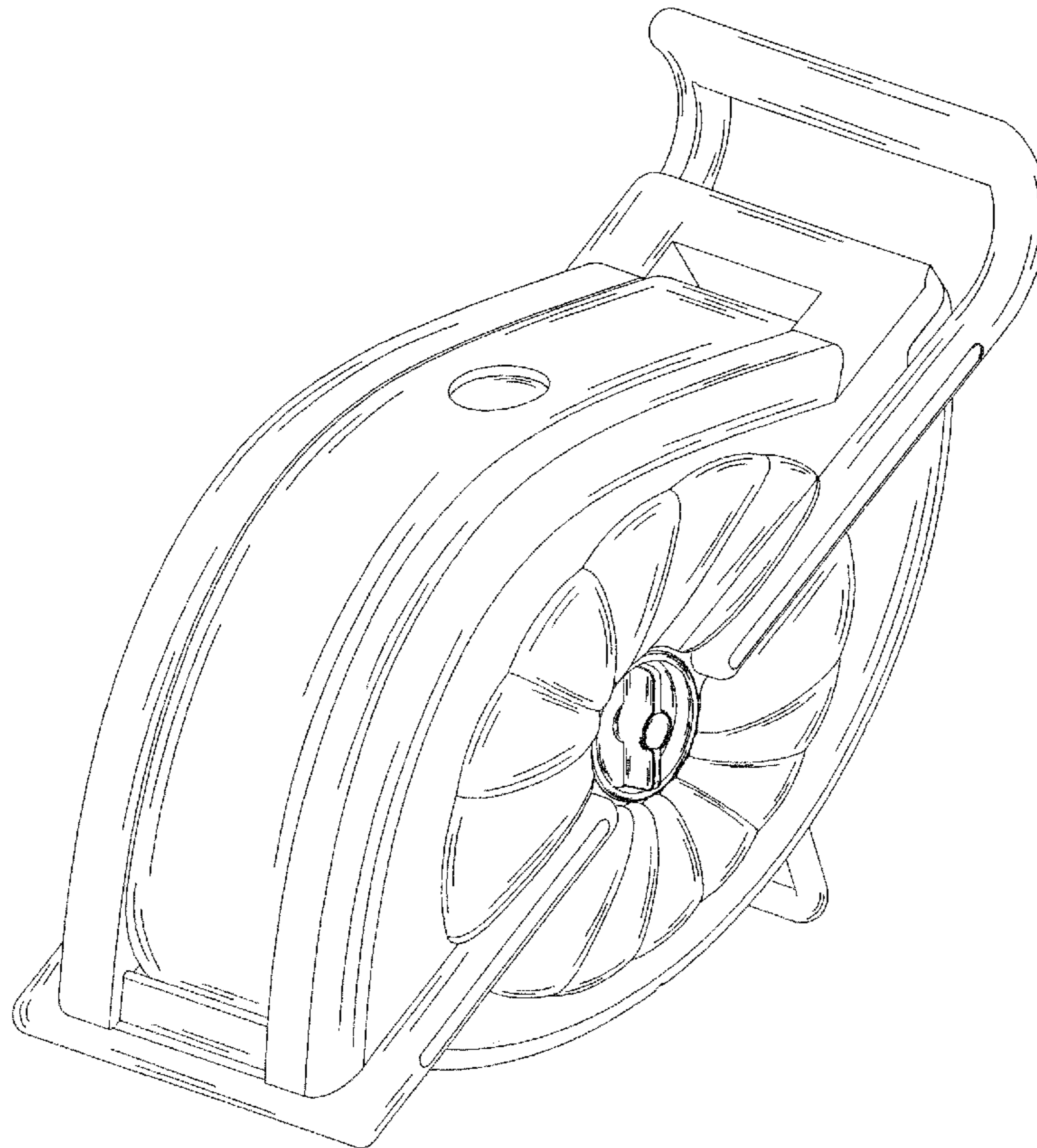
FIG. 4 is a left side view thereof;

FIG. 5 is a top plan view thereof;

FIG. 6 is a bottom plan view thereof; and,

FIG. 7 is a perspective view thereof.

**1 Claim, 6 Drawing Sheets**



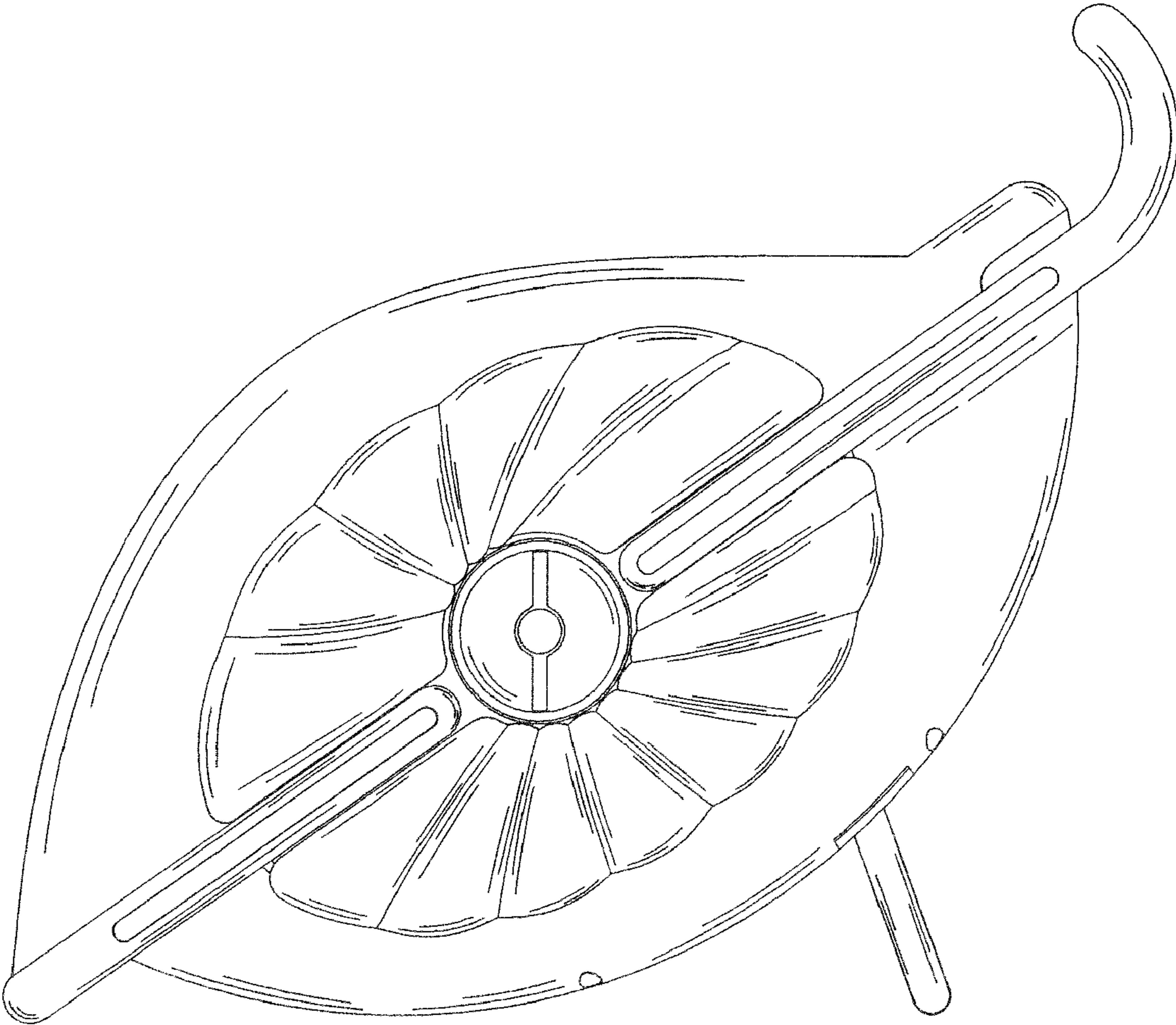


FIG. 1

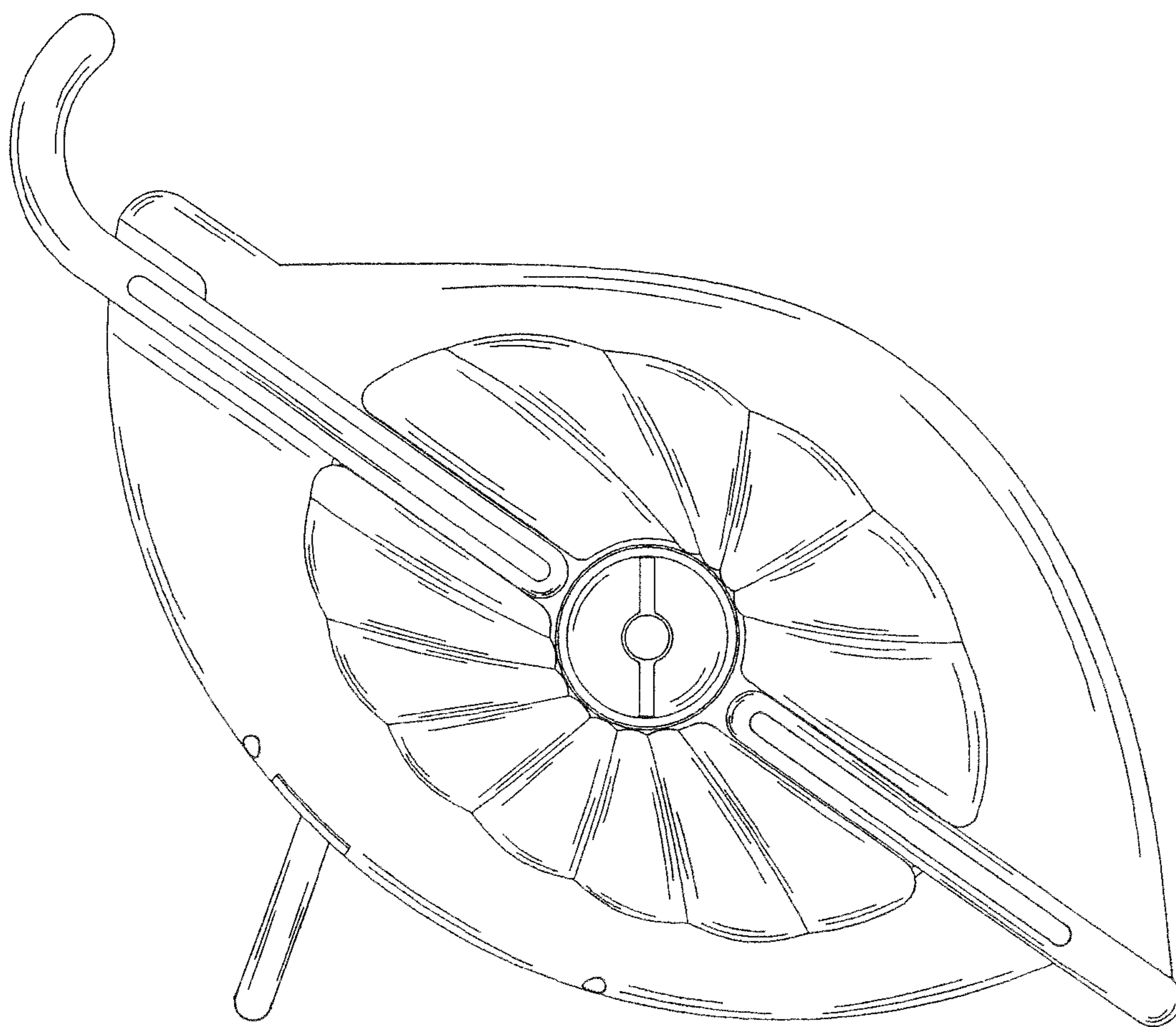


FIG. 2

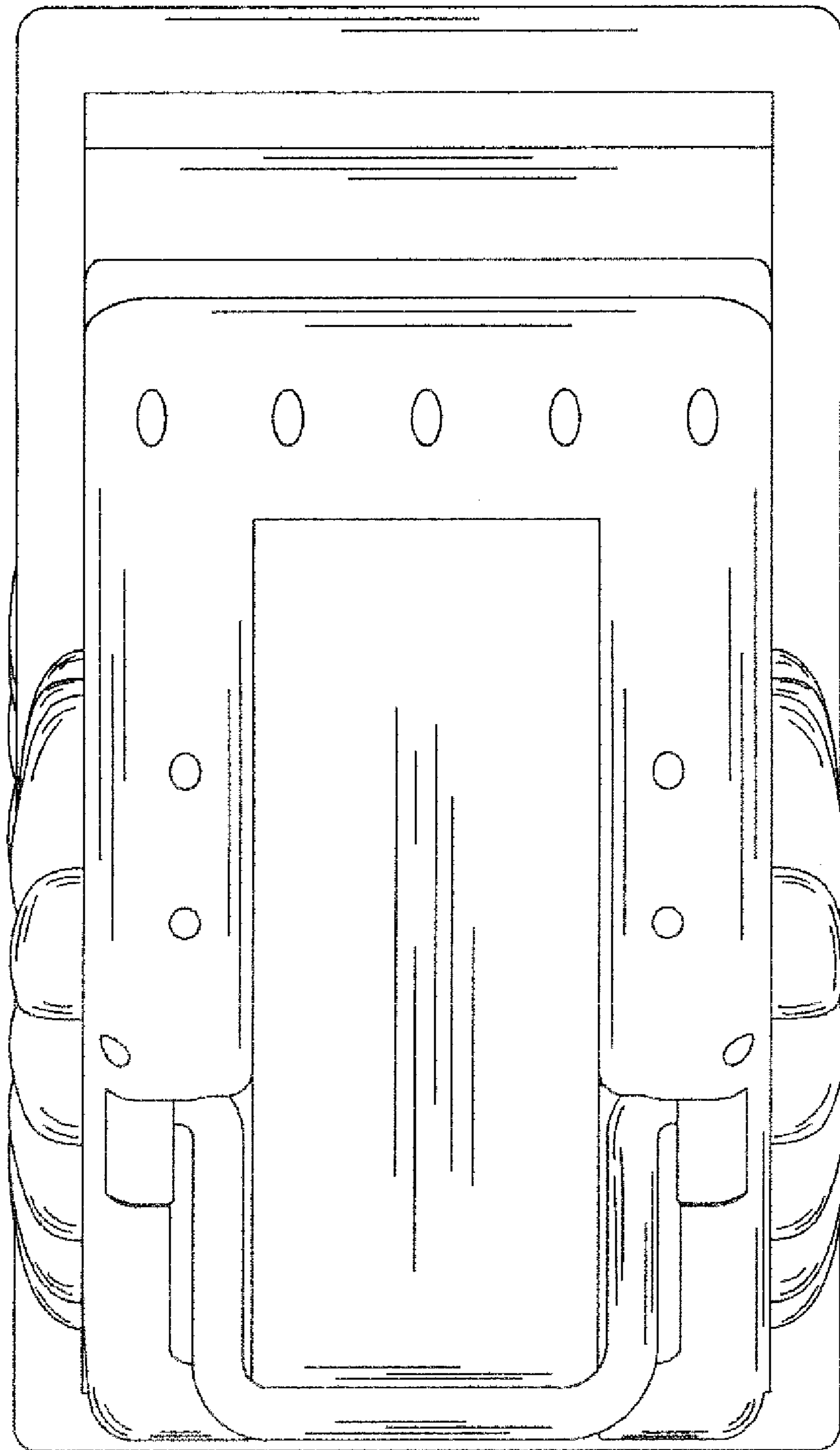


FIG. 3

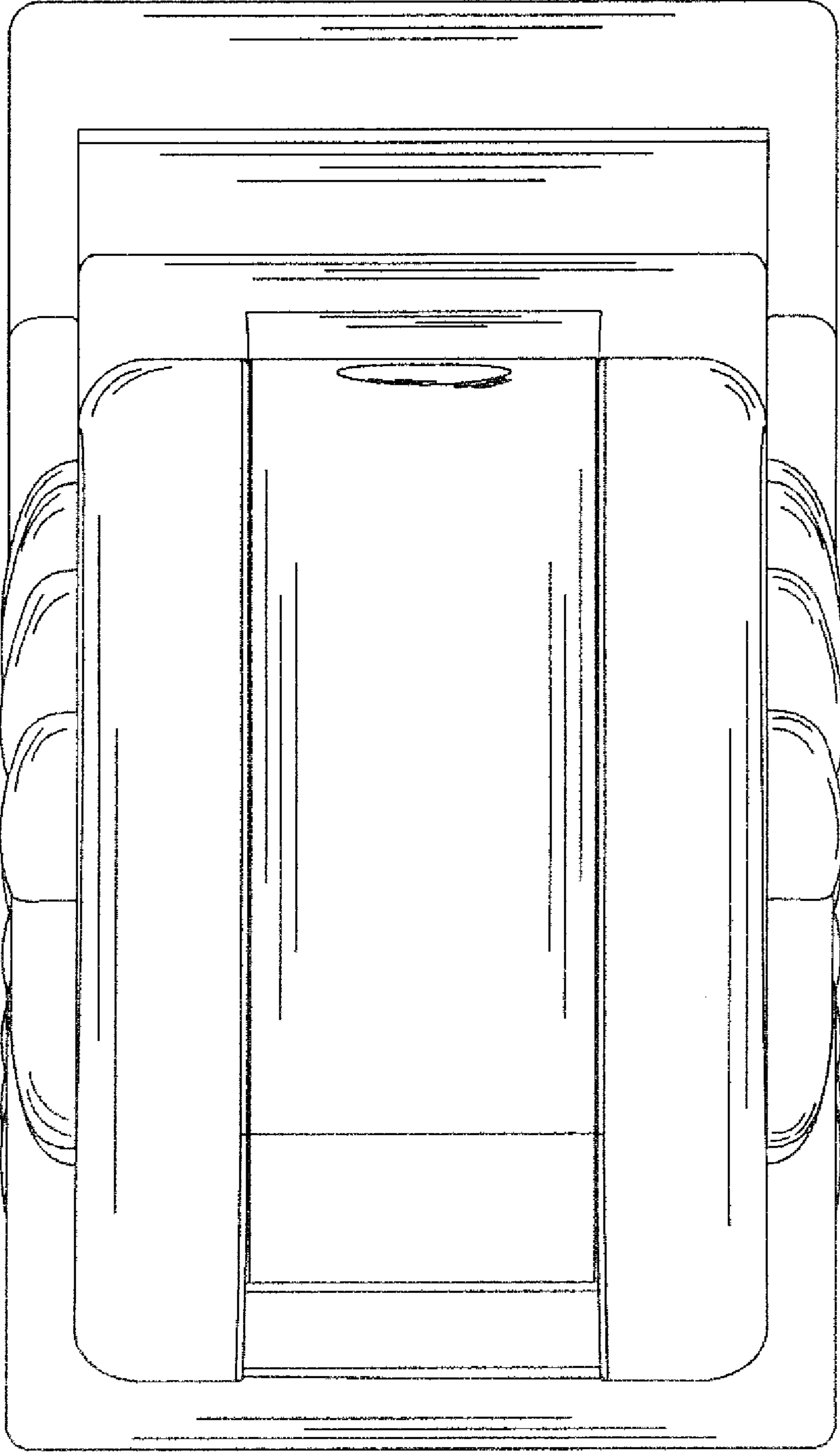


FIG. 4

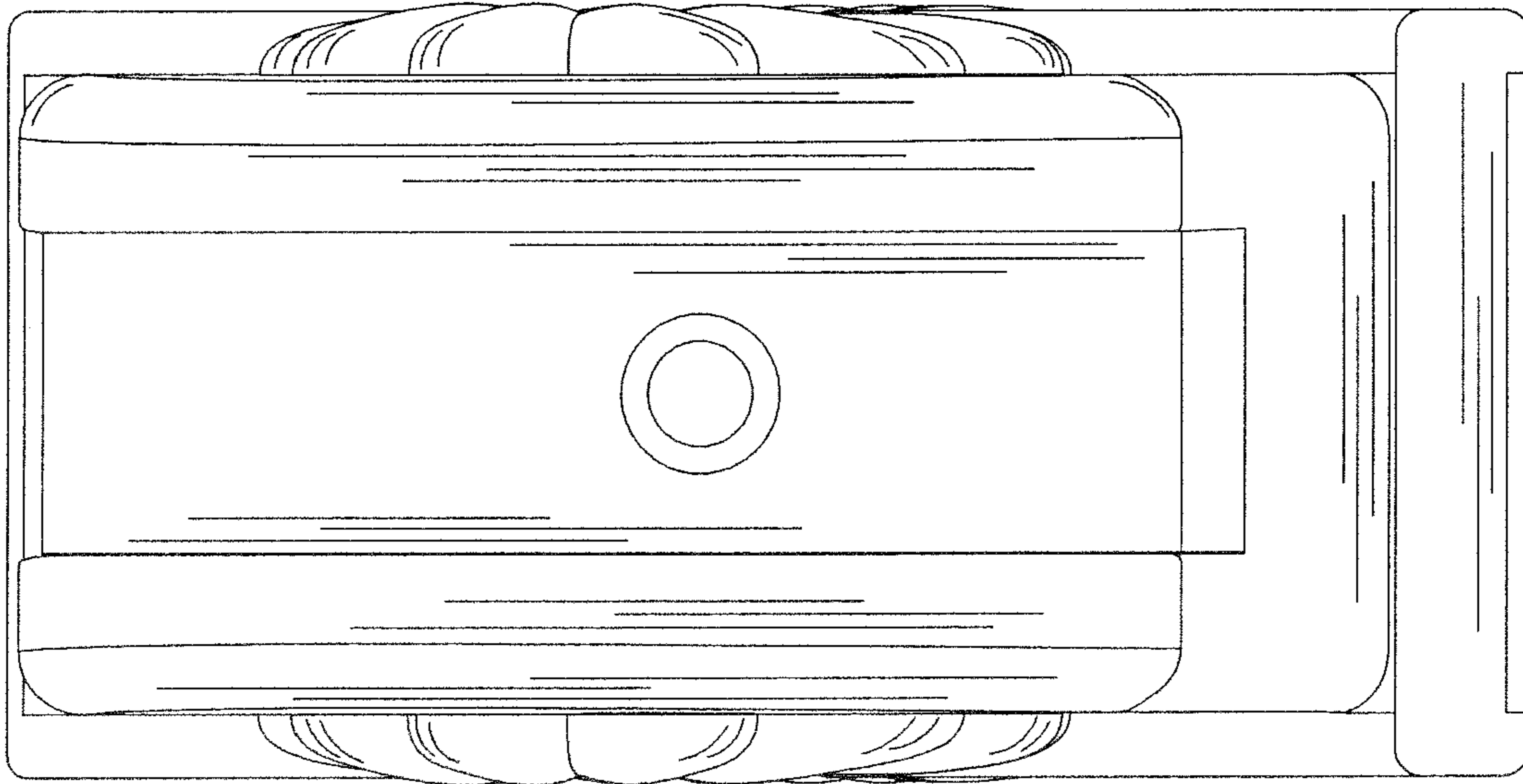


FIG. 5

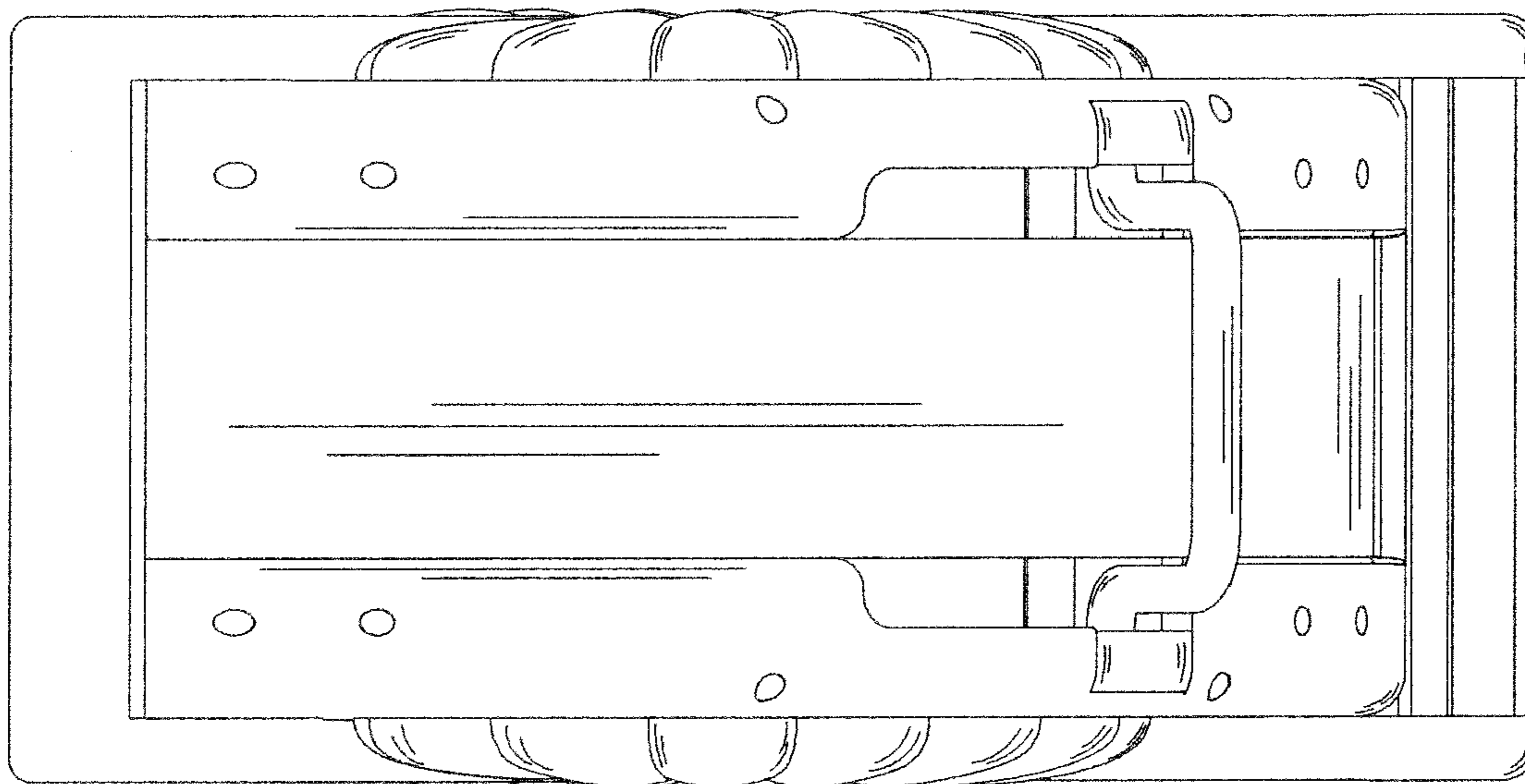


FIG. 6

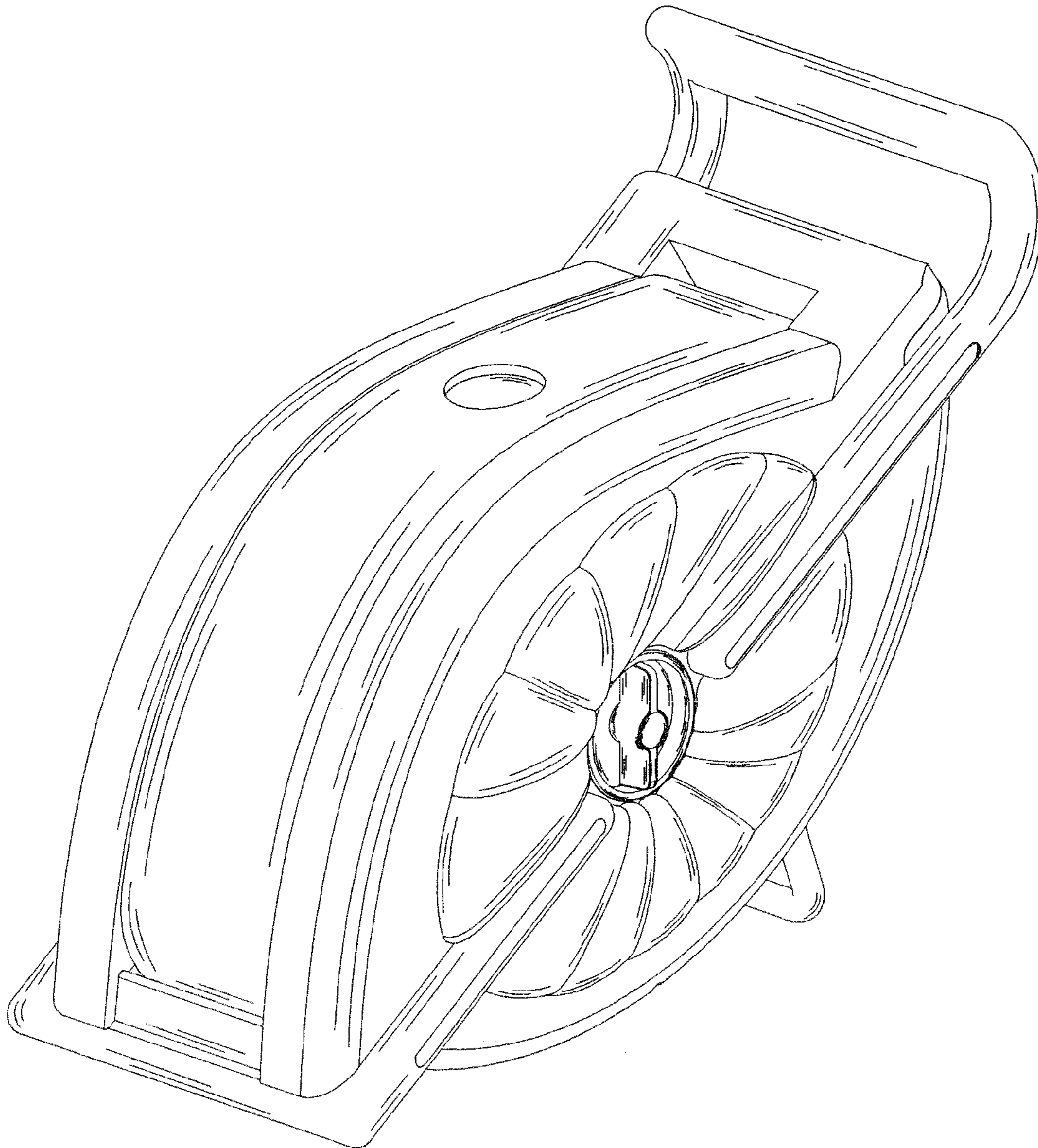


FIG. 7