



US00D571918S

(12) **United States Design Patent**
Mordaunt et al.

(10) **Patent No.:** **US D571,918 S**
(45) **Date of Patent:** **** Jun. 24, 2008**

(54) **SLIT LAMP COVER**

D435,658 S * 12/2000 Lobel et al. D24/172
6,652,511 B1 * 11/2003 Tomita 606/4

(75) Inventors: **David Haydn Mordaunt**, Los Gatos,
CA (US); **Dale G. Brown**, Pleasant
View, UT (US)

* cited by examiner

Primary Examiner—Louis S Zarfaz

Assistant Examiner—Anhdao Doan

(73) Assignee: **Optimedica Corporation**, Santa Clara,
CA (US)

(74) *Attorney, Agent, or Firm*—DLA Piper US LLP

(**) Term: **14 Years**

(57) **CLAIM**

(21) Appl. No.: **29/266,402**

We claim the ornamental design for the slit lamp cover, as shown and described.

(22) Filed: **Sep. 19, 2006**

DESCRIPTION

(51) **LOC (8) Cl.** **24-01**

FIG. 1 is a perspective view of a slit lamp cover showing the new design;

(52) **U.S. Cl.** **D24/172**

FIG. 2 is a side view thereof, the opposite side being a mirror image of this view;

(58) **Field of Classification Search** D24/172,

D24/185, 186; 351/200, 205, 209–212, 216,

351/239, 245, 214; 600/398–400, 402; 606/4–6,

606/10, 11

See application file for complete search history.

FIG. 3 is a front view thereof;

FIG. 4 is a back view thereof;

FIG. 5 is an enlarged top view thereof;

FIG. 6 is an enlarged bottom view thereof; and,

(56) **References Cited**

U.S. PATENT DOCUMENTS

D254,933 S * 5/1980 Muller D24/172

D295,556 S * 5/1988 Speaker D24/172

D299,745 S * 2/1989 Sasaki et al. D24/172

5,424,788 A * 6/1995 Satake et al. 351/206

D360,465 S * 7/1995 Niven D24/172

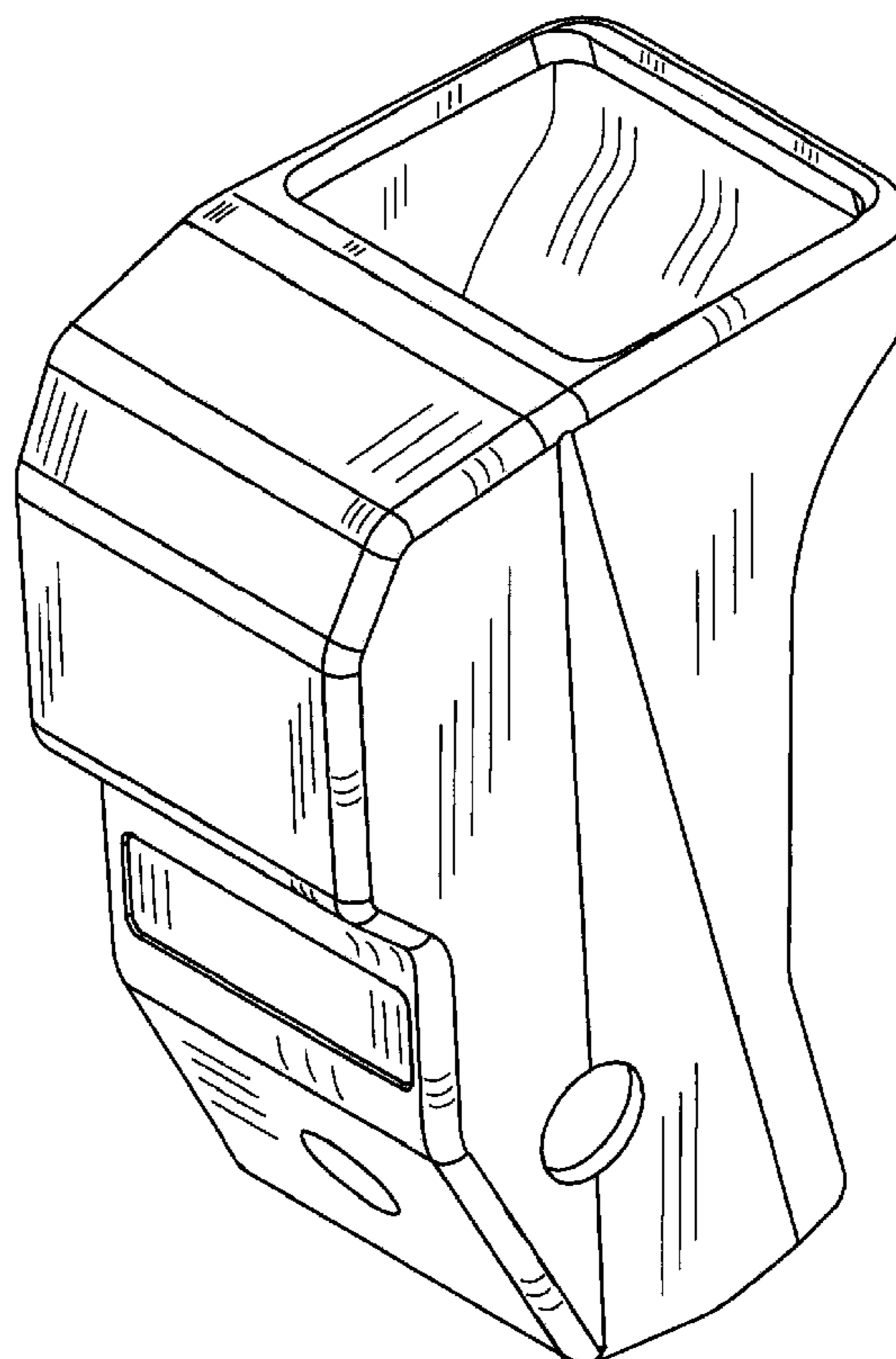
5,488,443 A * 1/1996 Ota et al. 351/221

D410,661 S * 6/1999 Wolf D16/131

FIG. 7 is a perspective view thereof, when with environmental structure. The broken lines in FIG. 7 are for illustrative purposes only and form no part of the claimed design.

The broken lines in FIGS. 4, 5 and 6 are included for the purpose of illustrating unclaimed portions of the slit lamp cover that form no part of the claimed design.

1 Claim, 7 Drawing Sheets



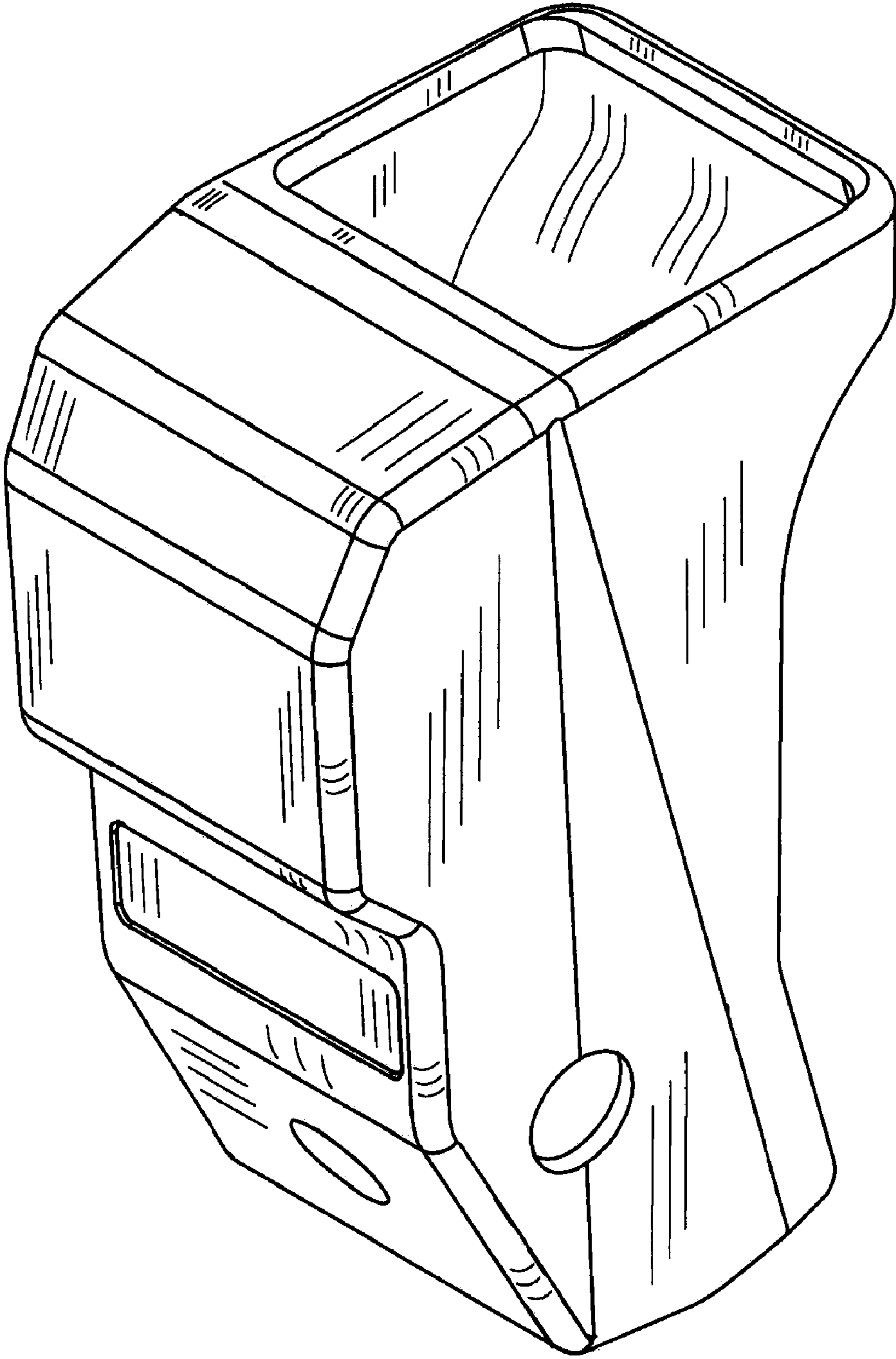


Fig. 1

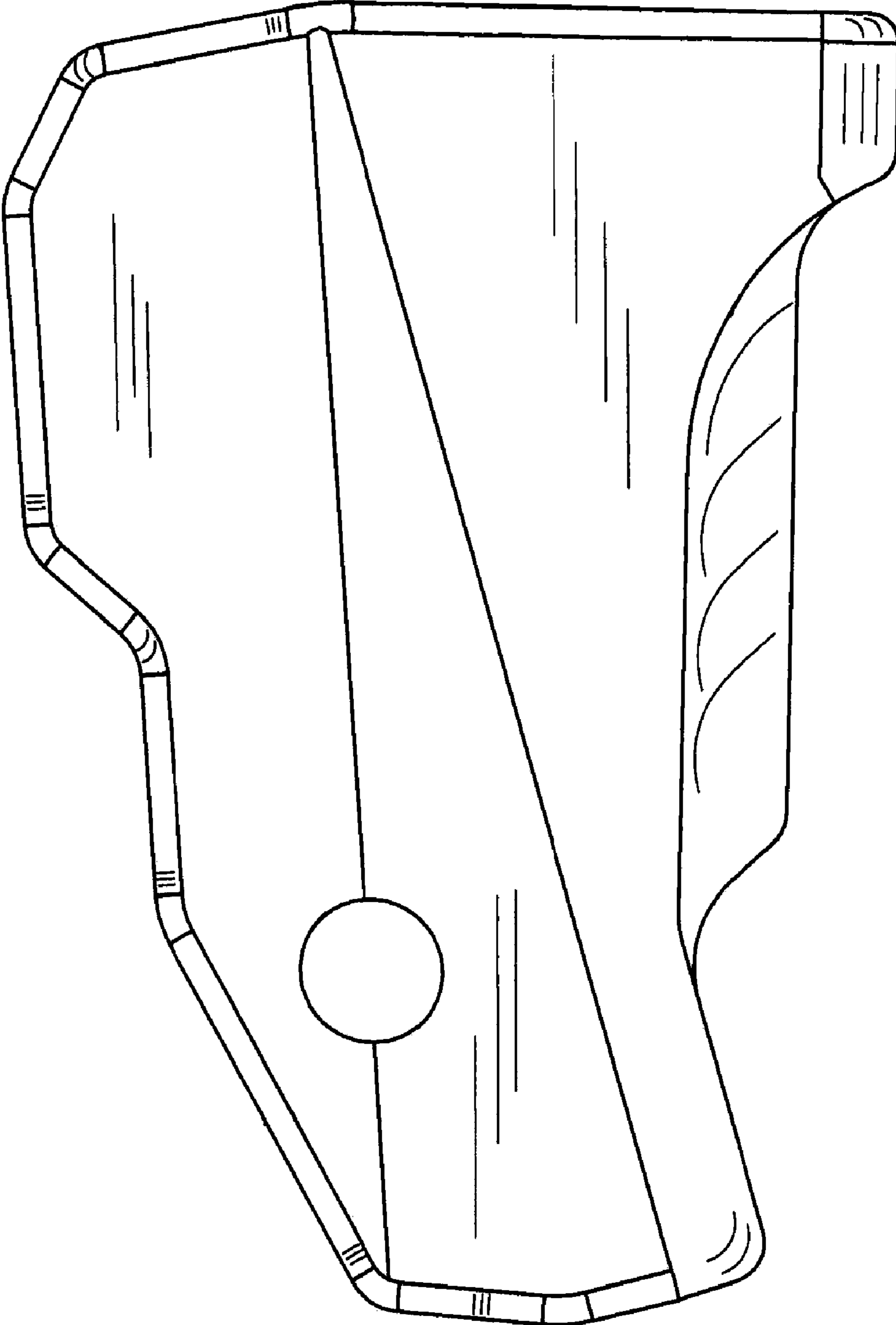


Fig. 2

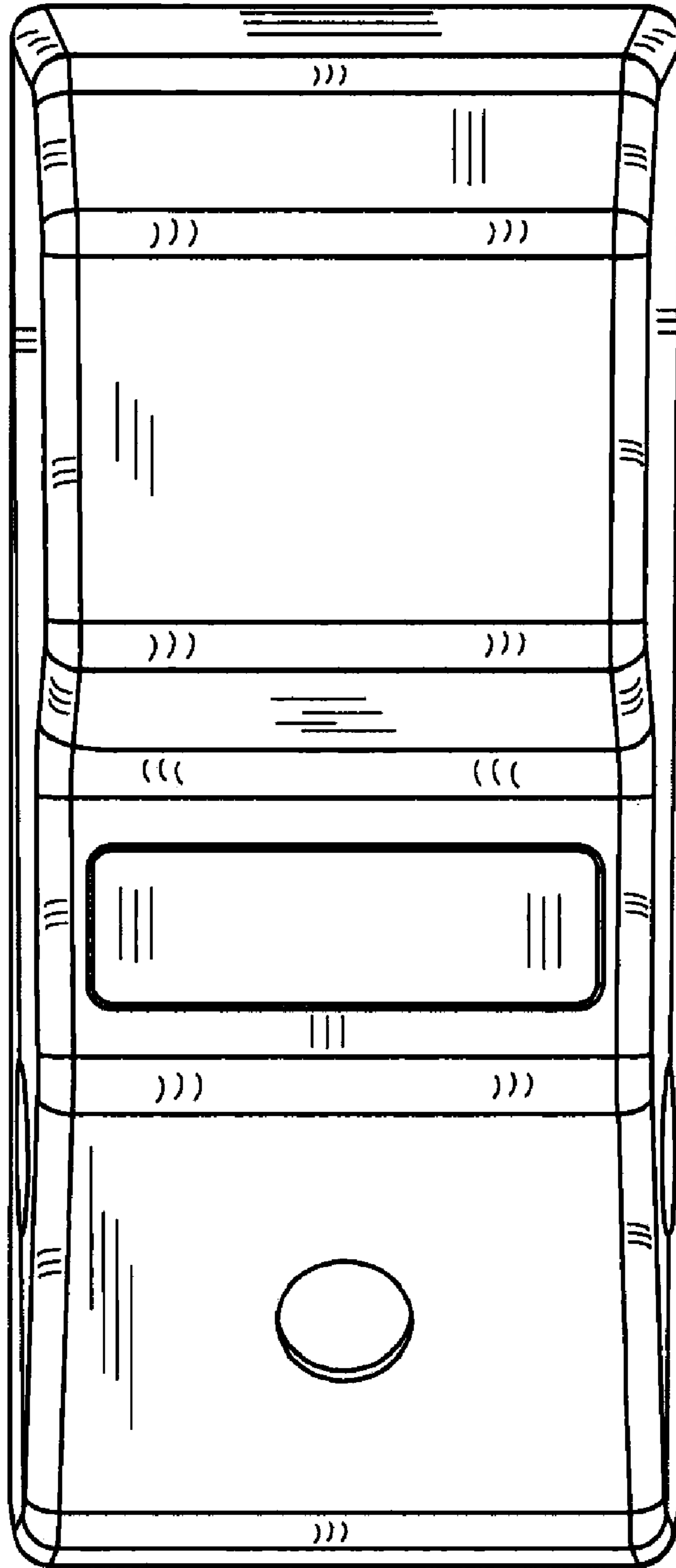


Fig. 3

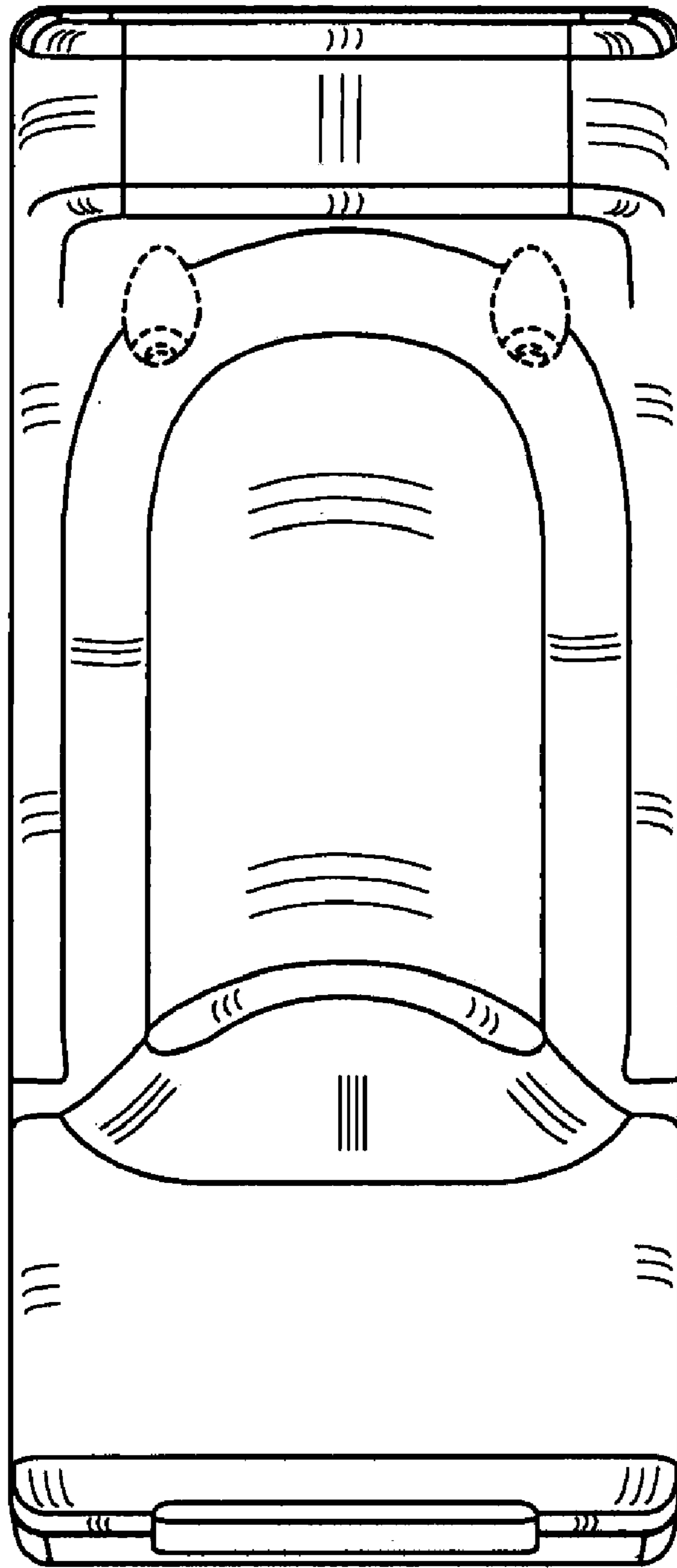


Fig. 4

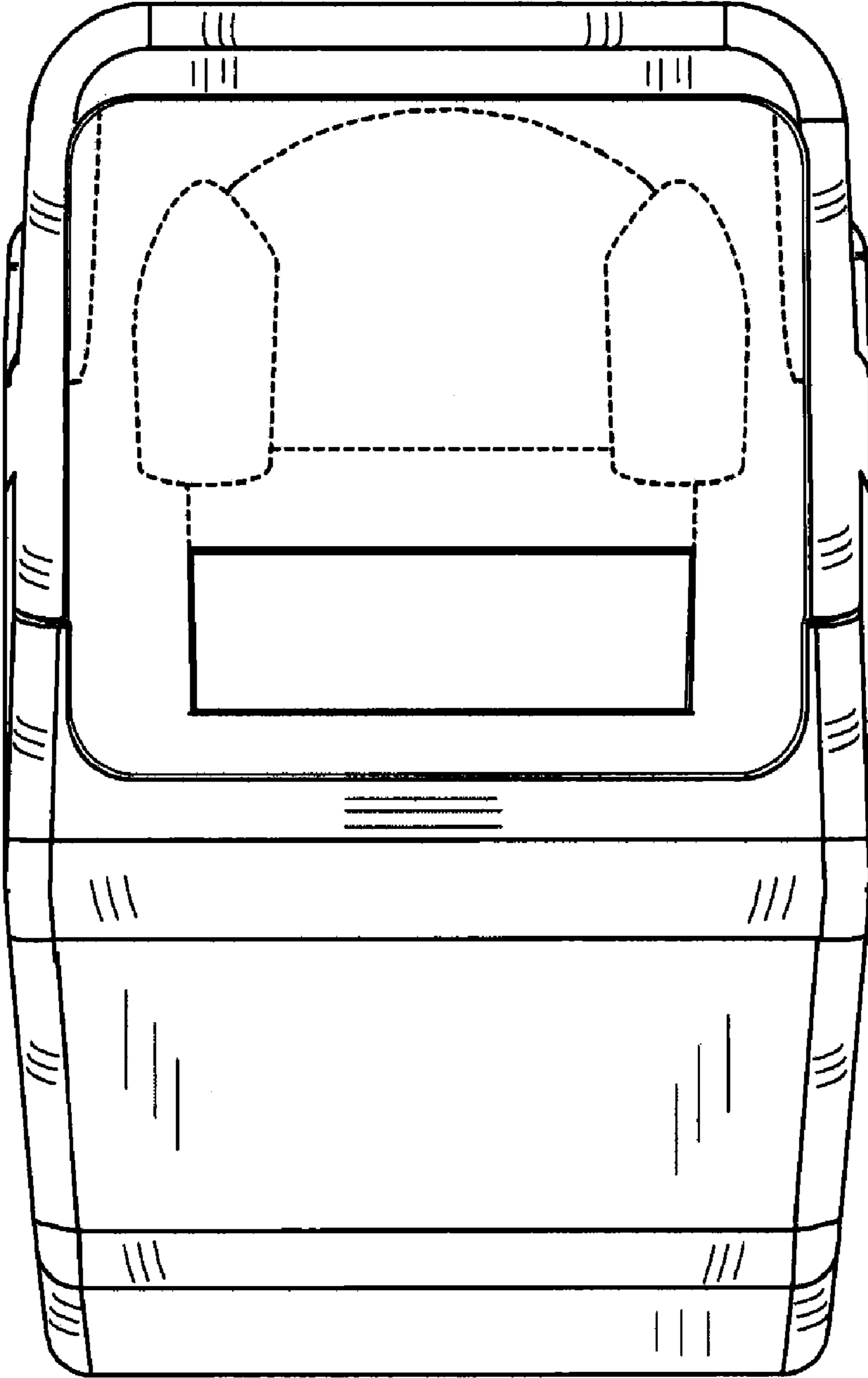


Fig. 5

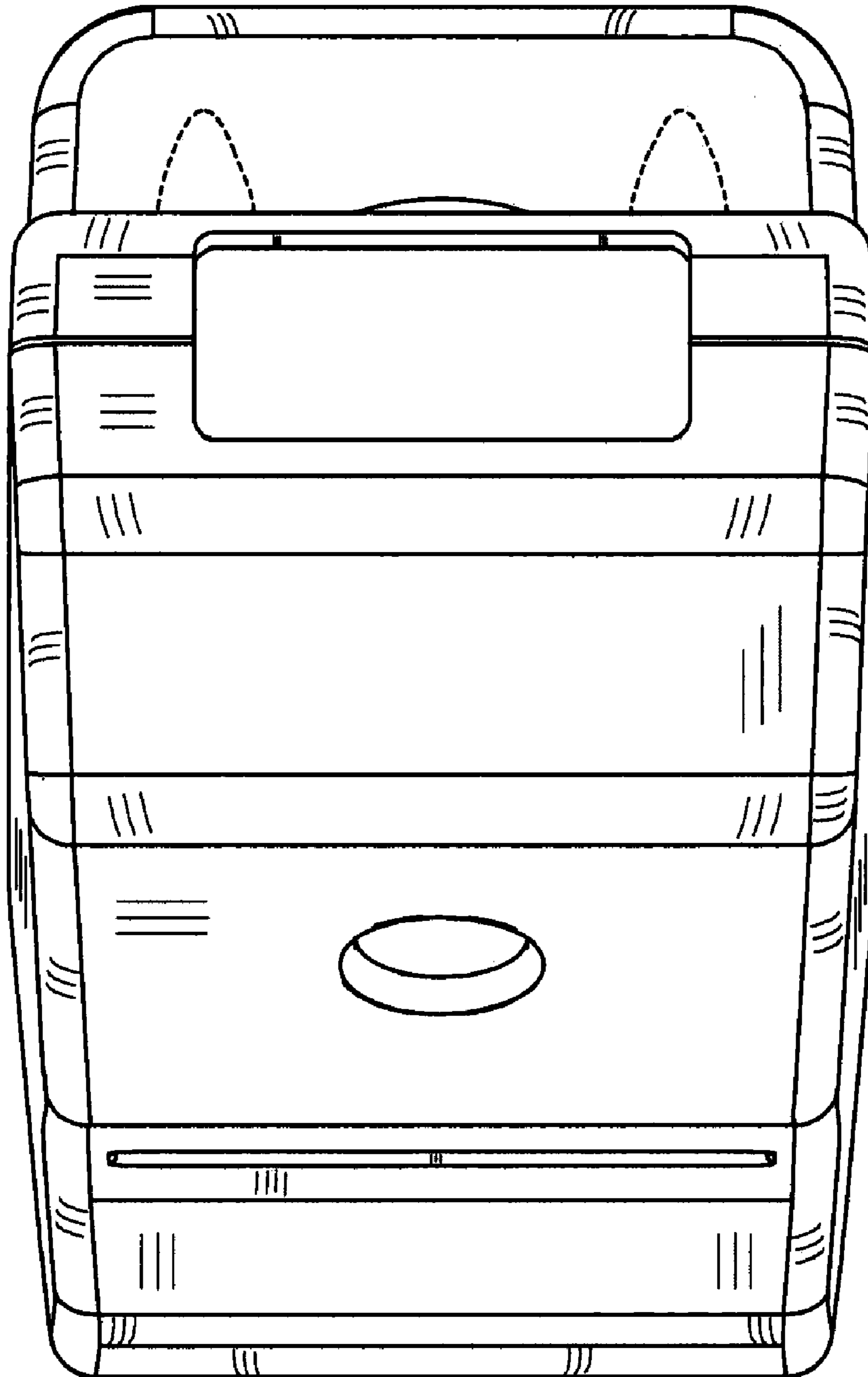


Fig. 6

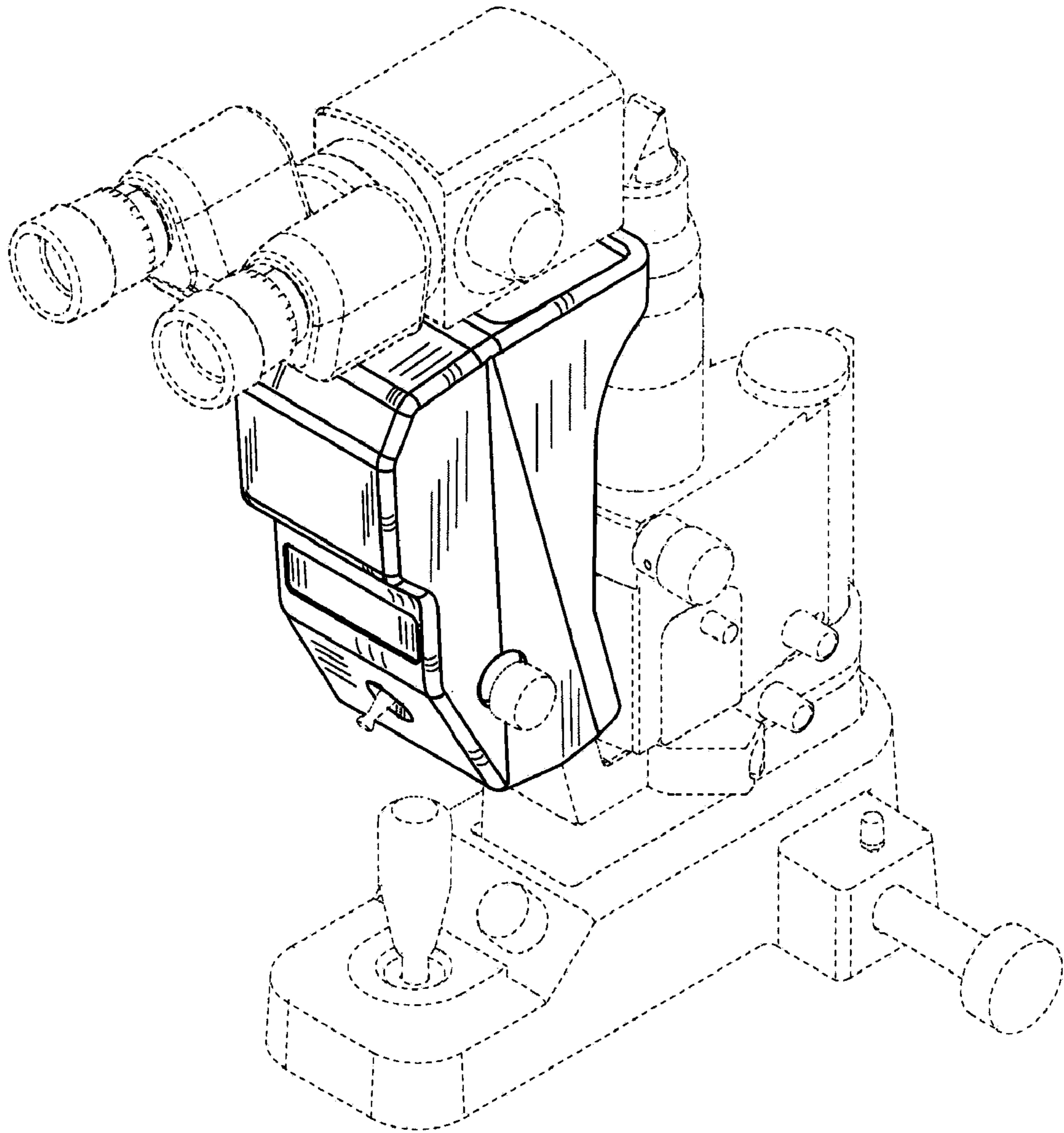


Fig. 7