



US00D571914S

(12) **United States Design Patent**  
**Bacher**

(10) **Patent No.:** **US D571,914 S**  
(45) **Date of Patent:** **\*\* Jun. 24, 2008**

(54) **MEDICAL INSTRUMENT**

(75) Inventor: **Uwe Bacher**, Tuttlingen (DE)

(73) Assignee: **Karl Storz GmbH & Co. KG** (DE)

(\*\*) Term: **14 Years**

(21) Appl. No.: **29/276,183**

(22) Filed: **Jan. 18, 2007**

(30) **Foreign Application Priority Data**

Jul. 19, 2006 (EM) ..... 000563036

(51) **LOC (8) Cl.** ..... **24-02**

(52) **U.S. Cl.** ..... **D24/143; D24/133**

(58) **Field of Classification Search** ..... D24/133,  
D24/130, 135, 143, 146, 147; 606/205, 170,  
606/208

See application file for complete search history.

(56) **References Cited**

**U.S. PATENT DOCUMENTS**

D378,611 S *	3/1997	Croley	.....	D24/144
5,728,107 A *	3/1998	Zlock et al.	.....	606/139
D396,107 S *	7/1998	Utas et al.	.....	D24/143
6,299,624 B1 *	10/2001	Cuschieri et al.	.....	606/167
D459,474 S *	6/2002	Bratt et al.	.....	D24/133

2005/0119692 A1 *	6/2005	Szabo	.....	606/205
2007/0016248 A1 *	1/2007	Cuschieri et al.	.....	606/205
2007/0179524 A1 *	8/2007	Weber et al.	.....	606/205
2007/0267430 A1 *	11/2007	Lee et al.	.....	606/205

\* cited by examiner

*Primary Examiner*—Ian Simmons

*Assistant Examiner*—Carissa C Fitts

(74) *Attorney, Agent, or Firm*—St. Onge Steward Johnston & Reens LLC

(57) **CLAIM**

The ornamental design for a medical instrument, as shown and described in the drawings.

**DESCRIPTION**

FIG. 1 is a front perspective of a medical instrument in accordance with the new design, shown broken in the middle for ease of illustration;

FIG. 2 is a right side elevational view thereof;

FIG. 3 is a left side elevational view thereof;

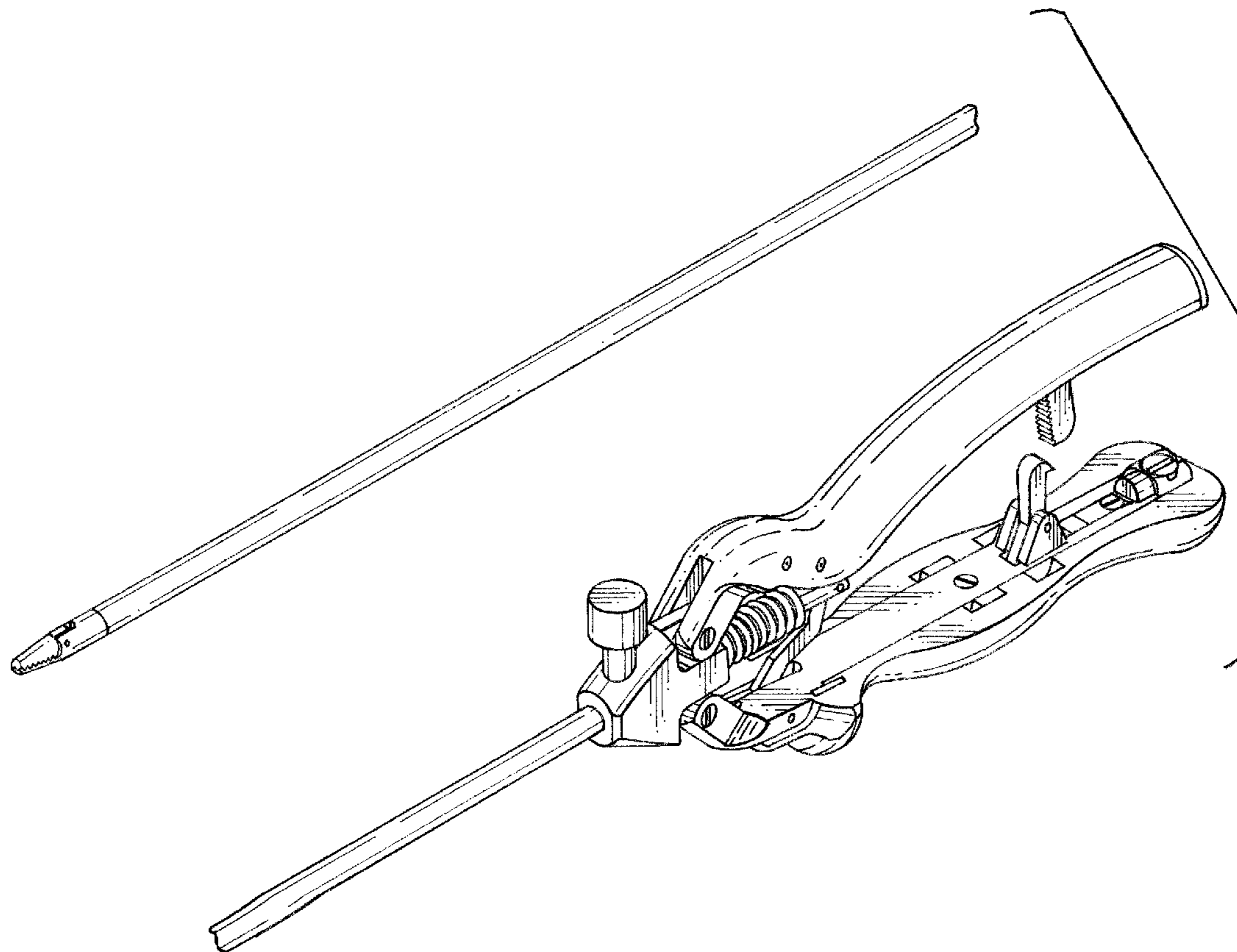
FIG. 4 is a top view thereof;

FIG. 5 is a bottom view thereof;

FIG. 6 is a front view thereof; and,

FIG. 7 is a rear view thereof.

**1 Claim, 6 Drawing Sheets**



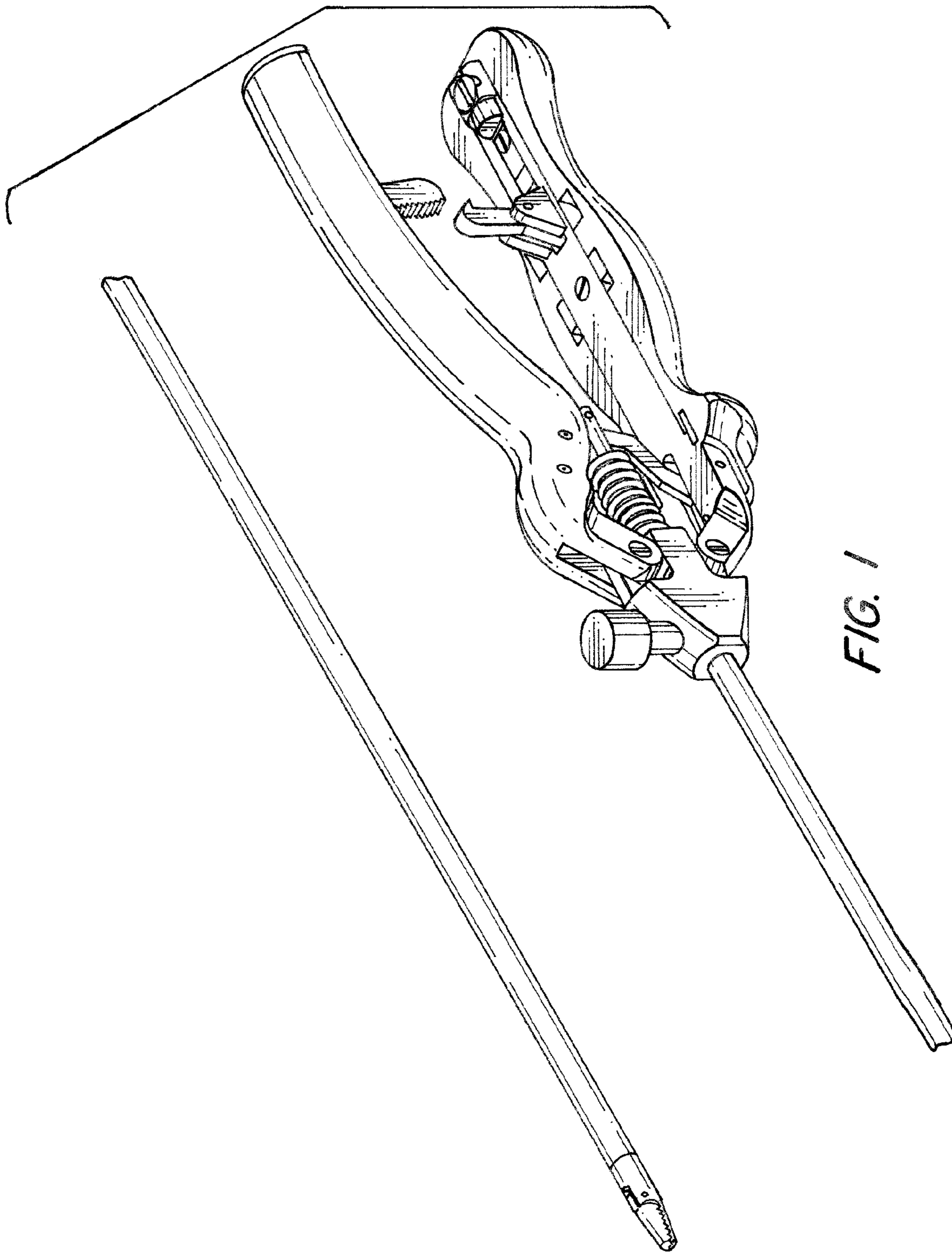


FIG. 1

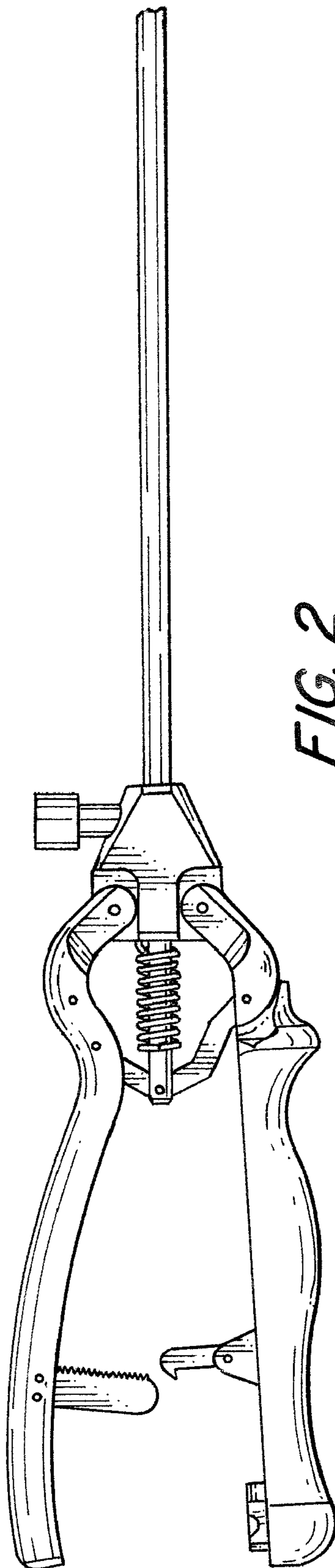
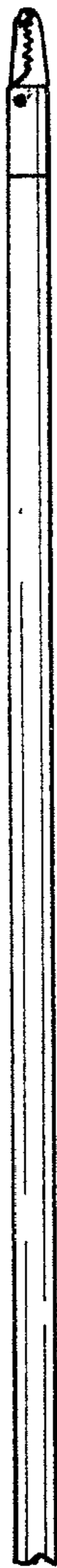


FIG. 2



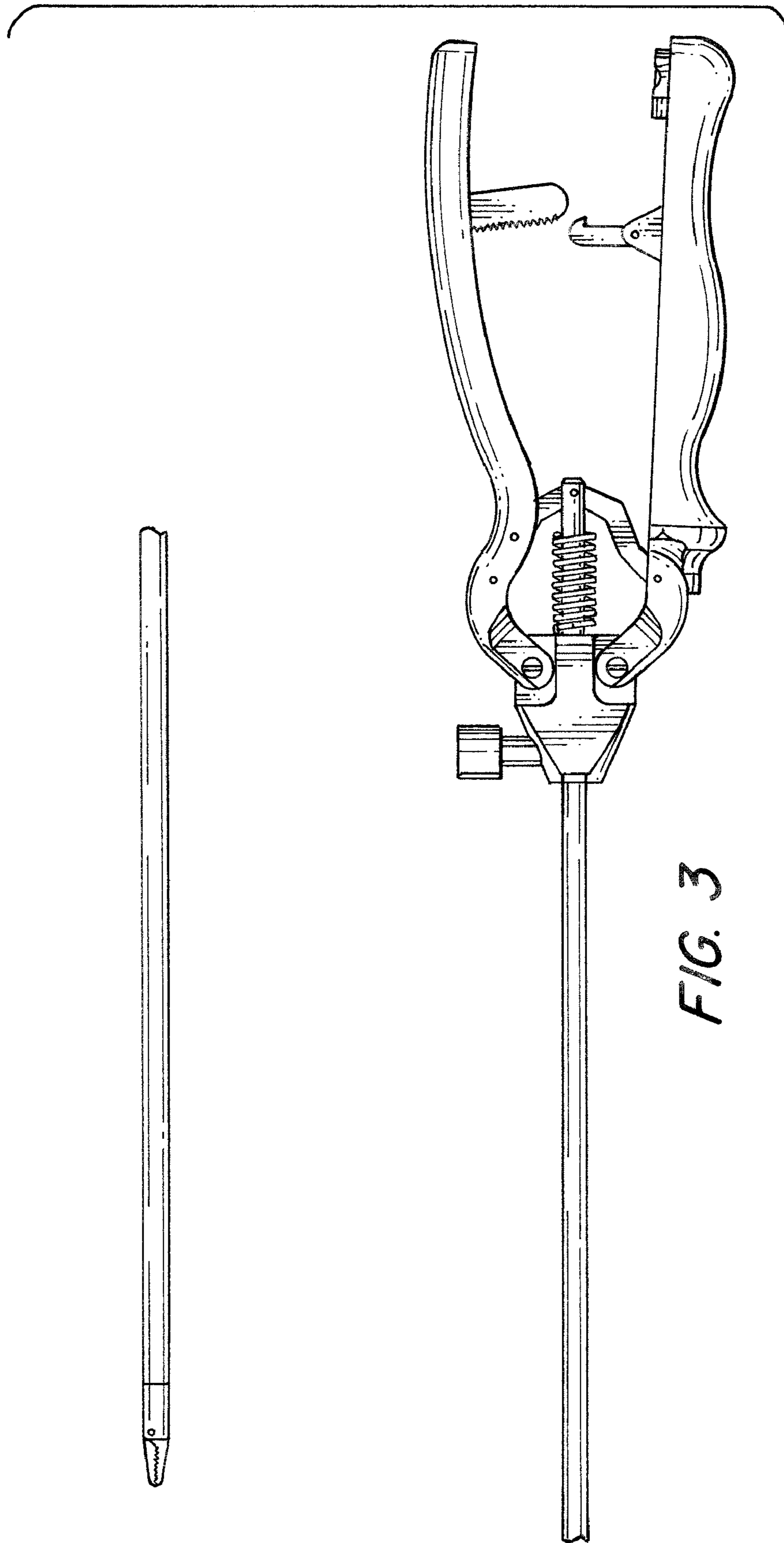


FIG. 3

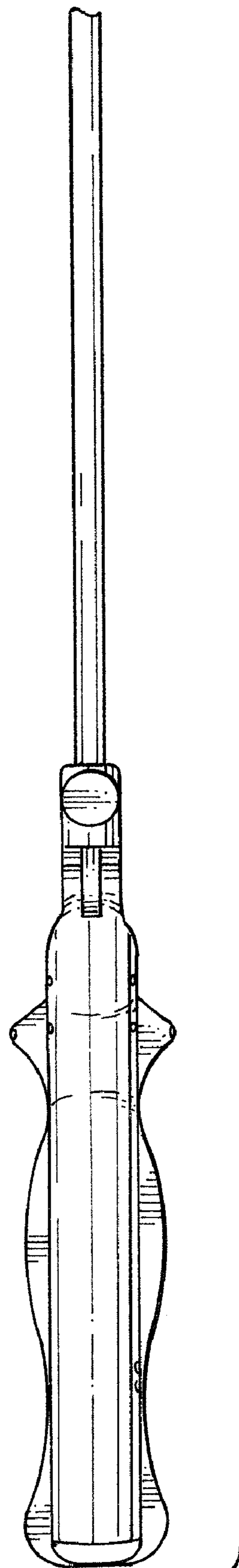


FIG. 4

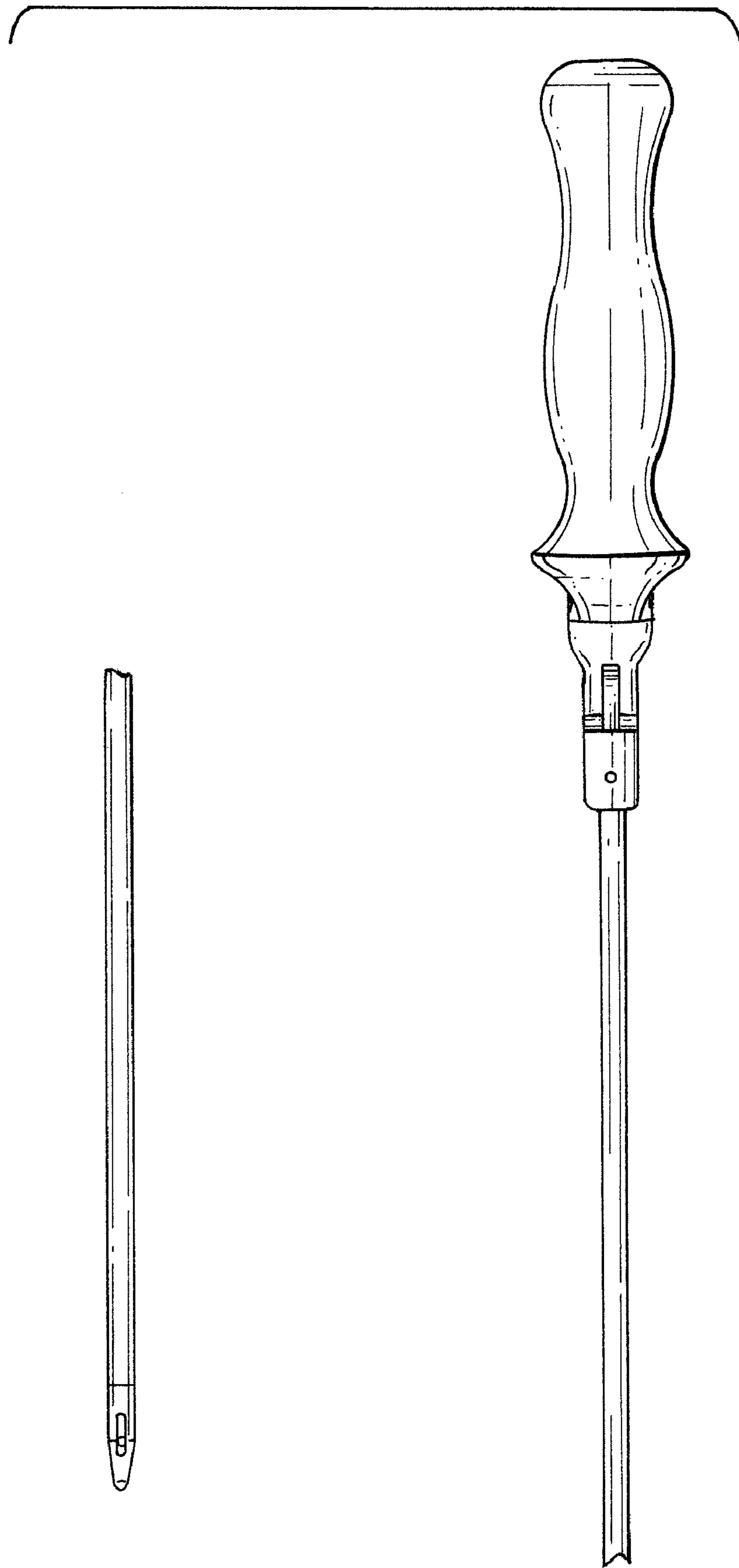
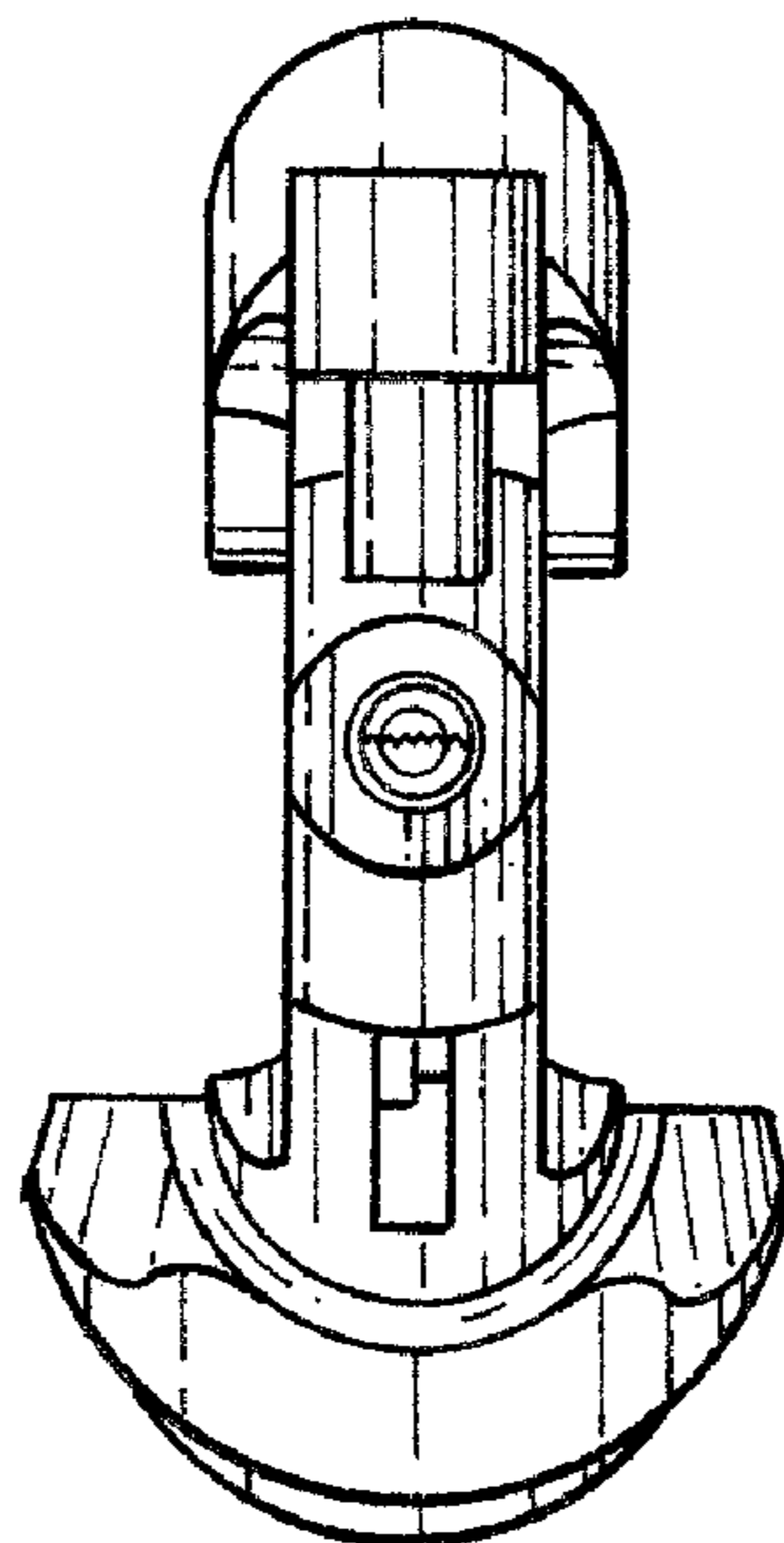
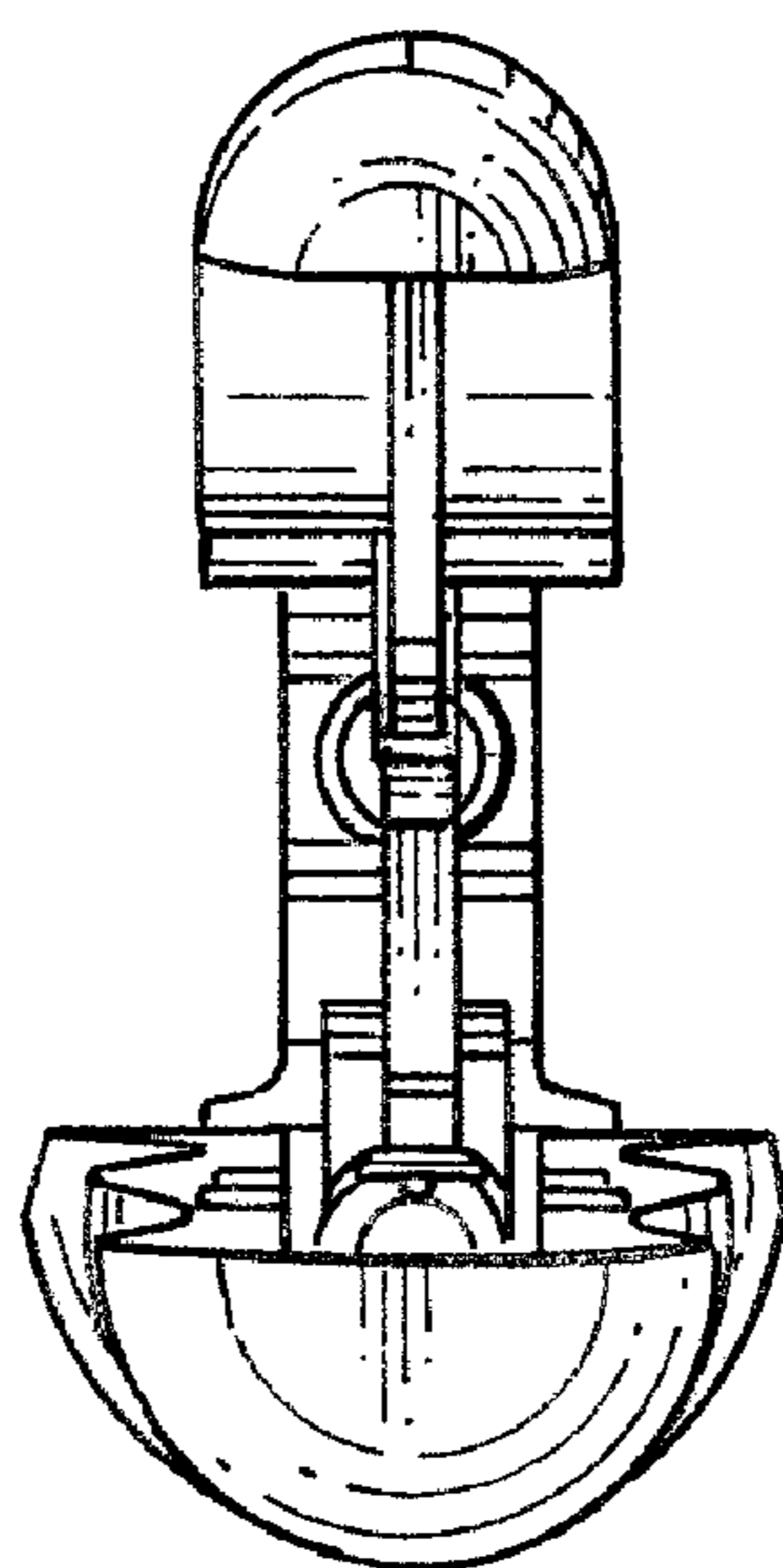


FIG. 5



*FIG. 6*



*FIG. 7*