

US00D571908S

(12) **United States Design Patent**
Myers

(10) **Patent No.:** **US D571,908 S**
(45) **Date of Patent:** **** Jun. 24, 2008**

(54) **INTEGRAL DUCTWORK TAKEOFF**
(75) Inventor: **James R. Myers**, Anoka, MN (US)
(73) Assignee: **Sheet Metal Connectors, Inc.**,
Minneapolis, MN (US)
(**) Term: **14 Years**
(21) Appl. No.: **29/288,950**

D476,074 S * 6/2003 Stout, Jr. D23/393
D501,547 S * 2/2005 Stout, Jr. D23/393
D528,646 S 9/2006 Stout, Jr. D23/393
D550,346 S * 9/2007 Ness D23/393
D554,749 S * 11/2007 Ness D23/393
2003/0233797 A1 12/2003 Anderson 52/218
2004/0255523 A1 * 12/2004 Bibaud et al. 52/58
2006/0105700 A1 5/2006 Hadlock, Jr. 454/270
2006/0199505 A1 9/2006 Fettkether 454/232

(22) Filed: **Jun. 27, 2007**

(51) **LOC (8) Cl.** **23-04**
(52) **U.S. Cl.** **D23/393**
(58) **Field of Classification Search** D23/393,
D23/373, 374, 387, 386, 394, 499, 262; 52/219,
52/199, 58, 19; 454/242, 250, 3, 5, 275,
454/12; 285/42-44, 236

See application file for complete search history.

(56) **References Cited**

U.S. PATENT DOCUMENTS

1,413,492 A 4/1922 Rees
1,493,224 A 5/1924 Alston, Jr.
1,608,180 A 11/1926 Nathanson et al.
1,771,176 A 7/1930 Holub
2,300,088 A * 10/1942 Artis 454/12
2,507,859 A 5/1950 Keller
2,963,783 A 12/1960 Field
3,524,246 A 8/1970 Hudson et al.
3,871,145 A * 3/1975 Hatmaker 52/219
D257,060 S 9/1980 Mann D23/163
D262,398 S * 12/1981 Syme D23/386
D268,282 S * 3/1983 Wichmann et al. D23/393
D280,126 S * 8/1985 Provan et al. D23/262
4,803,816 A * 2/1989 Klober 52/219
5,160,811 A * 11/1992 Ritzmann 285/236
5,472,241 A * 12/1995 Kosik et al. 285/43
5,933,954 A 8/1999 Lucente 29/890.14
6,176,013 B1 1/2001 Lucente 29/890.14

OTHER PUBLICATIONS

High Efficiency Takeoffs (H.E.T.O), 1 page, Sheet Metal Connectors, Inc. (publicly available prior to Jun. 27, 2006).

* cited by examiner

Primary Examiner—Louis S Zarfes

Assistant Examiner—David G Muller

(74) *Attorney, Agent, or Firm*—Westman, Champlin & Kelly, P.A.

(57) **CLAIM**

The ornamental design for an integral ductwork takeoff, as shown and described.

DESCRIPTION

FIG. 1 is a perspective view thereof;

FIG. 2 is a side view thereof as taken from the right side in FIG. 1;

FIG. 3 is a side view thereof as taken from the left side in FIG. 1;

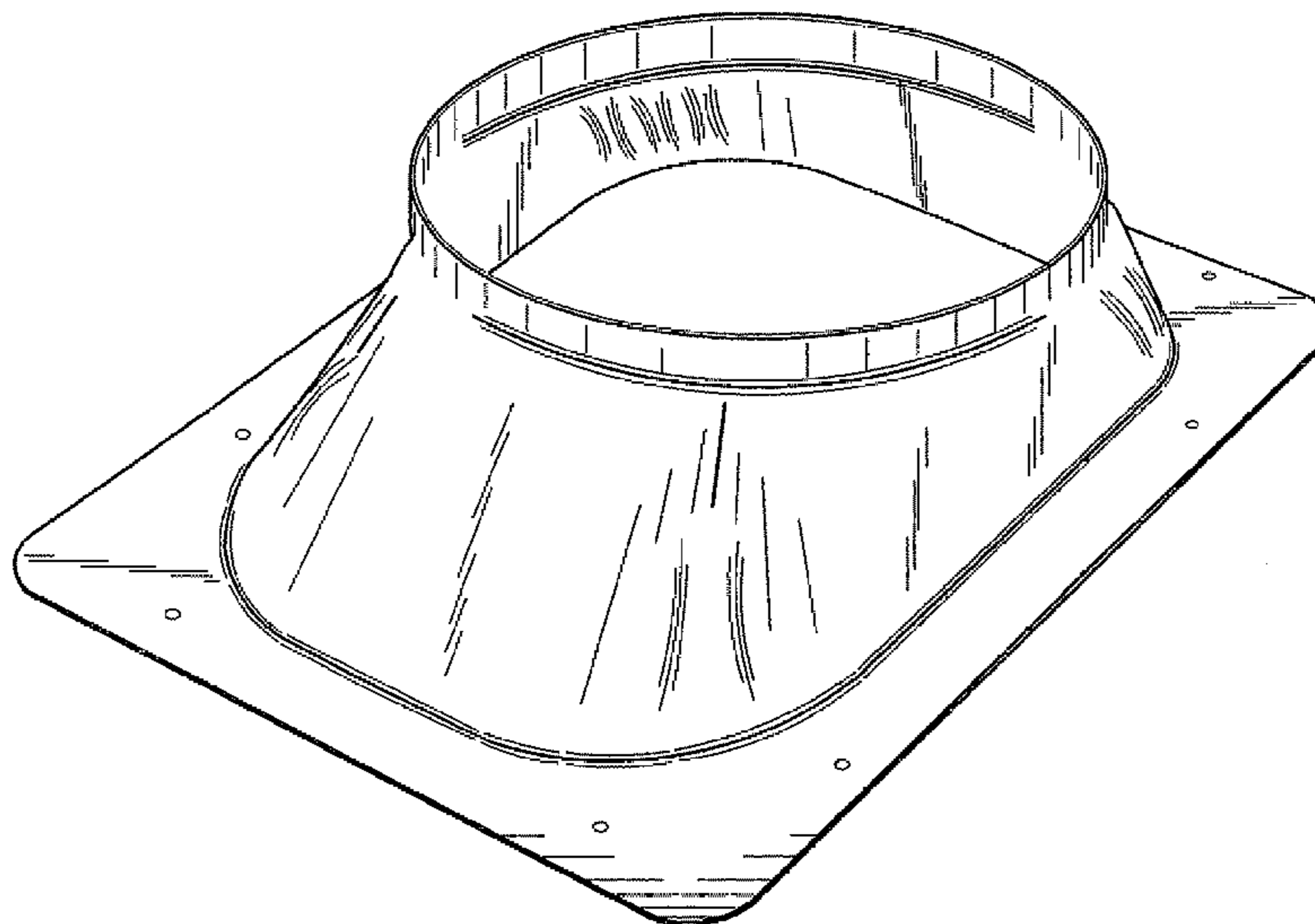
FIG. 4 is a rear view thereof as taken from the right side of FIG. 2;

FIG. 5 is a front end view thereof as taken from the left side in FIG. 2;

FIG. 6 is a top view thereof; and,

FIG. 7 is a bottom view thereof.

1 Claim, 5 Drawing Sheets



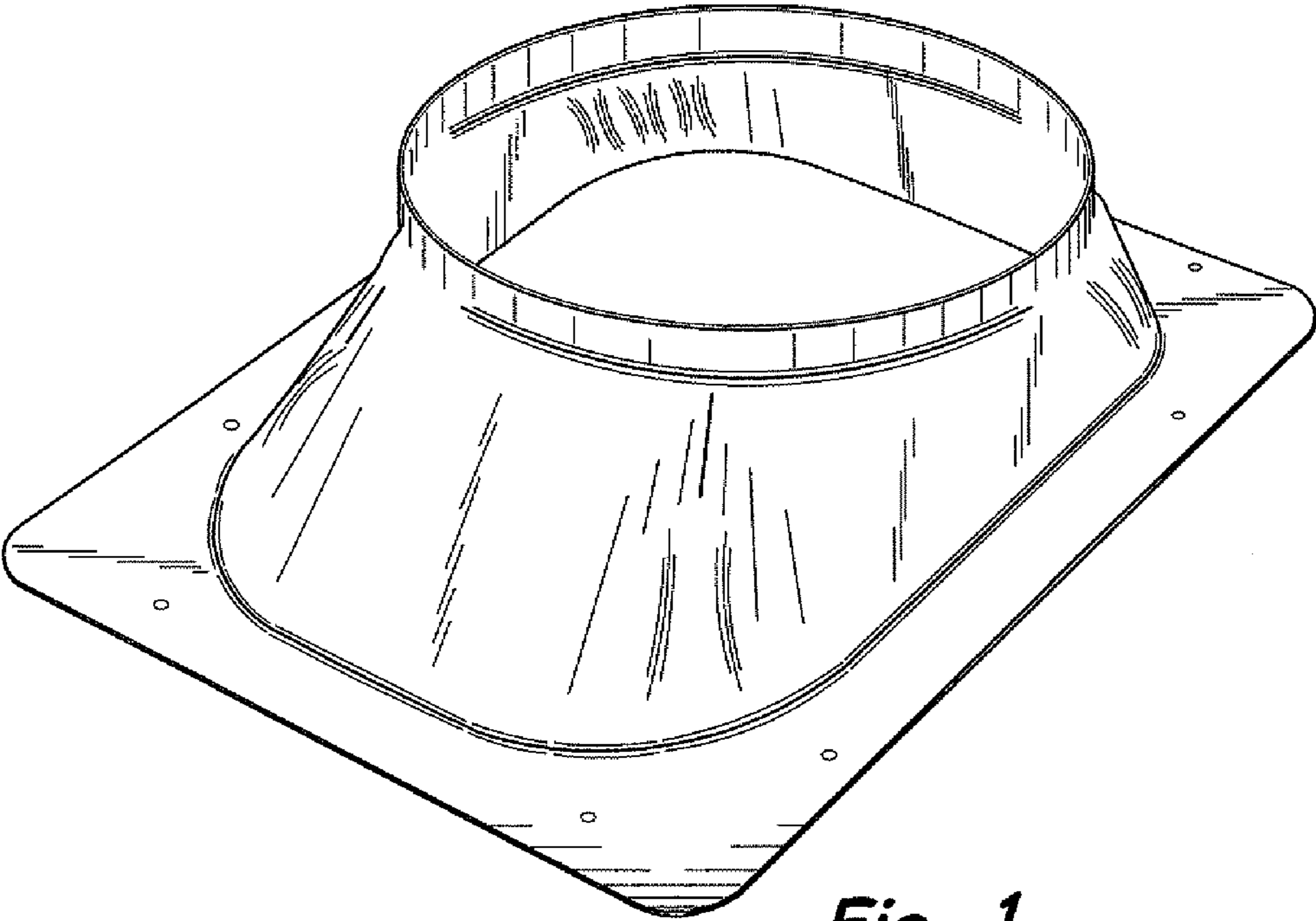


Fig. 1

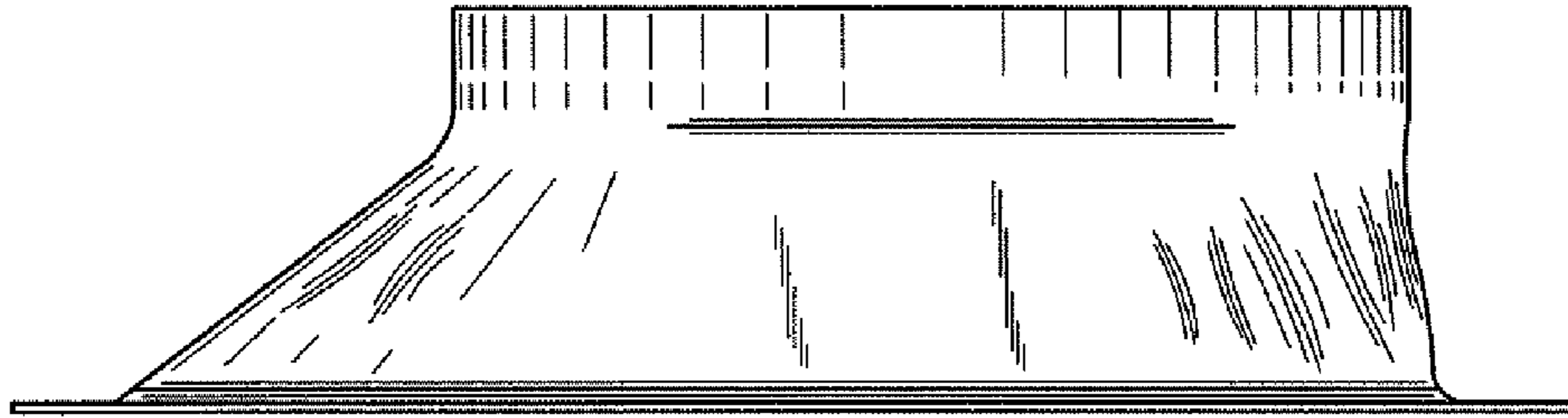


Fig. 2

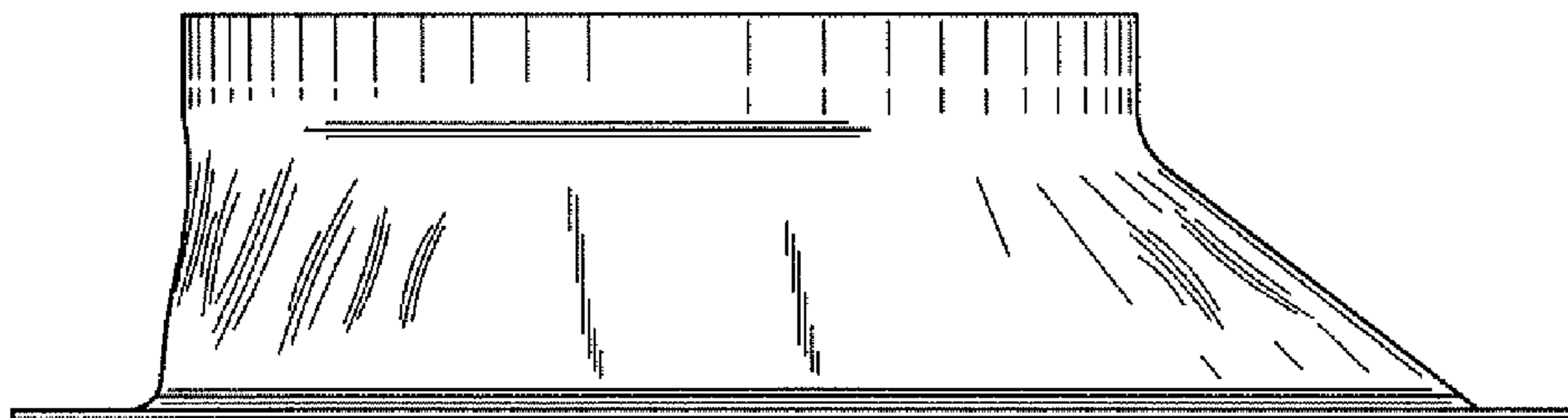


Fig. 3

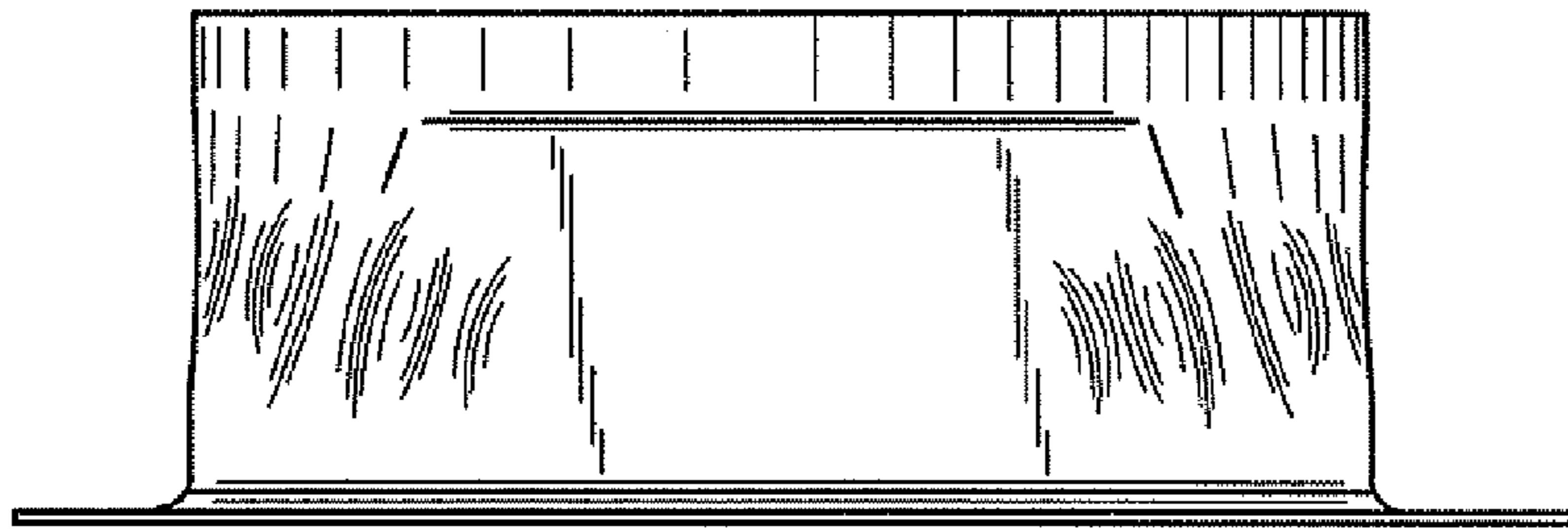


Fig. 4

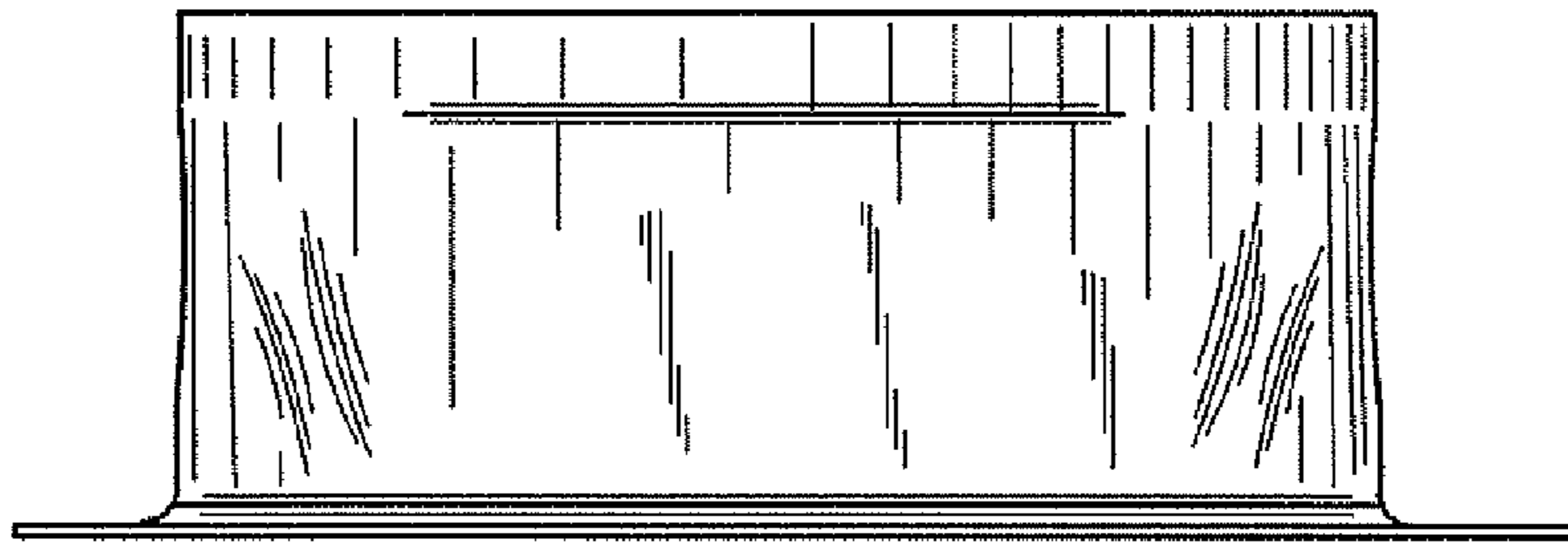


Fig. 5

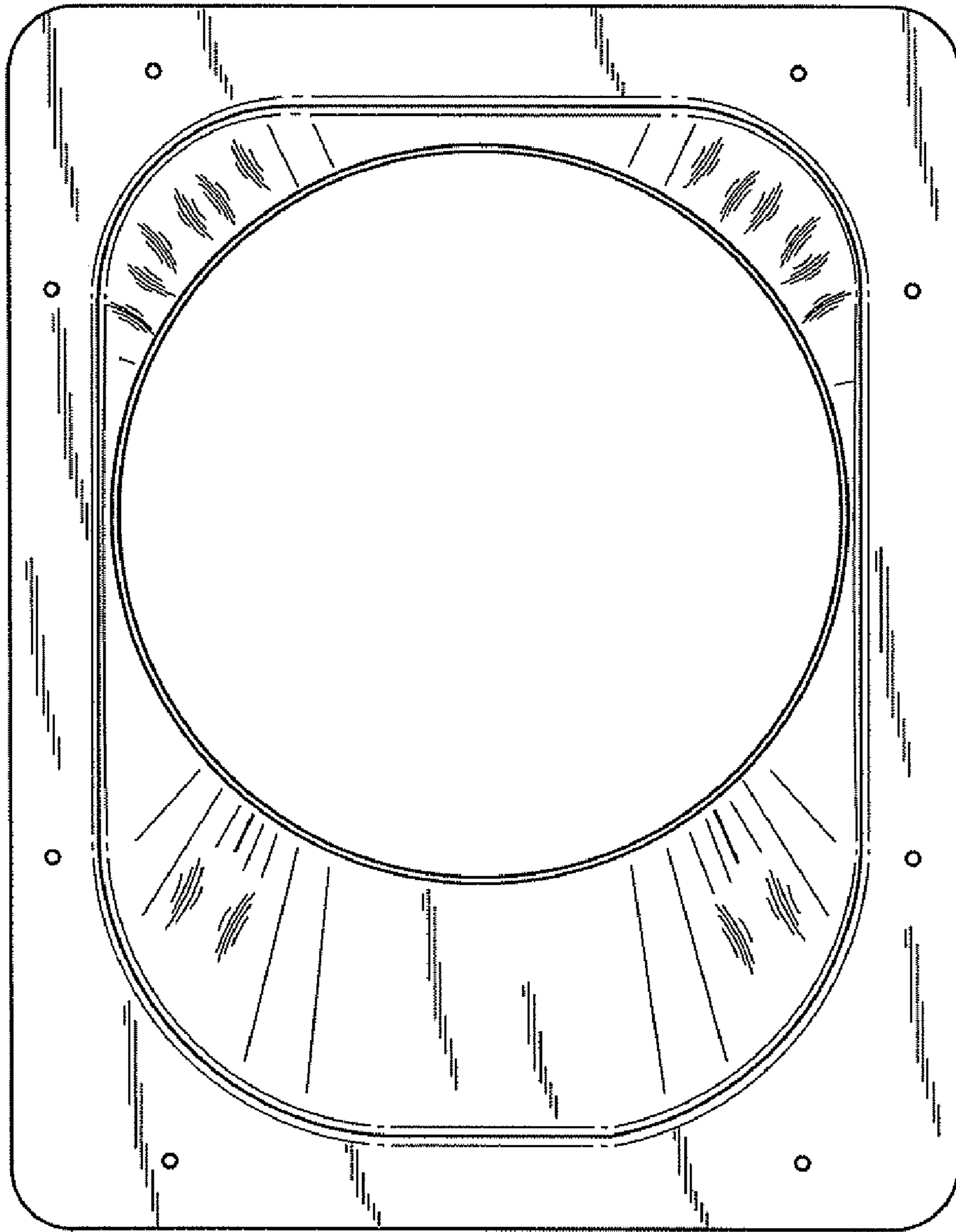


Fig. 6

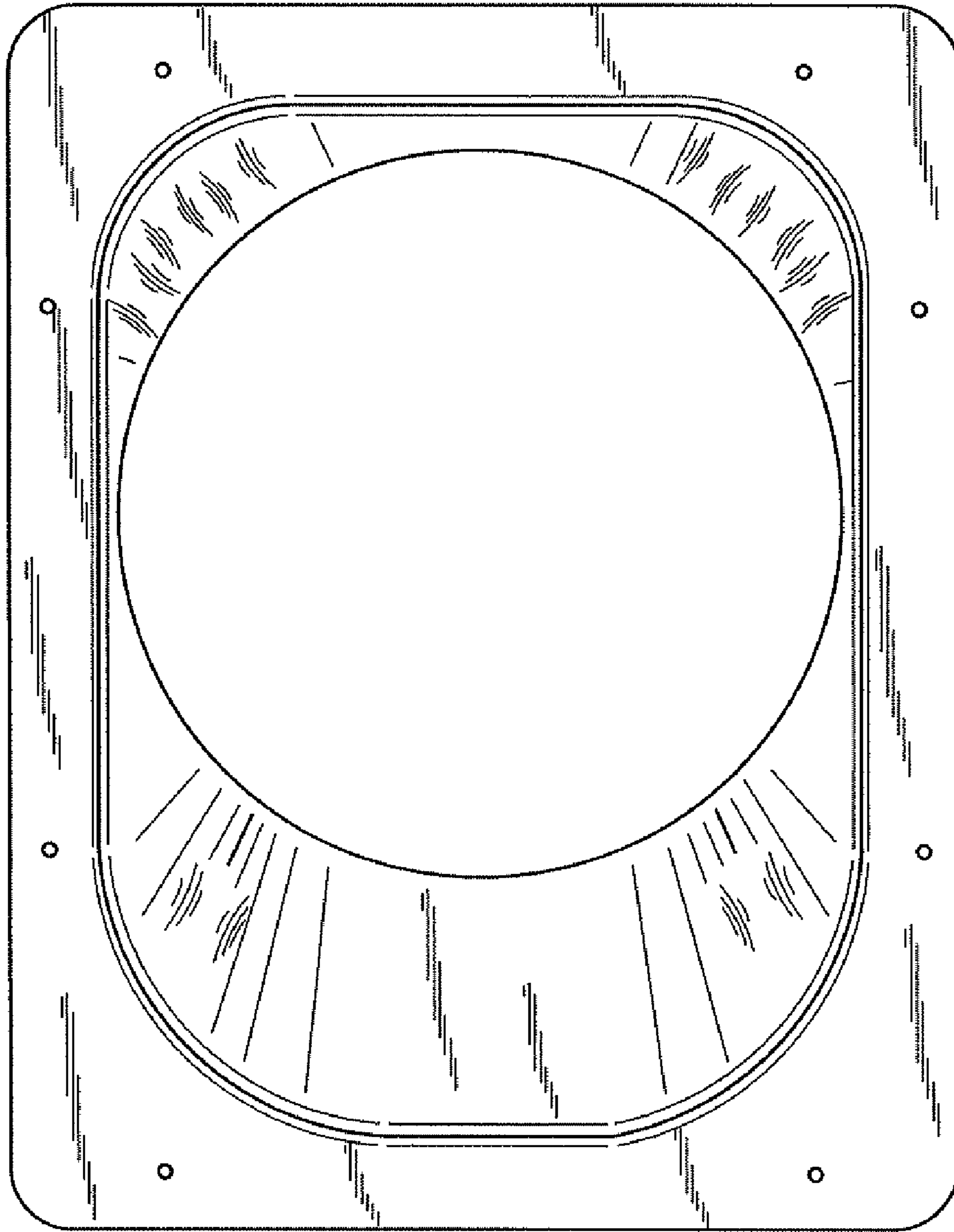


Fig. 7