



US00D571907S

(12) **United States Design Patent**  
**Choi**

(10) **Patent No.:** **US D571,907 S**  
(45) **Date of Patent:** **\*\* Jun. 24, 2008**

(54) **AIR CONDITIONER**

(75) Inventor: **Hyoung Sub Choi**, Seoul (KR)

(73) Assignee: **Samsung Electronics Co., Ltd.**, Suwon (KR)

(\*\*) Term: **14 Years**

(21) Appl. No.: **29/291,704**

(22) Filed: **Sep. 11, 2007**

(51) **LOC (8) Cl.** ..... **23-03**

(52) **U.S. Cl.** ..... **D23/351**

(58) **Field of Classification Search** ..... D23/351-354;  
312/236; 62/259.1, 259.4, 262-263, 304;  
454/330-331, 349-350

See application file for complete search history.

(56) **References Cited**

**U.S. PATENT DOCUMENTS**

D368,305 S *	3/1996	Shigenari et al. ....	D23/351
D417,910 S *	12/1999	Nonaka .....	D23/351
D420,116 S *	2/2000	Kobayashi .....	D23/351
D426,626 S *	6/2000	Nonaka .....	D23/351
D439,317 S *	3/2001	Kobayashi .....	D23/351
D446,292 S *	8/2001	Asakura et al. ....	D23/351
D448,073 S *	9/2001	Wakasa .....	D23/351
D449,095 S *	10/2001	Yanagida et al. ....	D23/351

D450,823 S *	11/2001	Kobayashi .....	D23/351
D451,586 S *	12/2001	Oya et al. ....	D23/351
D454,188 S *	3/2002	Nonaka .....	D23/351
D465,016 S *	10/2002	Nanjo et al. ....	D23/351
D487,142 S *	2/2004	Yoo .....	D23/351

\* cited by examiner

*Primary Examiner*—Brian N Vinson

(74) *Attorney, Agent, or Firm*—Ladas and Parry LLP

(57) **CLAIM**

I claim the ornamental design for air conditioner, as shown.

**DESCRIPTION**

FIG. 1 is a front/right-side/top perspective view of a air conditioner showing our new design;

FIG. 2 is a front-side elevational view thereof;

FIG. 3 is a rear-side elevational view thereof;

FIG. 4 is a left-side elevational view thereof;

FIG. 5 is a right-side elevational view thereof;

FIG. 6 is a top-side elevational view thereof;

FIG. 7 is a bottom-side elevational view thereof; and,

FIG. 8 is a front/right-side/top perspective view which shows the outlet of the air conditioner in the bottom is opened.

**1 Claim, 4 Drawing Sheets**

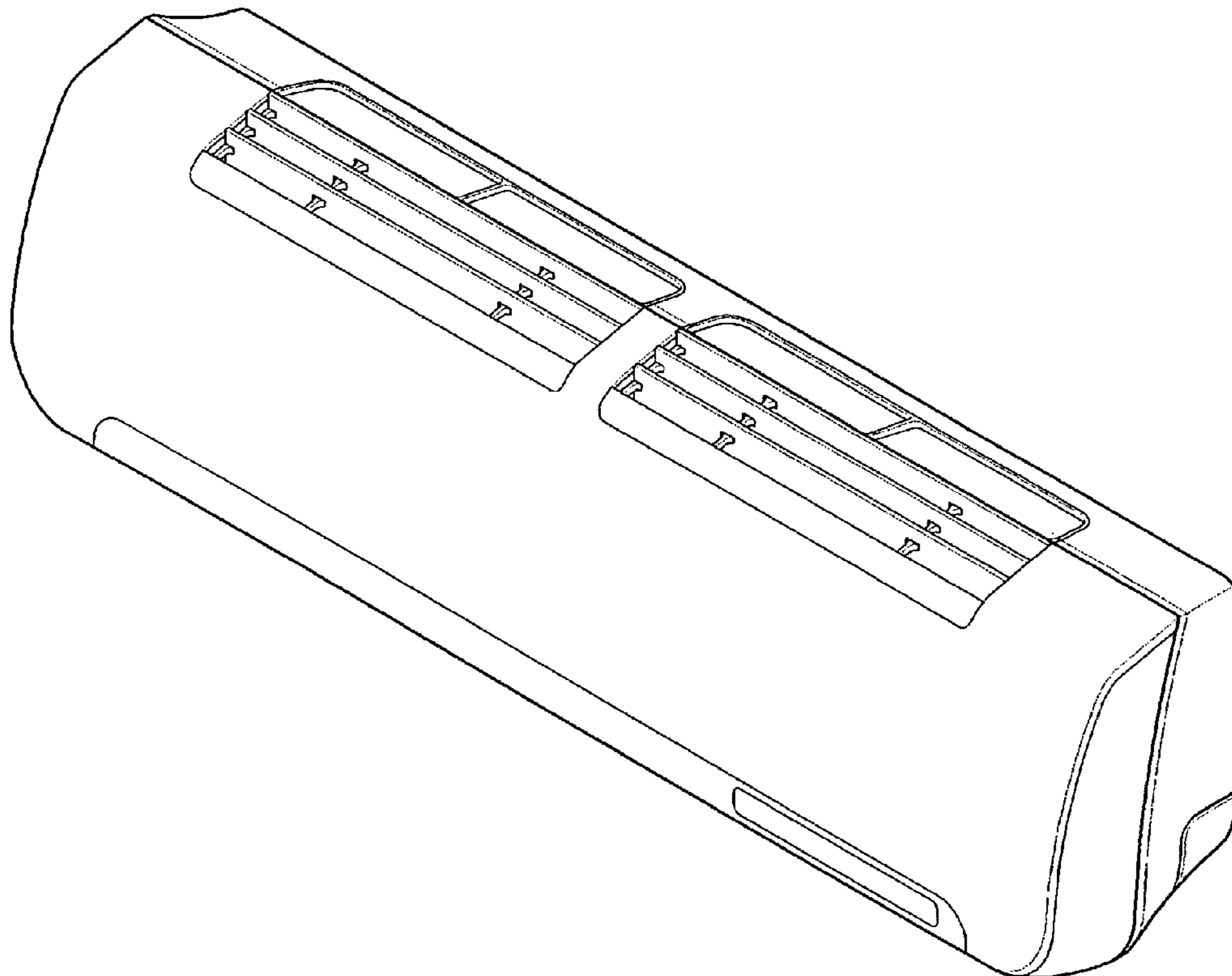


FIG. 1

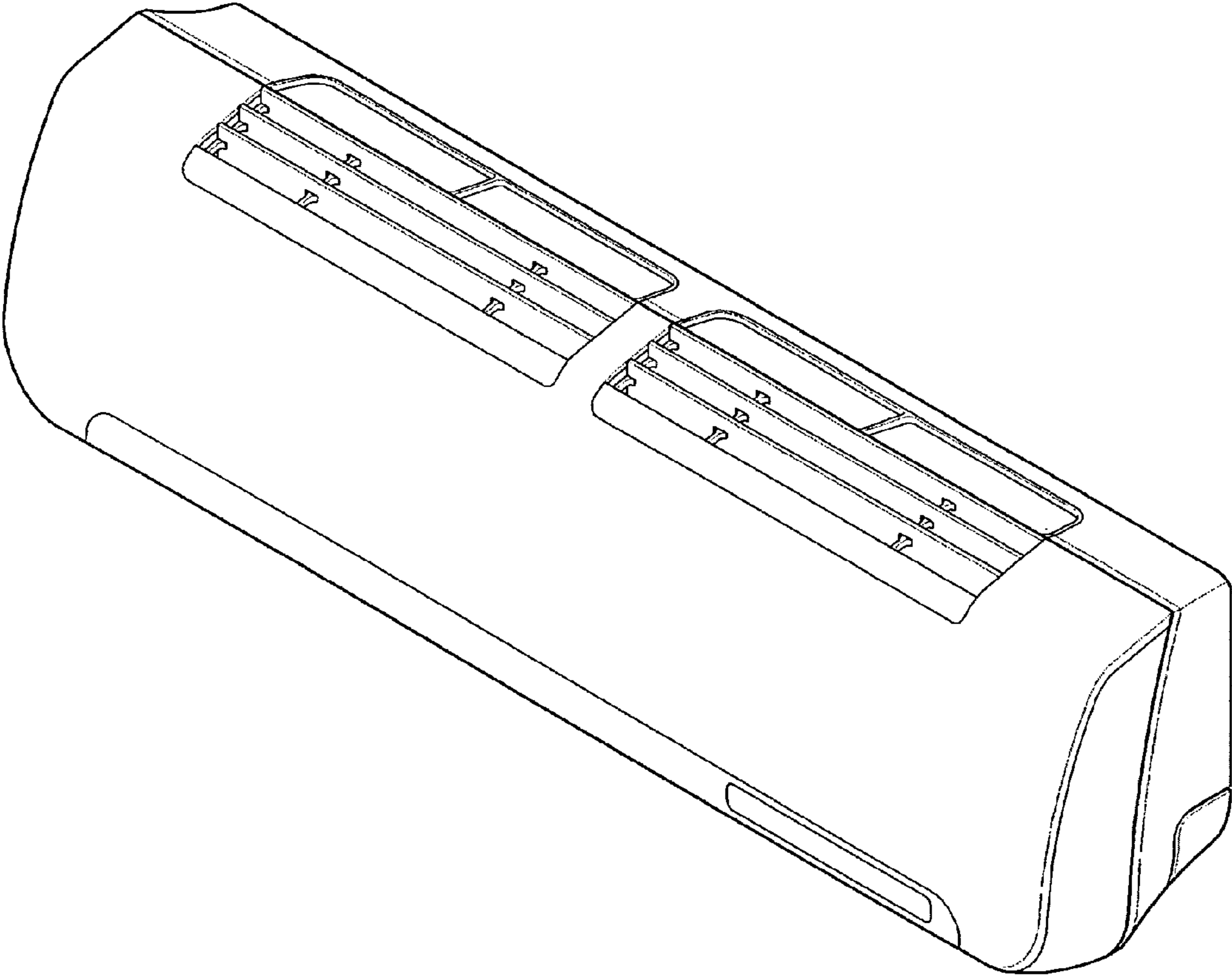


FIG. 2

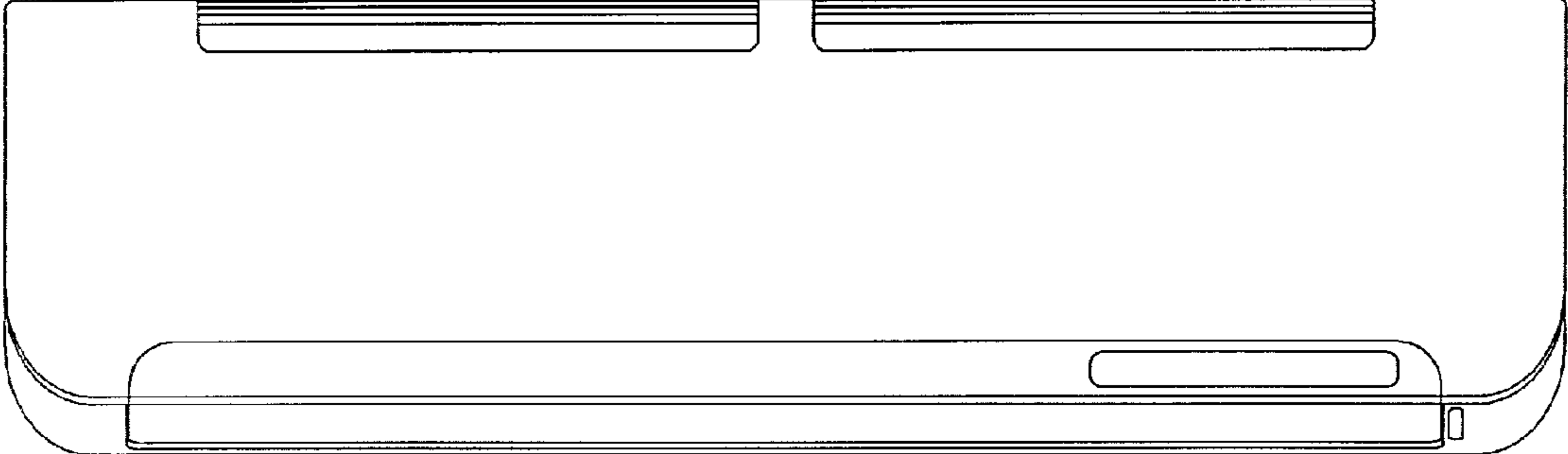


FIG. 3

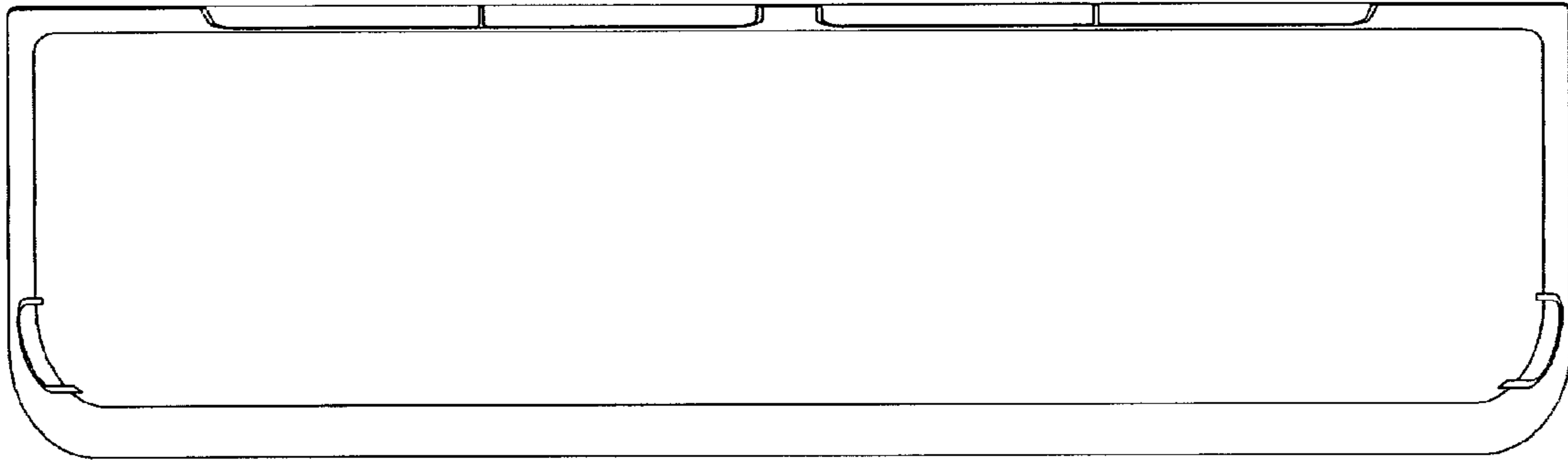


FIG. 4

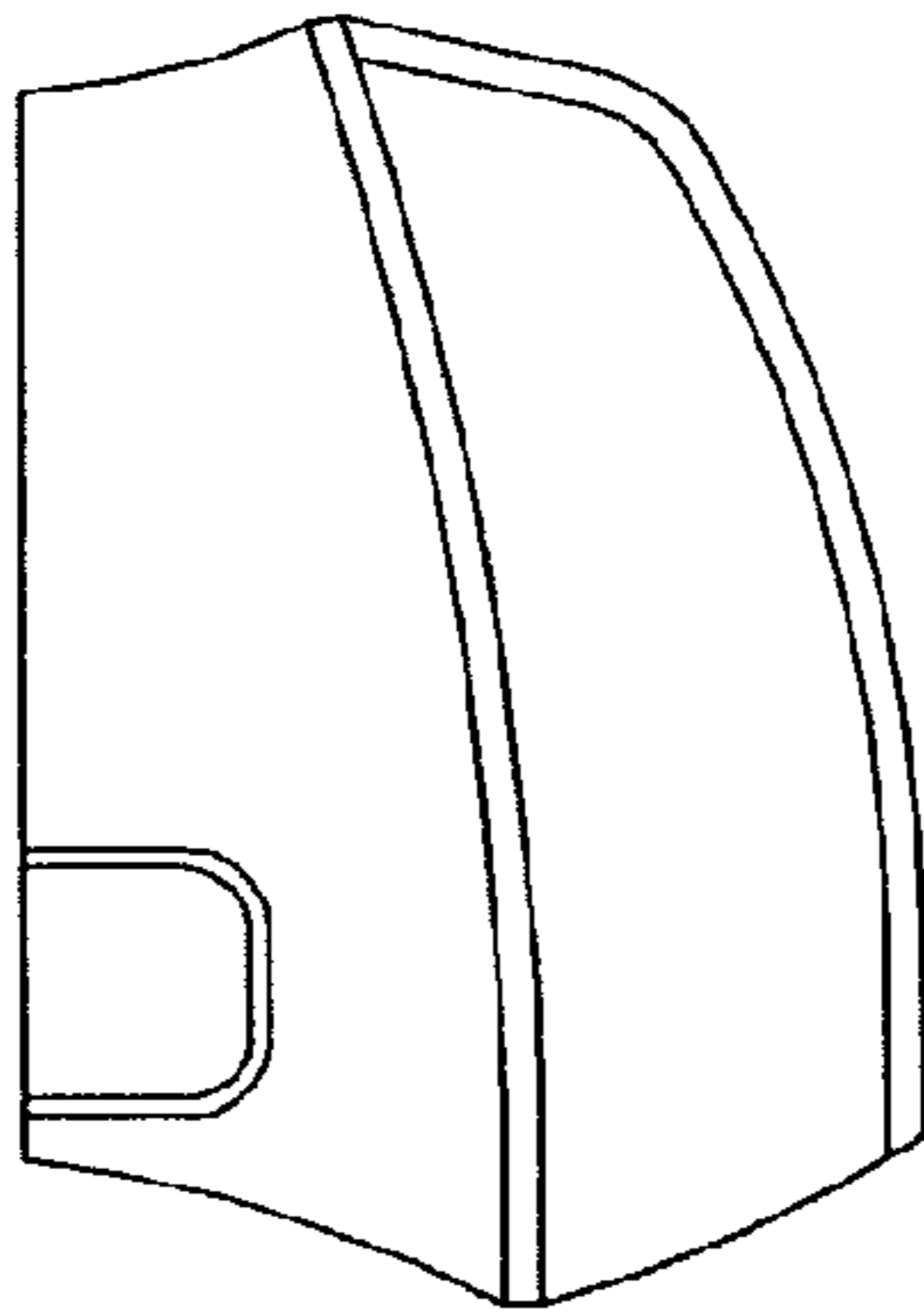


FIG. 5

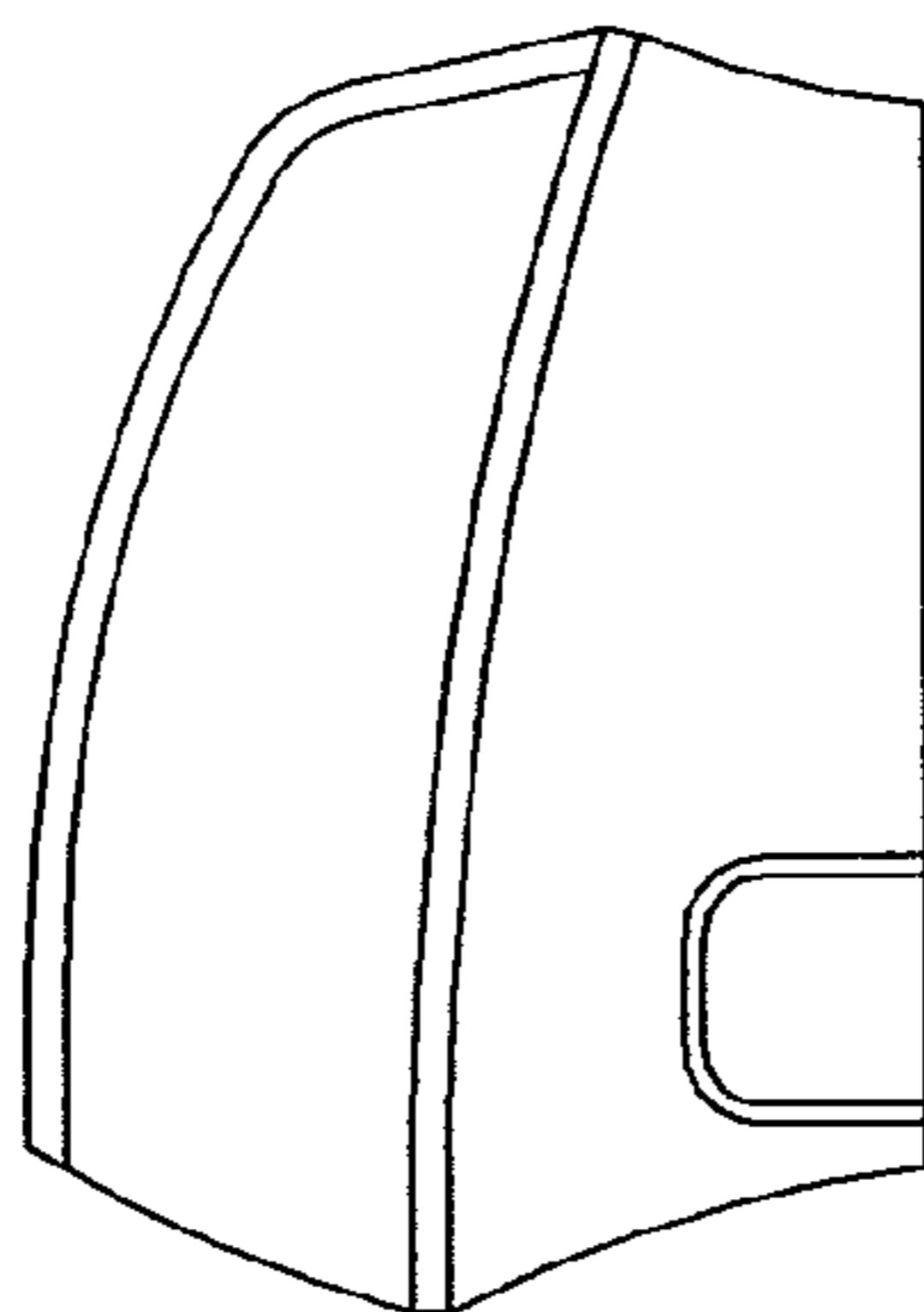


FIG. 6

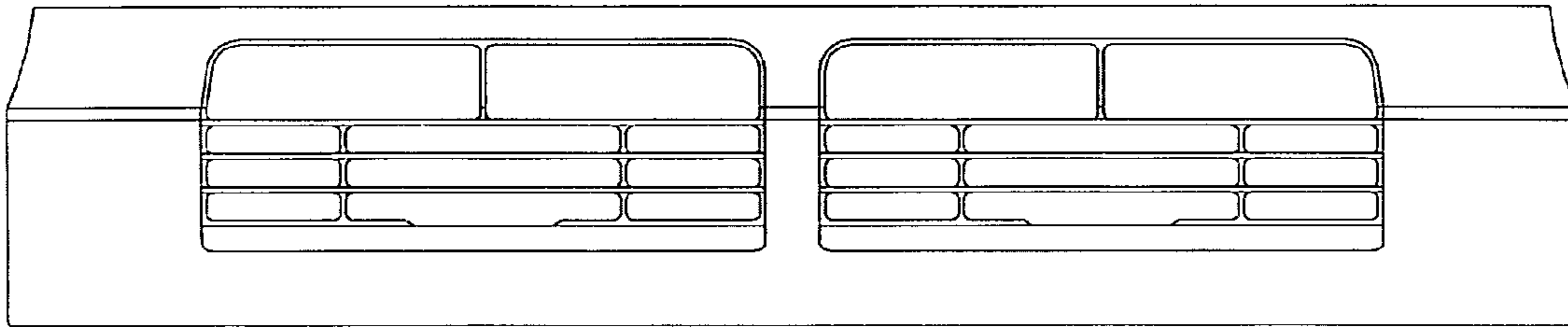


FIG. 7

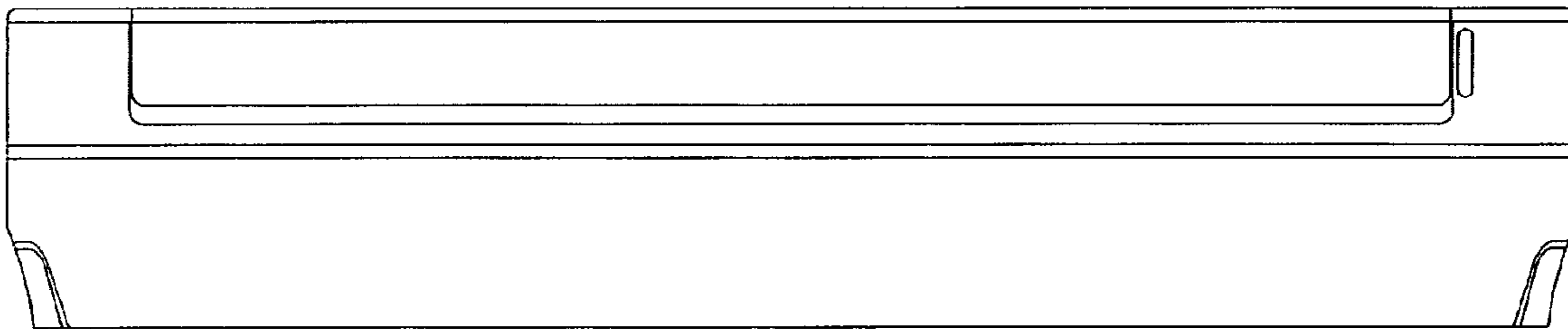


FIG. 8

