



US00D571905S

(12) **United States Design Patent**  
**Melios**

(10) **Patent No.:** **US D571,905 S**  
(45) **Date of Patent:** **\*\* Jun. 24, 2008**

(54) **COMBINED SOLAR PANEL AND HOT WATER HEATER**

(76) Inventor: **Constantin Melios**, 8695 - 116th Street, North Delta, BC (CA) V4C 5W2

(\*\*) Term: **14 Years**

(21) Appl. No.: **29/266,062**

(22) Filed: **Sep. 14, 2006**

(51) **LOC (8) Cl.** ..... **23-03**

(52) **U.S. Cl.** ..... **D23/318**

(58) **Field of Classification Search** ..... D23/318, D23/386, 314; D13/102; 126/640, 623

See application file for complete search history.

(56) **References Cited**

U.S. PATENT DOCUMENTS

1,889,238	A *	11/1932	Clark	126/639
4,452,231	A *	6/1984	El-Shayeb	126/584
4,505,261	A *	3/1985	Hunter	126/635
4,517,959	A *	5/1985	Riley	126/640
D288,956	S *	3/1987	Wadleigh	D13/102
4,685,445	A *	8/1987	Seidel	126/639
4,832,001	A *	5/1989	Baer	126/579
D312,069	S *	11/1990	Williamson et al.	D13/102
4,979,493	A *	12/1990	Seidel	126/593
D362,056	S *	9/1995	Grandinetti	D23/318
D425,013	S *	5/2000	Lai	D13/102
6,800,801	B2 *	10/2004	Sasaoka et al.	136/246
6,968,654	B2 *	11/2005	Moulder et al.	52/173.3

OTHER PUBLICATIONS

Ministry of commerce of the P.R. China. Solar water heater [online],[retrieved on Aug. 15, 2007] Retrieved from the internet

[http://ccne.mofcom.gov.cn/mycnn/read/picture.php?p=http://pic.ccn.mofcom.goc.cn/ccne/9201/207714\\_1.jpg](http://ccne.mofcom.gov.cn/mycnn/read/picture.php?p=http://pic.ccn.mofcom.goc.cn/ccne/9201/207714_1.jpg).  
Changjia Solar Energy Co., Ltd [online], [retrieved on Aug. 15, 2007] Retrieved from the internet archives <http://web.archive.org/web/20051228124238/www.changjiasolar.com/english/index.htm>.  
Changjia Solar Energy Co., Ltd [online], [retrieved on Aug. 15, 2007] Retrieved from the internet [http://www.changjiasolar.com/english/solarheating/image/Solar\\_Water\\_Heater\\_Co.](http://www.changjiasolar.com/english/solarheating/image/Solar_Water_Heater_Co.)

\* cited by examiner

*Primary Examiner*—Robert M. Spear  
*Assistant Examiner*—Anna K Dworzecka

(74) *Attorney, Agent, or Firm*—Fasken Martineau DuMoulin LLP

(57) **CLAIM**

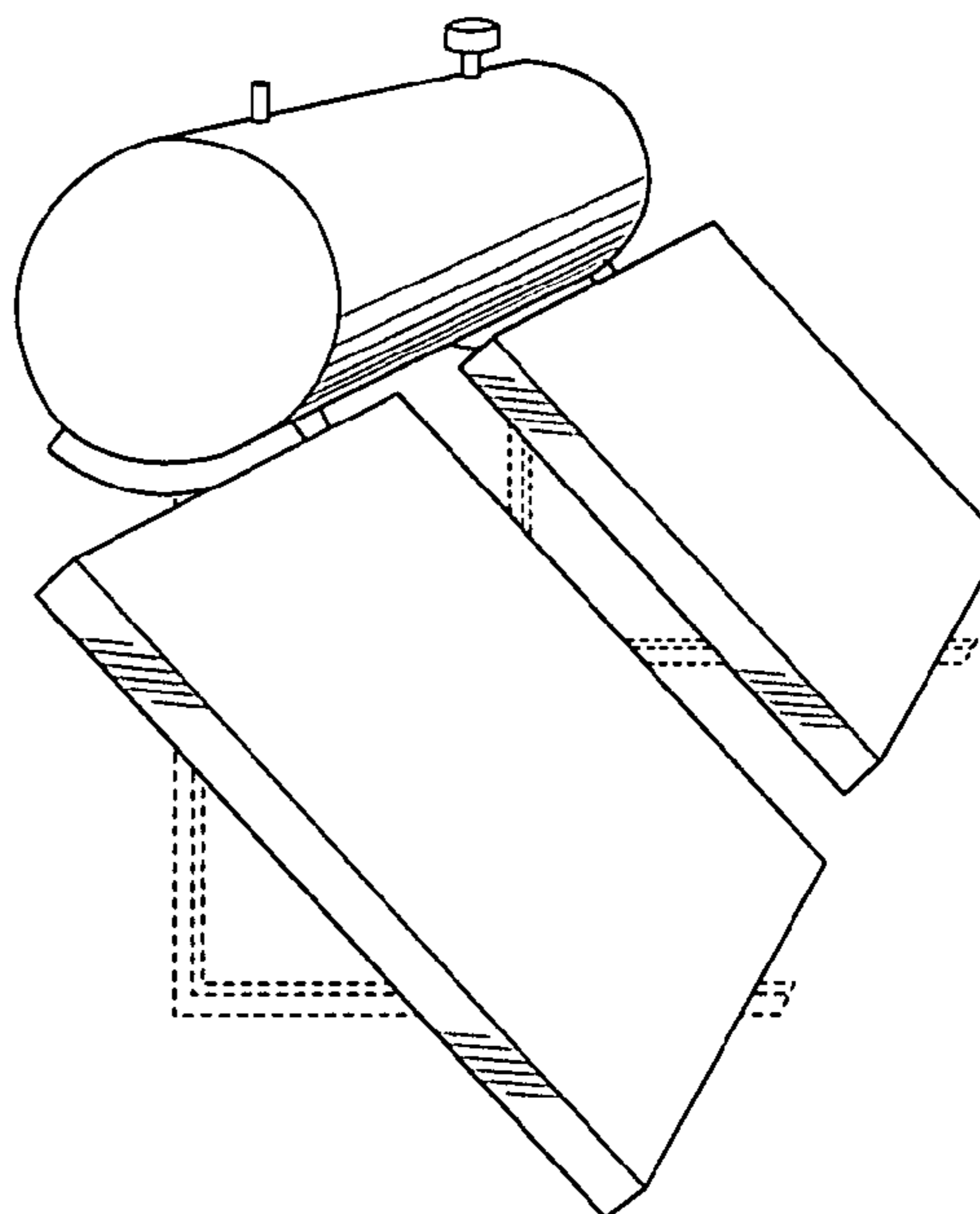
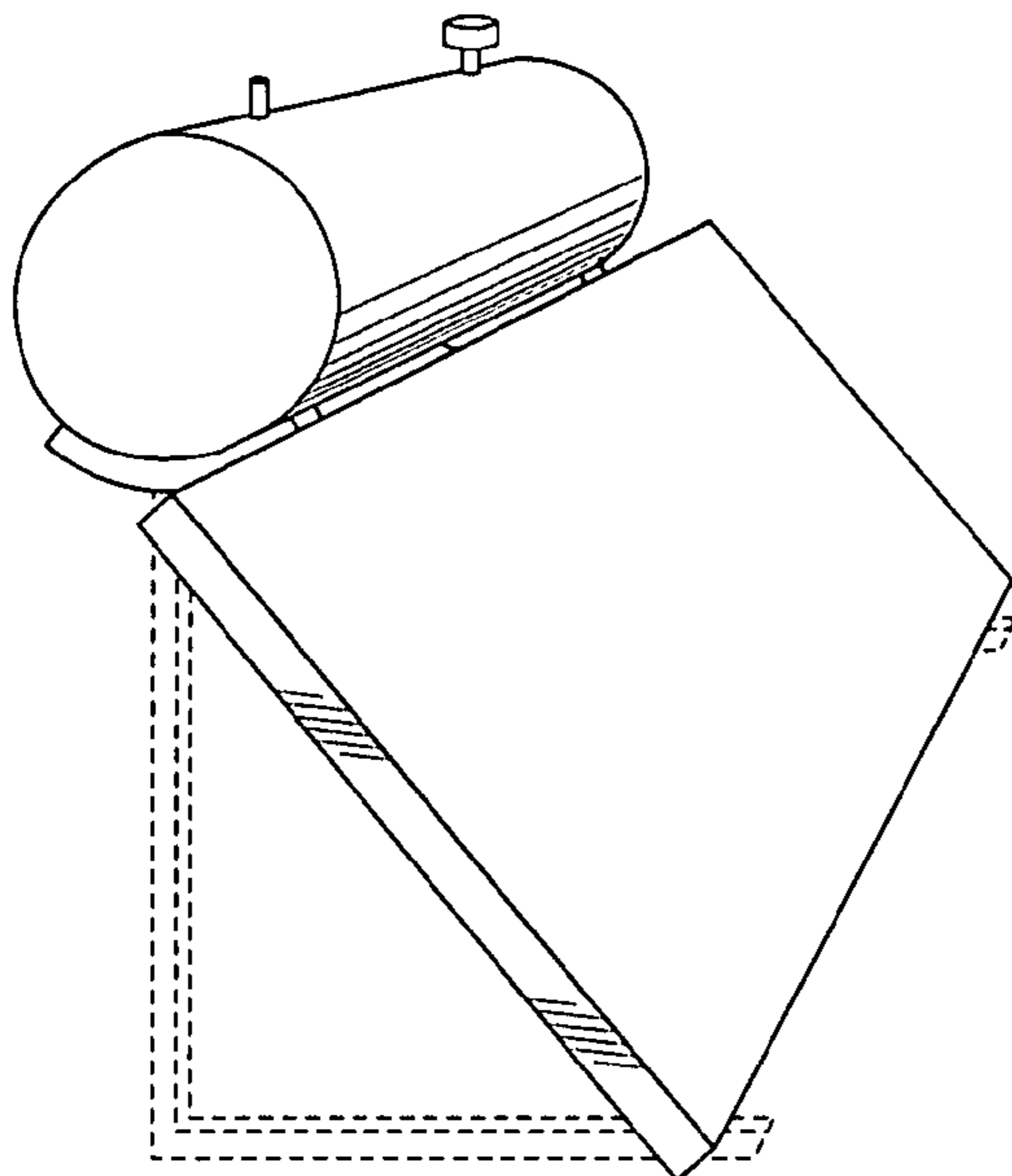
The ornamental design for a combined solar panel and hot water heater, as shown.

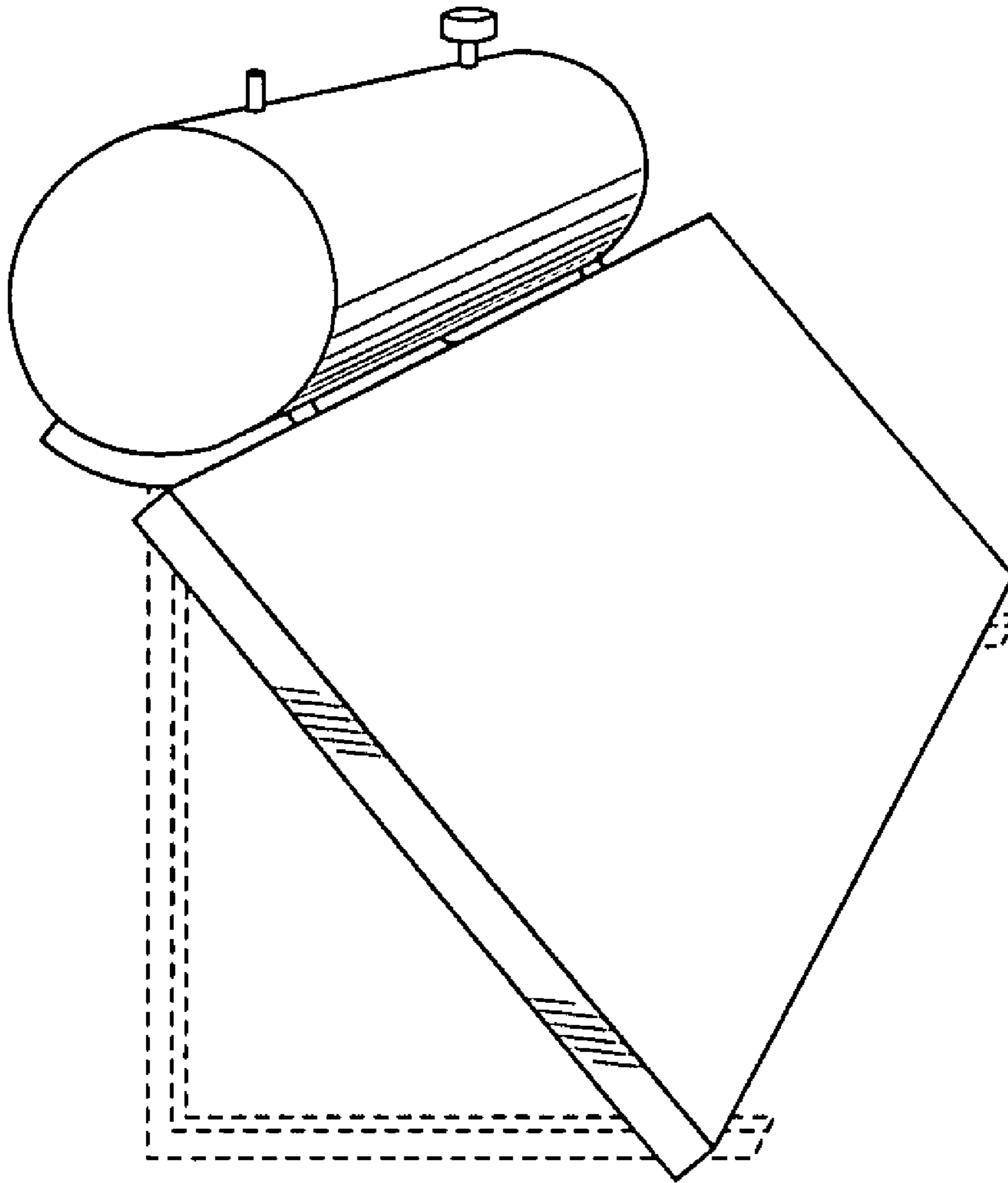
**DESCRIPTION**

FIG. 1 is a perspective view of a combined solar panel and hot water heater showing my new design;  
FIG. 2 is a top perspective view thereof;  
FIG. 3 is a front perspective view thereof;  
FIG. 4 is a side view thereof;  
FIG. 5 is a perspective view of an alternate embodiment thereof;  
FIG. 6 is a top perspective view thereof;  
FIG. 7 is a front perspective view thereof; and,  
FIG. 8 is a side view thereof.

The broken lines depict unclaimed environmental subject matter.

**1 Claim, 4 Drawing Sheets**





**Figure 1**

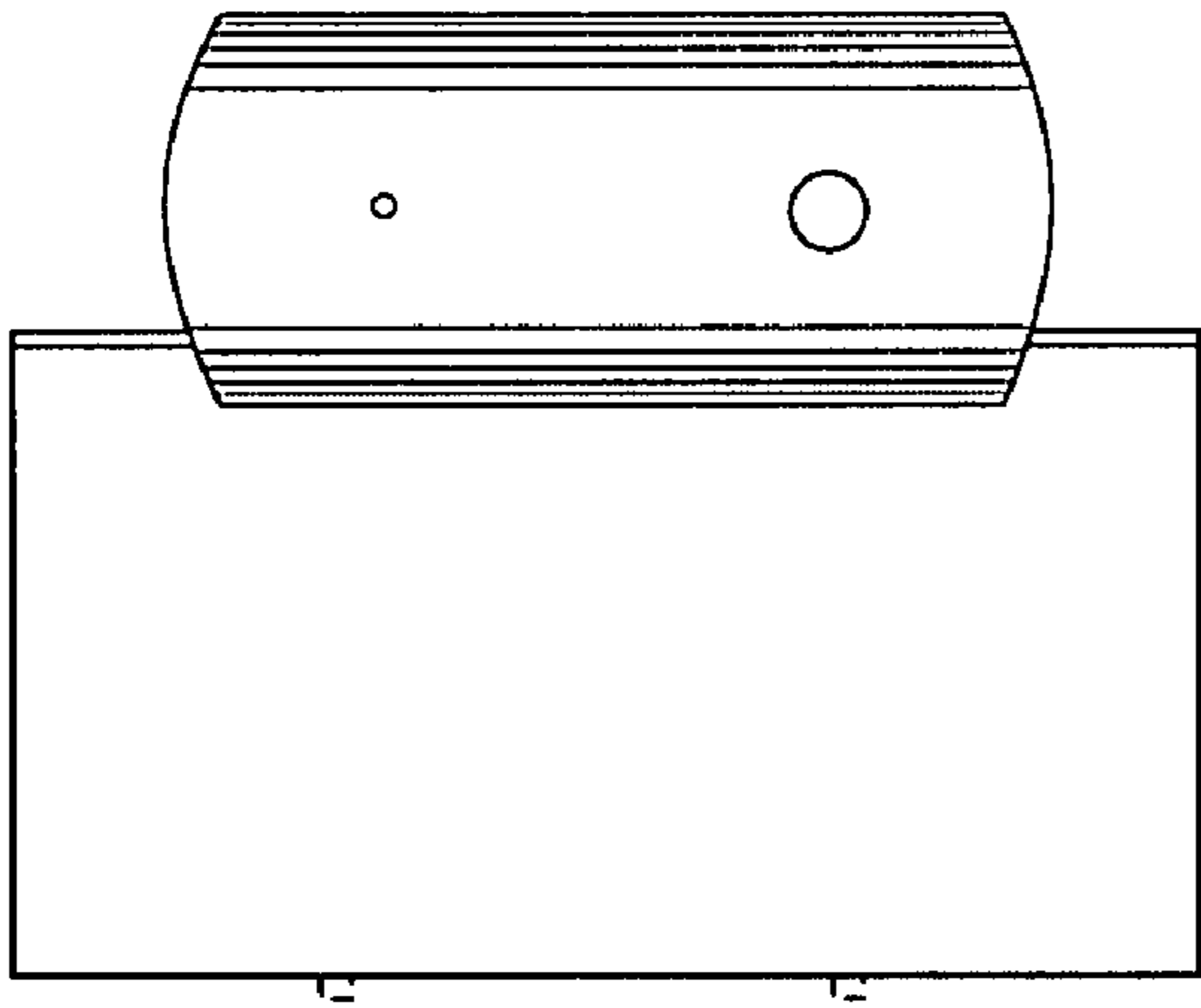


Figure 2

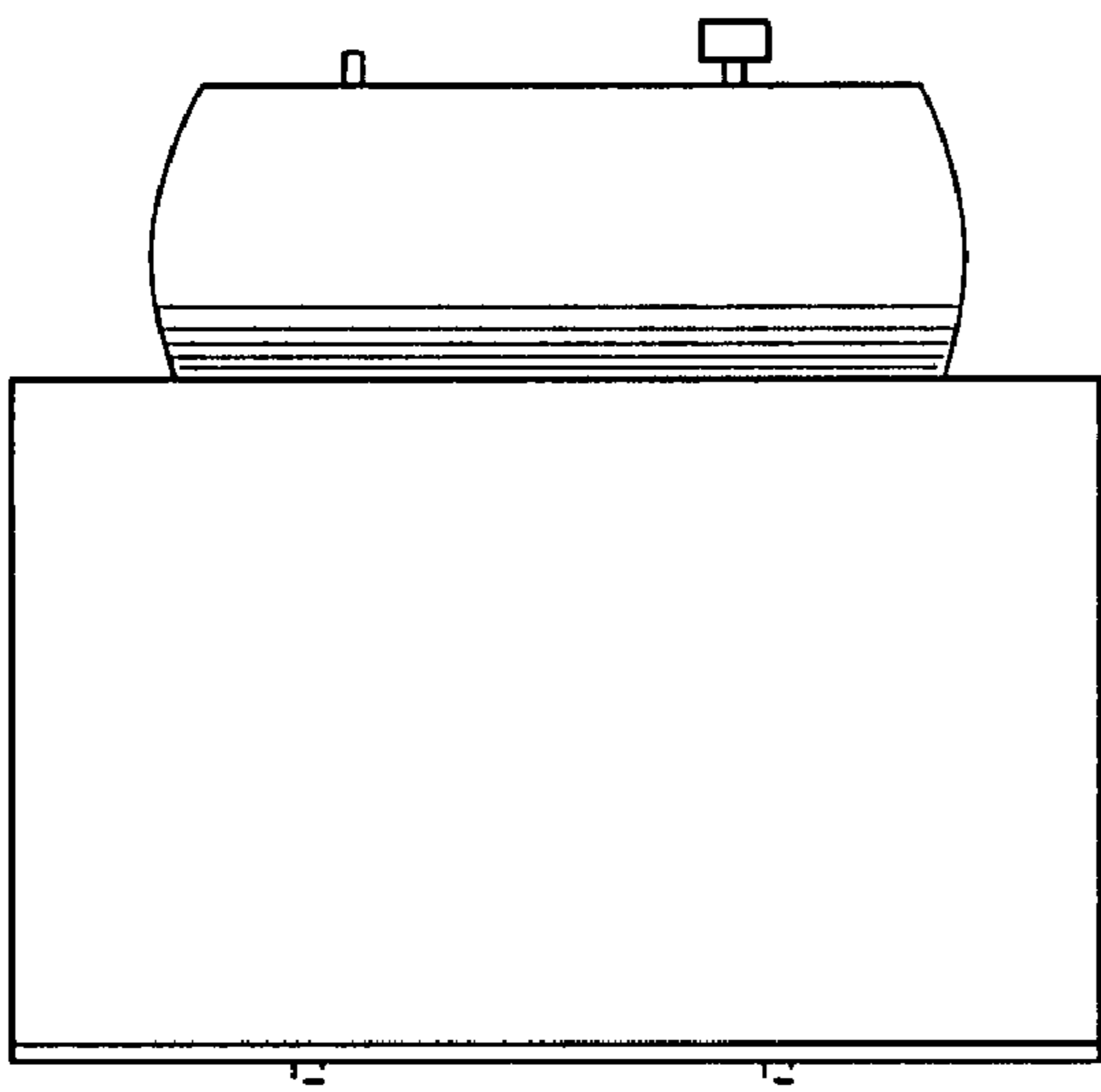


Figure 3

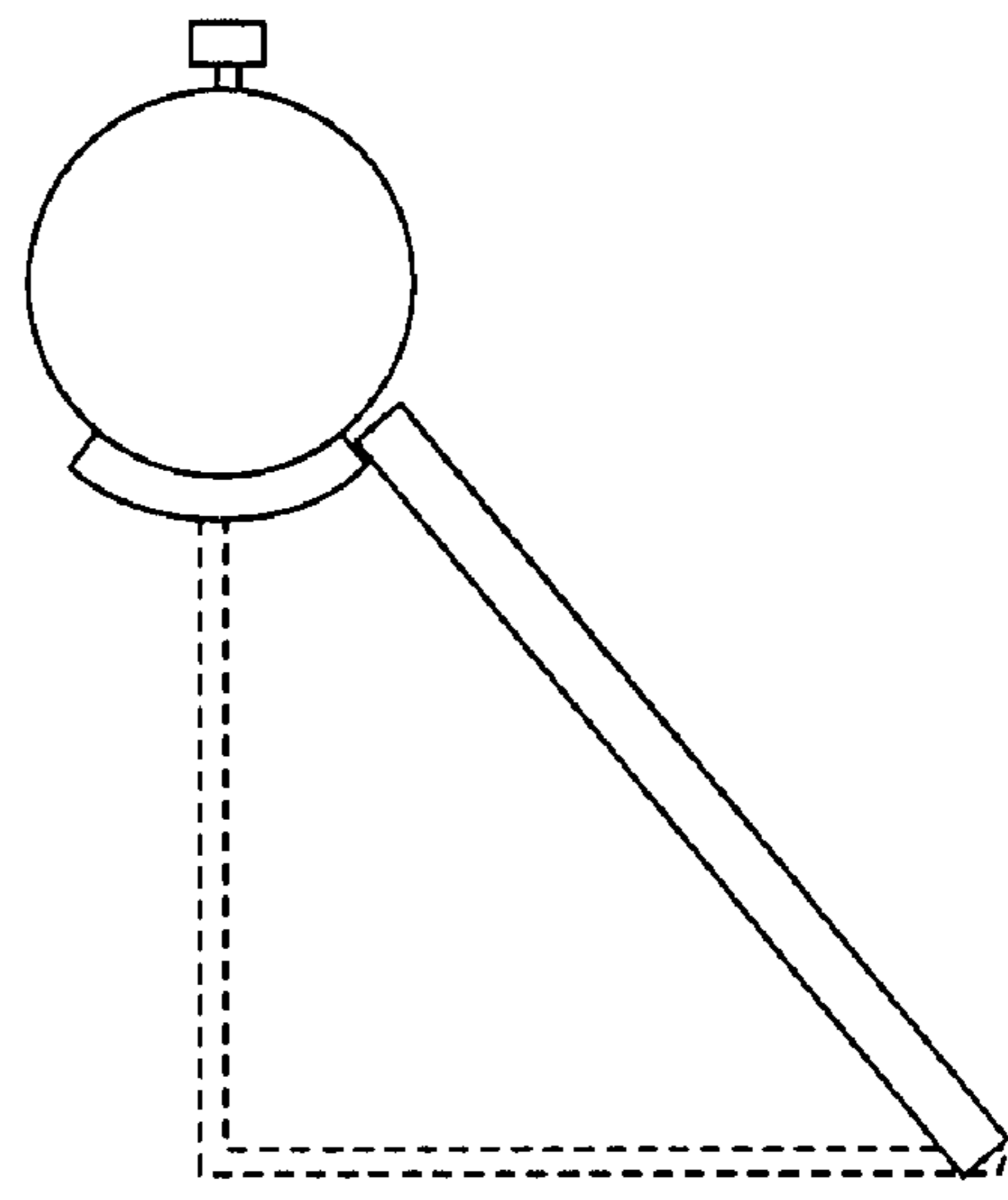
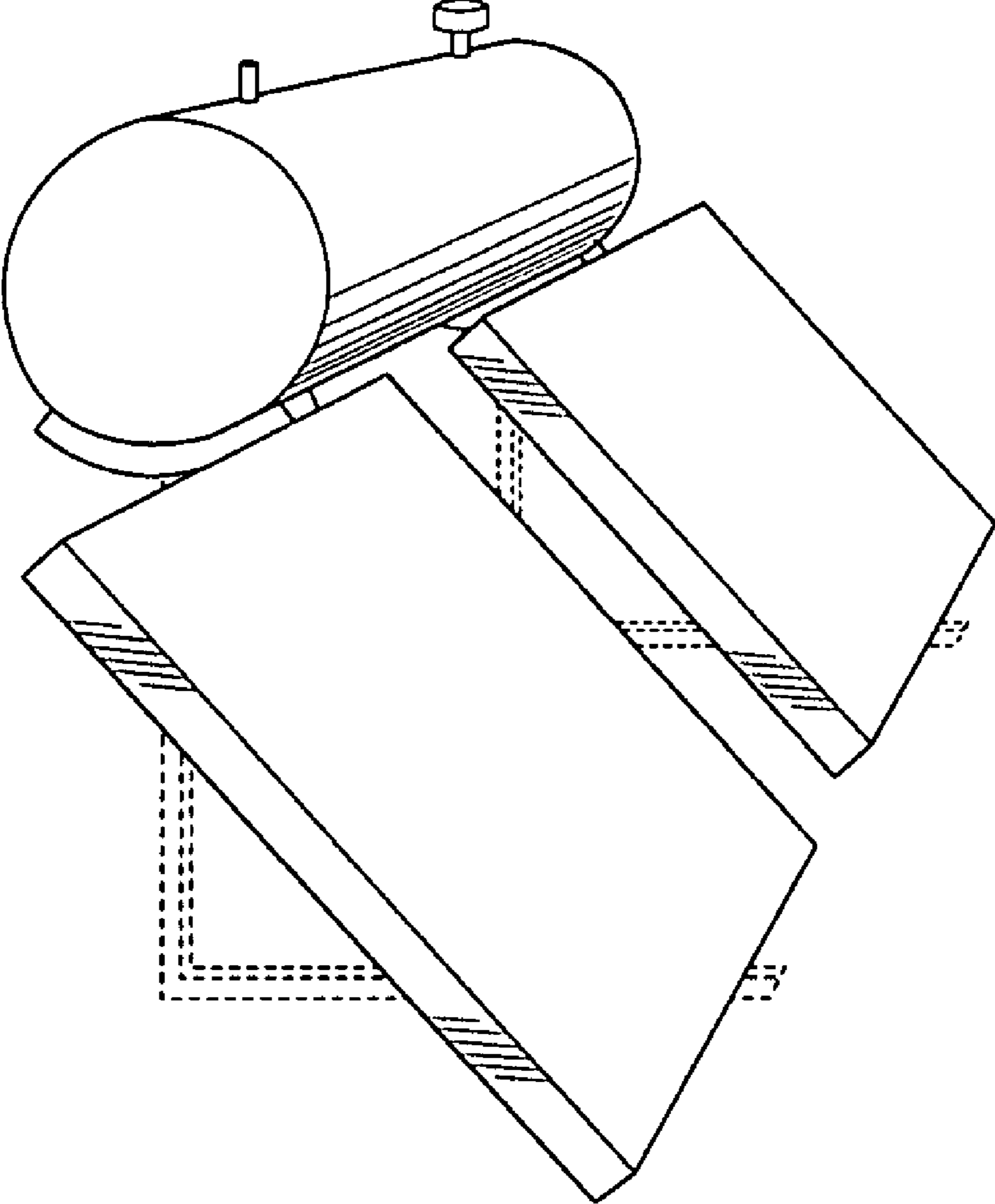


Figure 4



**Figure 5**

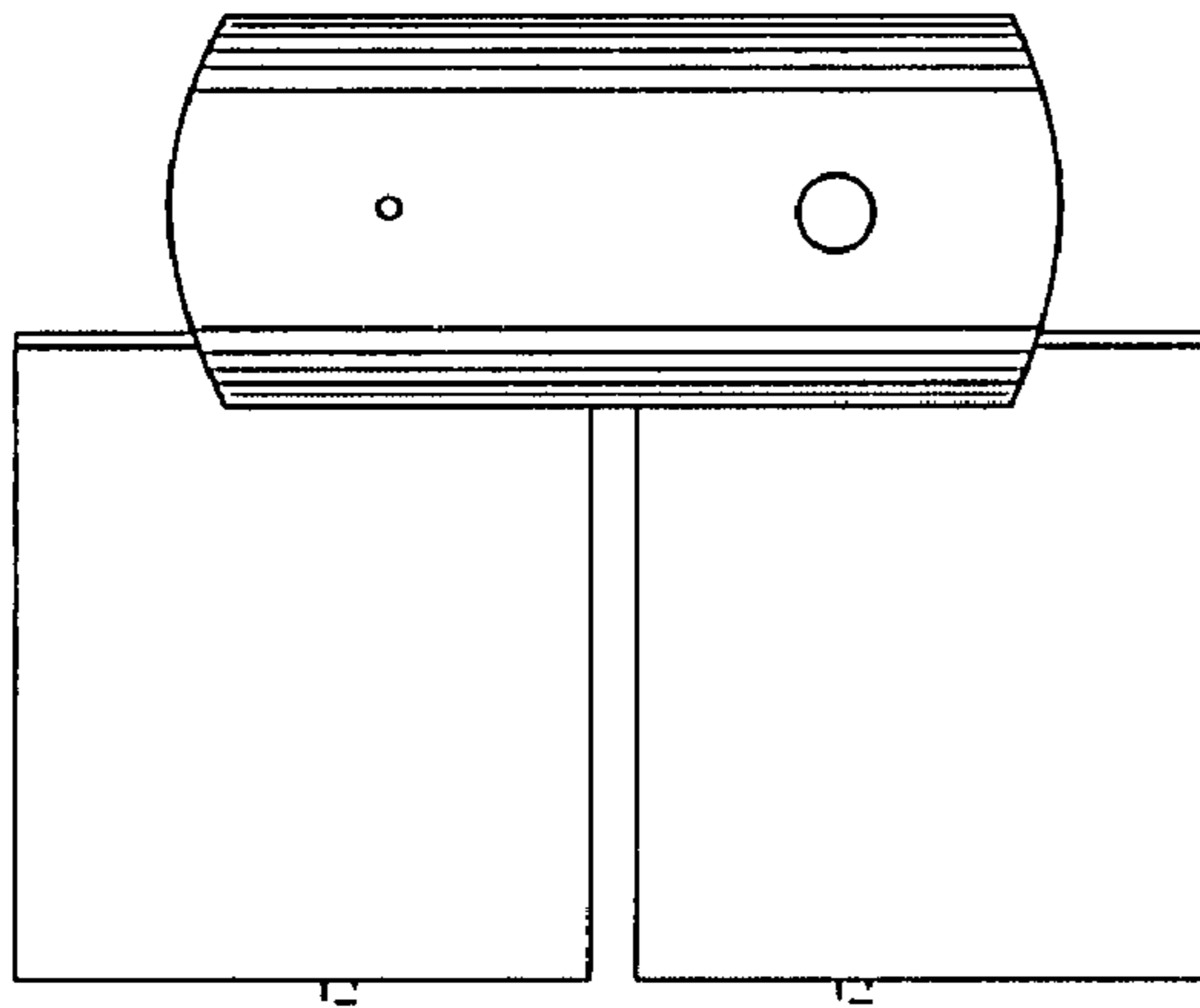


Figure 6

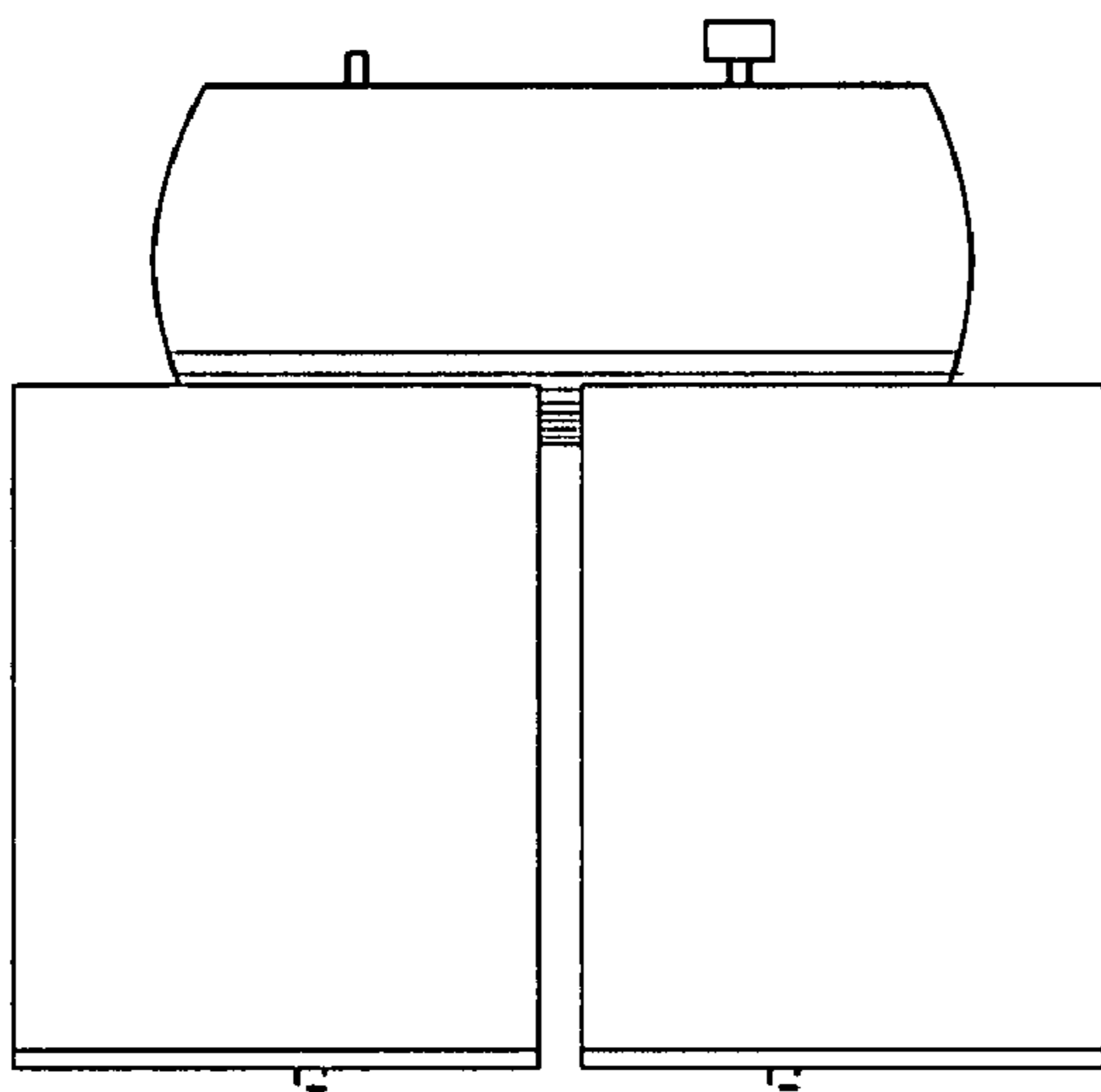


Figure 7

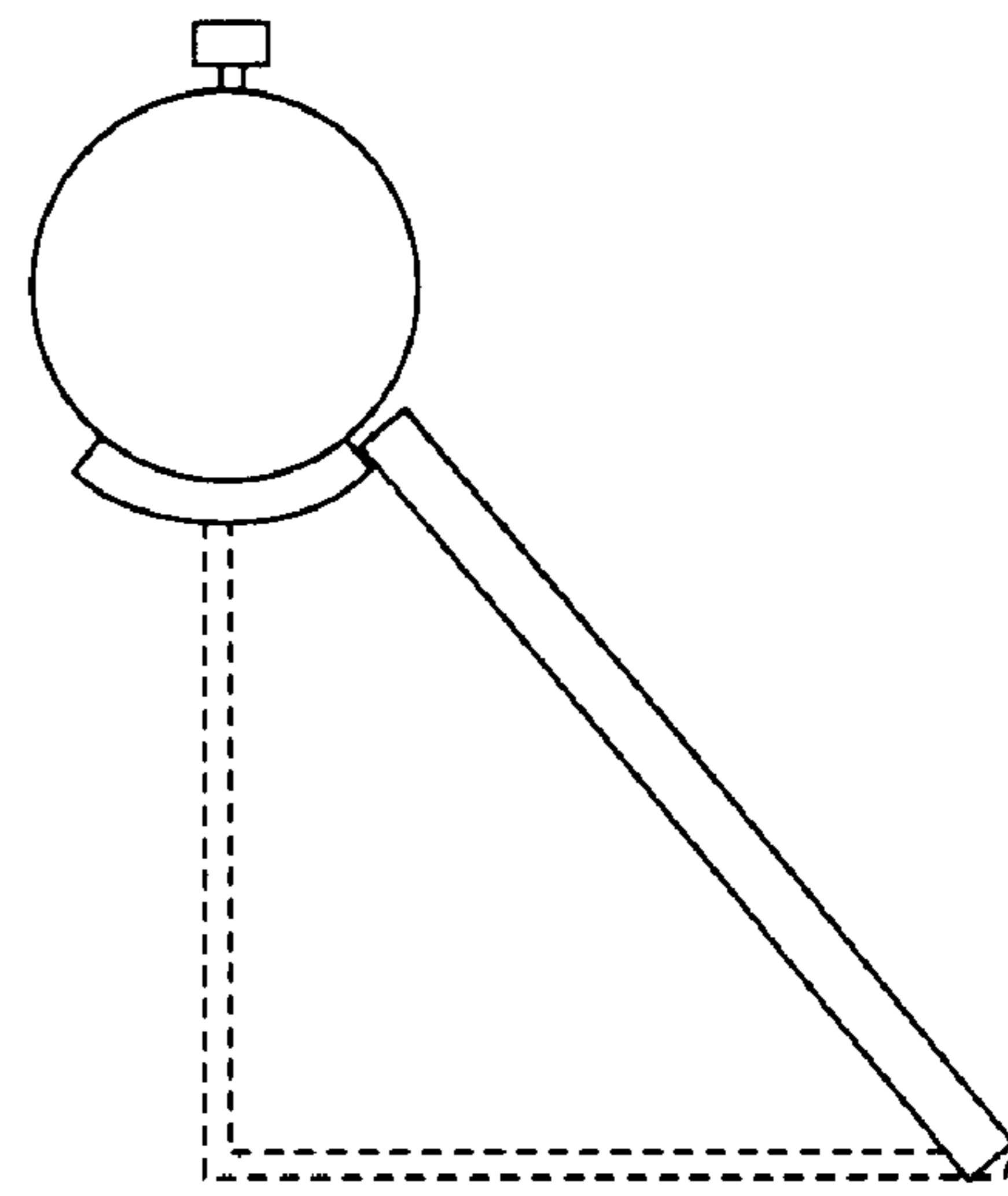


Figure 8