



US00D571900S

(12) **United States Design Patent**  
**Daikubara**

(10) **Patent No.:** **US D571,900 S**  
(45) **Date of Patent:** **\*\* Jun. 24, 2008**

(54) **PLUMBING FIXTURE**

D543,282 S \* 5/2007 Larsen ..... D24/204

(75) Inventor: **Mike Yoshiaki Daikubara**, Pittsburgh, PA (US)

(73) Assignee: **Kohler Co.**, Kohler, WI (US)

(\*\*) Term: **14 Years**

(21) Appl. No.: **29/275,750**

(22) Filed: **Jan. 5, 2007**

(51) **LOC (8) Cl.** ..... **23-02**

(52) **U.S. Cl.** ..... **D23/277**

(58) **Field of Classification Search** ..... D23/273,  
D23/275-280.4, 304-306; D24/204-205;  
4/538, 573.1, 584, 589, 591

See application file for complete search history.

(56) **References Cited**

**U.S. PATENT DOCUMENTS**

1,940,514 A	12/1933	Steinkamp	
D225,225 S *	11/1972	Russell	..... D23/279
D253,124 S	10/1979	Primault	
D285,110 S	8/1986	Burgess et al.	
D319,686 S	9/1991	Levien	
D321,245 S	10/1991	Delepine	
D350,391 S	9/1994	Gardiner	
D354,116 S	1/1995	McKeone	
D378,776 S	4/1997	Formgren	
D378,937 S	4/1997	Formgren	
D400,654 S *	11/1998	Jacuzzi	..... D23/277
D446,845 S	8/2001	Jacuzzi et al.	
D480,788 S	10/2003	Carey	
D499,466 S	12/2004	Jacuzzi et al.	
D510,983 S	10/2005	Kergoet	
D513,802 S	1/2006	Loyd	
D524,428 S	7/2006	Lanius	
D530,401 S	10/2006	Licini	

**OTHER PUBLICATIONS**

Agua Glass: Model CW5288 tub, 1990.\*  
Kohler Co. "Mayflower Bath". Model No. K-821. Kohler Co. online catalog. Copyright 2007 Kohler Co.  
Bathing Barn. "Jason Flora 60x60x20½ Corner Whirlpool Tub". Bathingbarn.com online catalog. Copyright 2002-2006 Bathing Barn Inc.  
Eljer. Enchantment Whirlpool. Model No. 015-1700. Eljer catalog, p. 1.11. Copyright information not available.

\* cited by examiner

*Primary Examiner*—Robert A Delehanty

(74) *Attorney, Agent, or Firm*—Quarles & Brady LLP

(57) **CLAIM**

The ornamental design for a plumbing fixture, as shown and described.

**DESCRIPTION**

In a preferred embodiment, the nature of this product is as a plumbing fixture in the form of a bathing tub, primary useful for washing the human body.

FIG. 1 is a left, top, front perspective view of a plumbing fixture according to my new design;

FIG. 2 is a top plan view thereof;

FIG. 3 is a front elevational view thereof;

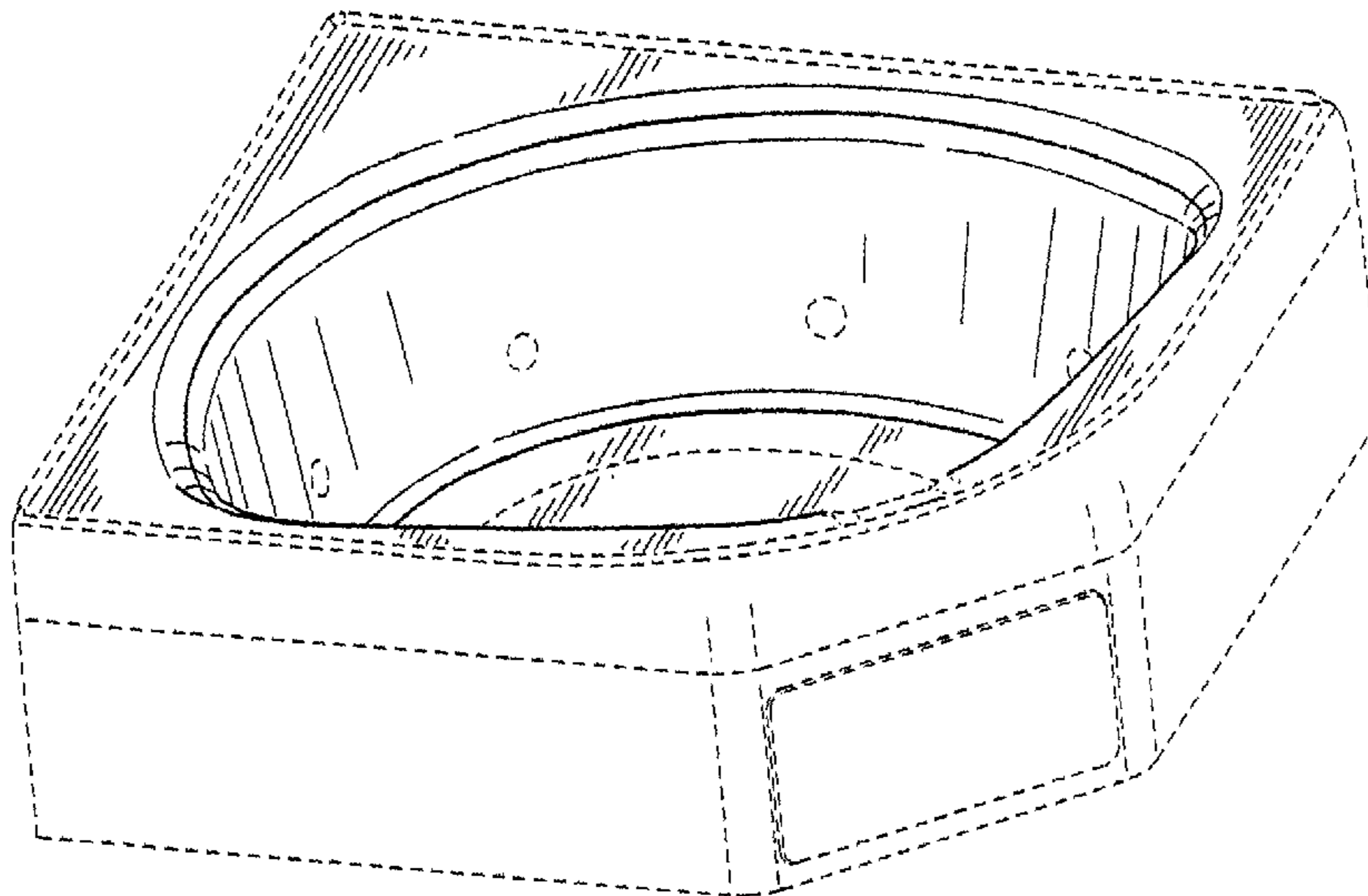
FIG. 4 is a left side elevational view thereof, the right side elevational view thereof being a mirror image of the left side shown;

FIG. 5 is a rear elevational view thereof; and,

FIG. 6 is a bottom plan view thereof.

The broken line representations in the figures, are for the purpose of illustration only, and form no part of the claimed design.

**1 Claim, 5 Drawing Sheets**



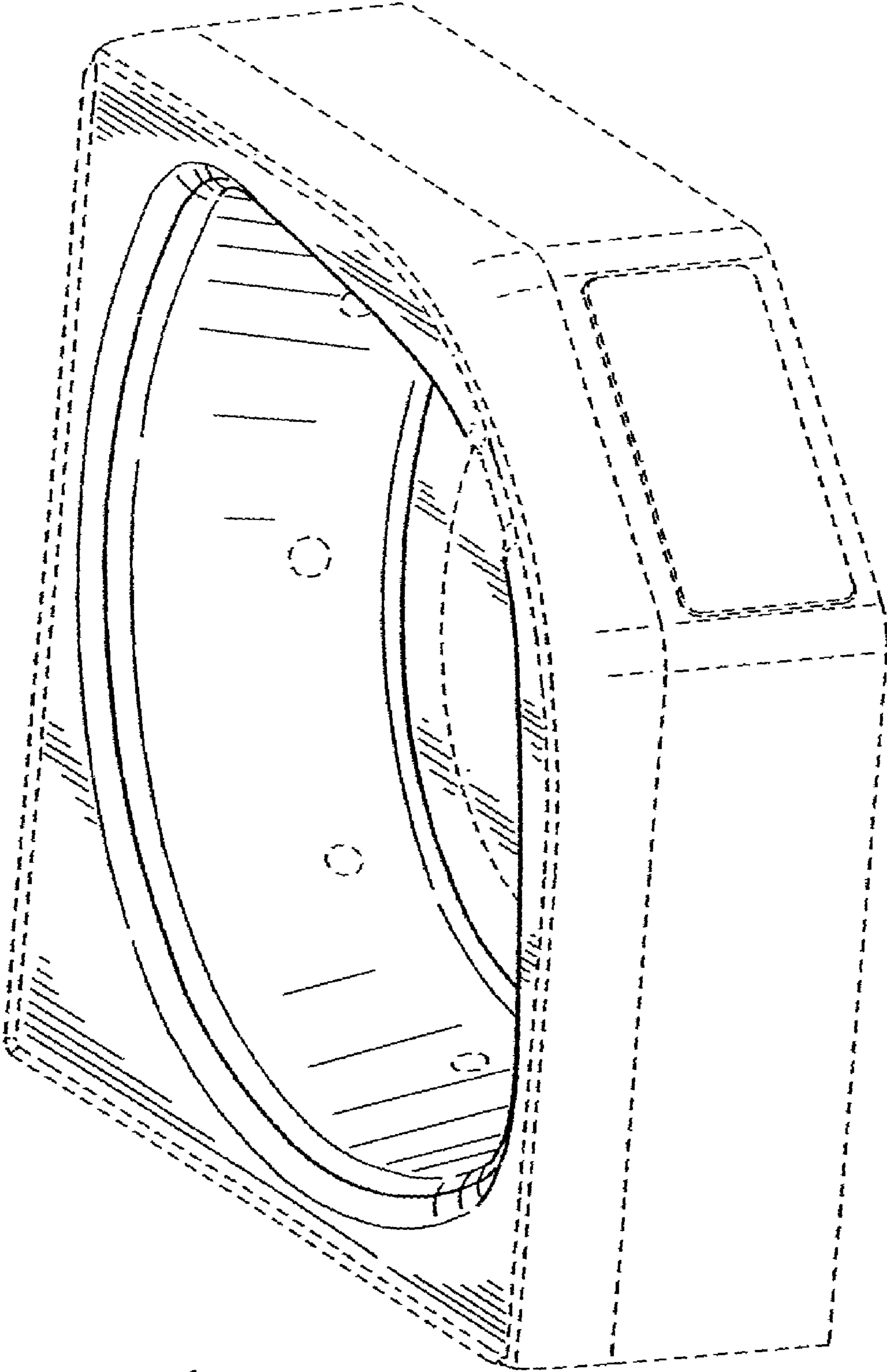


FIG. 1

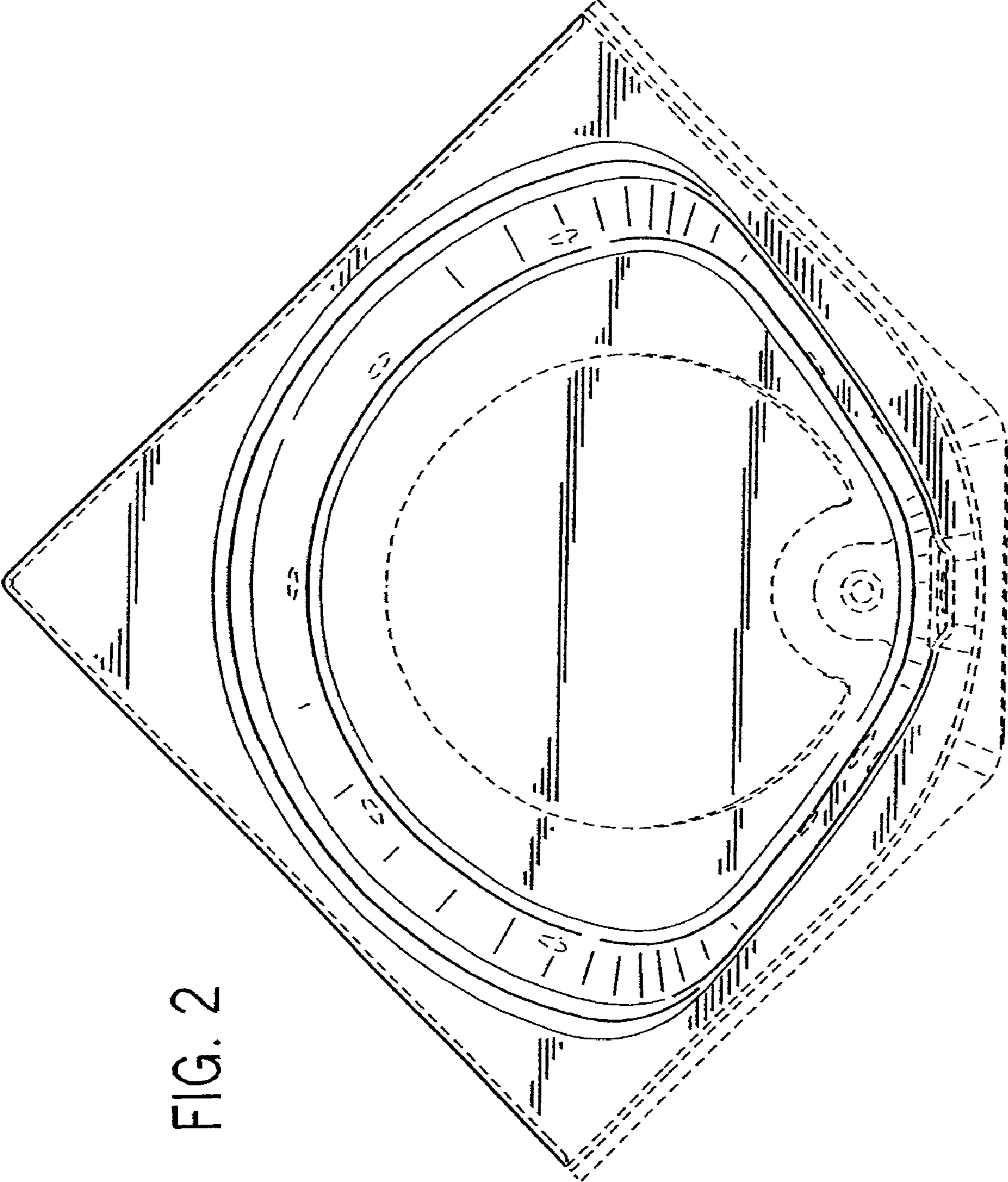


FIG. 2

FIG. 3

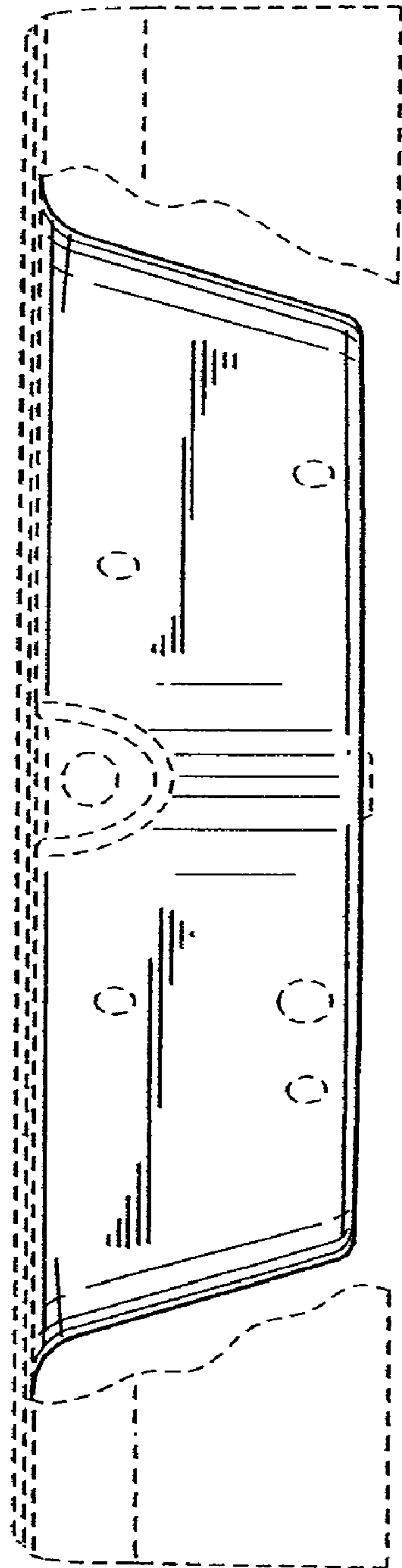


FIG. 4

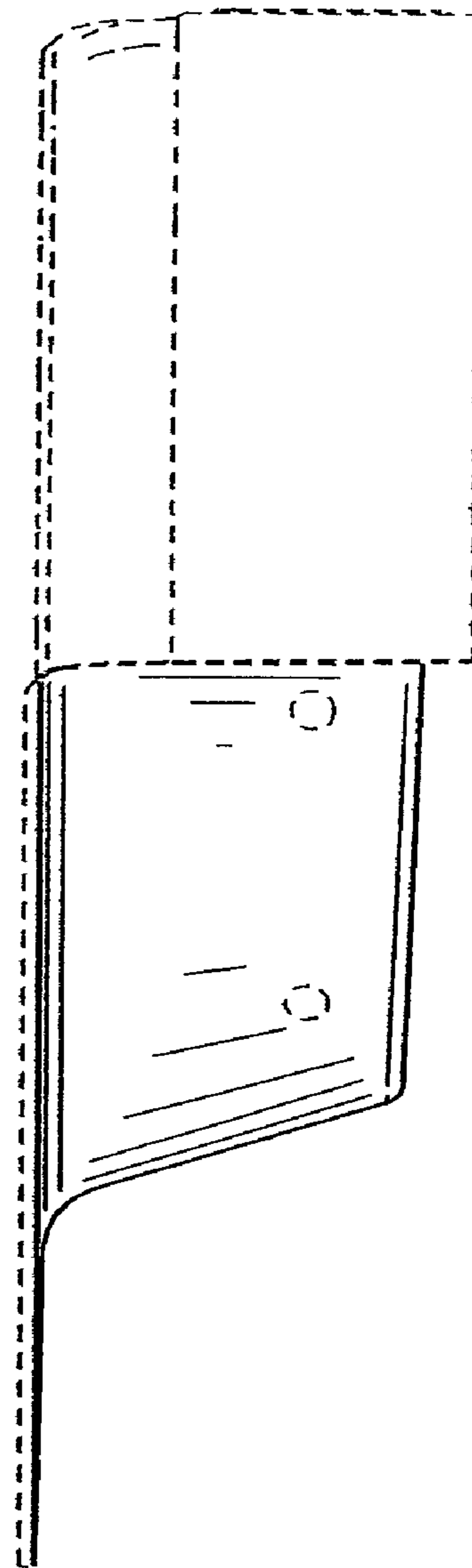
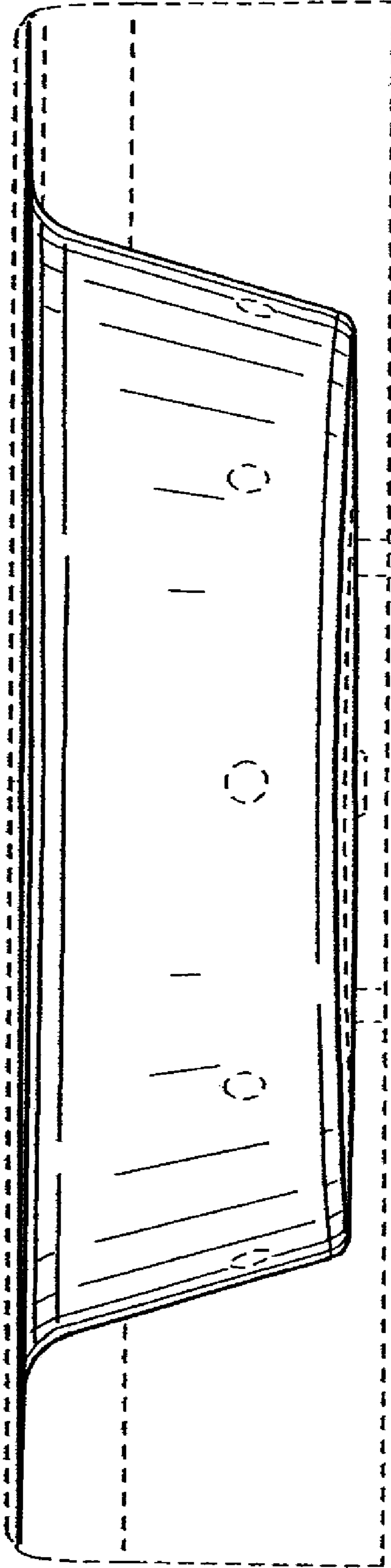


FIG. 5



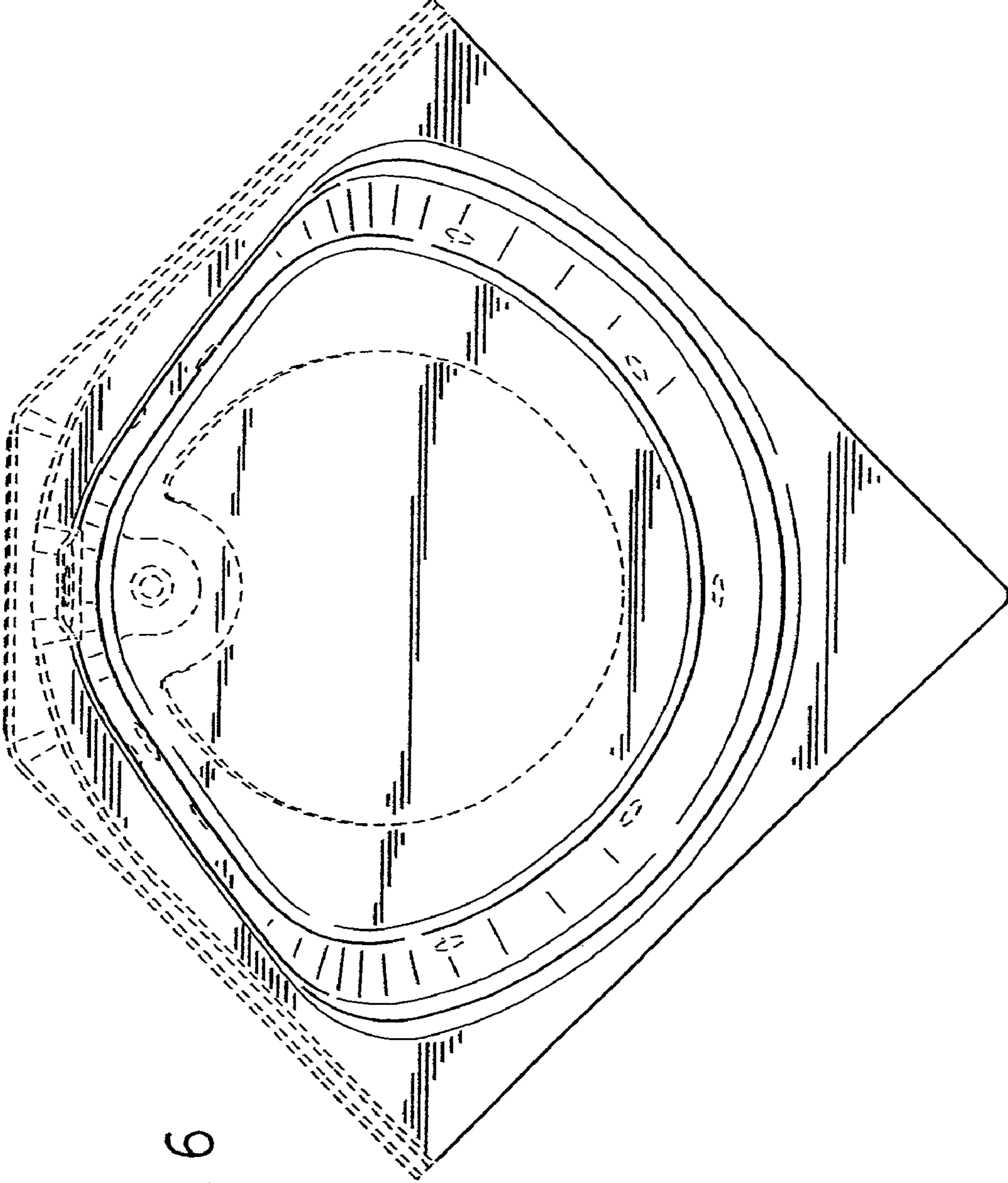


FIG. 6