



US00D571896S

(12) **United States Design Patent**
Hanna

(10) **Patent No.:** **US D571,896 S**
(45) **Date of Patent:** **** Jun. 24, 2008**

(54) **FAUCET HUB AND HANDLE**

(75) Inventor: **Aaron Hanna**, Corona, CA (US)

(73) Assignee: **Newfrey LLC**, Newark, DE (US)

(**) Term: **14 Years**

(21) Appl. No.: **29/273,146**

(22) Filed: **Feb. 26, 2007**

(51) **LOC (8) Cl.** **23-01**

(52) **U.S. Cl.** **D23/250**

(58) **Field of Classification Search** D23/250-257,
D23/238-243, 244-249; 4/675-678; D8/300,
D8/307-308, 310-312, 321; D6/550; 137/801;
16/110.1, 441

See application file for complete search history.

(56) **References Cited**

U.S. PATENT DOCUMENTS

D99,160 S	3/1936	Gadberry	
D108,067 S	1/1938	Clemmons	
D235,098 S	5/1975	Doman	
D290,496 S	6/1987	Ryan	
D291,236 S	8/1987	Delepine	
D318,901 S	8/1991	Rodstein	
D332,824 S	1/1993	Robbins	
D346,205 S	4/1994	Sauter et al.	
D357,305 S	4/1995	Fabian	
D365,384 S *	12/1995	Robbins D23/252
D371,826 S	7/1996	Robbins	
D383,831 S	9/1997	Esche et al.	
D397,425 S	8/1998	Paredes et al.	
D402,005 S	12/1998	Ko	
D404,467 S	1/1999	Doughty et al.	

D406,877 S	3/1999	Esche et al.
D407,144 S	3/1999	Formgren
D407,466 S	3/1999	Hundley et al.
D409,726 S	5/1999	Formgren
D413,654 S	9/1999	Paredes et al.
D416,982 S	11/1999	Warshawsky et al.
D416,986 S	11/1999	Formgren
D422,059 S	3/2000	Fabian
D443,918 S	6/2001	Lord
D448,067 S	9/2001	Pitsch
D448,453 S	9/2001	Lord
D458,989 S	6/2002	Müllenmeister

(Continued)

Primary Examiner—Robert A Delehanty

(74) *Attorney, Agent, or Firm*—Richard J. Veltman

(57) **CLAIM**

The ornamental design for a faucet hub and handle, as shown and described.

DESCRIPTION

FIG. 1 is a perspective view of a faucet hub and handle showing a new design;

FIG. 2 is a front view thereof;

FIG. 3 is a back view thereof;

FIG. 4 is a top view thereof;

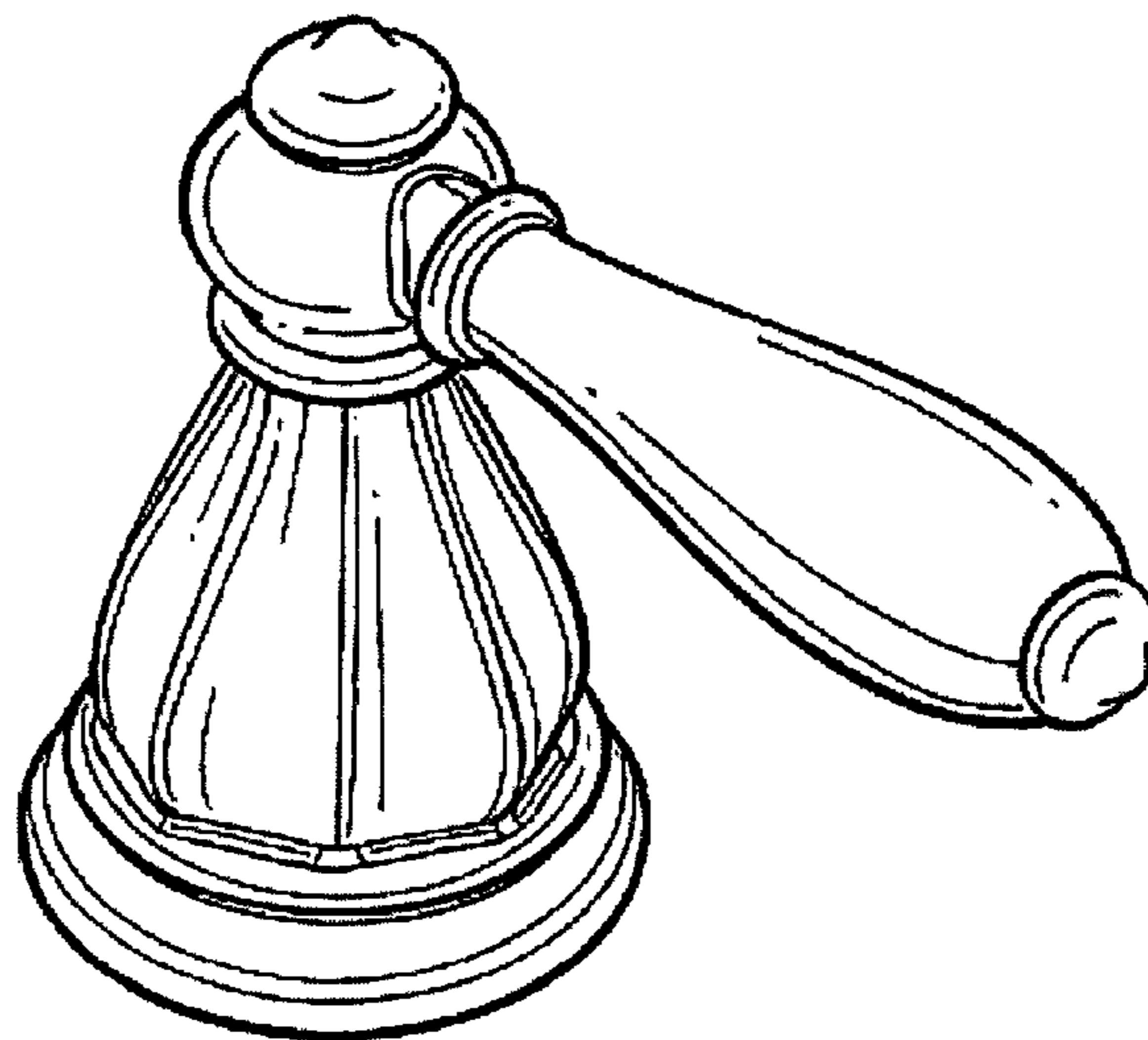
FIG. 5 is a bottom view thereof;

FIG. 6 is a right side view thereof; and,

FIG. 7 is a left side view thereof.

The broken lines in the Figures are for illustrative purposes only and form no part of the claimed design.

1 Claim, 3 Drawing Sheets



US D571,896 S

Page 2

U.S. PATENT DOCUMENTS

D460,533 S	7/2002	Singtoroj	D510,980 S	10/2005	Fritz	
D460,534 S	7/2002	Hanna et al.	D512,126 S	11/2005	Blomstrom	
D464,119 S	10/2002	Blomstrom	D512,129 S *	11/2005	Gilbert	D23/250
D466,590 S	12/2002	Otero et al.	D512,768 S	12/2005	Ouyoung	
D466,980 S	12/2002	Pitsch et al.	D513,527 S	1/2006	Ouyoung	
D469,511 S	1/2003	Marshall	D514,203 S	1/2006	Kulig	
D469,852 S	2/2003	Marshall	D515,669 S	2/2006	Ying-Hui et al.	
D469,857 S	2/2003	Lim	D517,660 S	3/2006	Kemp	
D470,574 S	2/2003	Marshall	D517,662 S	3/2006	Müllenmeister	
D470,575 S	2/2003	Marshall	D518,149 S	3/2006	Spangler	
D471,964 S	3/2003	Bates et al.	D518,151 S	3/2006	Ito	
D472,610 S	4/2003	Marshall	D520,333 S	5/2006	Gilbert	
D474,671 S	5/2003	Singtoroj et al.	D521,353 S	5/2006	Gilbert	
D483,093 S	12/2003	Bates et al.	D521,354 S	5/2006	Gilbert et al.	
D484,952 S	1/2004	Marshall	D522,100 S	5/2006	Fritz	
D485,332 S	1/2004	Blomstrom	D522,629 S *	6/2006	Fritz	D23/252
D490,878 S	6/2004	Hunt	D523,530 S	6/2006	Schaffeld et al.	
D495,402 S	8/2004	Spiegelberg et al.	D523,531 S	6/2006	Fritz	
D498,822 S	11/2004	Lin	D523,934 S	6/2006	Schaffeld et al.	
D509,883 S	9/2005	Xiang et al.	D535,364 S	1/2007	Gilbert	
			2005/0098221 A1	5/2005	Mascari et al.	

* cited by examiner

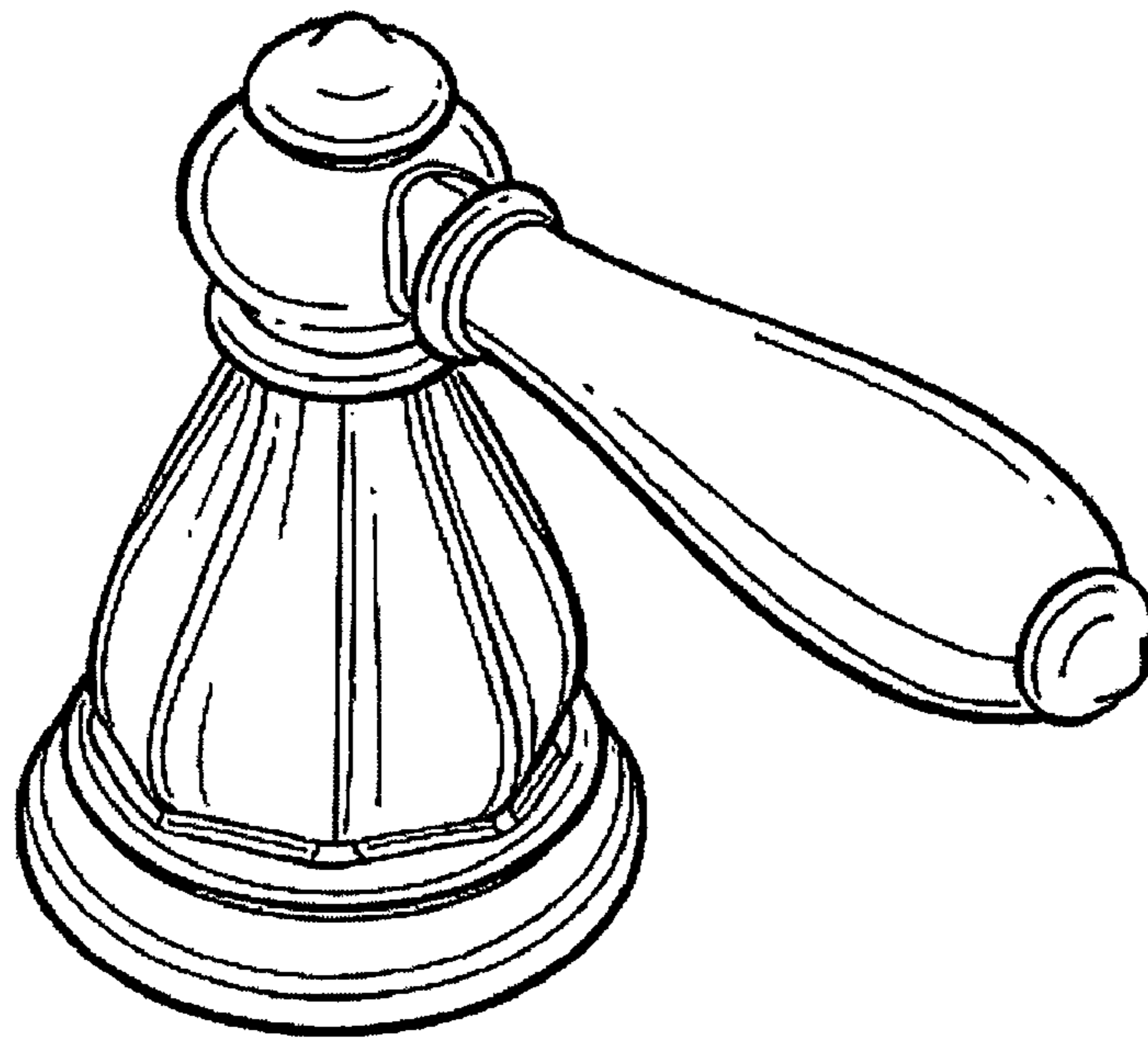


Fig. 1

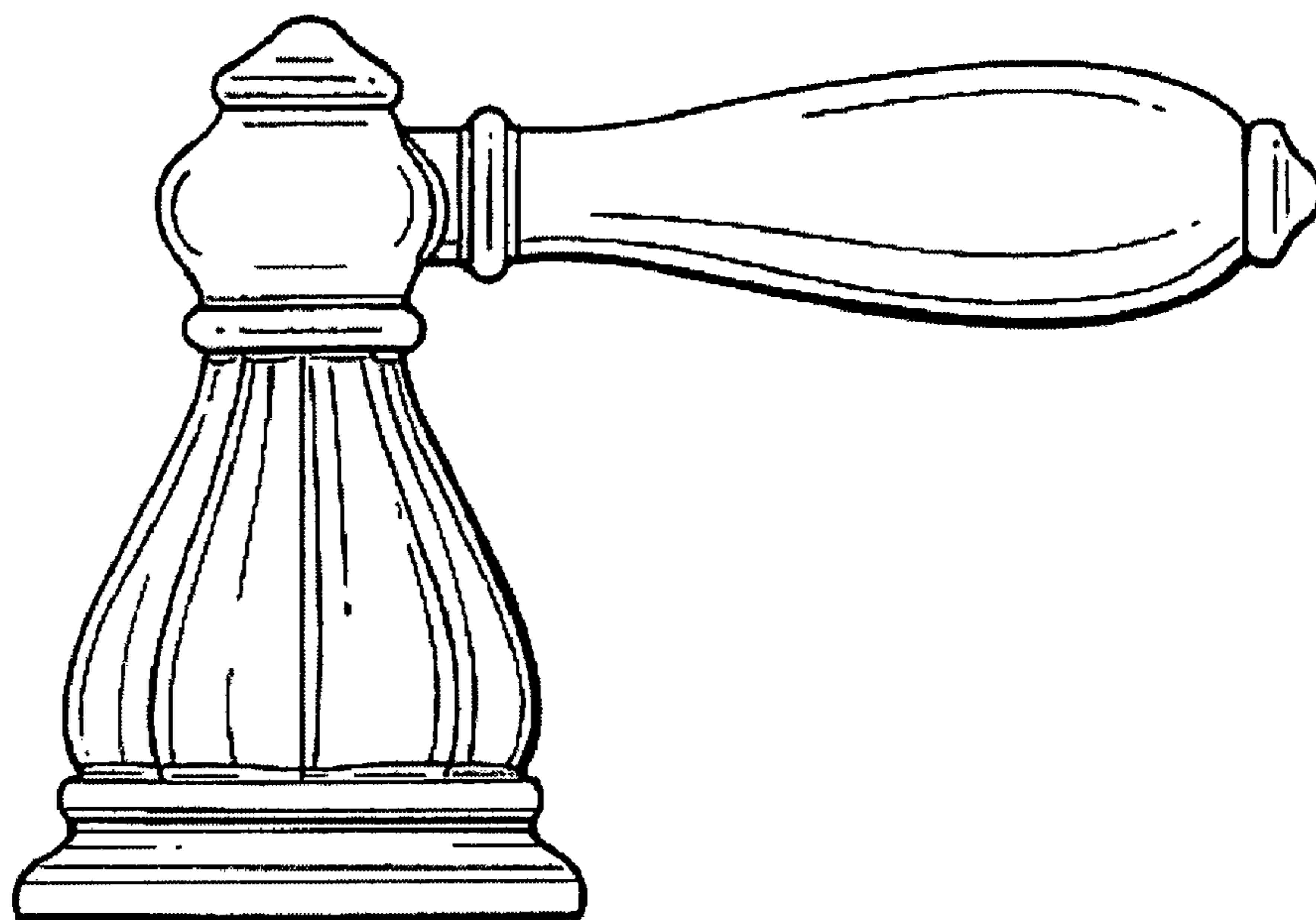


Fig. 2

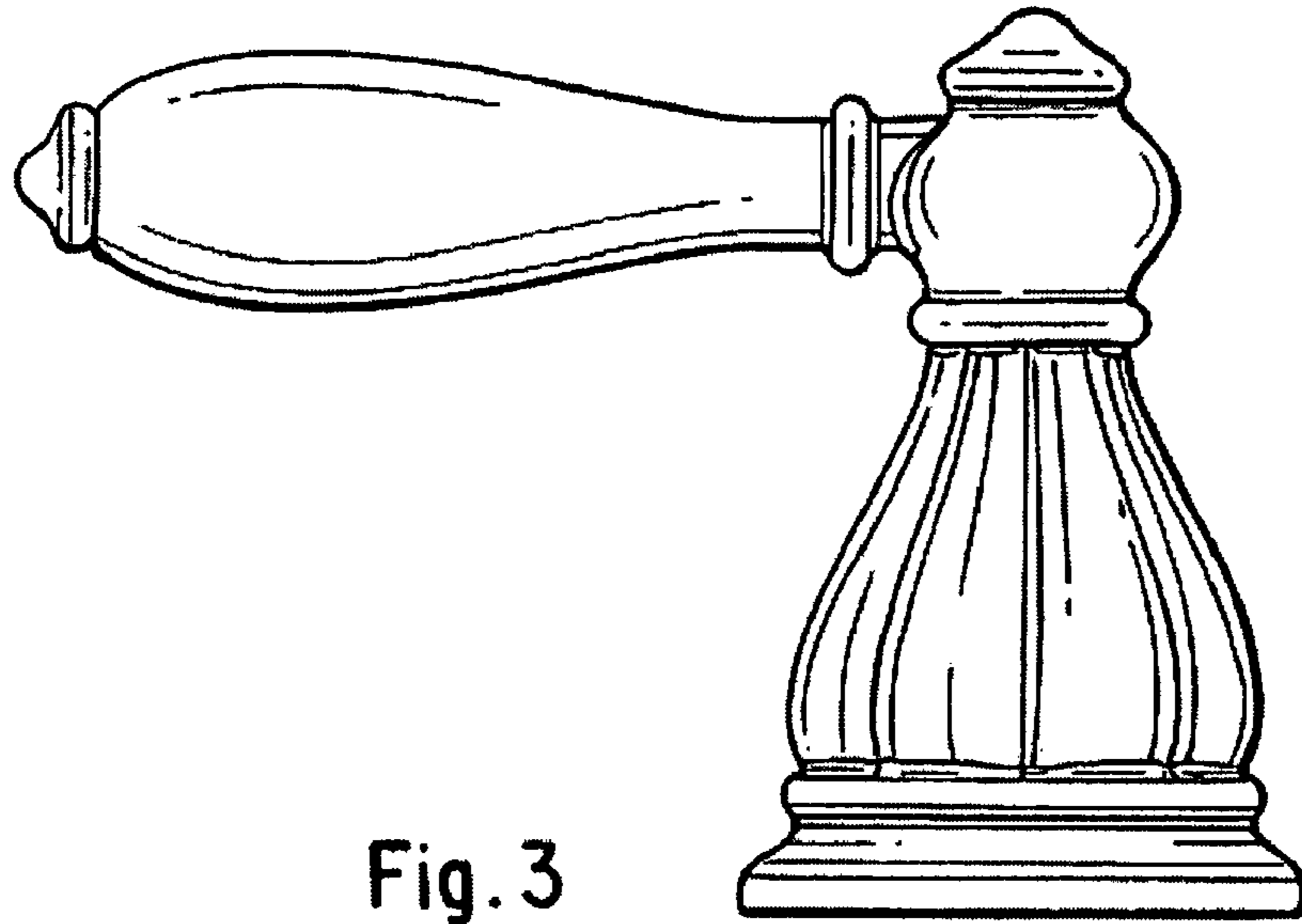


Fig. 3

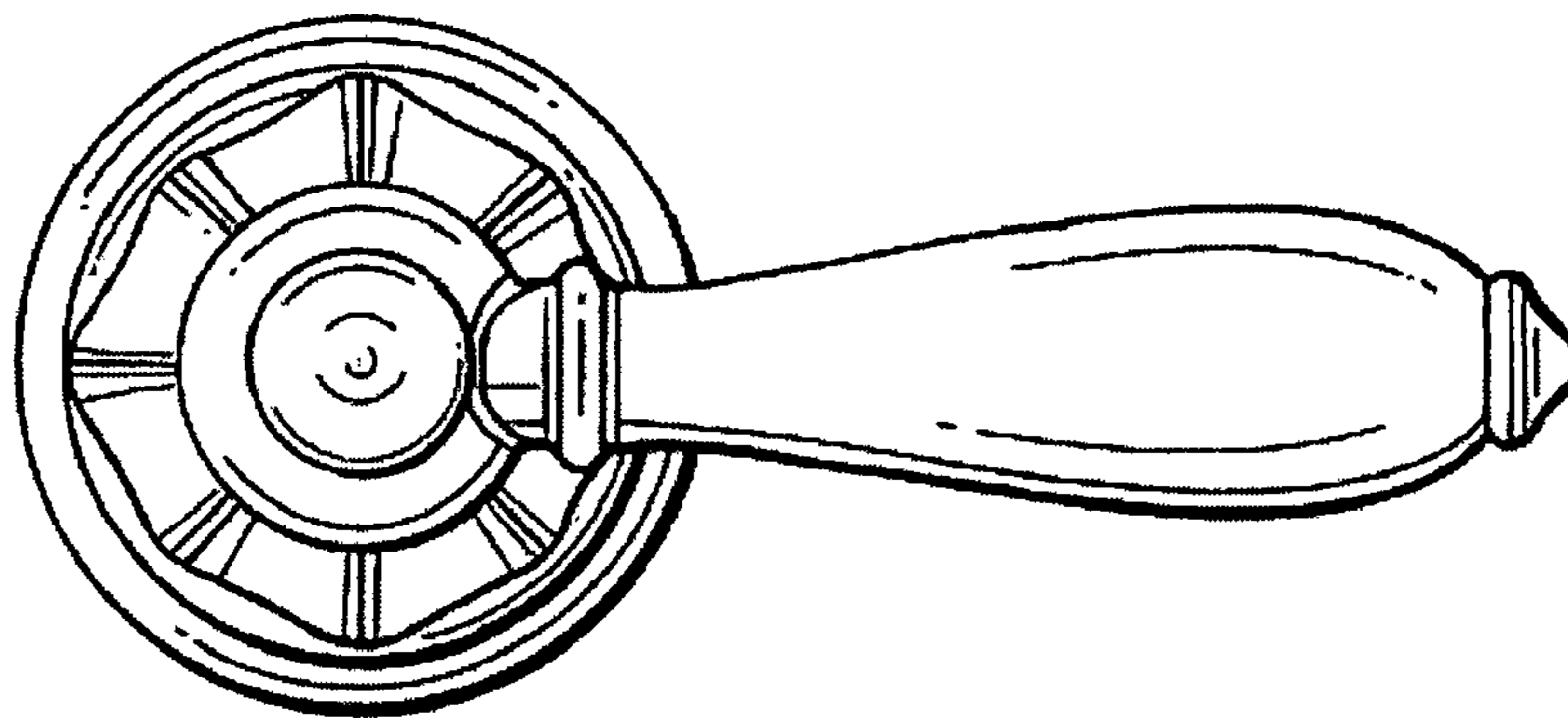


Fig. 4

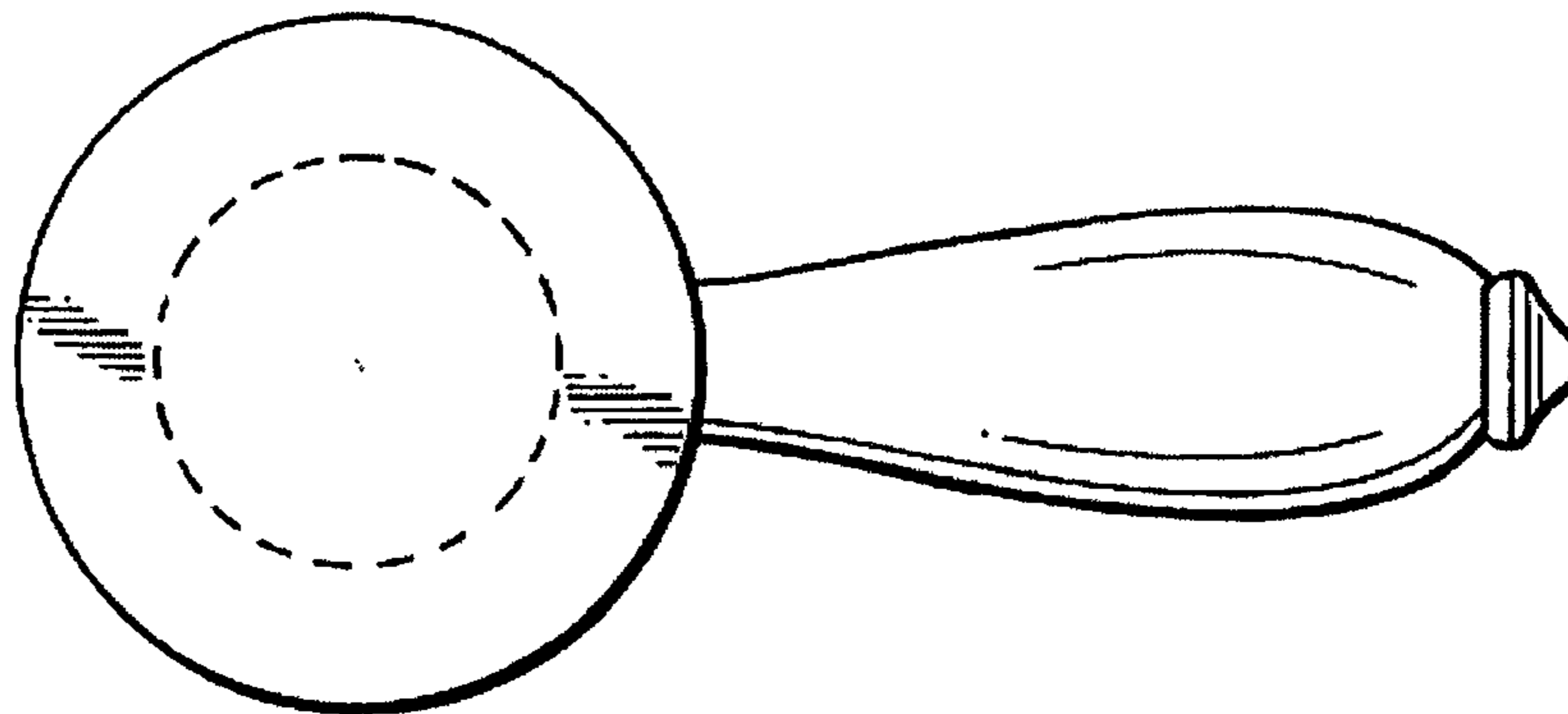


Fig. 5

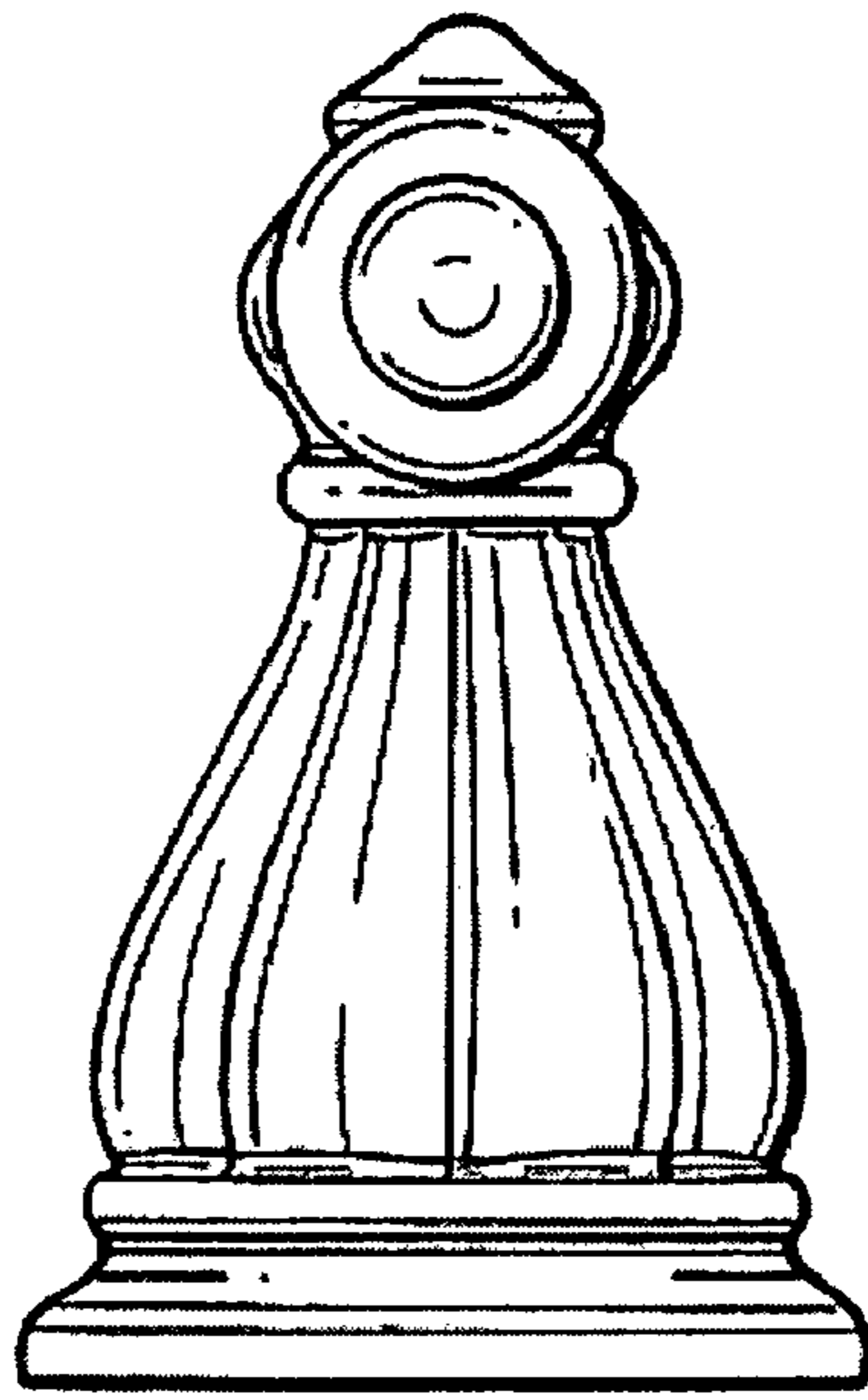


Fig. 6

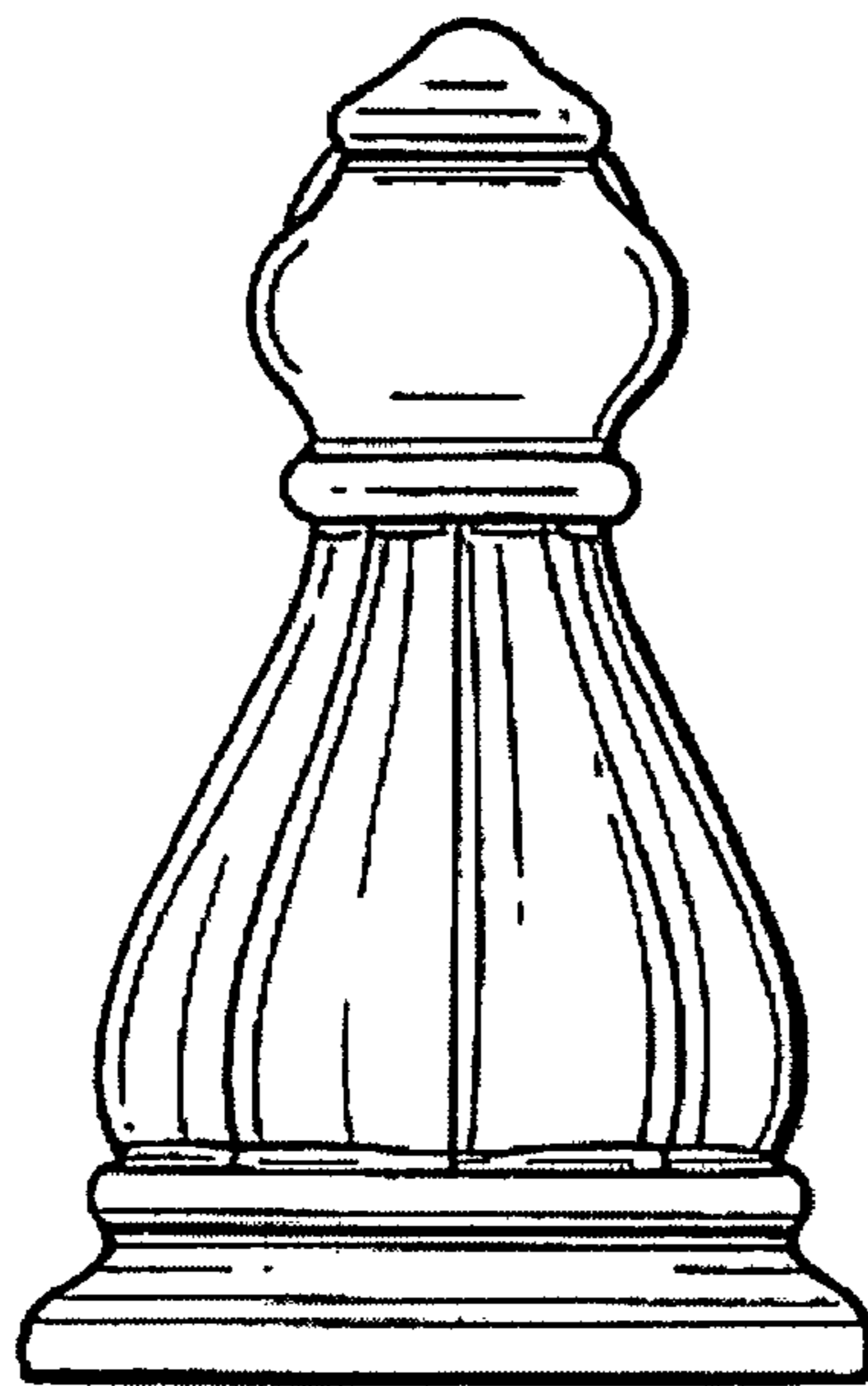


Fig. 7