

US00D571894S

(12) **United States Design Patent**  
**Oh**

(10) **Patent No.:** **US D571,894 S**  
(45) **Date of Patent:** **\*\* Jun. 24, 2008**

(54) **LEVER FOR FAUCET**

(75) Inventor: **Jun-Sik Oh**, Seoul (KR)

(73) Assignee: **Daelim Trading Co., Ltd.**, Seoul (KR)

(\*\*) Term: **14 Years**

(21) Appl. No.: **29/274,068**

(22) Filed: **Mar. 27, 2007**

(51) **LOC (8) Cl.** ..... **23-01**

(52) **U.S. Cl.** ..... **D23/249**

(58) **Field of Classification Search** ..... D23/238–250,  
D23/252–255, 257; 4/671–678; 137/801,  
137/615; D7/398

See application file for complete search history.

(56) **References Cited**

**U.S. PATENT DOCUMENTS**

D266,785 S *	11/1982	Thompson	.....	D23/255
D276,299 S *	11/1984	Reardon	.....	D23/245
D296,815 S *	7/1988	Jans	.....	D23/252
D299,854 S *	2/1989	Paul	.....	D23/252
D311,438 S *	10/1990	Strignano	.....	D23/242
D321,752 S *	11/1991	Paul	.....	D23/242
D322,841 S *	12/1991	Kohler et al.	.....	D23/255
D324,901 S *	3/1992	Bonnell	.....	D23/252
D326,505 S *	5/1992	Kohler et al.	.....	D23/255
D326,506 S *	5/1992	Kohler, Jr.	.....	D23/255
D350,183 S *	8/1994	Joerger	.....	D23/242
D357,730 S *	4/1995	Saperstein	.....	D23/252
D363,763 S *	10/1995	Starck	.....	D23/243

D512,486 S *	12/2005	Brancato	.....	D23/251
D513,791 S *	1/2006	Kosasih	.....	D23/252
2004/0050434 A1 *	3/2004	Chen	.....	137/801
2006/0180222 A1 *	8/2006	Kang	.....	137/801

\* cited by examiner

*Primary Examiner*—Louis S Zarfaz

*Assistant Examiner*—David G Muller

(74) *Attorney, Agent, or Firm*—Arent Fox LLP

(57) **CLAIM**

The ornamental design for a lever for faucet, as shown and described.

**DESCRIPTION**

FIG. 1 is a front view of a lever for faucet showing my new design.

FIG. 2 is a rear view thereof.

FIG. 3 is a left side view thereof.

FIG. 4 is a right side view thereof.

FIG. 5 is a plane view thereof.

FIG. 6 is a bottom view thereof.

FIG. 7 is a perspective view thereof; and,

FIG. 8 is a perspective view of the faucet lever attached to a faucet.

The broken line showing of parts of the drawings is included for the purpose of illustrating use and environment and forms no part of the claimed design.

**1 Claim, 8 Drawing Sheets**

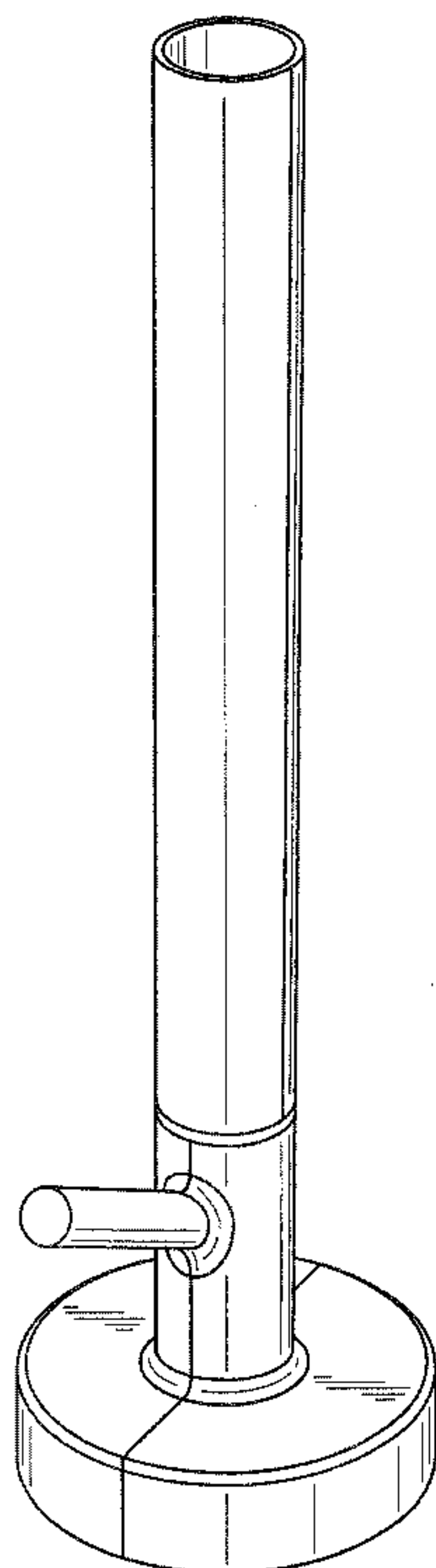


FIG. 1

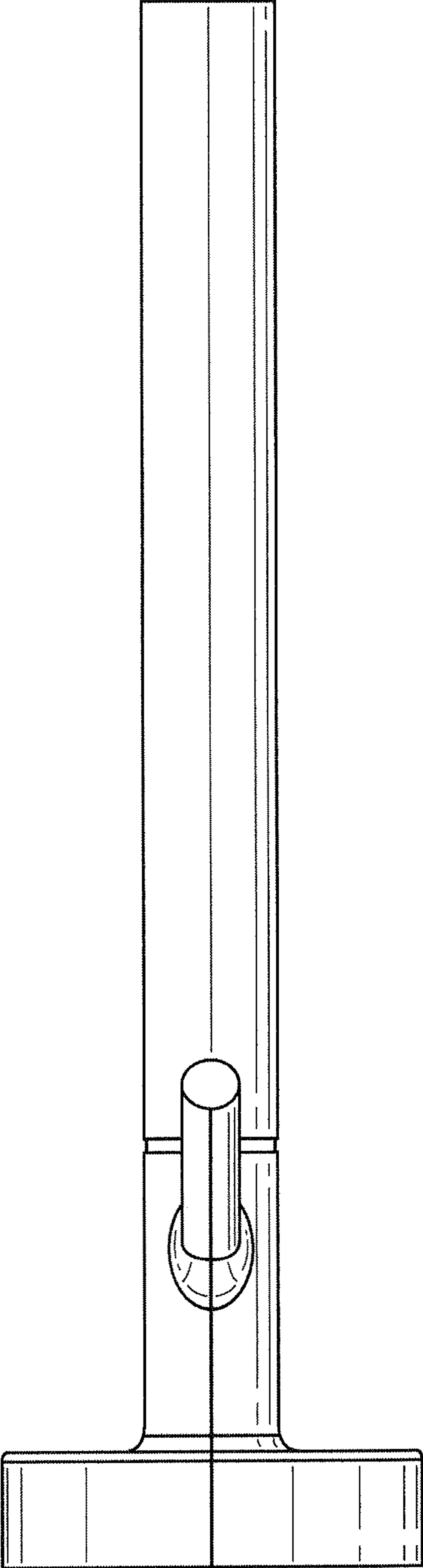


FIG.2

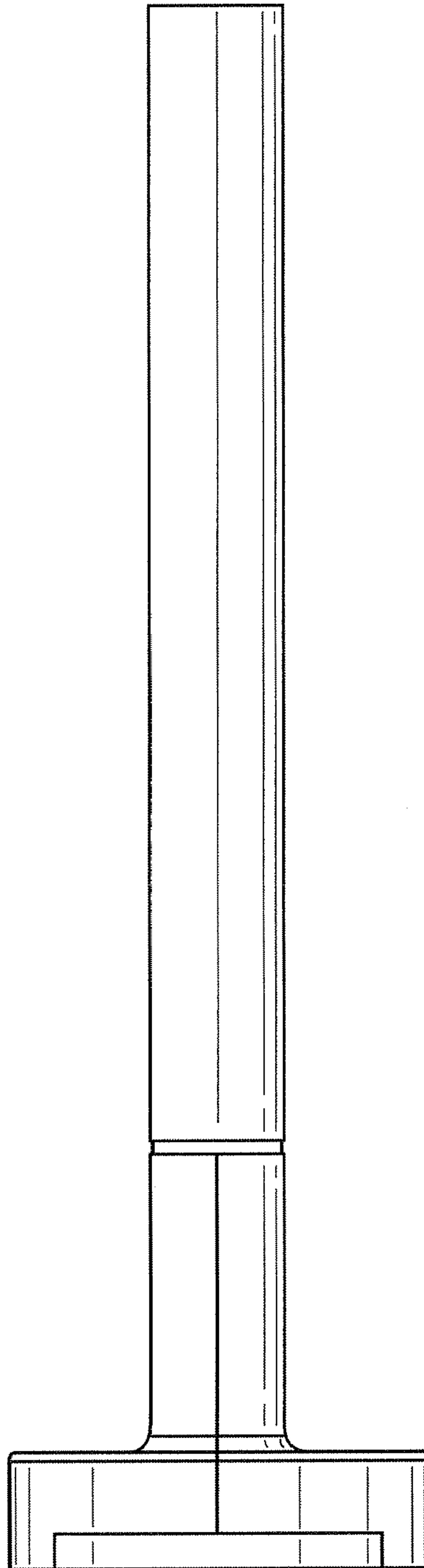


FIG.3

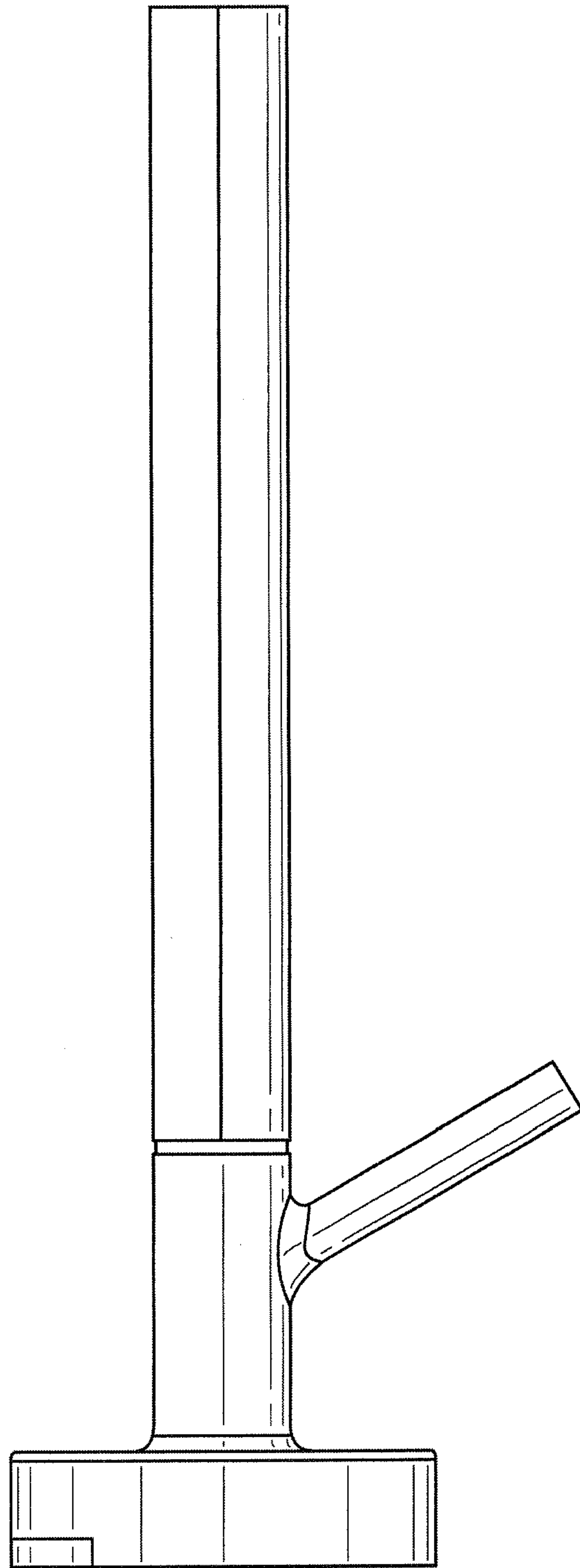


FIG.4

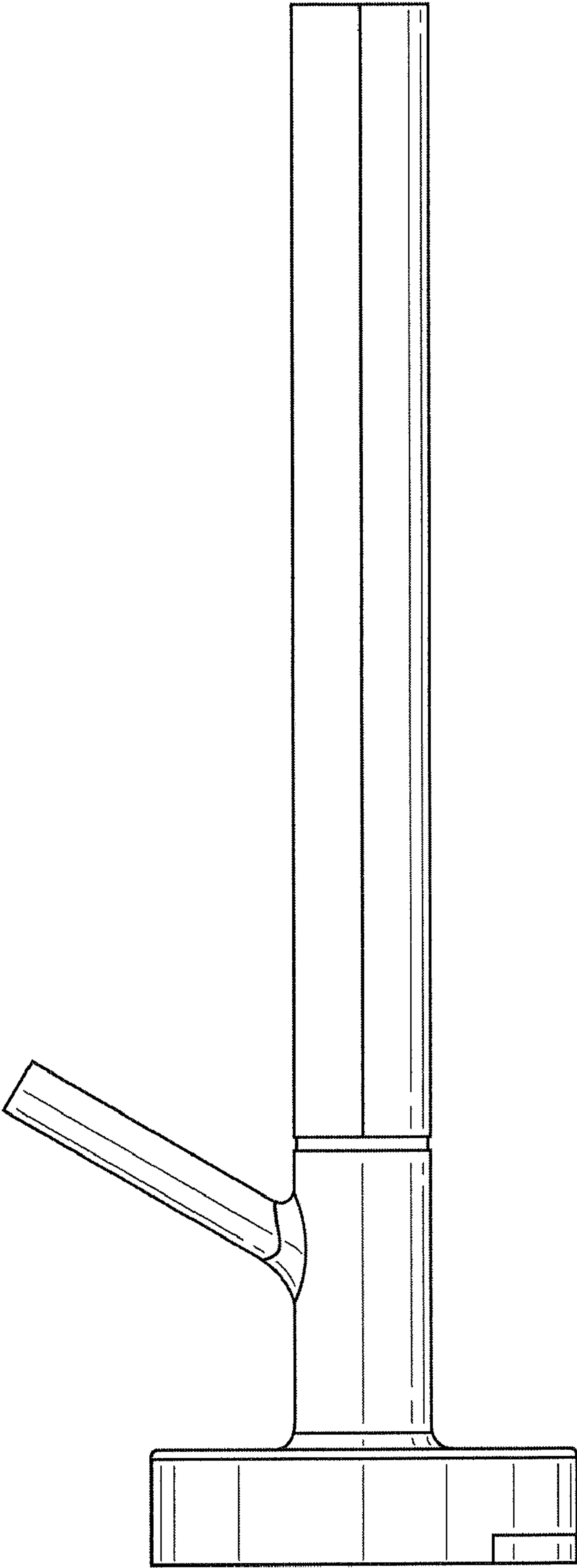


FIG.5

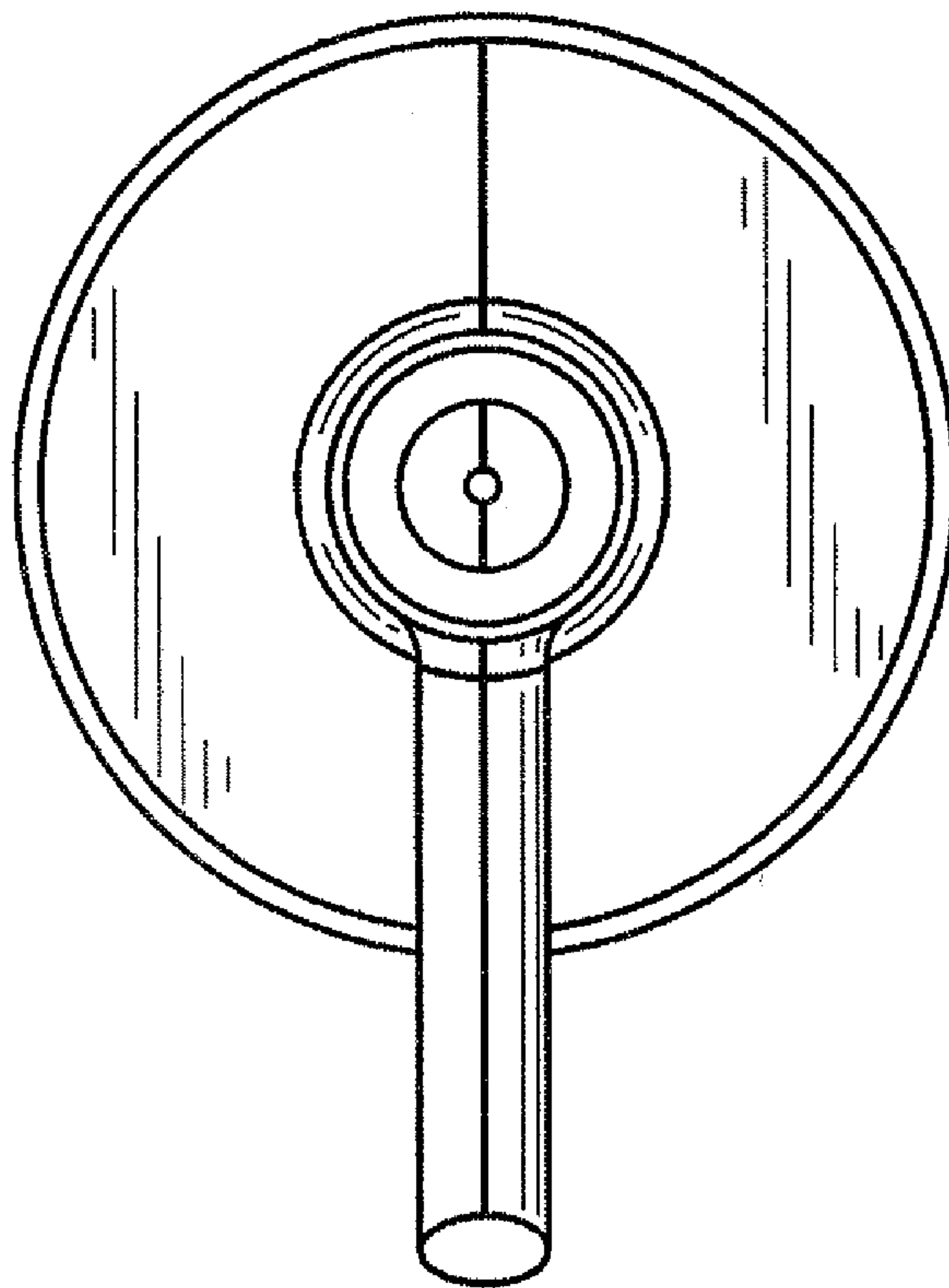


FIG.6

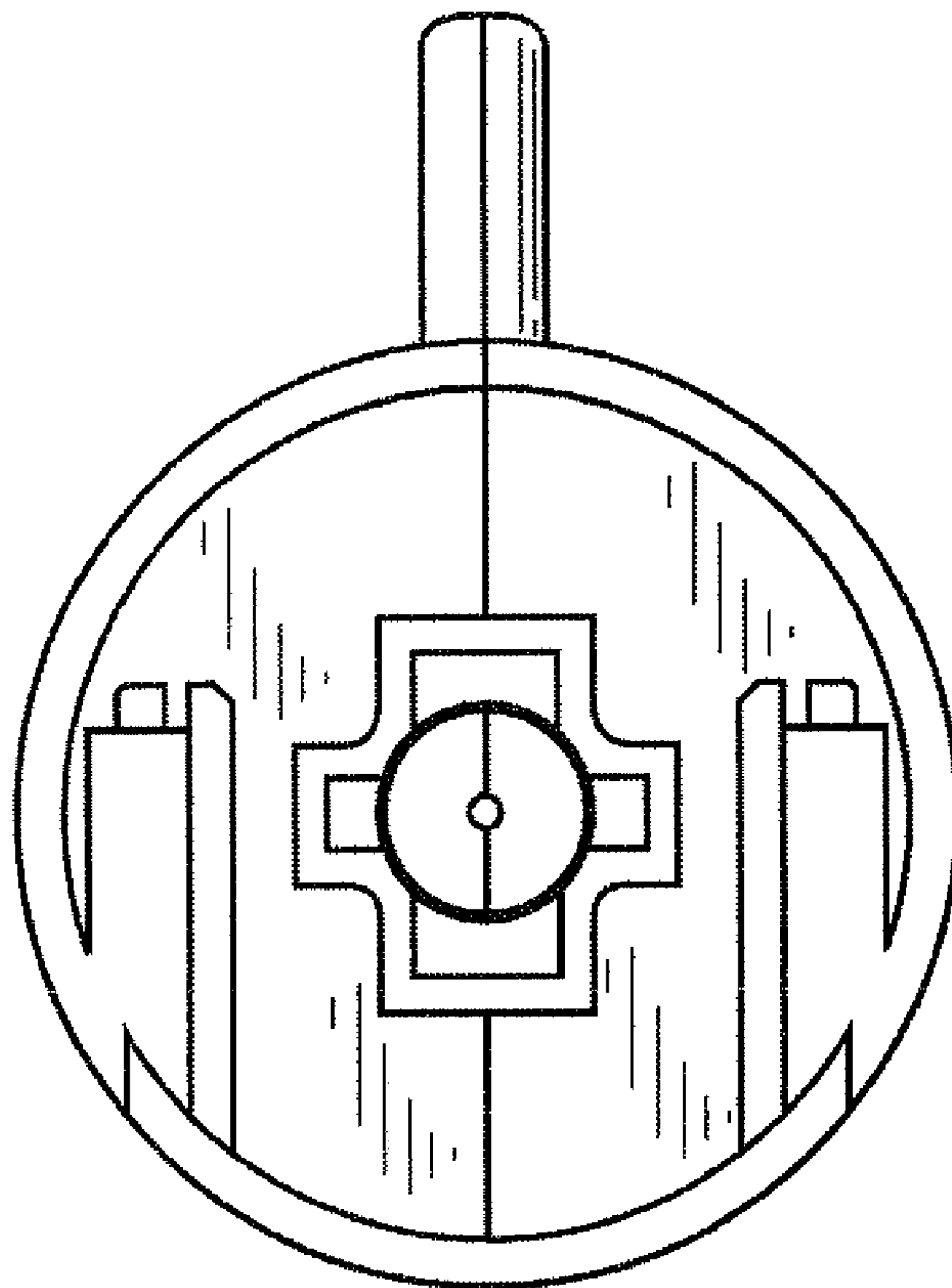


FIG.7

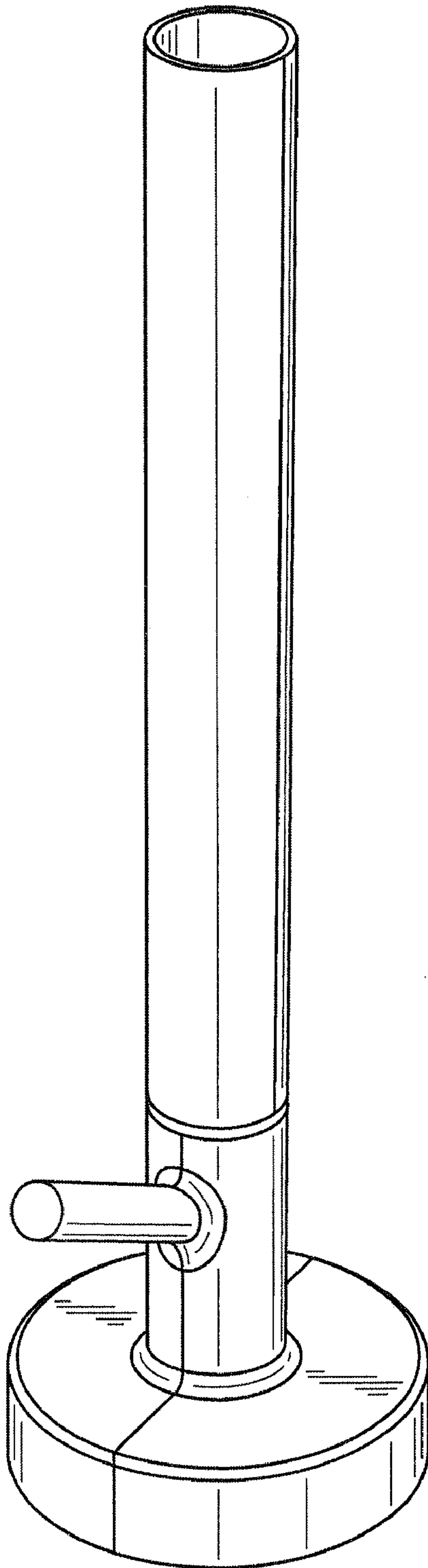




FIG.8

