



US00D571893S

(12) **United States Design Patent**
Celli

(10) **Patent No.:** **US D571,893 S**

(45) **Date of Patent:** **** Jun. 24, 2008**

(54) **FAUCET**

D517,652 S * 3/2006 Egli et al. D23/238

D533,634 S * 12/2006 Lord et al. D23/238

(75) Inventor: **Marco Celli**, Rimini (IT)

(73) Assignee: **Electrolux Home Products Corporation N.V.**, Zaventem (BE)

* cited by examiner

(**) Term: **14 Years**

Primary Examiner—Robert A Delehanty

(74) *Attorney, Agent, or Firm*—Pearne & Gordon LLP

(21) Appl. No.: **29/249,370**

(57) **CLAIM**

(22) Filed: **Oct. 4, 2006**

The ornamental design for faucet, as shown and described.

(30) **Foreign Application Priority Data**

Apr. 5, 2006 (IT) RA2006O0006

DESCRIPTION

(51) **LOC (8) Cl.** **23-02**

(52) **U.S. Cl.** **D23/238**

(58) **Field of Classification Search** D23/238–243,
D23/250–257; 4/675–678; 137/801
See application file for complete search history.

FIG. 1 is a right side view of faucet showing my new design.

FIG. 2 is a front view of faucet showing my new design; and,

FIG. 3 is a top view of faucet showing my new design.

The broken lines showing of hoses, mounting surfaces and handle are for illustrative purposes only and forms no part of the claimed design.

(56) **References Cited**

U.S. PATENT DOCUMENTS

D466,979 S * 12/2002 Shulz D23/238

1 Claim, 1 Drawing Sheet

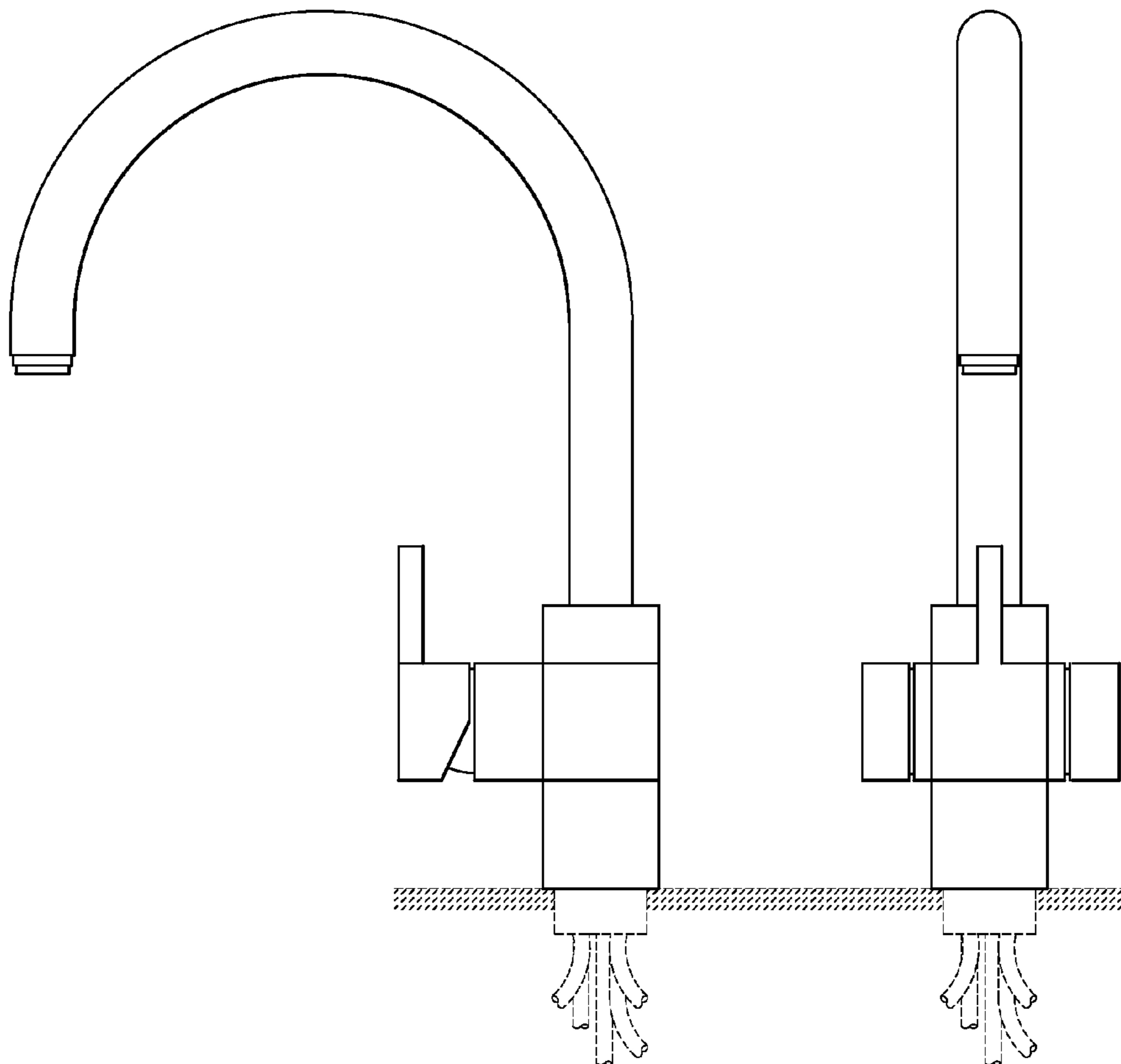


FIG. 1

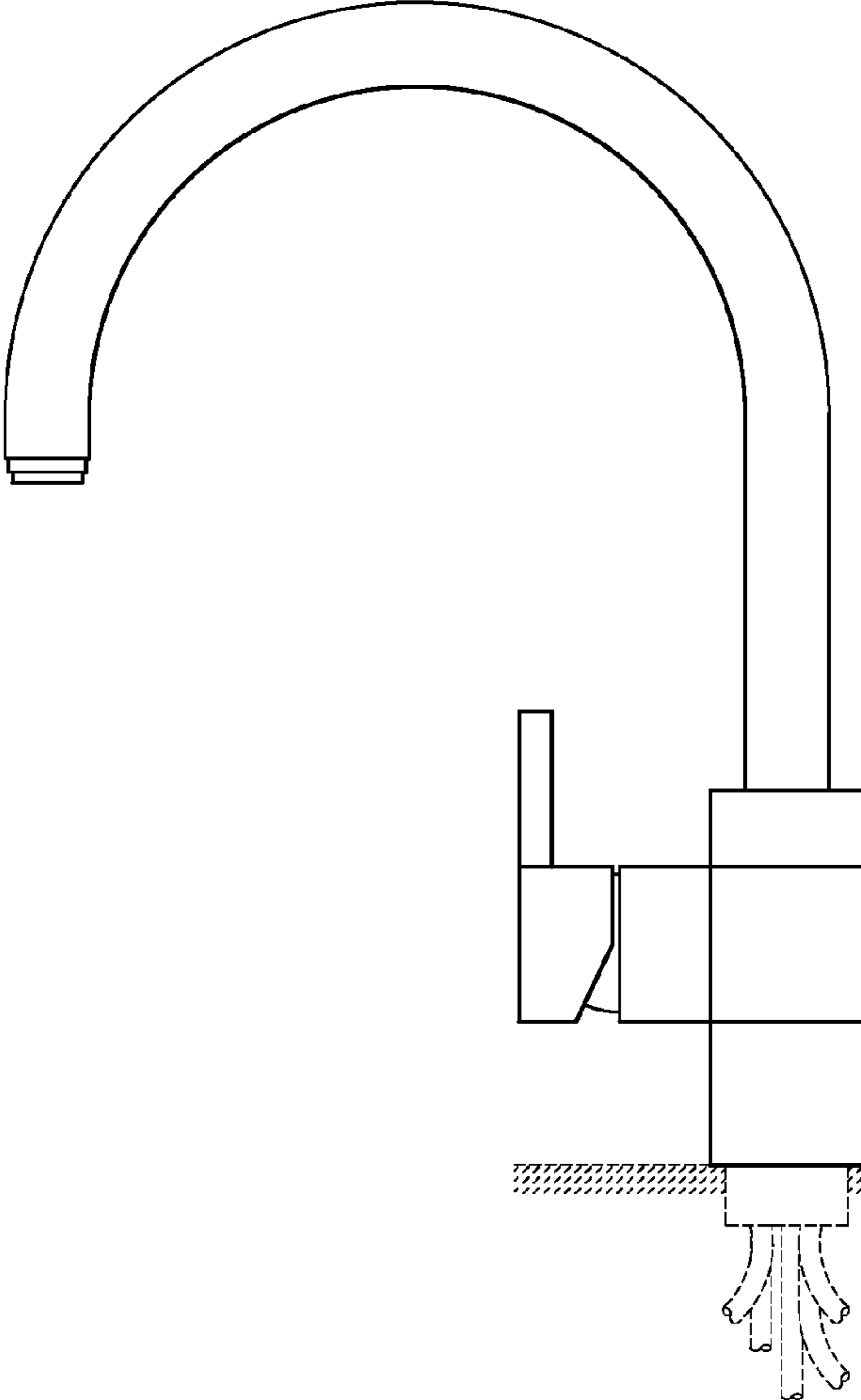


FIG. 2

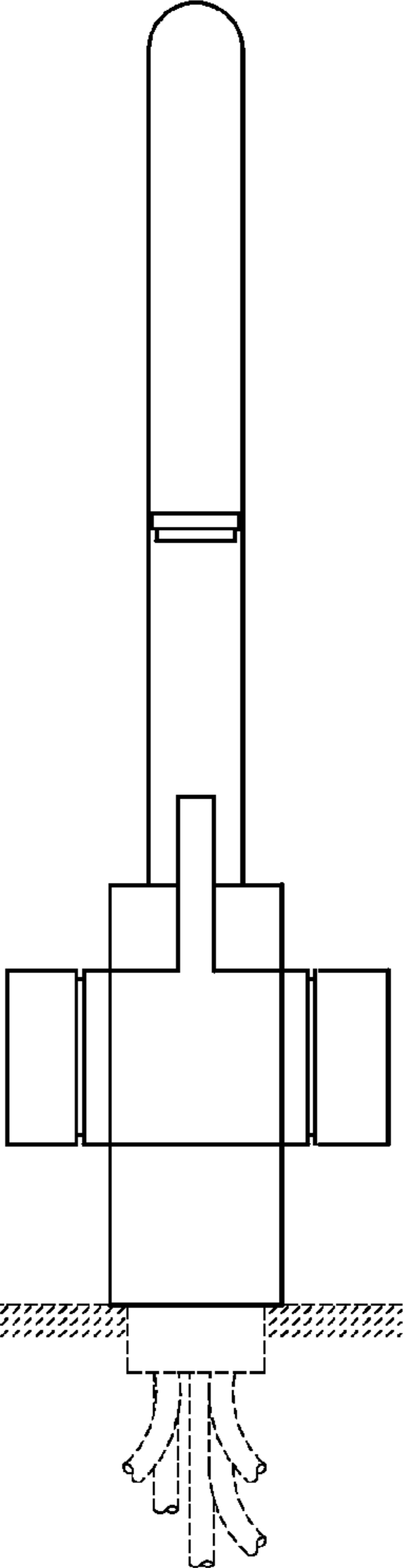


FIG. 3

