



US00D571892S

(12) **United States Design Patent**  
**Liang**

(10) **Patent No.:** **US D571,892 S**

(45) **Date of Patent:** **\*\* Jun. 24, 2008**

(54) **SPRITZING HELICOPTER**

(75) Inventor: **Fu-Chen Liang**, Taipei (TW)

(73) Assignee: **Professional Brass Ent Co.**, Taipei (TW)

(\*\*) Term: **14 Years**

(21) Appl. No.: **29/282,364**

(22) Filed: **Jul. 18, 2007**

(51) **LOC (8) Cl.** ..... **23-01**

(52) **U.S. Cl.** ..... **D23/215**

(58) **Field of Classification Search** ..... D23/214,  
D23/215, 217; 239/211, 748; D21/442  
See application file for complete search history.

(56) **References Cited**

**U.S. PATENT DOCUMENTS**

- D188,884 S \* 9/1960 Nelson et al. .... D23/215
- 3,664,367 A \* 5/1972 Schaefer, Jr. .... 239/748
- D355,477 S \* 2/1995 Yang ..... D23/215
- 5,419,494 A \* 5/1995 Harwood ..... 239/211

- D414,255 S \* 9/1999 Wu ..... D23/367
- D441,831 S \* 5/2001 Heren et al. .... D23/215
- D545,755 S \* 7/2007 Van de Rostyne et al. .. D12/327

\* cited by examiner

*Primary Examiner*—Robin V Webster

(57) **CLAIM**

The ornamental design for a spritzing helicopter, as shown and described.

**DESCRIPTION**

FIG. 1 is a perspective view of a spritzing helicopter showing my new design

FIG. 2 is a front elevational view thereof

FIG. 3 is a rear elevational view thereof.

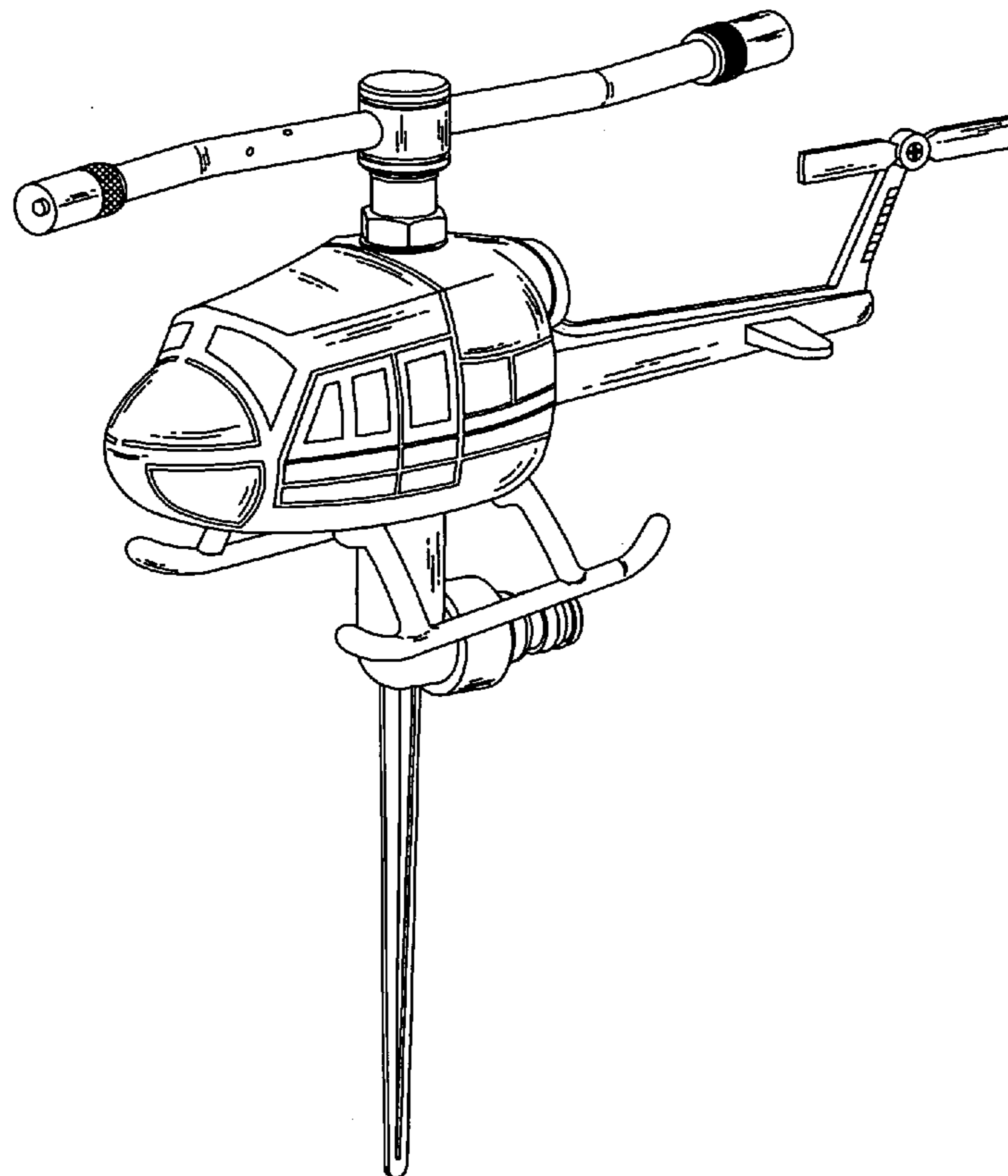
FIG. 4 is a left side view thereof

FIG. 5 is a right side view thereof

FIG. 6 is a top plan view thereof; and,

FIG. 7 is a bottom plan view thereof.

**1 Claim, 7 Drawing Sheets**



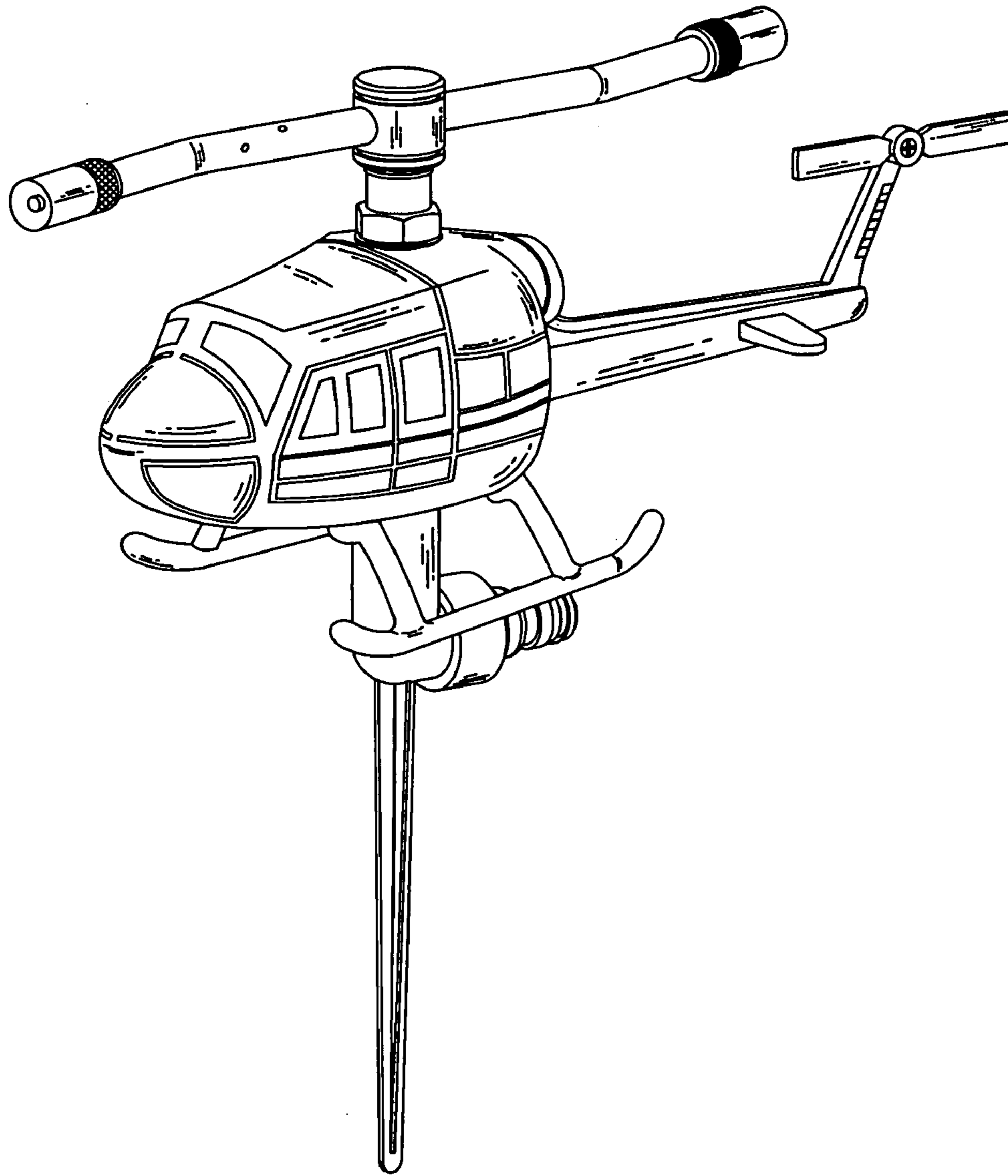


FIG.1

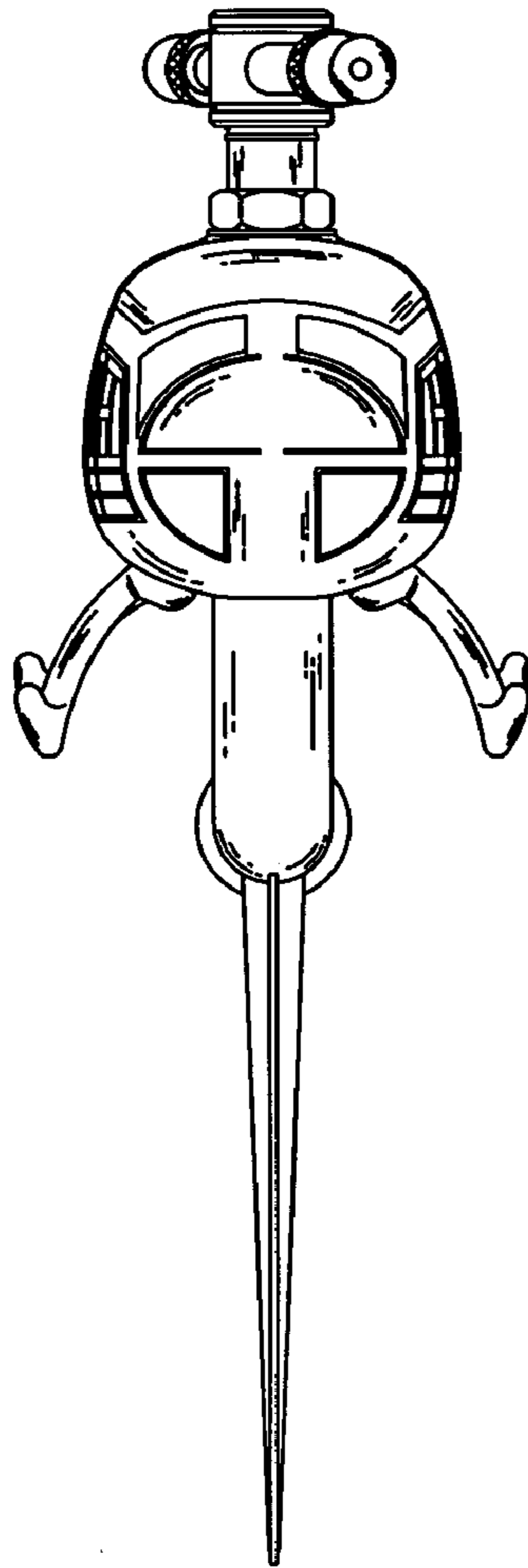


FIG.2

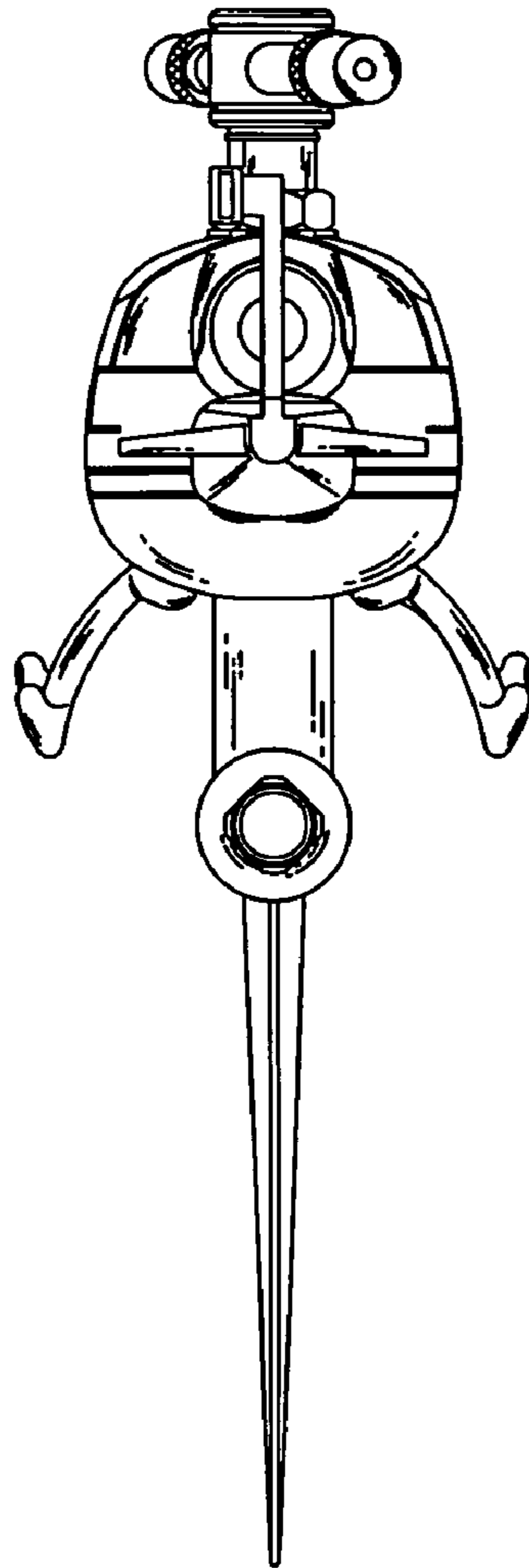


FIG.3

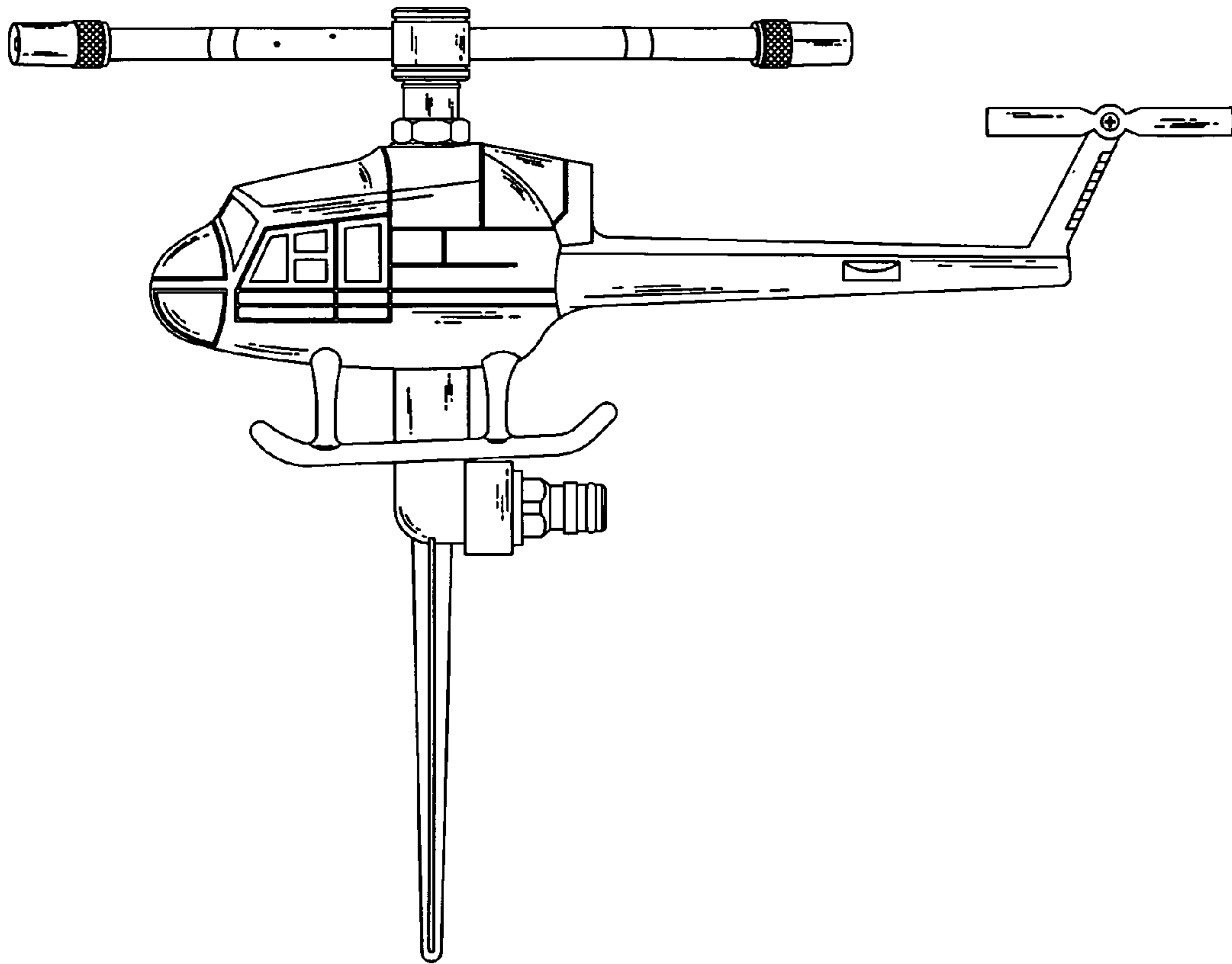


FIG.4

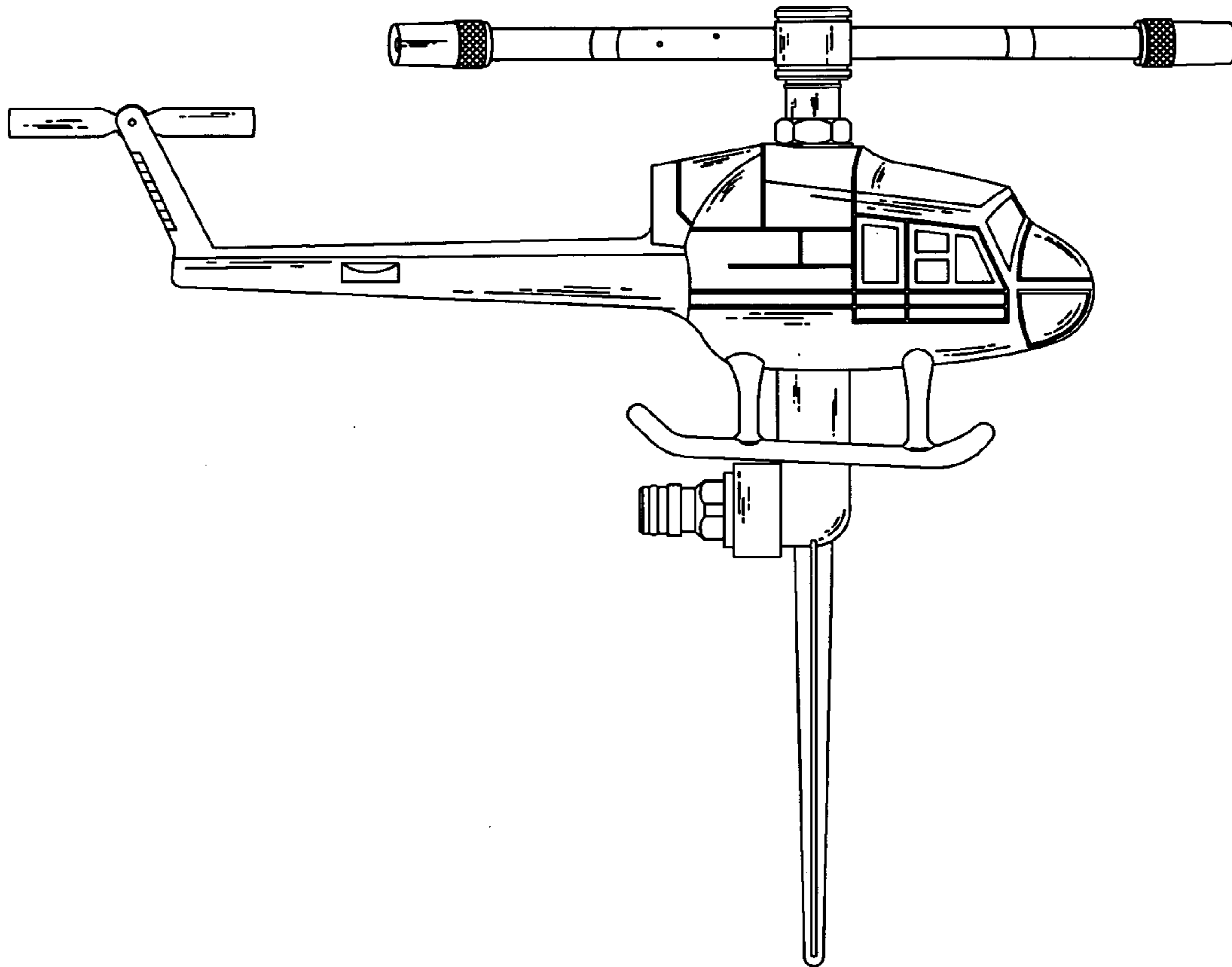


FIG.5

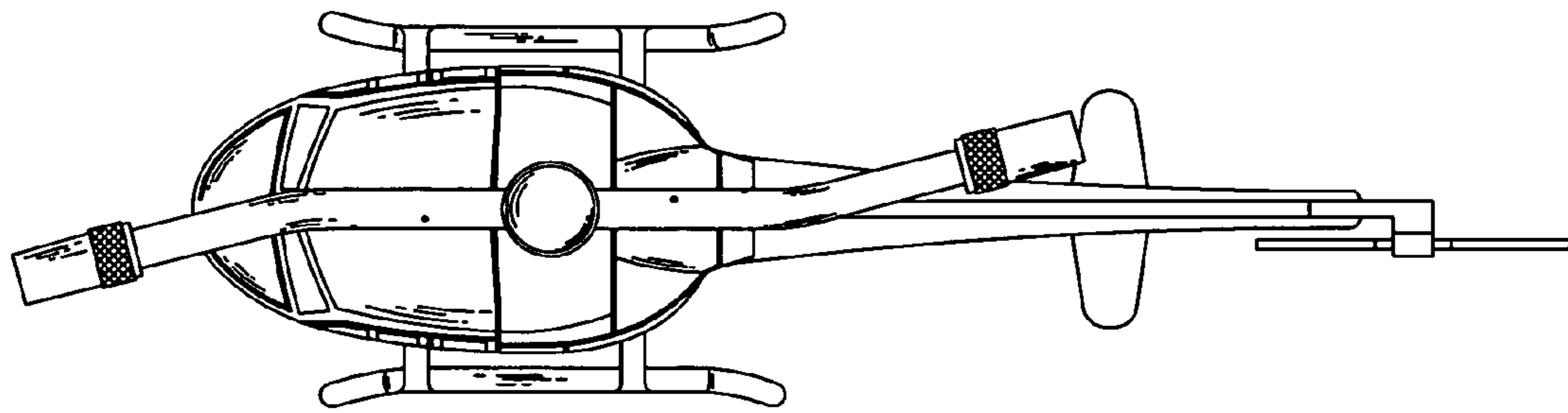


FIG.6

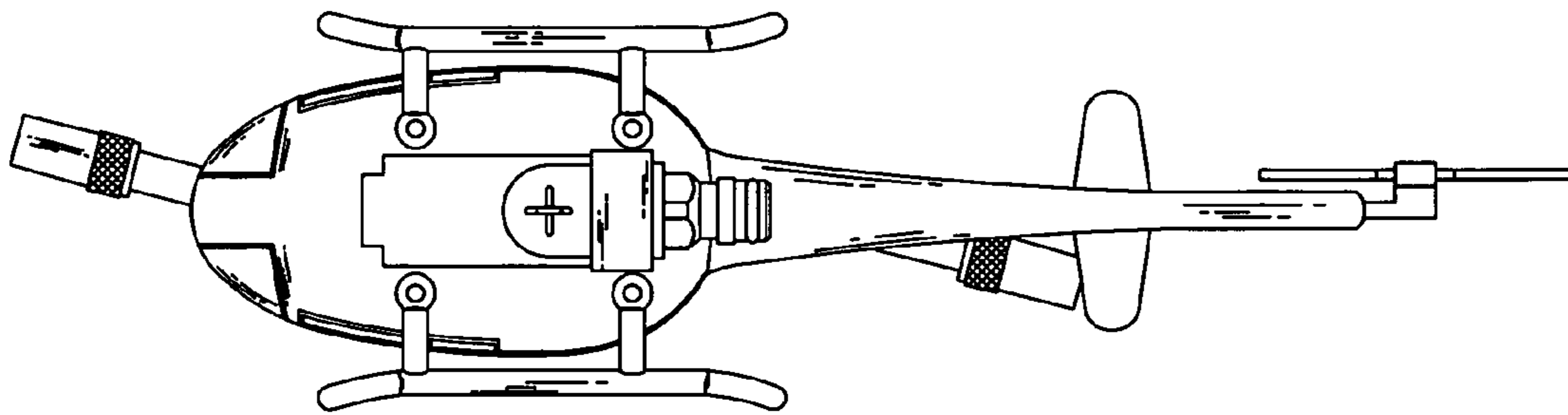


FIG.7