



US00D571891S

(12) **United States Design Patent**
Mihlbauer et al.

(10) **Patent No.:** **US D571,891 S**
(45) **Date of Patent:** **** Jun. 24, 2008**

(54) **AQUARIUM FILTER ASSEMBLY**

(75) Inventors: **Brad L. Mihlbauer**, Mukwonago, WI (US); **David R. Troop, II**, Kenosha, WI (US); **Lonnie Austin Ready**, West Columbia, SC (US); **Giacomo Guoli**, Milan (IT); **Fabio Bellia**, Trebaseleghe (IT)

(73) Assignee: **Newa Tecno Industria S.R.L.** (IT)

(**) Term: **14 Years**

(21) Appl. No.: **29/278,646**

(22) Filed: **Apr. 5, 2007**

(30) **Foreign Application Priority Data**

May 10, 2006 (IT) PD 2006 A 000367
Aug. 3, 2007 (EP) 07103798

(51) **LOC (8) Cl.** **23-01**

(52) **U.S. Cl.** **D23/210**

(58) **Field of Classification Search** D23/209,
D23/210; 210/167.27, 167.25, 484, 485
See application file for complete search history.

(56) **References Cited**

U.S. PATENT DOCUMENTS

- 4,735,715 A 4/1988 Willinger
- 4,761,227 A 8/1988 Willinger et al.
- 4,842,727 A 6/1989 Balian et al.
- 4,880,549 A 11/1989 Willinger et al.
- 4,997,559 A 3/1991 Ellis et al.
- D317,966 S * 7/1991 Willinger D23/210
- 5,053,125 A 10/1991 Willinger et al.
- 5,176,824 A 1/1993 Willinger et al.
- 5,228,986 A 7/1993 Ellis et al.
- D353,649 S 12/1994 Willinger et al.
- 5,397,463 A 3/1995 Woltmann
- 5,423,978 A 6/1995 Snyder et al.
- 5,728,293 A 3/1998 Guoli et al.
- D441,289 S * 5/2001 Ramon et al. D9/439
- D460,996 S 7/2002 Carley et al.

- D462,739 S 9/2002 Carley et al.
- D468,393 S 1/2003 Agresta et al.
- D473,828 S * 4/2003 Leazenby D12/163
- 6,692,637 B2 2/2004 Fox et al.
- 6,706,176 B1 3/2004 Goldman
- D494,251 S 8/2004 Fox, Jr. et al.
- 6,797,163 B2 9/2004 Carley et al.
- D505,711 S * 5/2005 Wu D23/210
- 2004/0238426 A9 12/2004 Fox et al.
- 2005/0284397 A1 12/2005 Carley et al.
- 2006/0000755 A1 1/2006 Carley et al.

OTHER PUBLICATIONS

Eclipse Aquarium Systems, Owner's Manual, System 3, System Six, System Twelve, Marineland Aquarium Products, Oct. 2000.
Eclipse— The Filtration & Illumination System, Owner's Manual, Eclipse₁, Eclipse₂, Eclipse₃, Marineland Aquarium Products, Mar. 2000.

* cited by examiner

Primary Examiner—Robin V Webster

(74) *Attorney, Agent, or Firm*—Andrus, Scales, Starke & Sawall, LLP

(57) **CLAIM**

The ornamental design for an aquarium filter assembly, as shown and described.

DESCRIPTION

FIG. 1 is an isometric view of an aquarium filter assembly incorporating our new design;

FIG. 2 is an enlarged view of the aquarium filter assembly of FIG. 1;

FIG. 3 is a front elevation view thereof;

FIG. 4 is a top plan view thereof;

FIG. 5 is a left side elevation view thereof;

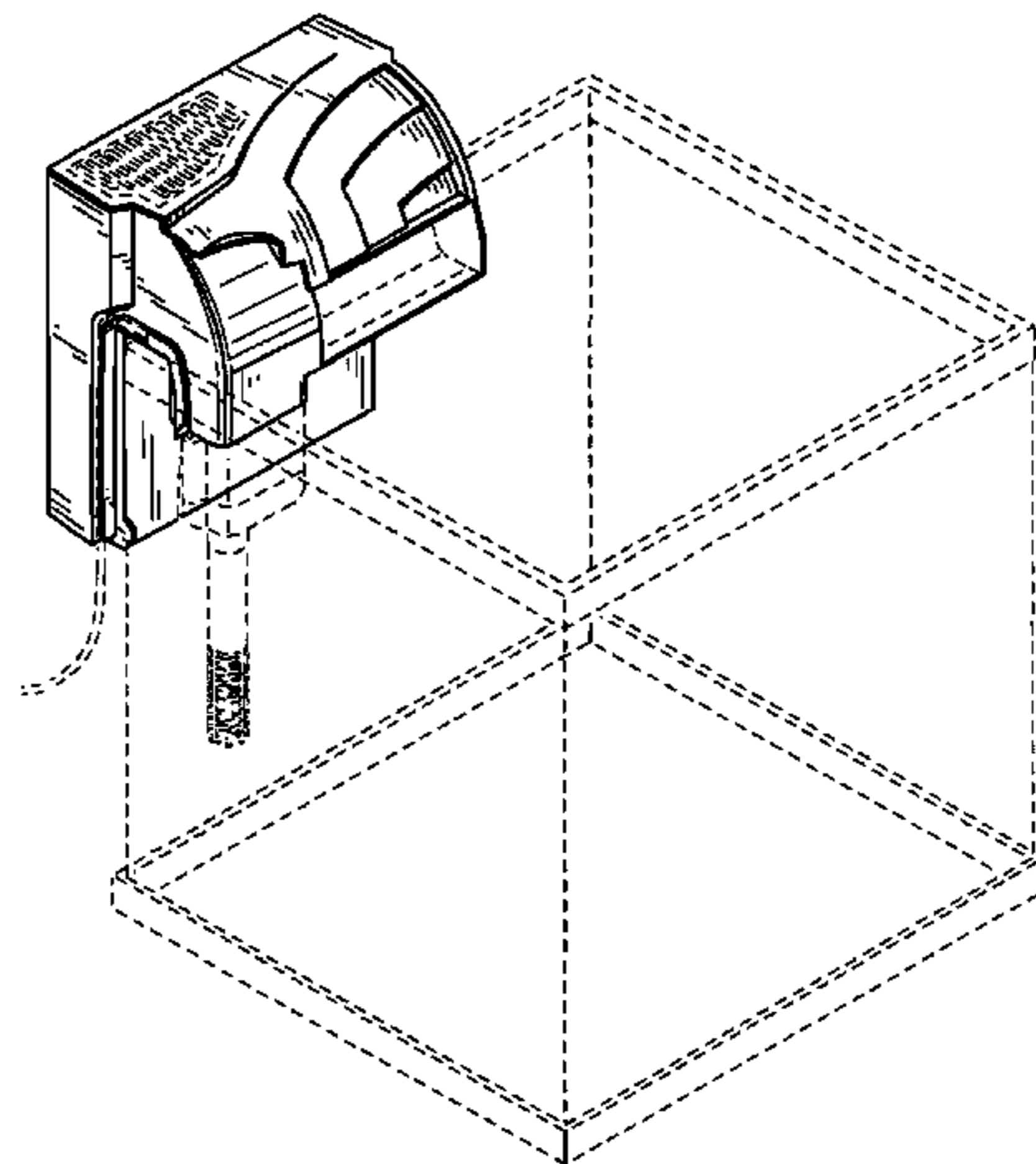
FIG. 6 is a right side elevation view thereof;

FIG. 7 is a rear elevation view thereof; and,

FIG. 8 is a bottom plan view thereof.

The broken lines are for illustration only, and form no part of the claimed design.

1 Claim, 4 Drawing Sheets



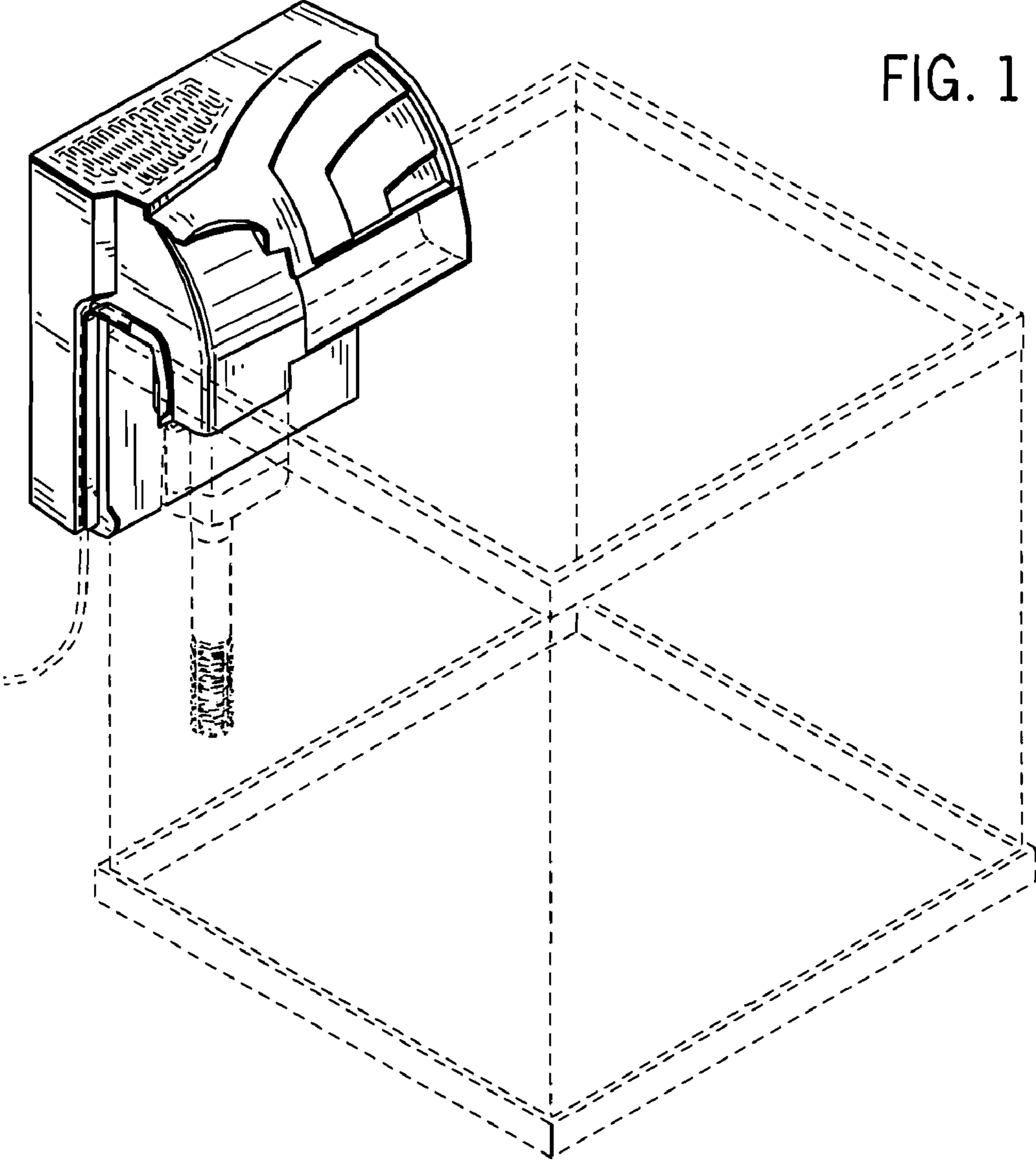


FIG. 1

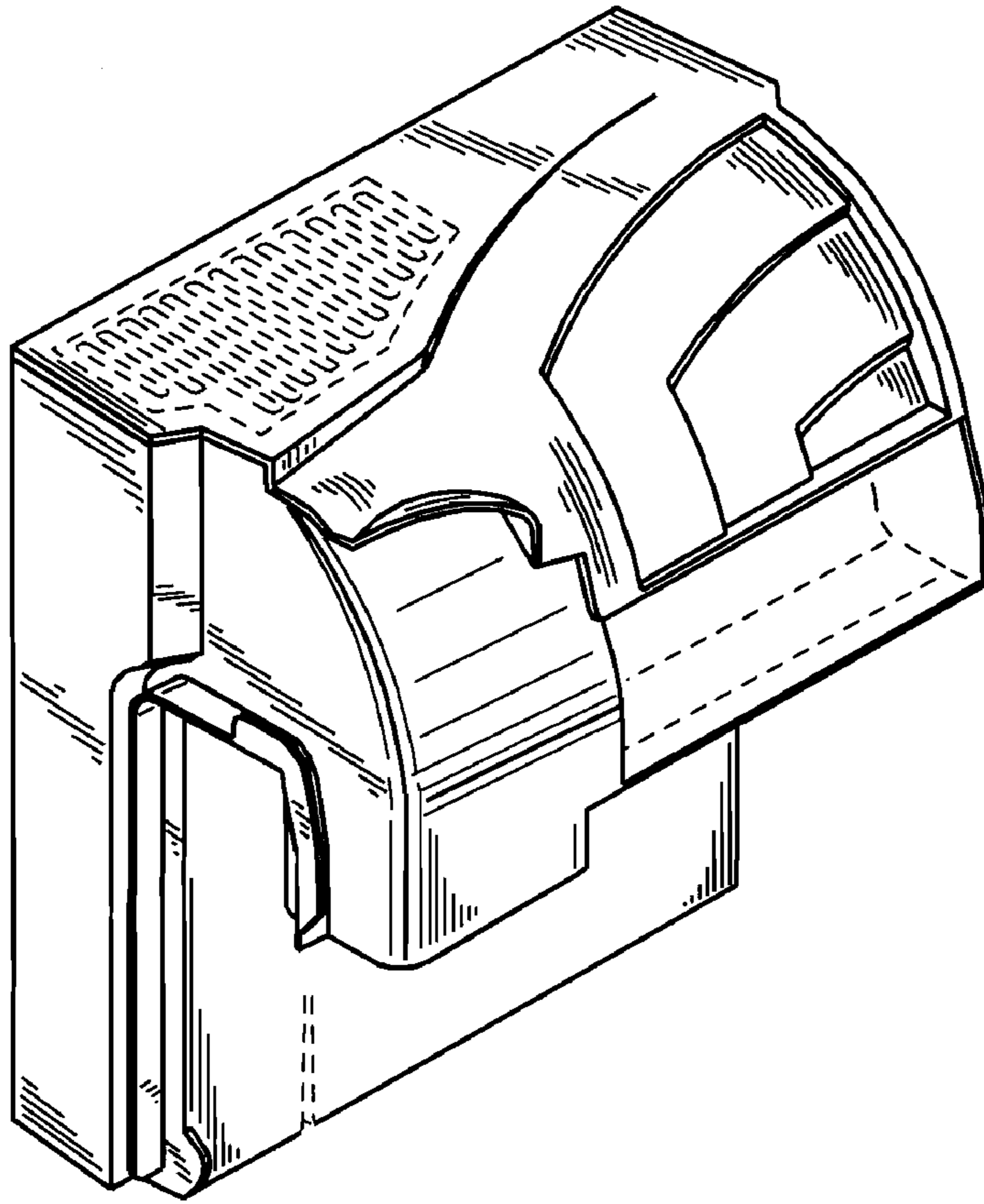


FIG. 2

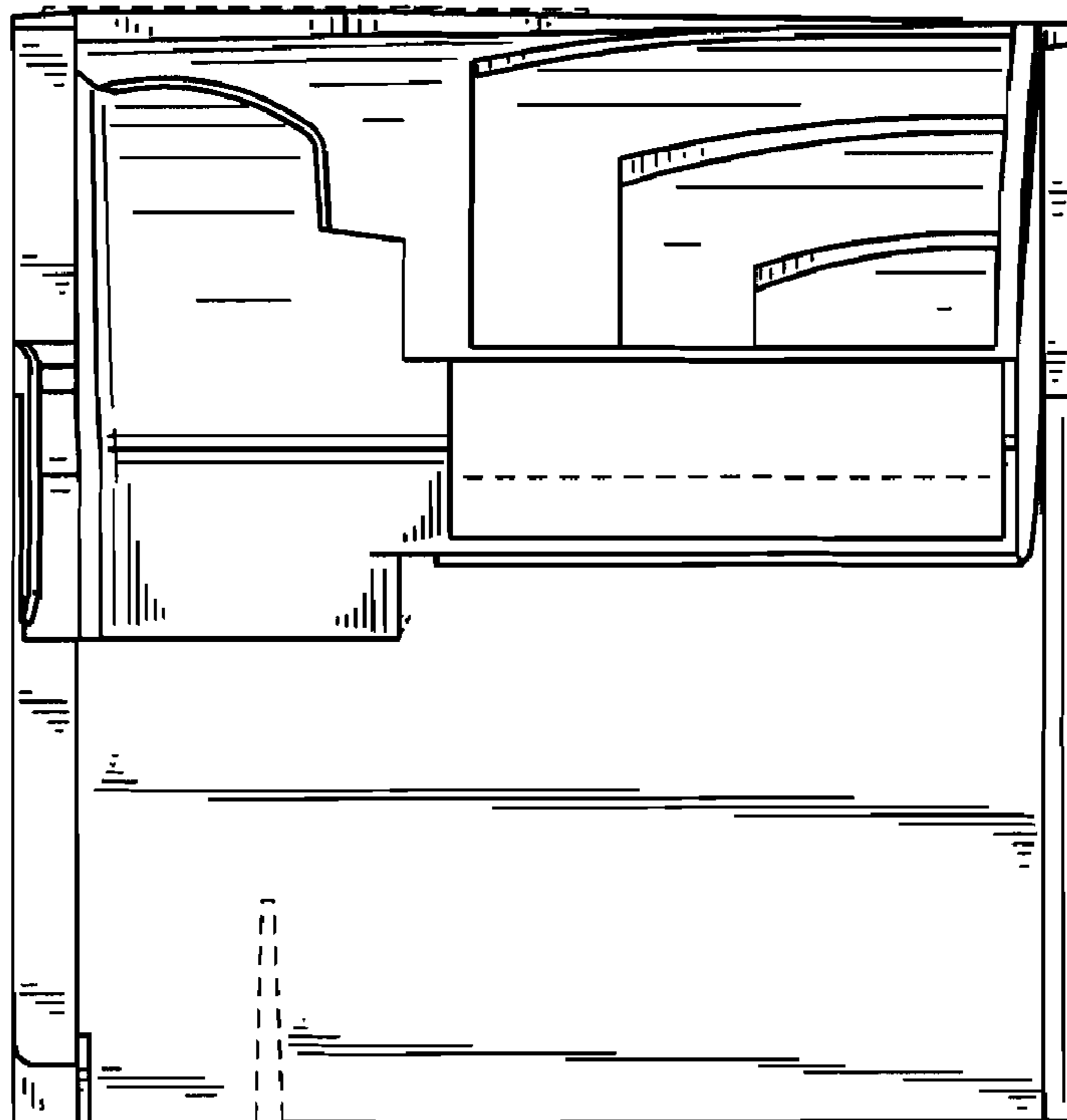


FIG. 3

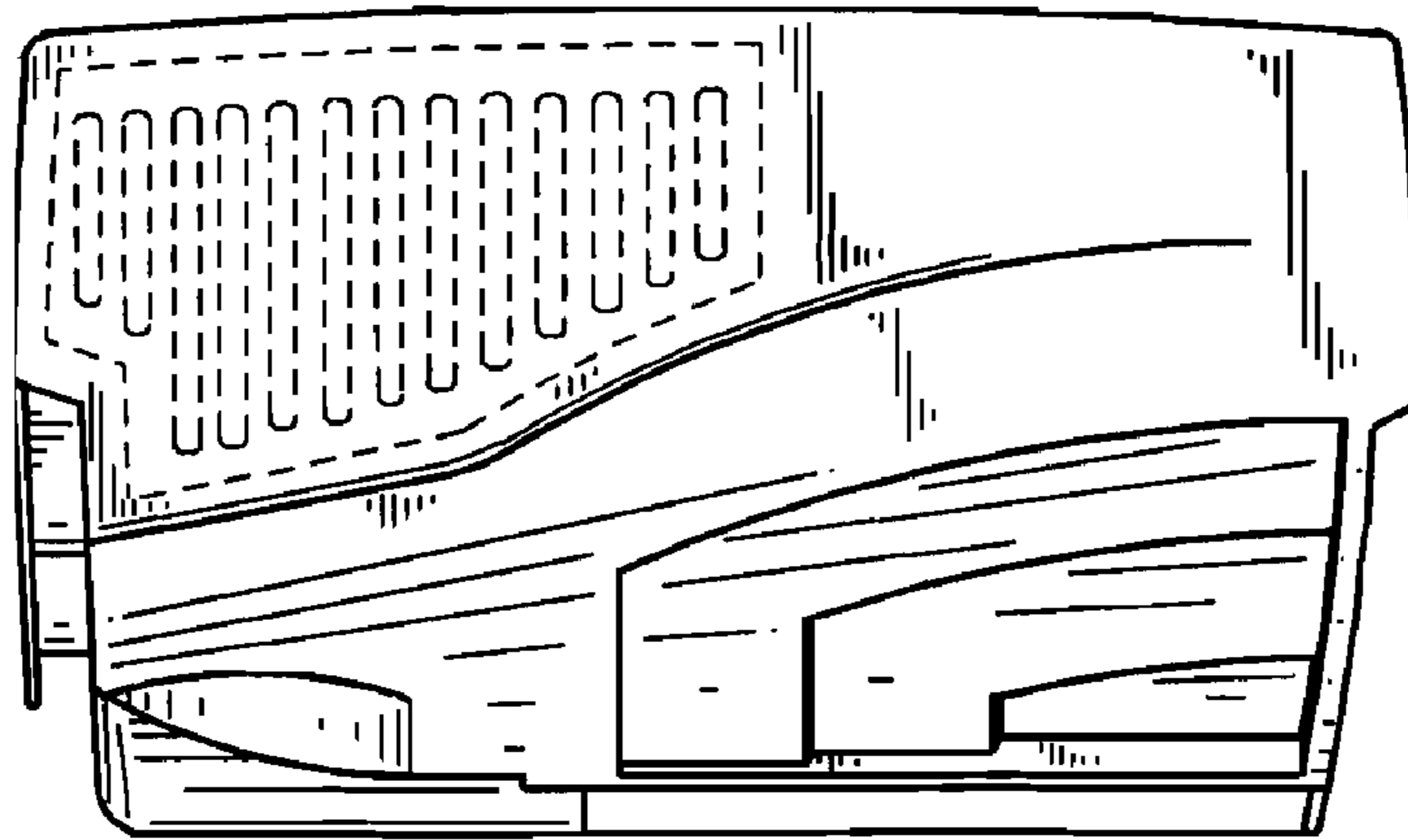


FIG. 4

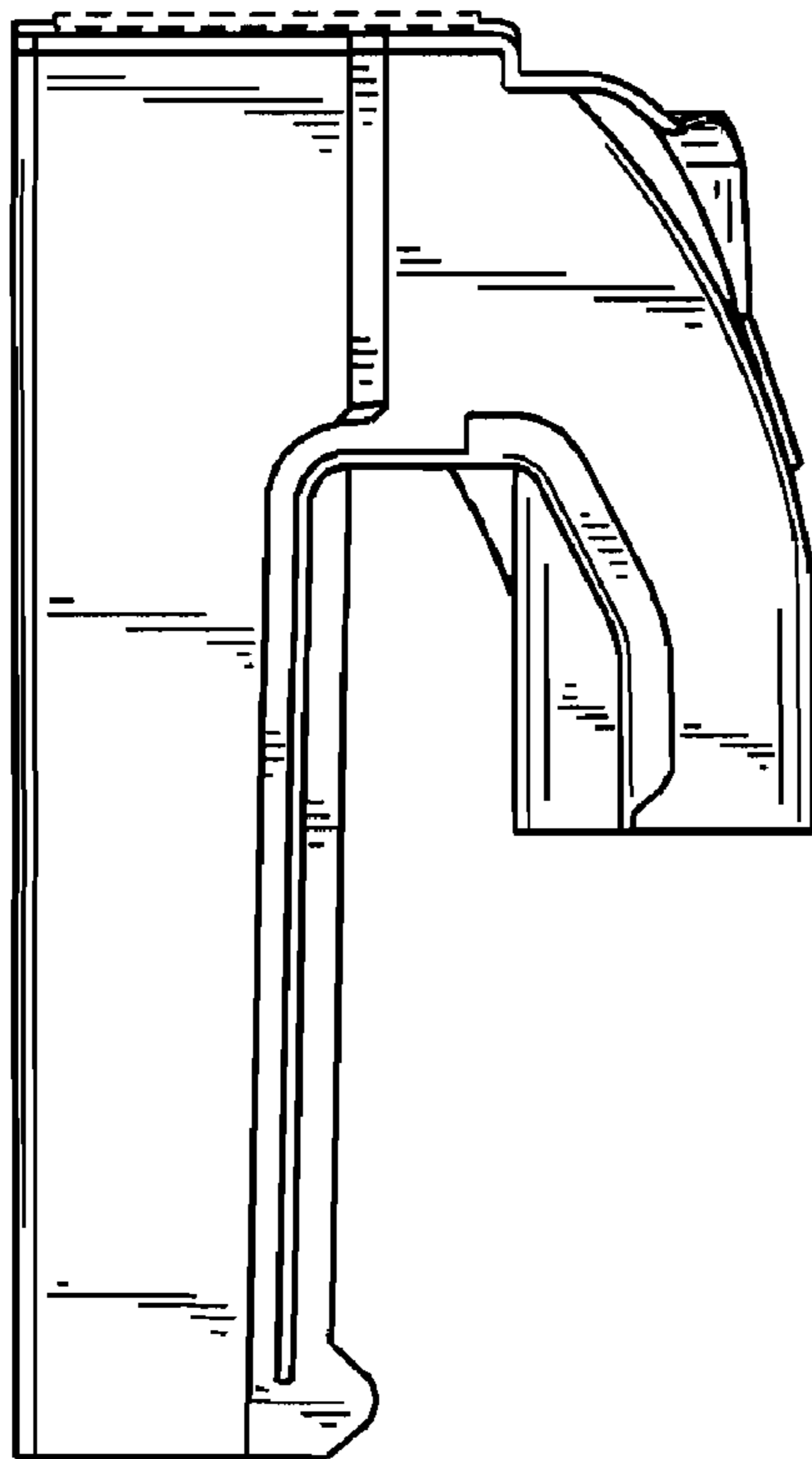


FIG. 5

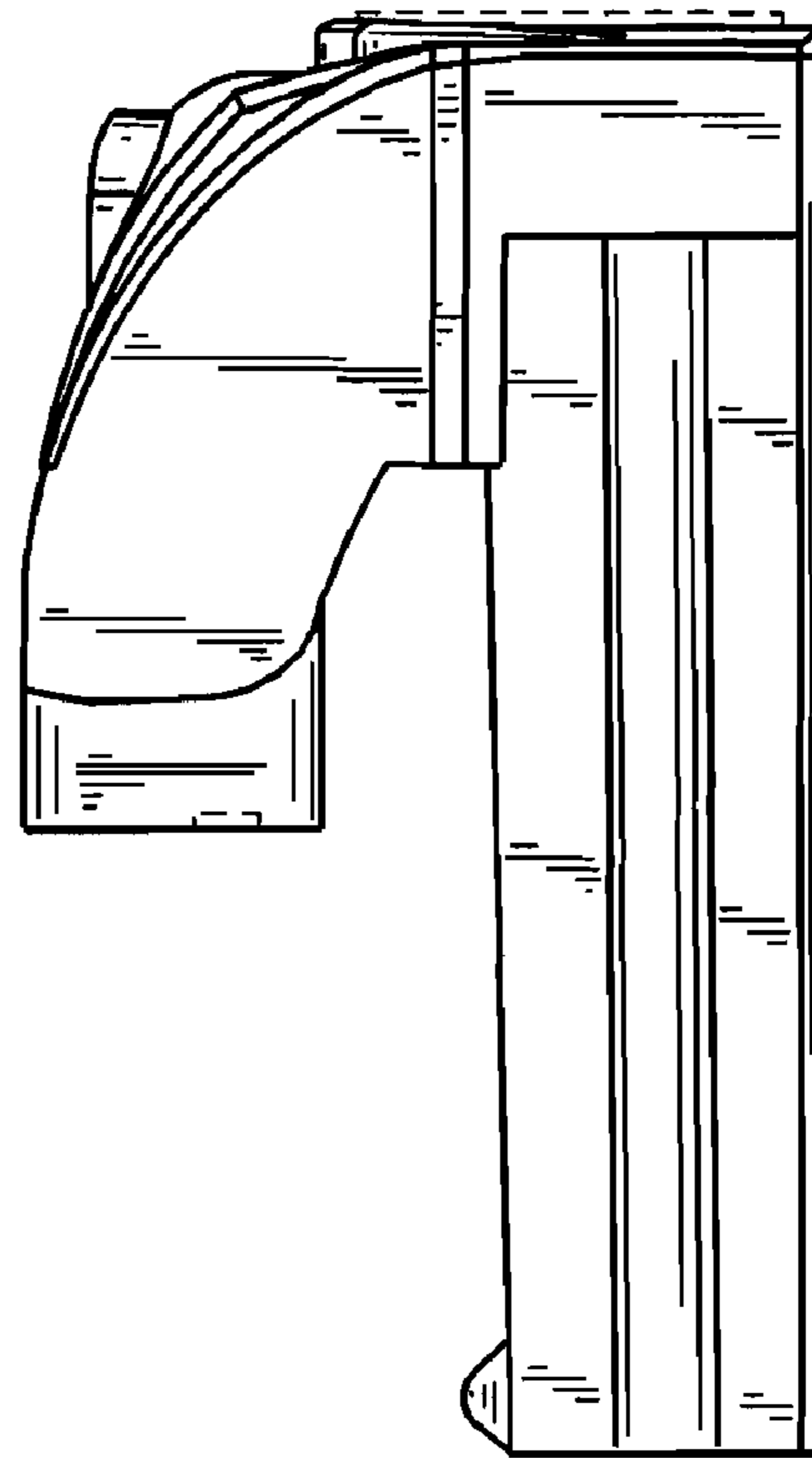


FIG. 6

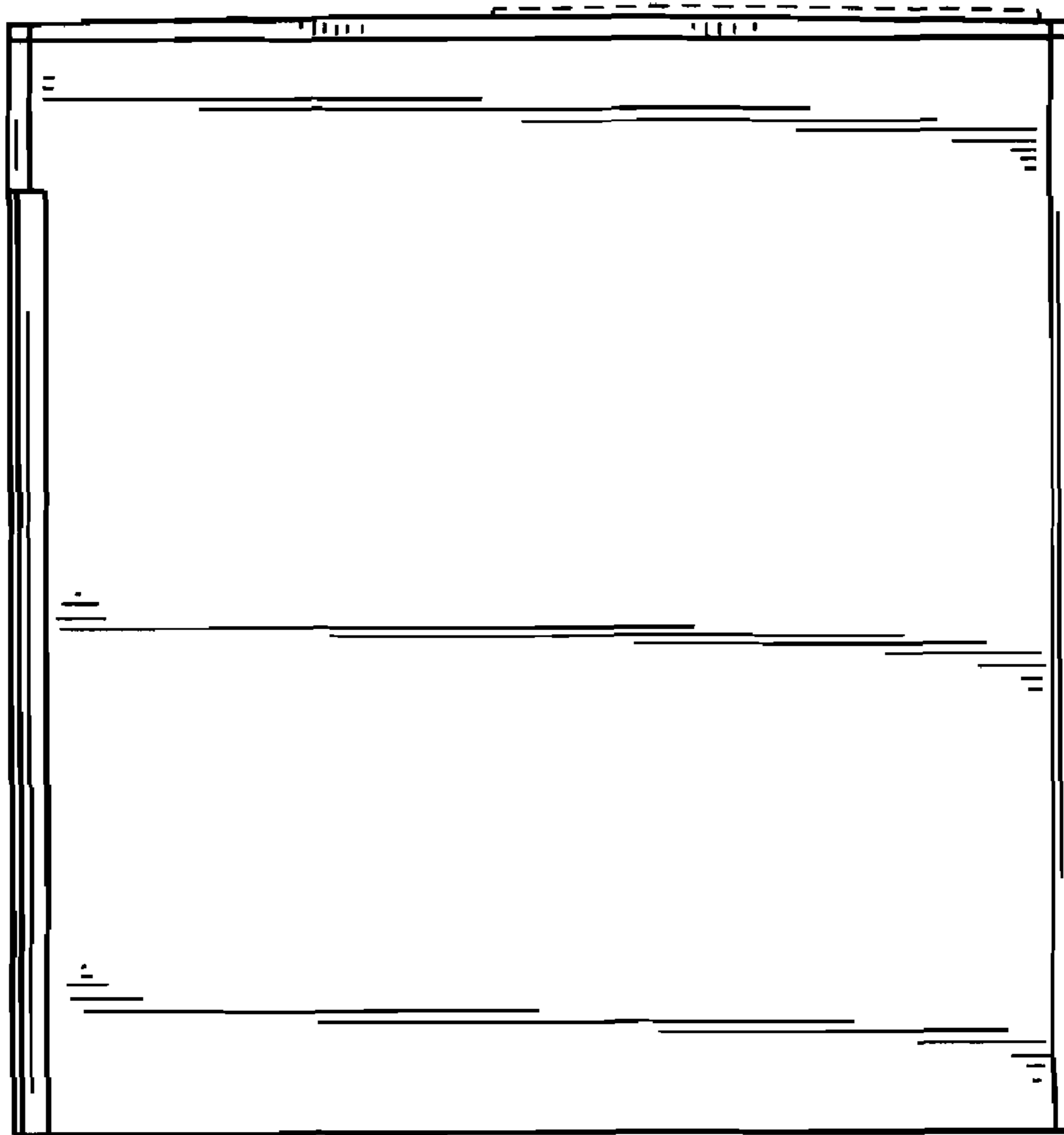


FIG. 7

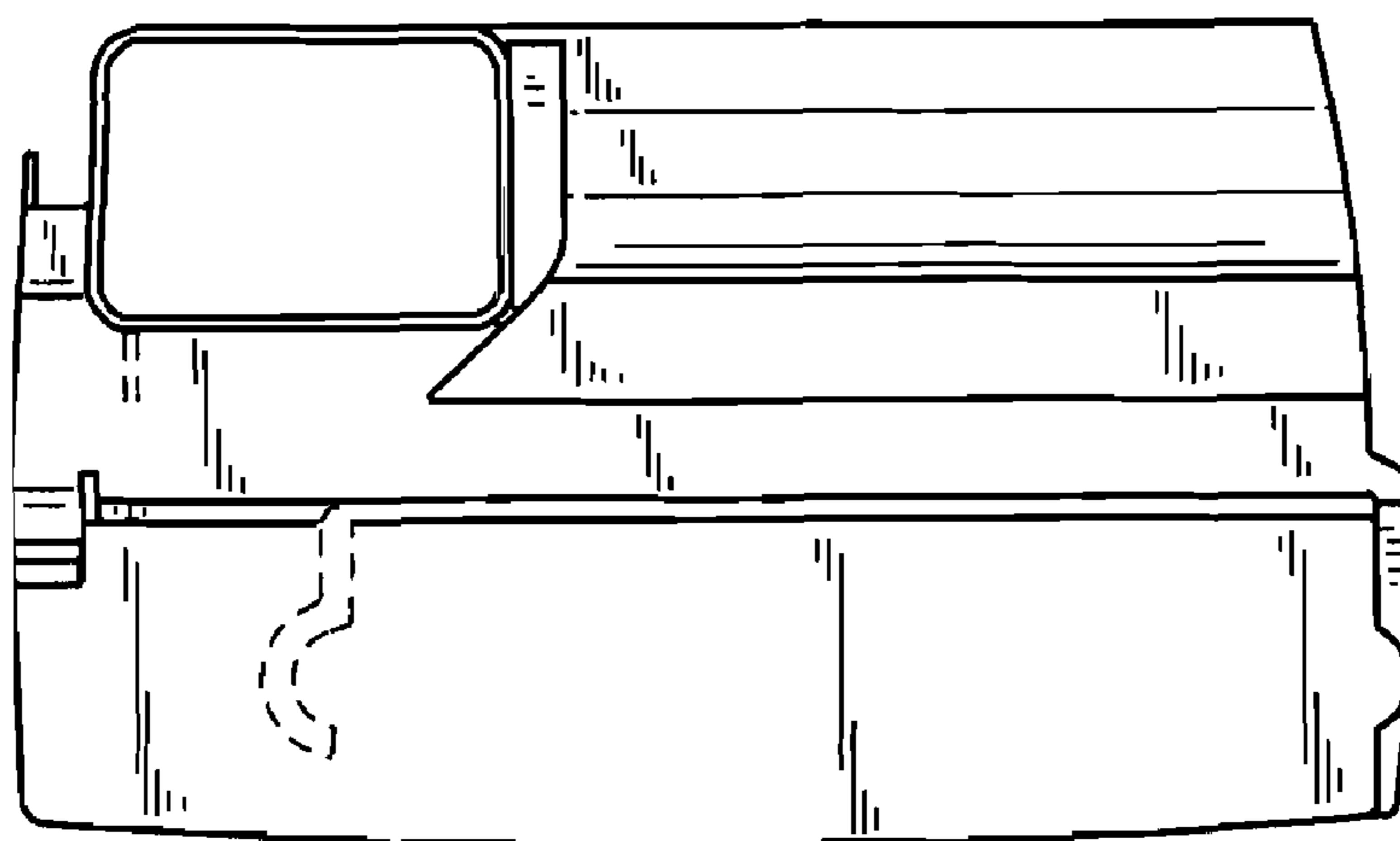


FIG. 8