



US00D571889S

(12) **United States Design Patent**  
**Goransson**

(10) **Patent No.:** **US D571,889 S**  
(45) **Date of Patent:** **\*\* Jun. 24, 2008**

(54) **PLAY SWING DEVICE**

(75) Inventor: **Bo Goransson**, Aneby (SE)

(73) Assignee: **Hags Aneby AB**, Aneby (SE)

(\*\*) Term: **14 Years**

(21) Appl. No.: **29/281,152**

(22) Filed: **Jun. 15, 2007**

(51) **LOC (8) Cl.** ..... **21-03**

(52) **U.S. Cl.** ..... **D21/823**

(58) **Field of Classification Search** ..... D21/787,  
D21/811, 814, 823-827; 472/118-125; 482/35,  
482/36

See application file for complete search history.

(56) **References Cited**

U.S. PATENT DOCUMENTS

D146,665 S *	4/1947	Leber	.....	D21/823
3,130,969 A *	4/1964	Groth	.....	472/125
D260,109 S *	8/1981	Ahrens	.....	D21/823
D278,549 S *	4/1985	Kristich	.....	D21/823
D355,013 S *	1/1995	Schechner	.....	D6/347
6,348,028 B1 *	2/2002	Cragg	.....	482/148
D483,429 S *	12/2003	Tseng	.....	D21/823

\* cited by examiner

*Primary Examiner*—Mitchell I Siegel

(74) *Attorney, Agent, or Firm*—Polster Lieder Woodruff & Lucchesi, LC

(57) **CLAIM**

The ornamental design for a play swing device, as shown and described.

**DESCRIPTION**

FIG. 1 is perspective view of a play swing device having a frame and a swing member incorporating the design of the present invention;

FIG. 2 is a top perspective view of the design;

FIG. 3 is a bottom perspective view of the design;

FIG. 4 is a front elevational view of the design;

FIG. 5 is a side elevational view of the design;

FIG. 6 is a top plan view of the design;

FIG. 7 is an a bottom plan view of the design;

FIG. 8 is a perspective view of the swing member of the design, shown without the frame;

FIG. 9 is a top perspective view of the swing member of the design, shown without the frame;

FIG. 10 is a bottom perspective view of the swing member of the design, shown without the frame;

FIG. 11 is a front elevational view of the swing member of the design, shown without the frame;

FIG. 12 is a side elevational view of the swing member of the design, shown without the frame;

FIG. 13 is a top plan view of the swing member of the design, shown without the frame;

FIG. 14 is a bottom plan view of the swing member of the design, shown without the frame;

FIG. 15 is a perspective view of the frame of the design, shown without the swing member;

FIG. 16 is a top perspective view of the frame of the design, shown without the swing member;

FIG. 17 is a bottom perspective view of the frame of the design, shown without the swing member;

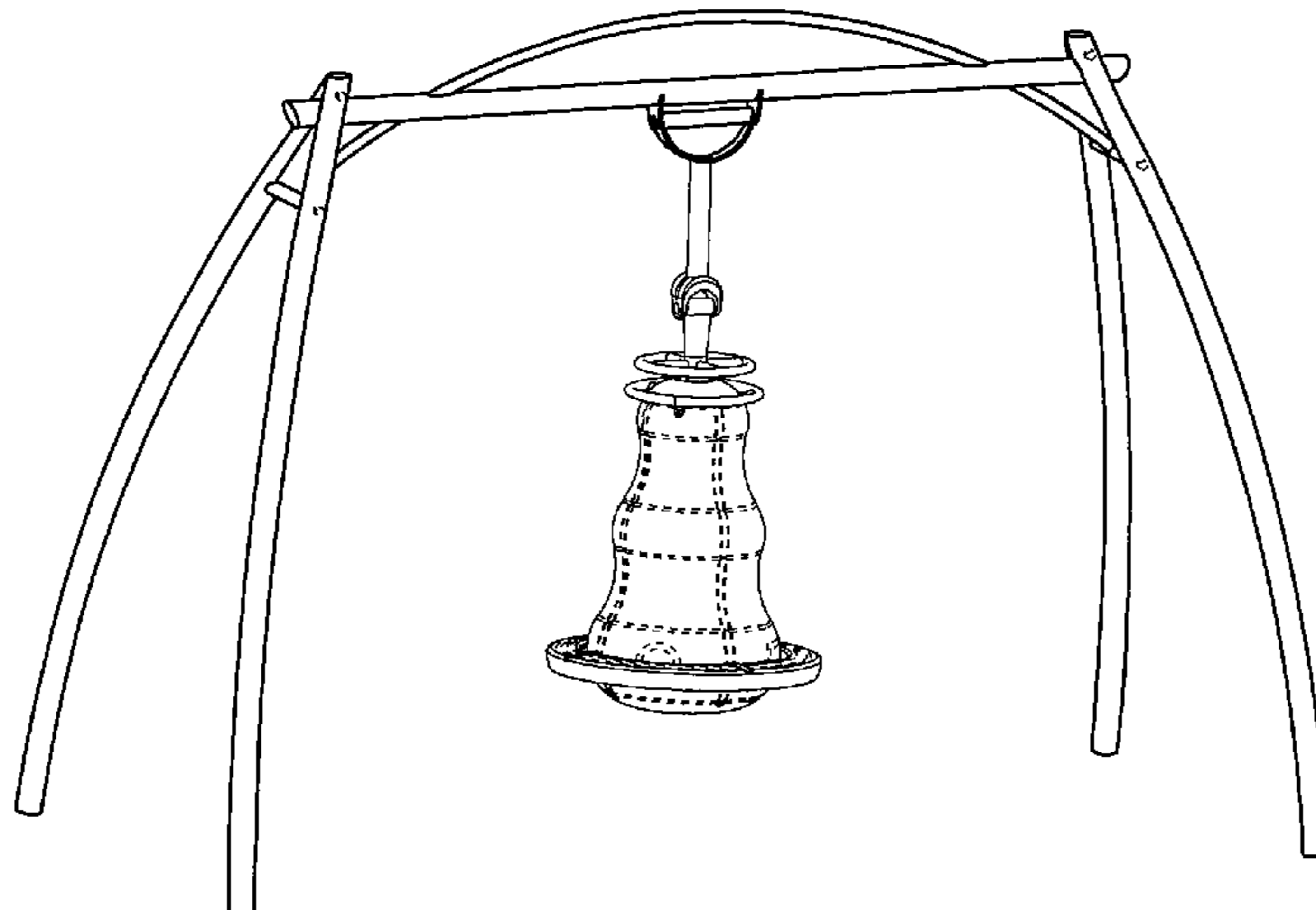
FIG. 18 is a side front view of the frame of the design, shown without the swing member;

FIG. 19 is a side elevational view of the frame of the design, shown without the swing member;

FIG. 20 is a top plan view of the frame of the design, shown without the swing member; and,

FIG. 21 is a bottom plan view of the frame of the design, shown without the swing member.

**1 Claim, 12 Drawing Sheets**



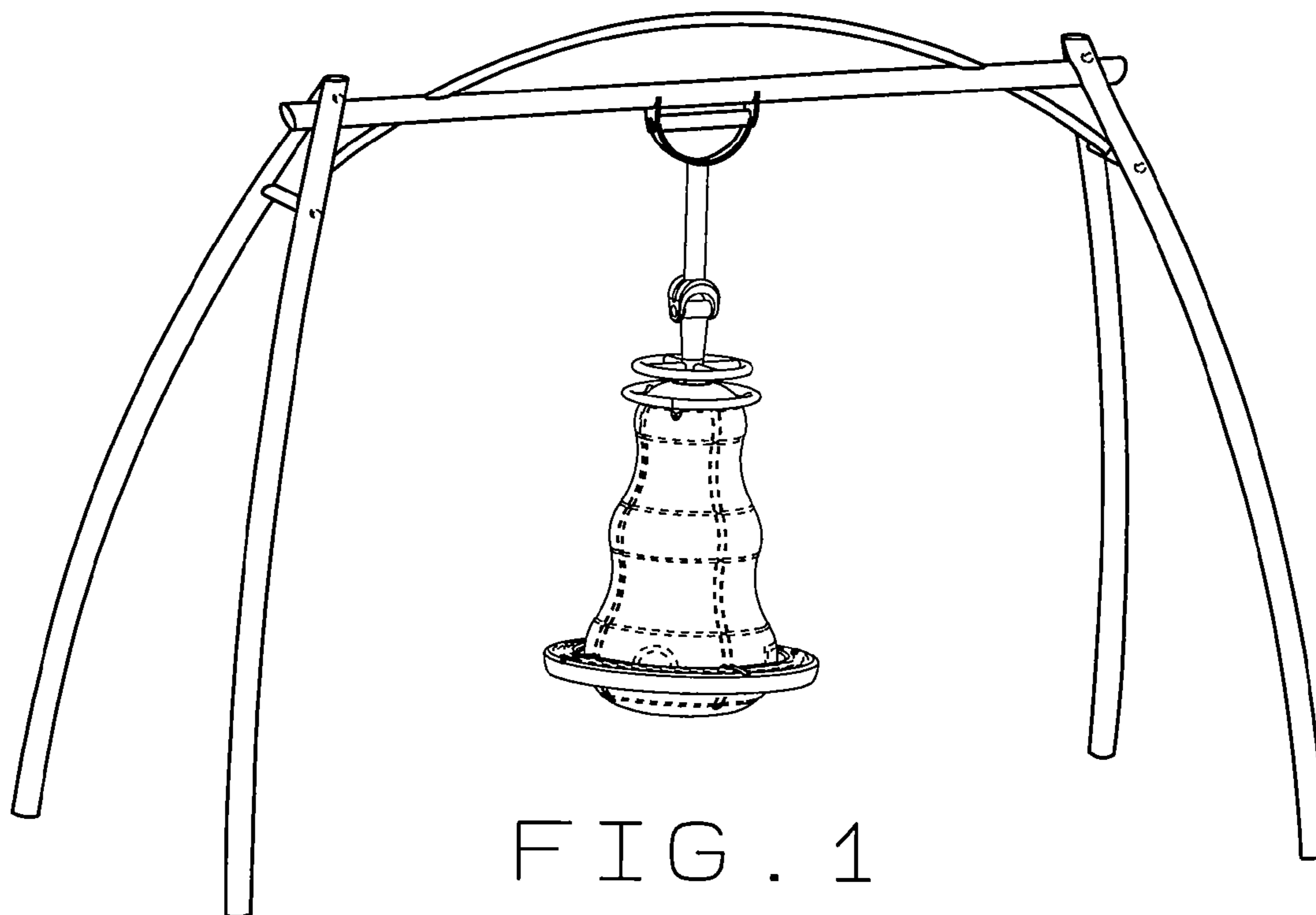


FIG. 1

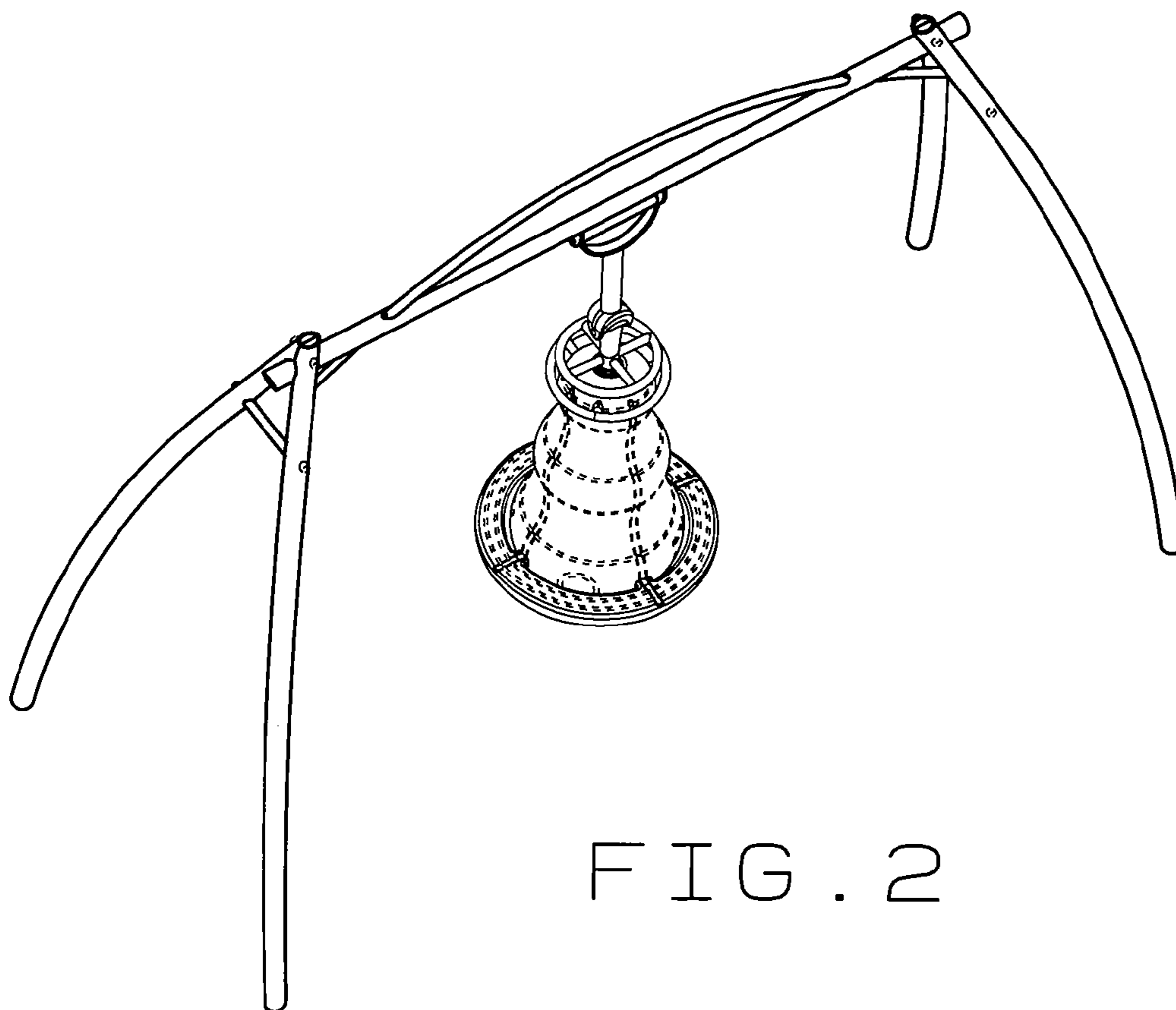


FIG. 2

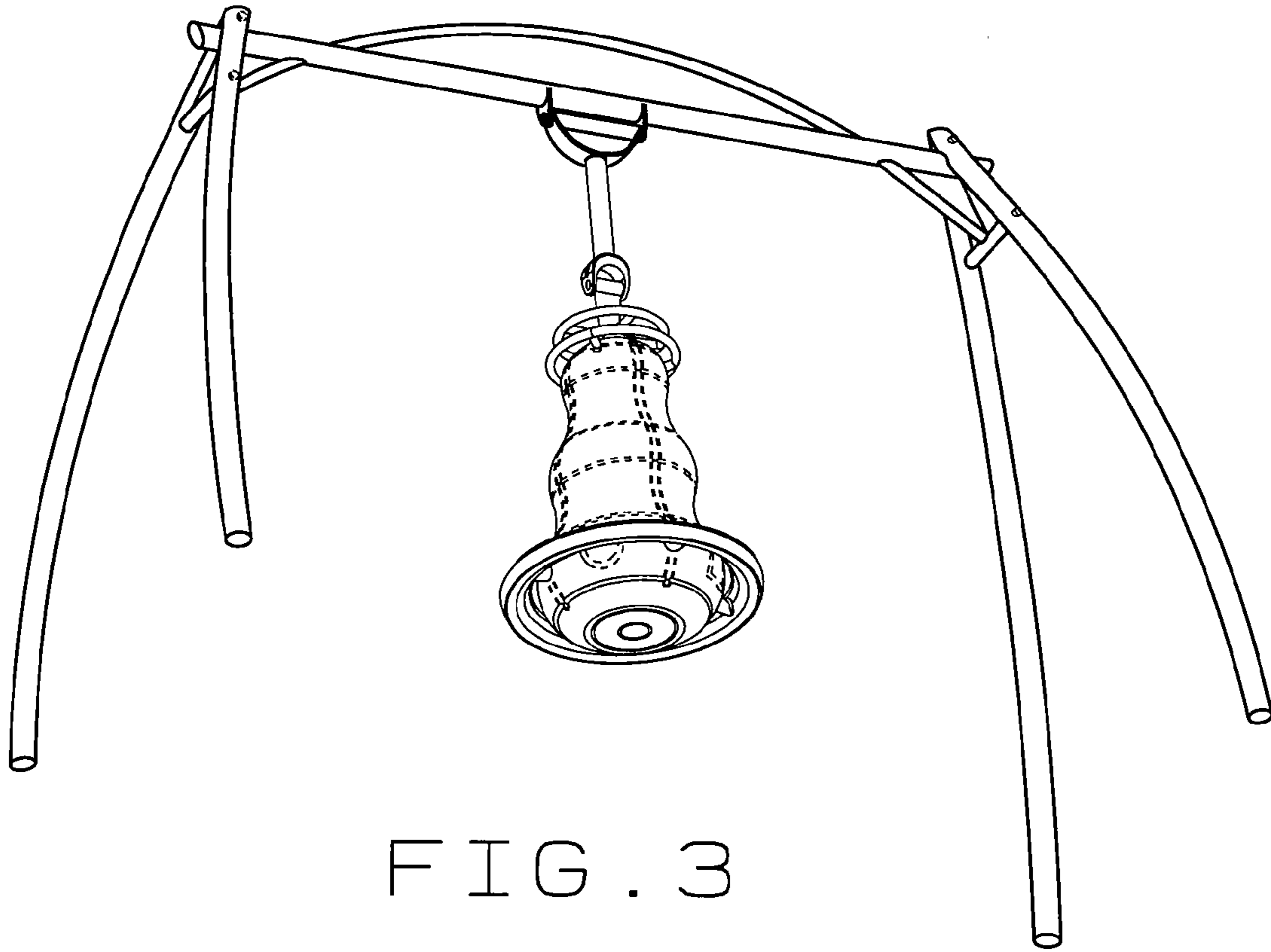


FIG. 3

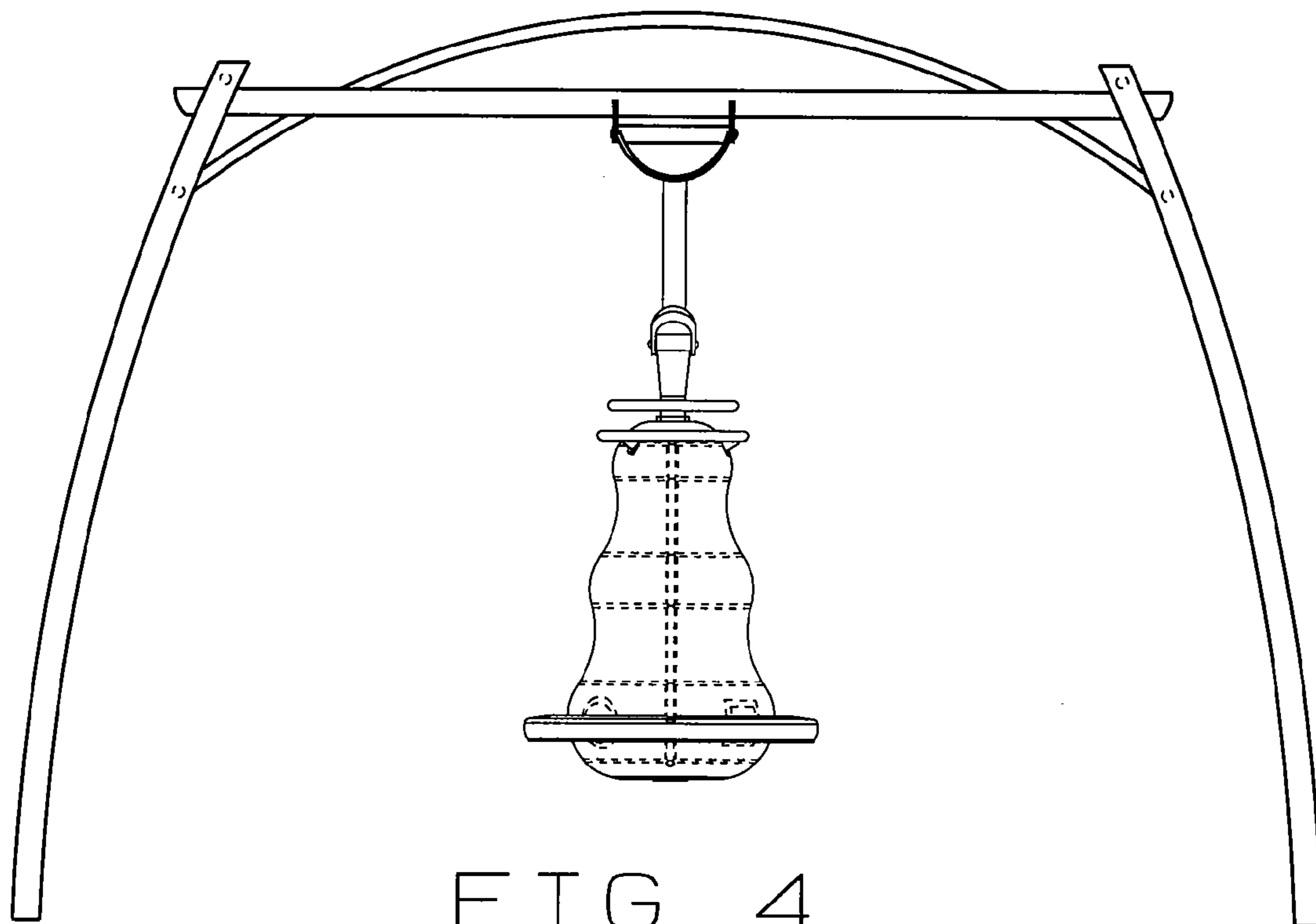


FIG. 4

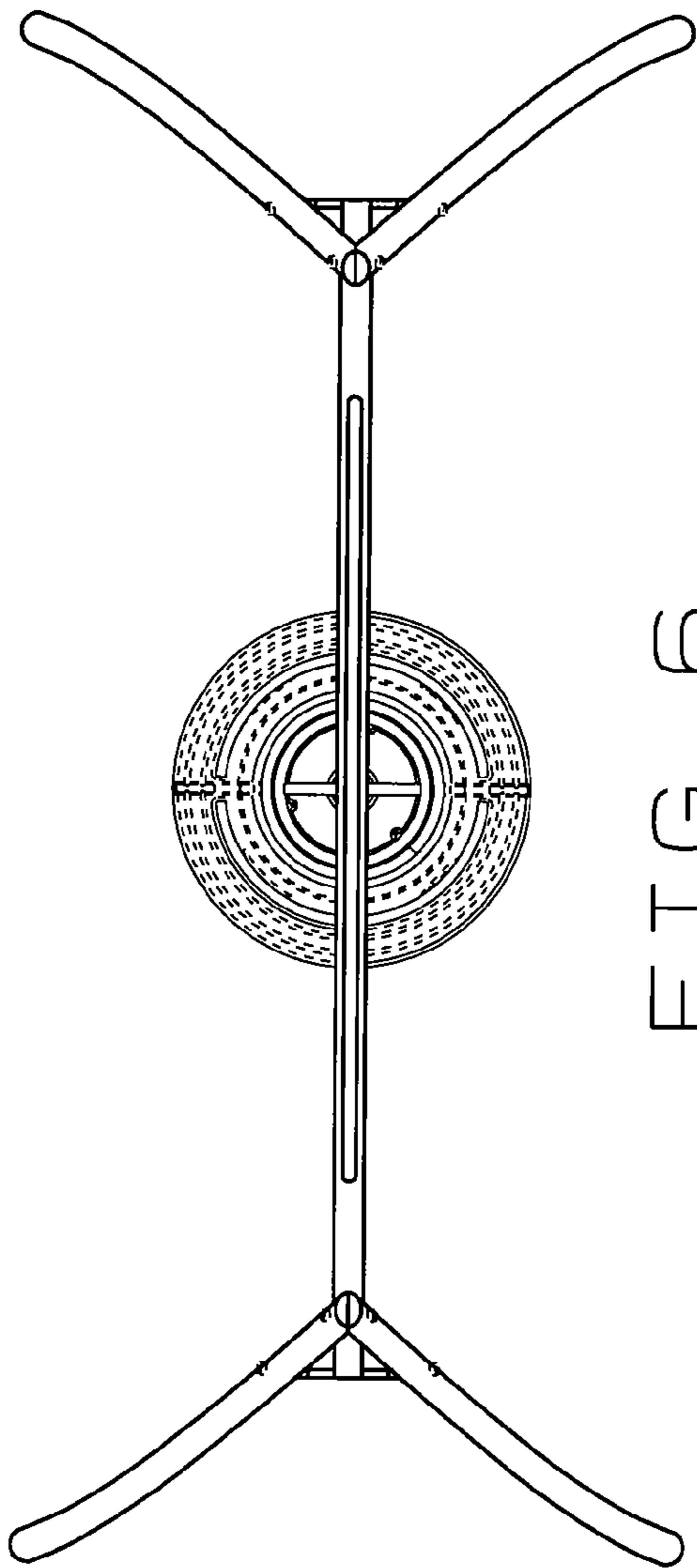


FIG. 6

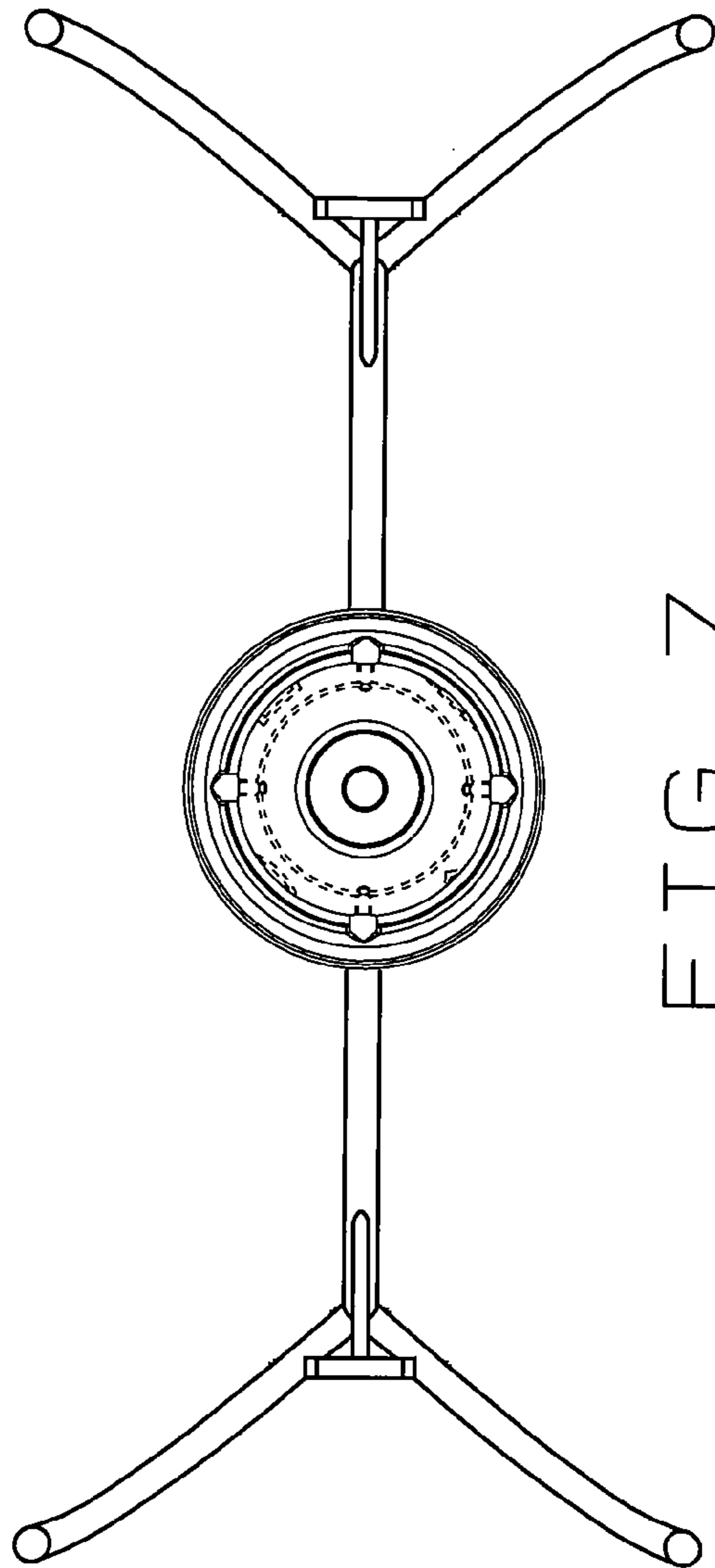


FIG. 7

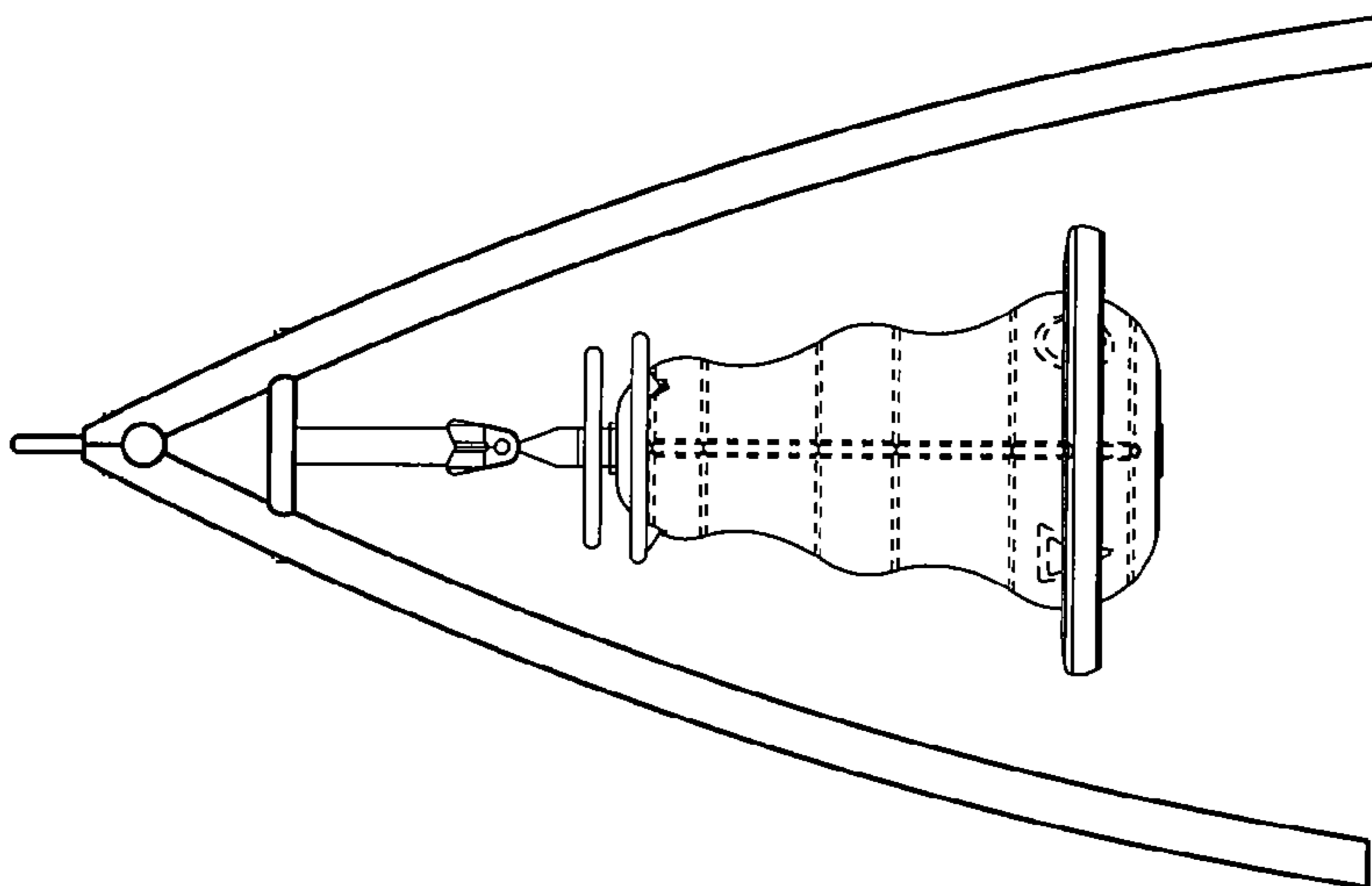


FIG. 5

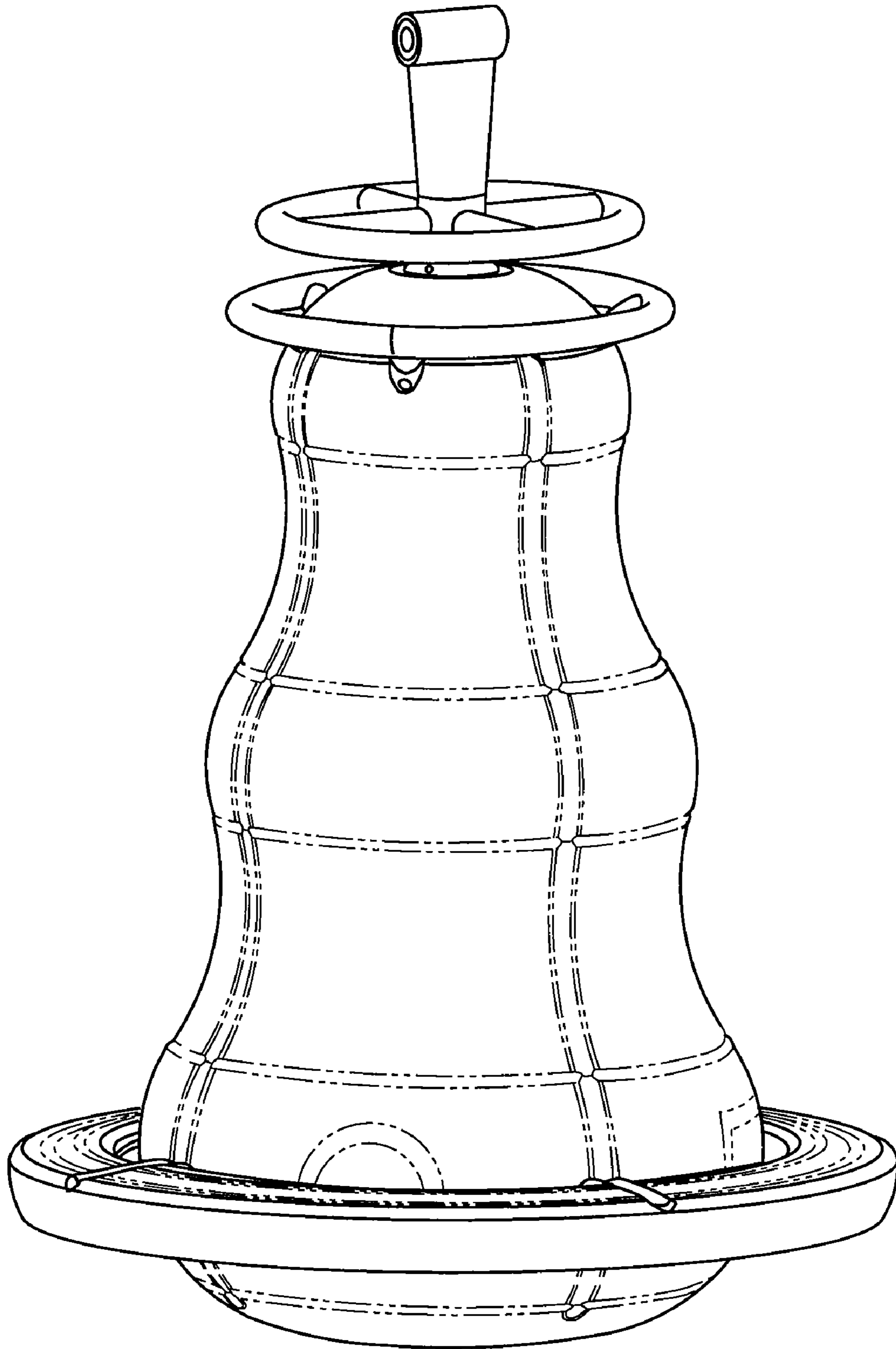


FIG. 8

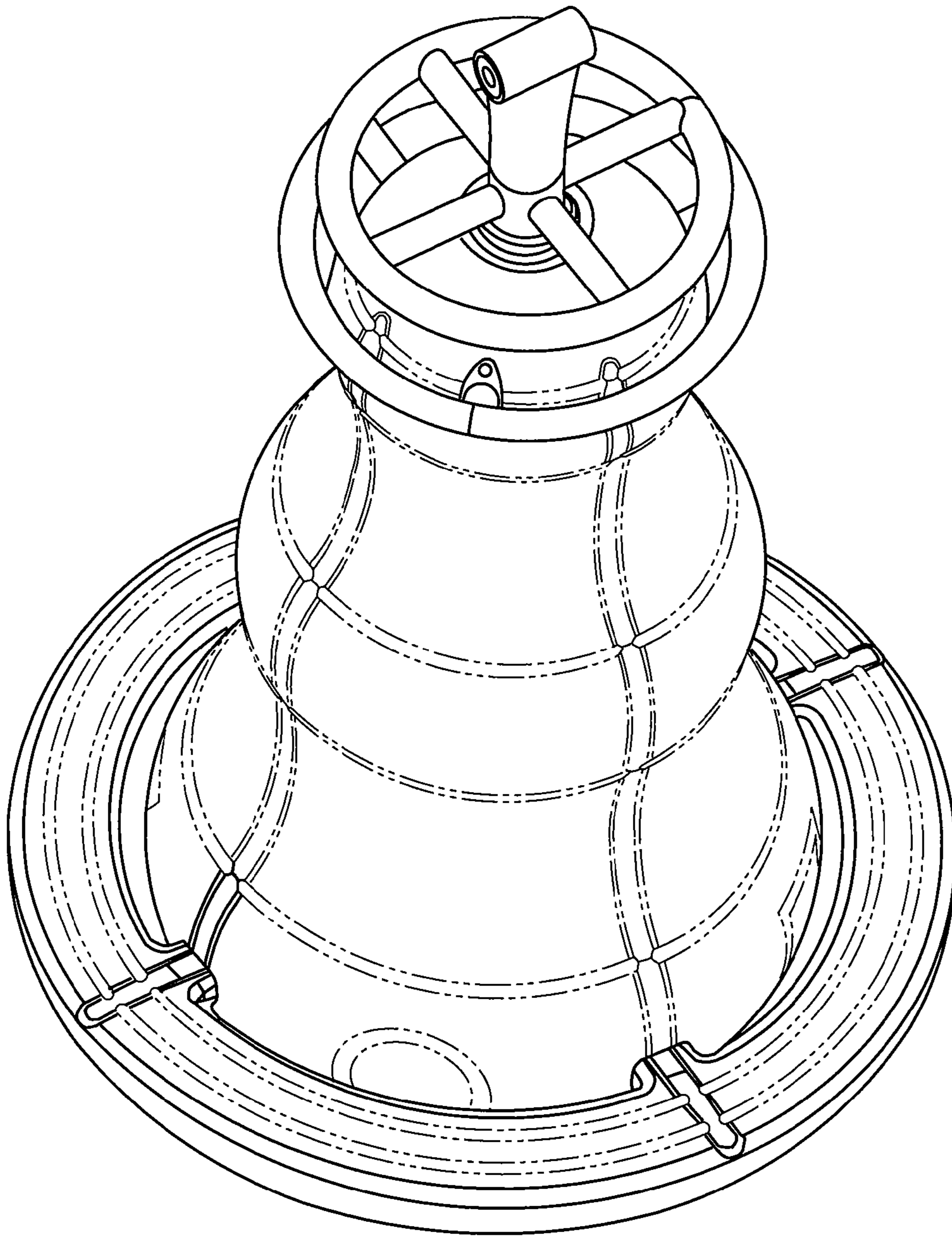


FIG. 9

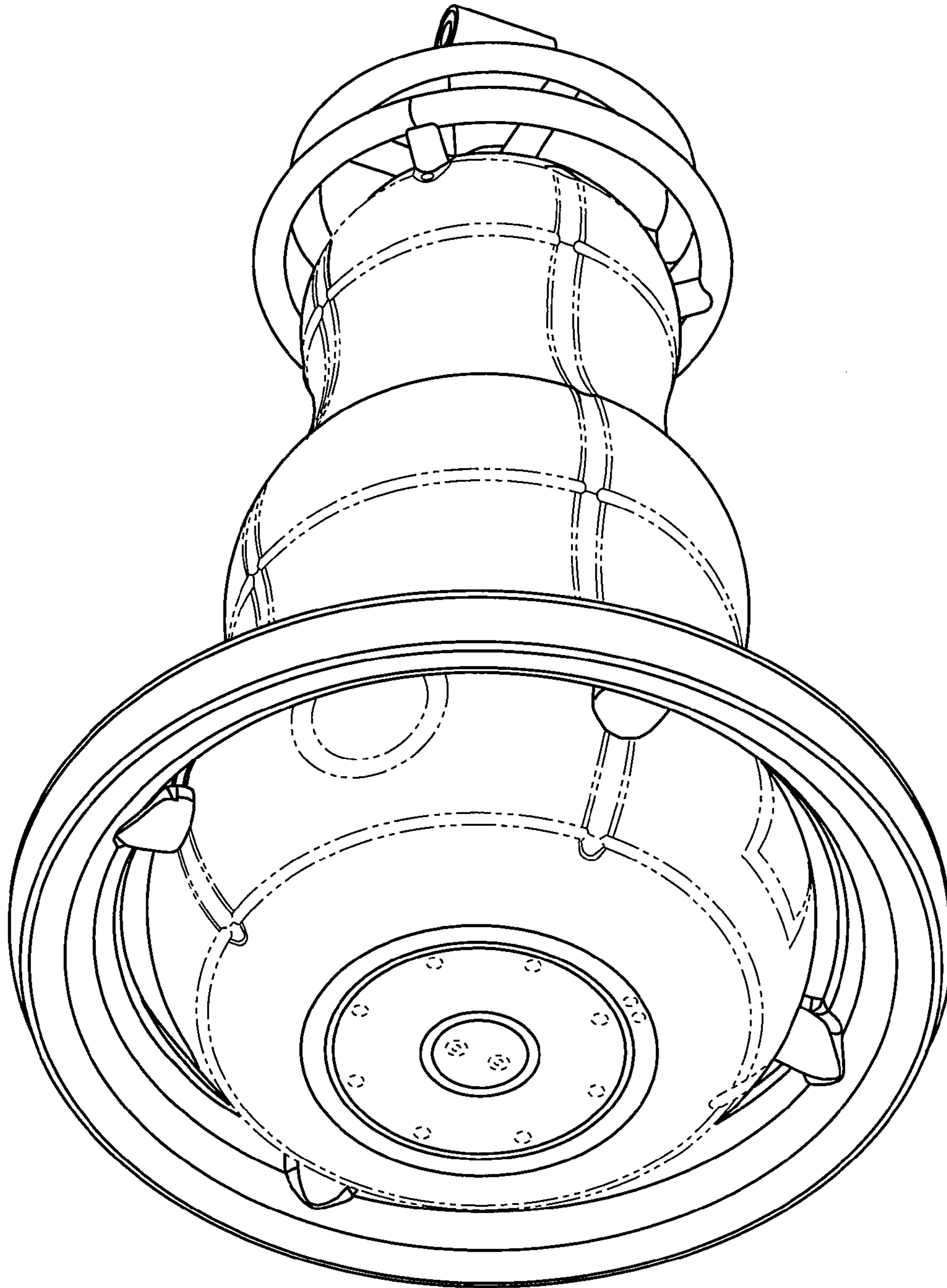


FIG. 10

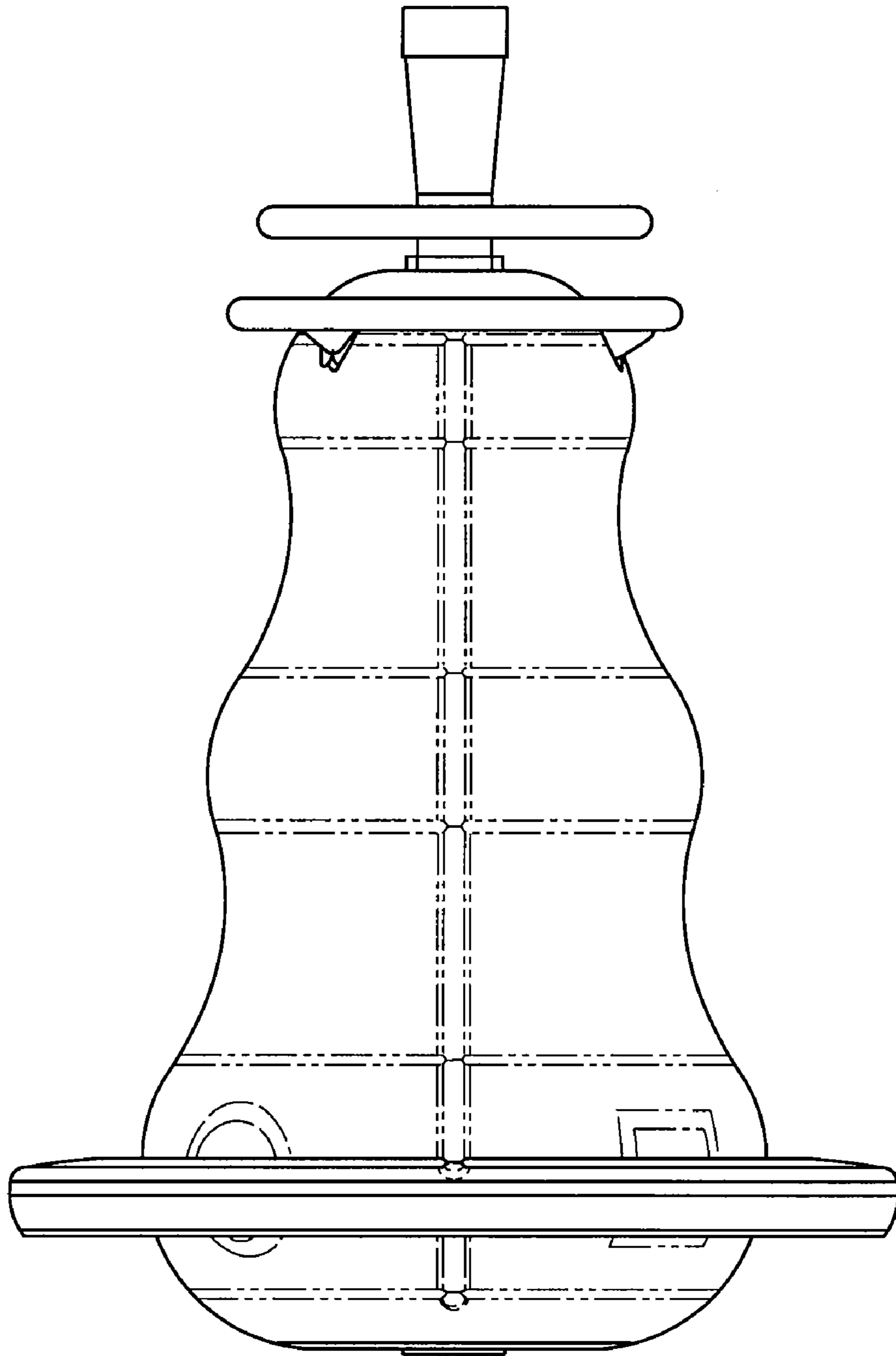


FIG. 11



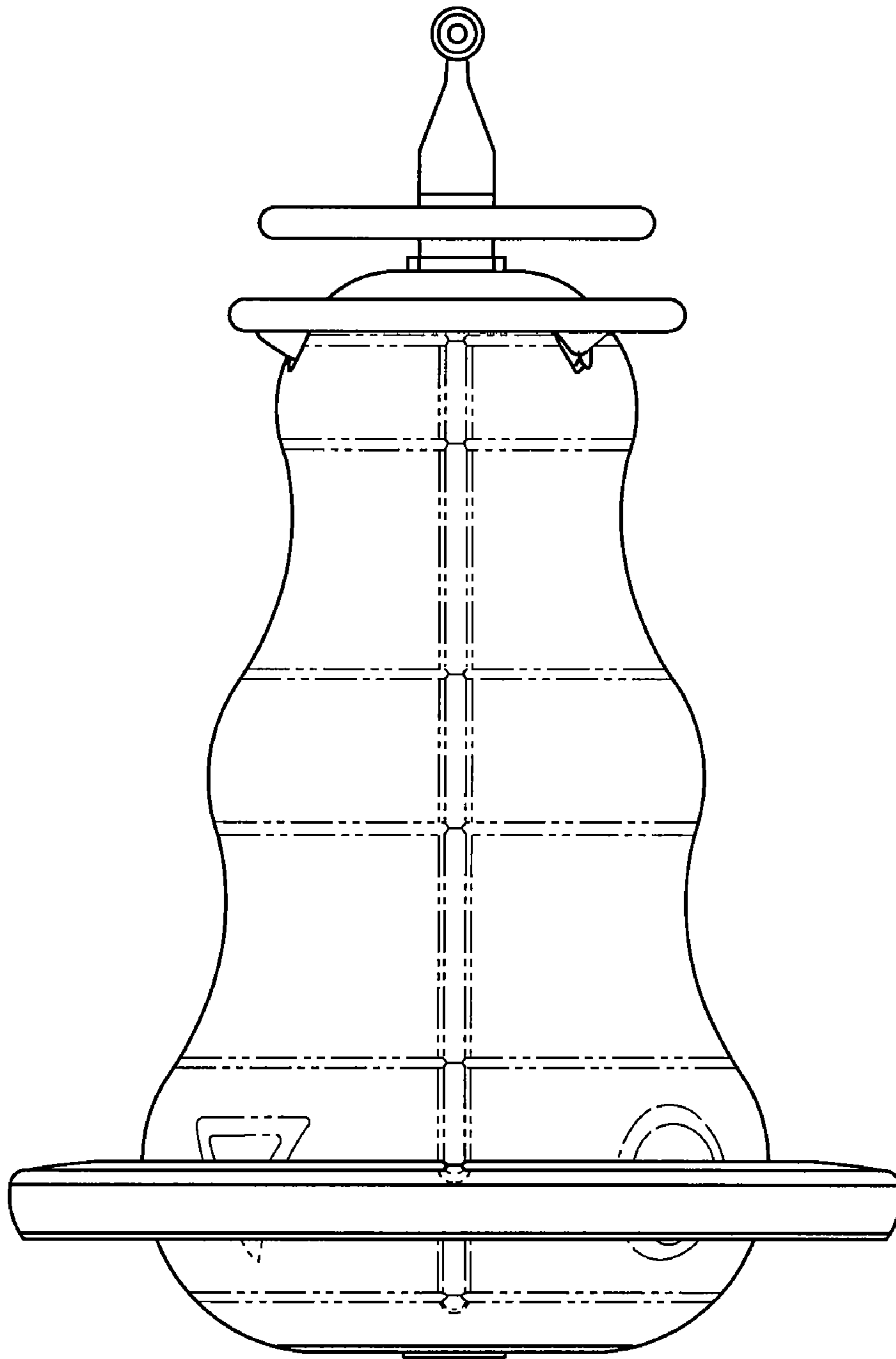


FIG. 12

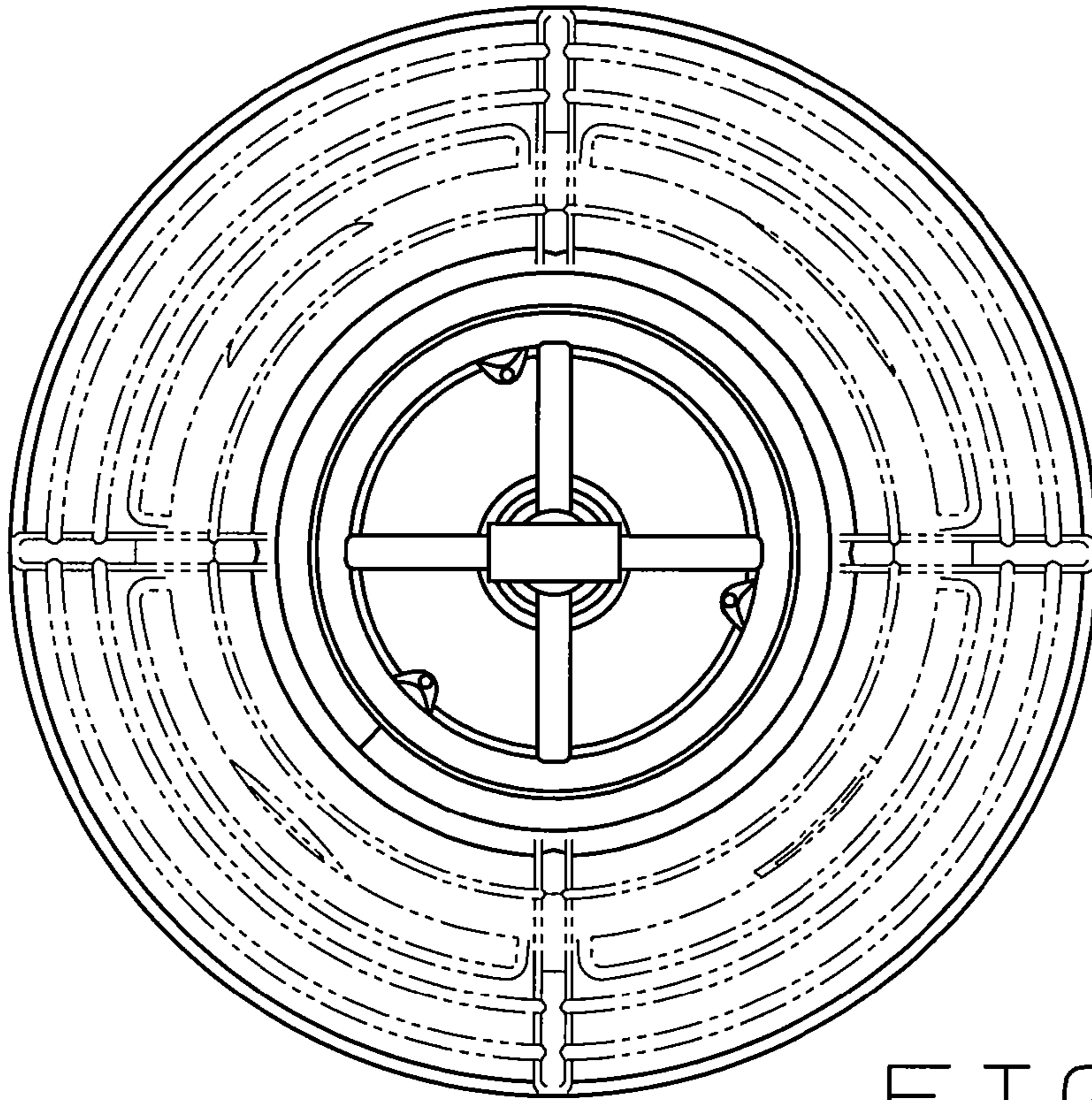


FIG. 13

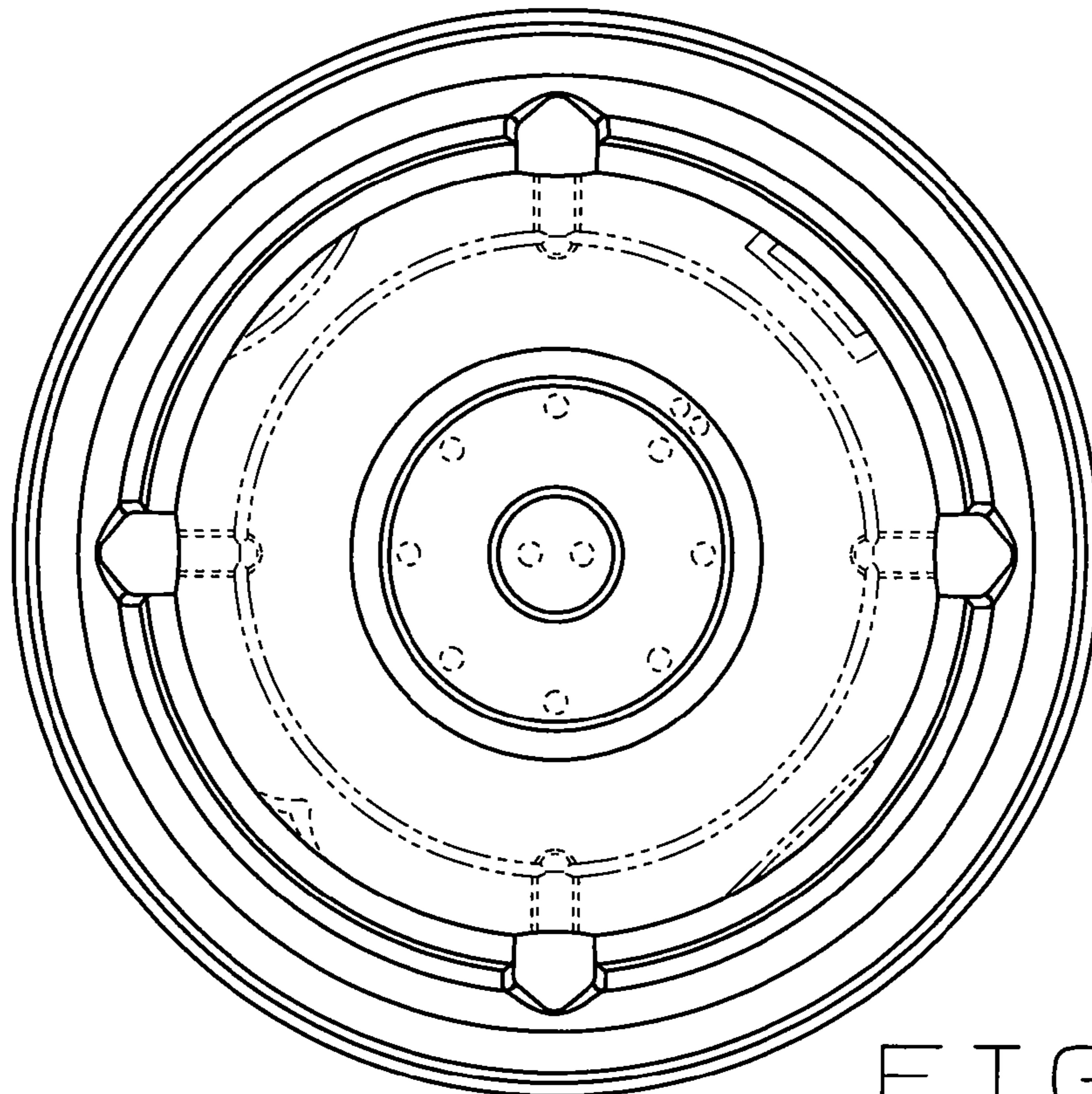


FIG. 14

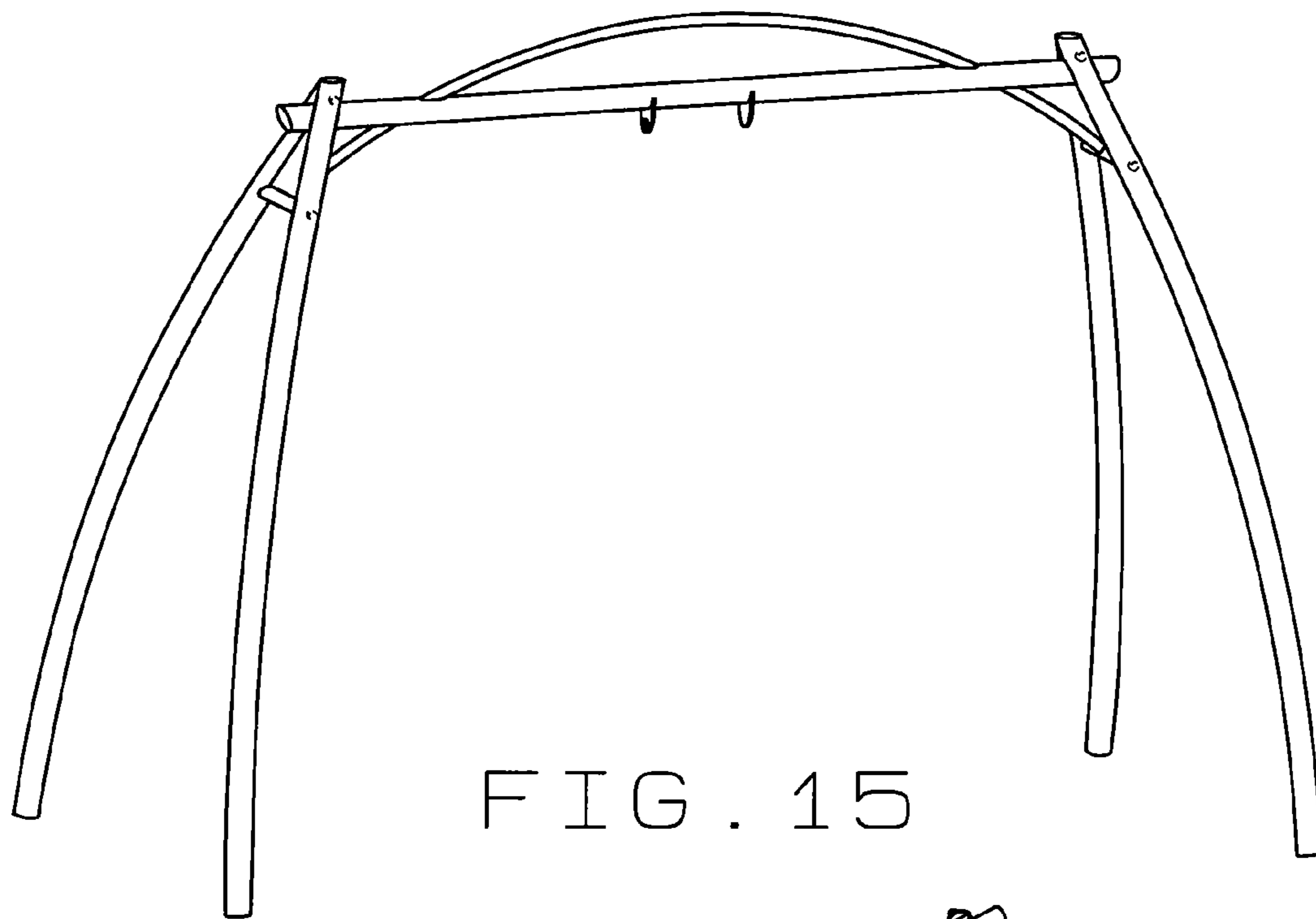


FIG. 15

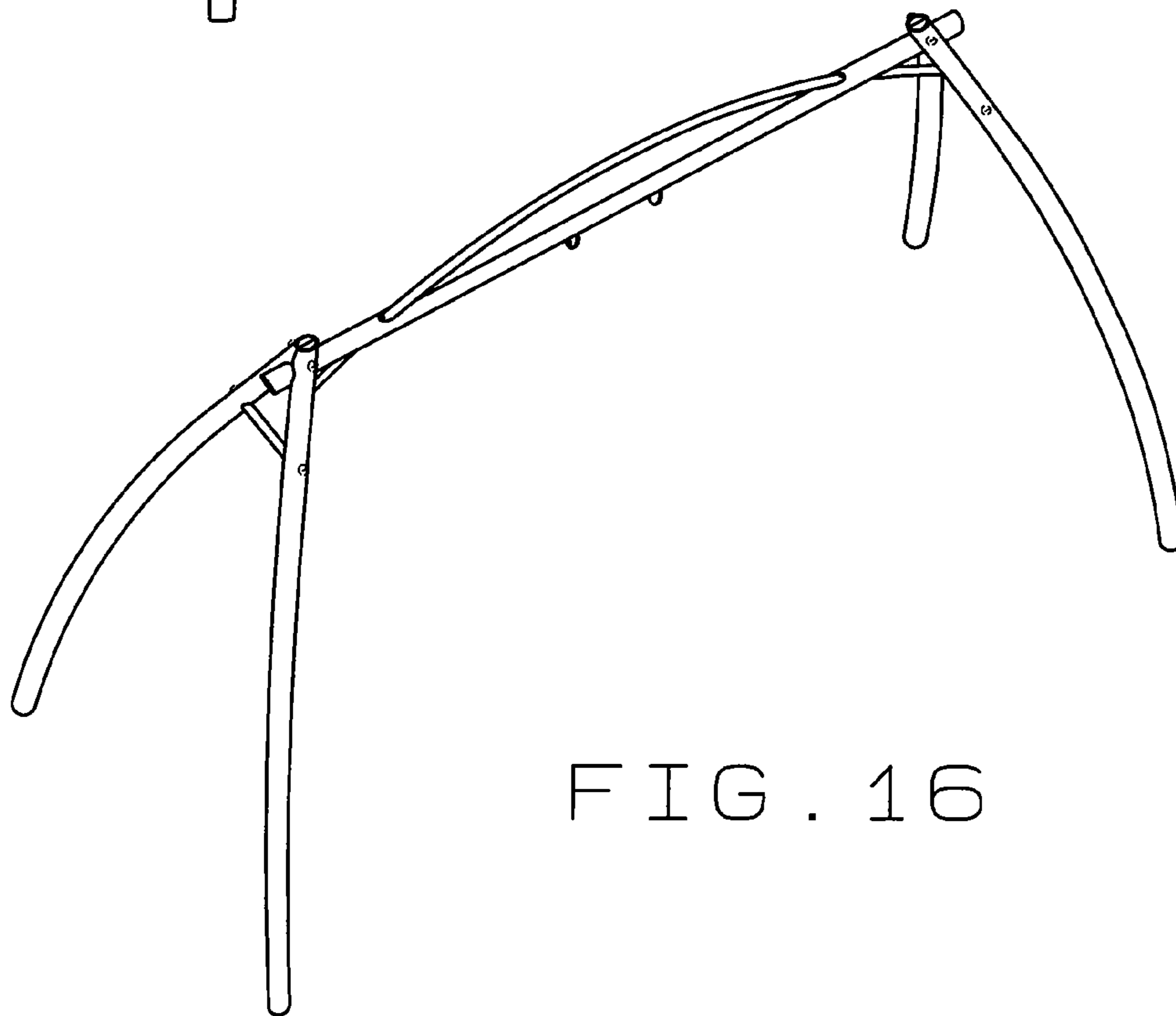


FIG. 16

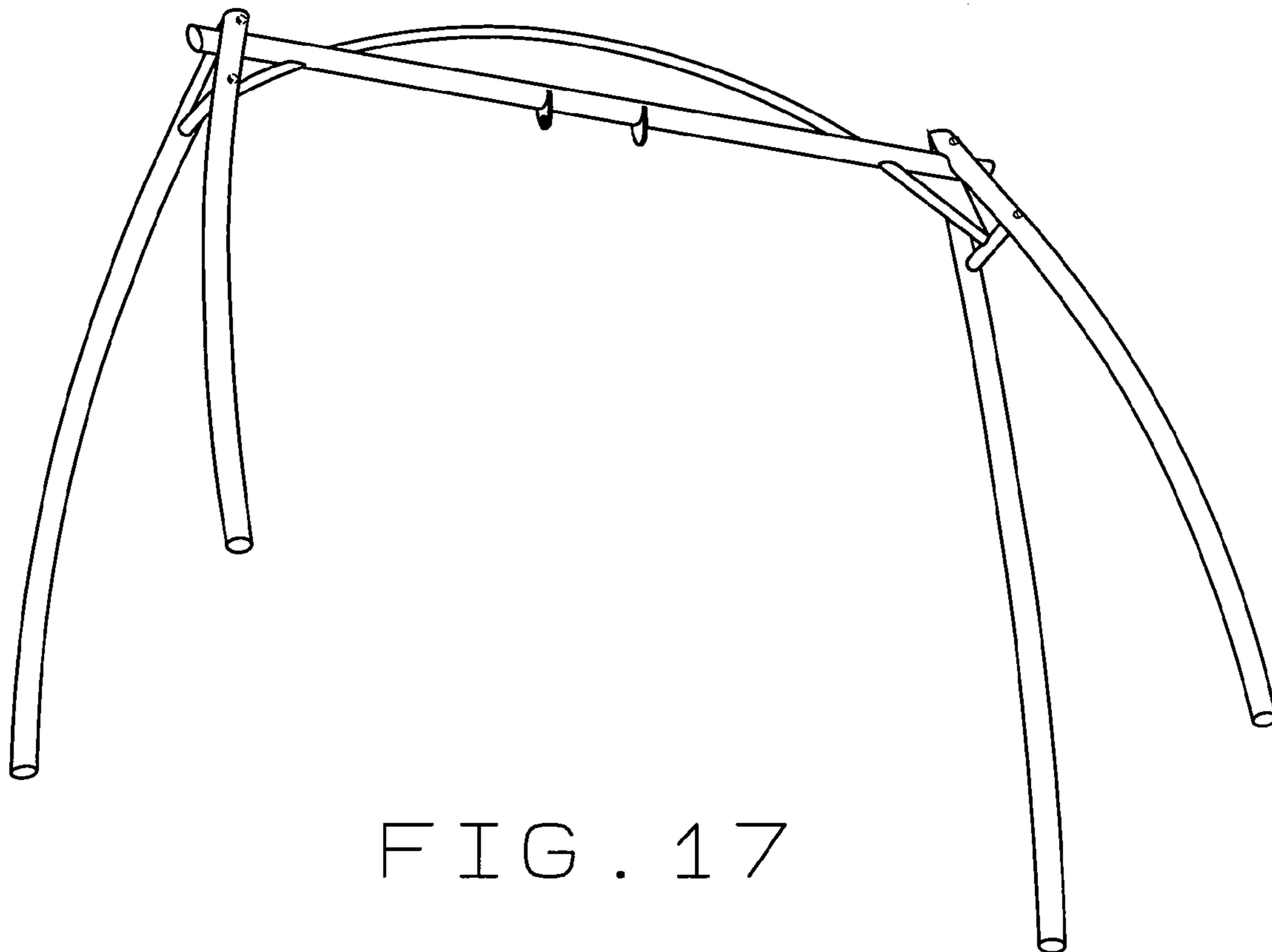


FIG. 17

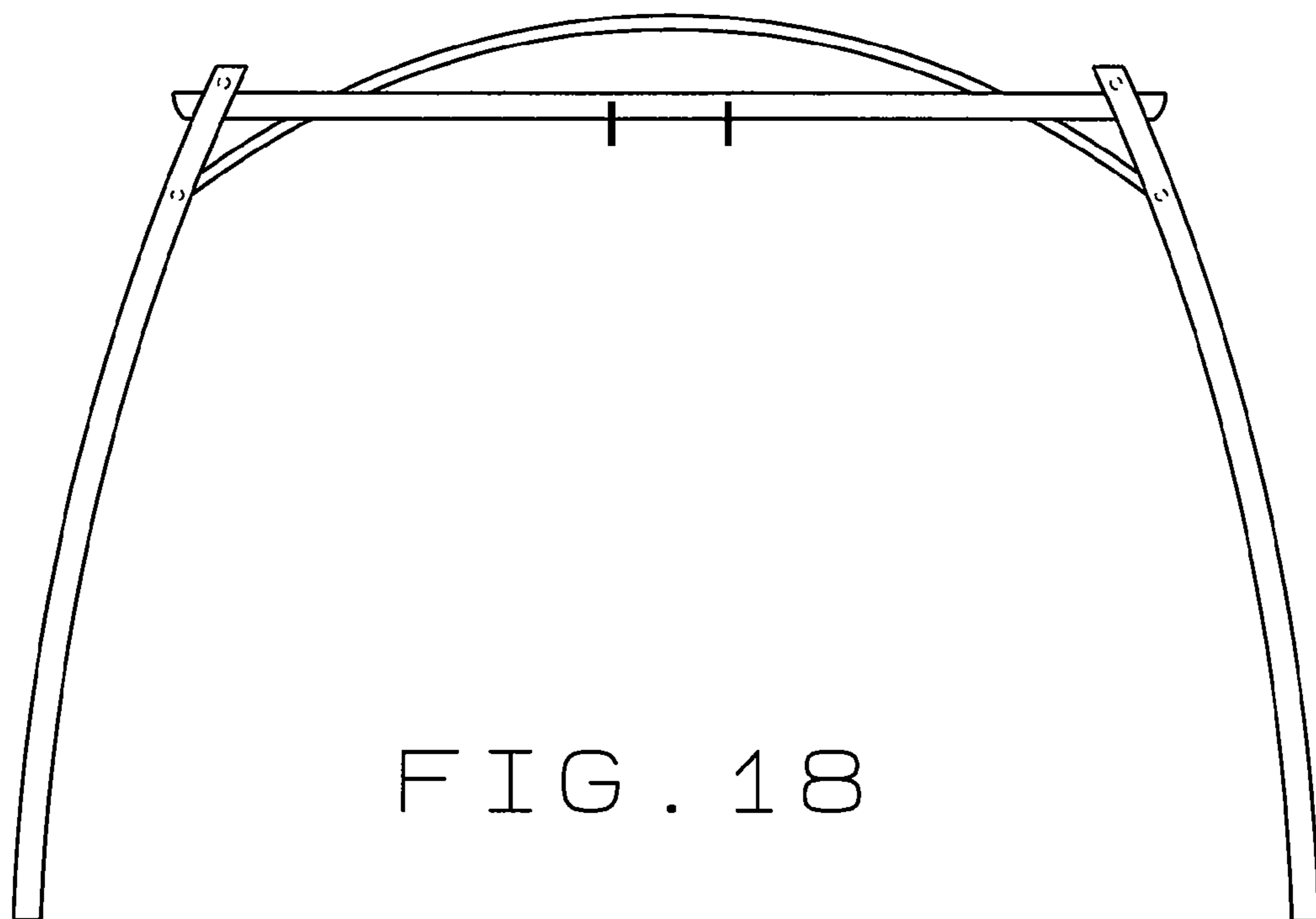


FIG. 18

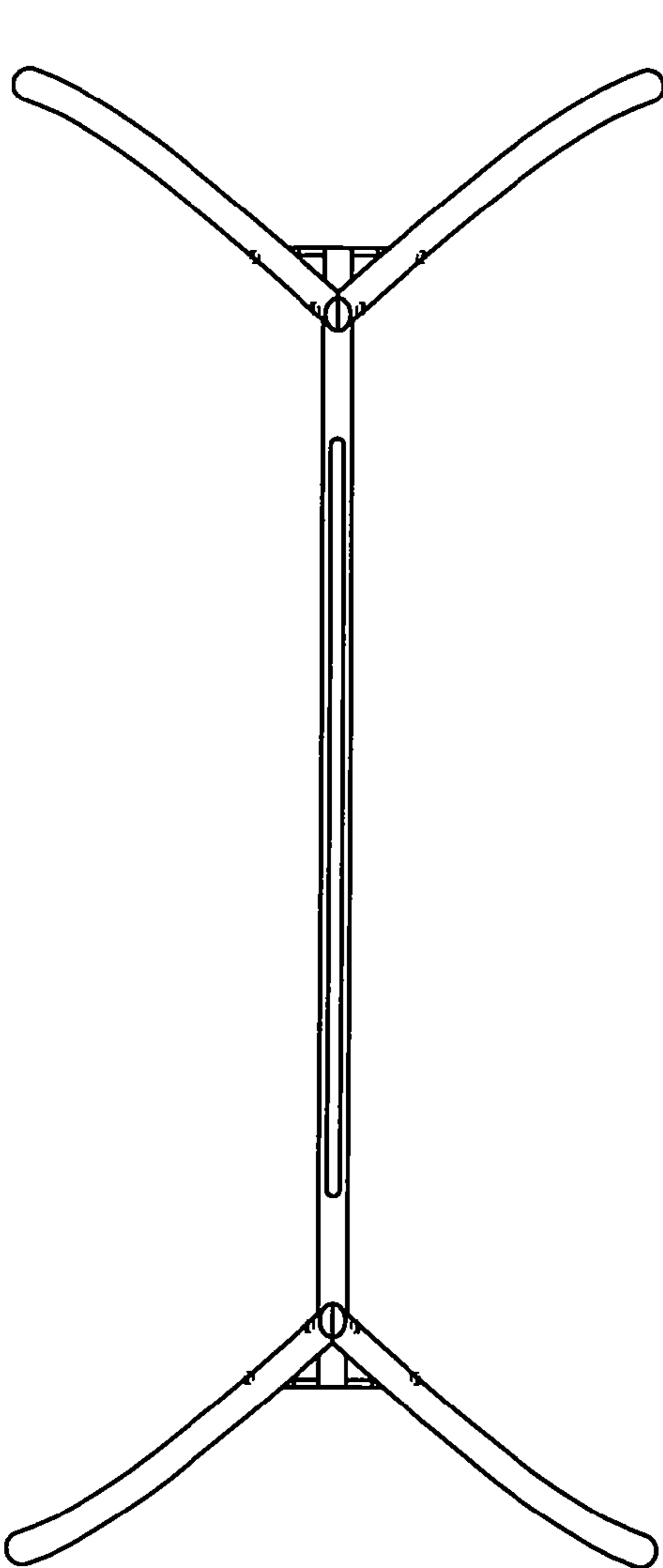


FIG. 20

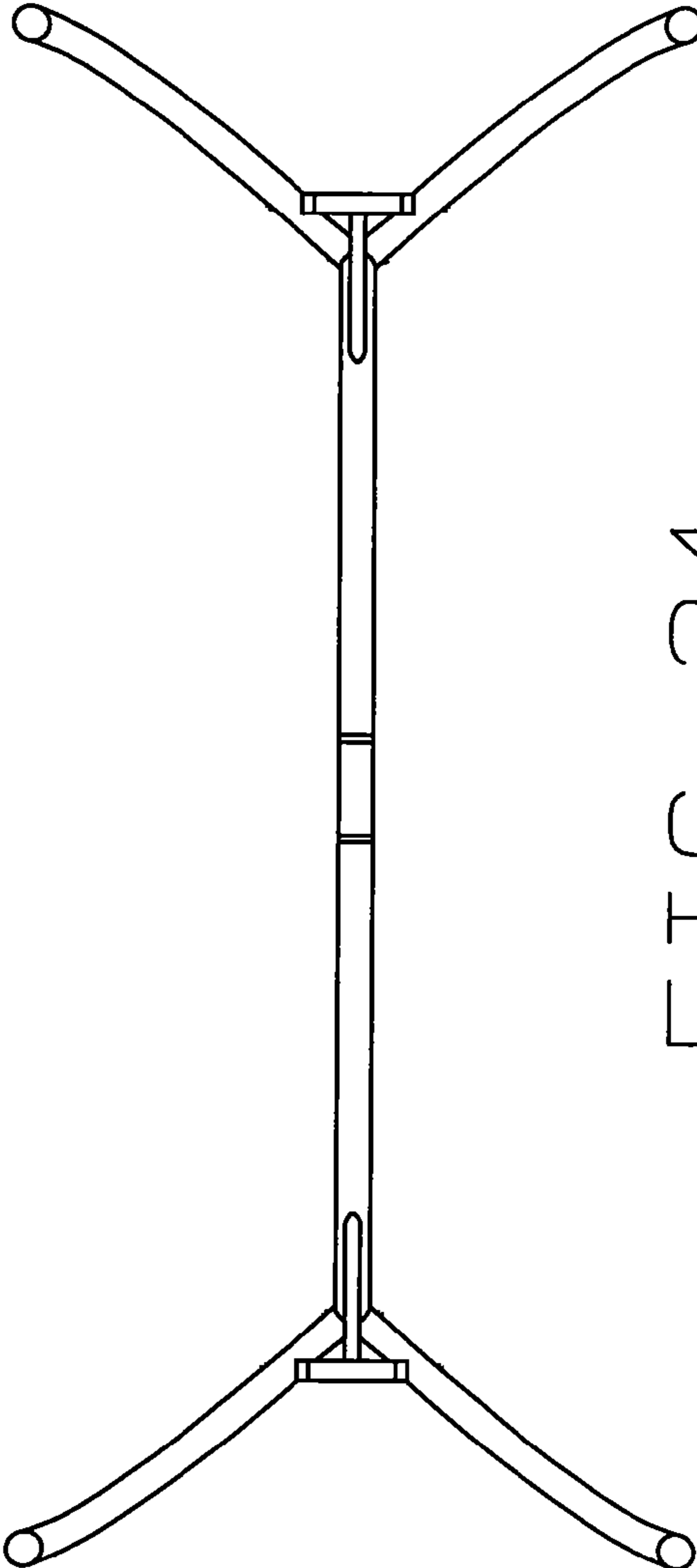


FIG. 21

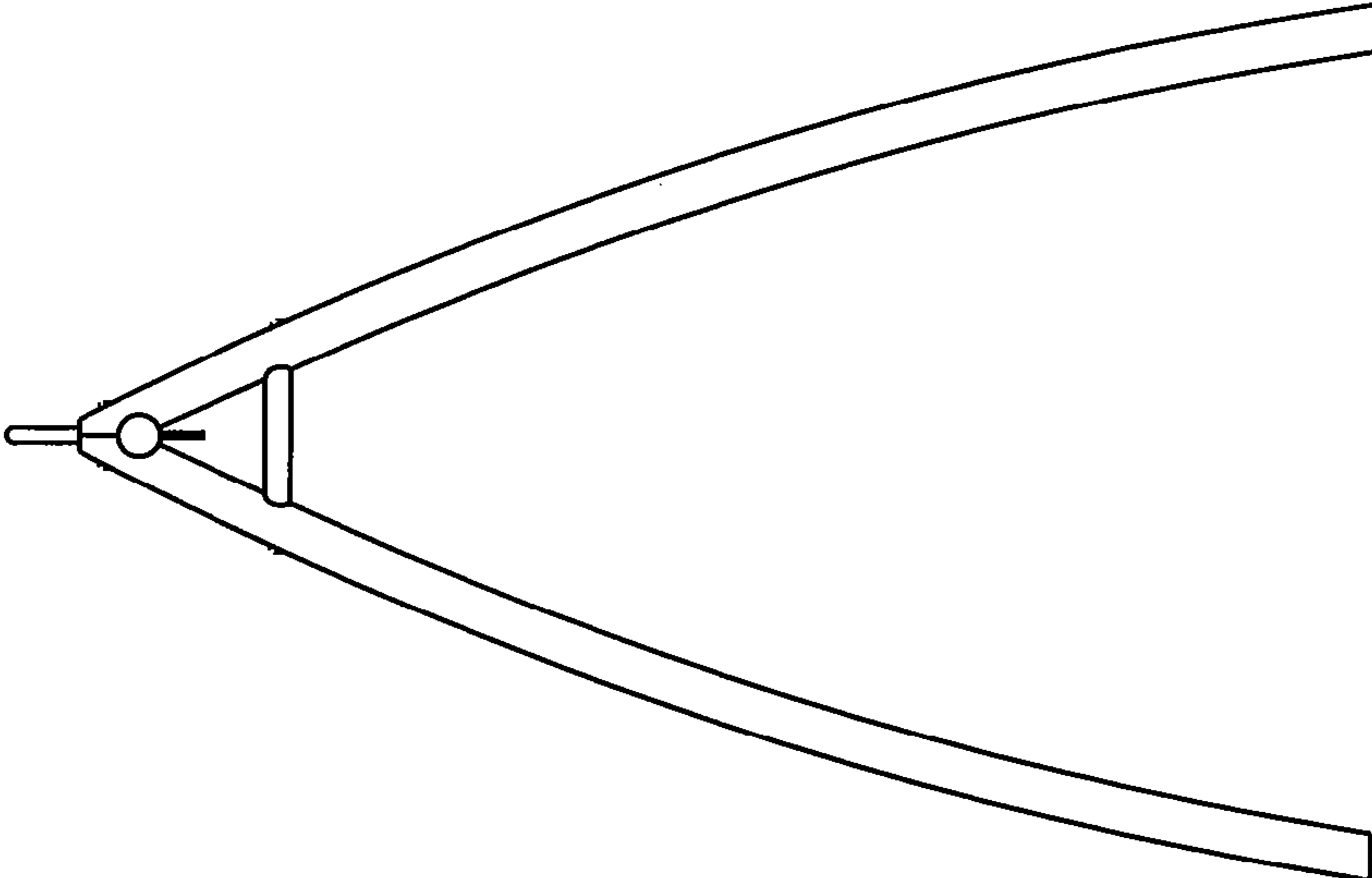


FIG. 19