



US00D571886S

(12) **United States Design Patent**
Stites et al.

(10) **Patent No.:** **US D571,886 S**
(45) **Date of Patent:** **** Jun. 24, 2008**

(54) **GOLF CLUB HEAD FOR A PUTTER**

(75) Inventors: **John T. Stites**, Weatherford, TX (US);
Andrew G. V. Oldknow, Beaverton, OR
(US); **David N. Franklin**, Granbury, TX
(US)

(73) Assignee: **Nike, Inc.**, Beaverton, OR (US)

(**) Term: **14 Years**

(21) Appl. No.: **29/302,050**

(22) Filed: **Jan. 9, 2008**

(51) **LOC (8) Cl.** **21-02**

(52) **U.S. Cl.** **D21/759**

(58) **Field of Classification Search** D21/736–746,
D21/759; 473/324–331, 340–341, 251–256
See application file for complete search history.

(56) **References Cited**

U.S. PATENT DOCUMENTS

D363,750 S	10/1995	Reed	
D389,885 S	1/1998	Mahaffey et al.	
D488,200 S *	4/2004	Olsavsky et al.	D21/43
D499,782 S	12/2004	Stites et al.	
D502,234 S	2/2005	Grace	
D507,612 S	7/2005	Souza et al.	
D510,394 S *	10/2005	Tang et al.	D21/742
6,974,394 B1 *	12/2005	Tang et al.	473/341
D513,776 S	1/2006	Grace	
D514,182 S *	1/2006	Olsavsky et al.	D21/743
D521,582 S *	5/2006	Souza et al.	D21/743
7,048,639 B2 *	5/2006	Grace	473/251
D532,843 S	11/2006	Jones et al.	
D532,846 S	11/2006	Lee et al.	
D533,243 S	12/2006	Fife, Jr. et al.	
D533,609 S *	12/2006	Moore et al.	D21/742
7,147,569 B2	12/2006	Tang et al.	
D537,134 S *	2/2007	Imamoto	D21/736
D538,364 S	3/2007	Frame et al.	
D540,897 S *	4/2007	Oldknow et al.	D21/736

D541,362 S	4/2007	Oldknow	
D542,873 S *	5/2007	Oldknow	D21/759
D543,598 S	5/2007	Kuan et al.	
D545,385 S	6/2007	Tang et al.	
D548,295 S	8/2007	Jertson et al.	
D552,197 S *	10/2007	Wells et al.	D21/743
2005/0137027 A1	6/2005	Thomas	

OTHER PUBLICATIONS

Edwin Watts Catalog, STX Tour Mallet Putter, p. 77, dated 2000.
Edwin Watts Spring Catalog, White Hot 2 Ball Putter, p. 7, dated 2000.
Edwin Watts Late Spring Catalog, Doc-17 Putter, p. 18, dated 2004.
Edwin Watts Golf Catalog No. 7837, Founders Tour Tuned Stand #1 Blue Putter, www.edwinwattsgolf.com/wcsstore/EdwinWatts/images/product/7837-3.jpg, dated Dec. 19, 2007.

* cited by examiner

Primary Examiner—Mitchell I Siegel
(74) *Attorney, Agent, or Firm*—Banner & Witcoff, Ltd.

(57) **CLAIM**

The ornamental design for a golf club head for a putter, as shown and described.

DESCRIPTION

FIG. 1 is a top view of a golf club head for a putter showing our new design;

FIG. 2 is a heel end view thereof;

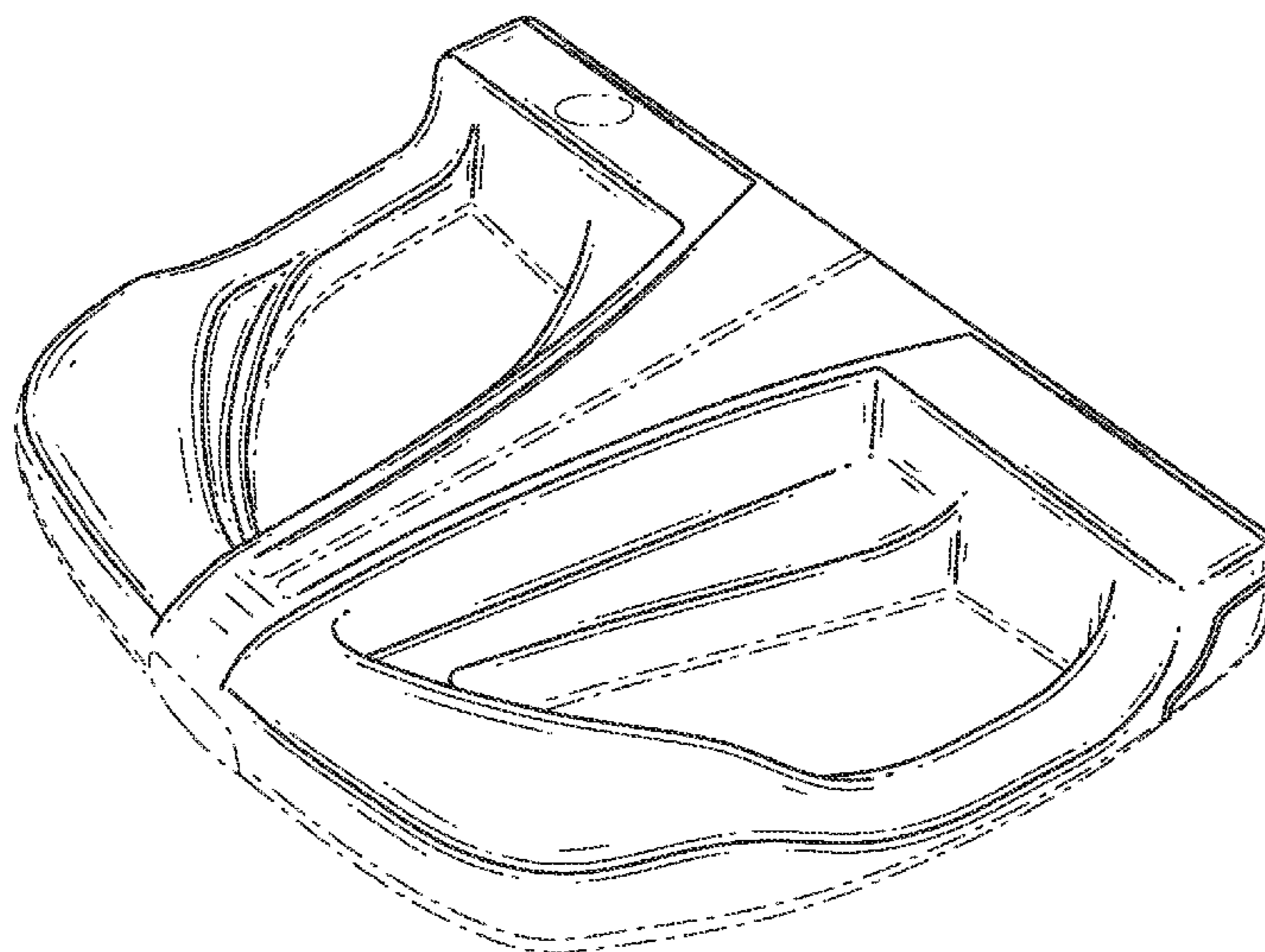
FIG. 3 is a toe end view thereof;

FIG. 4 is a rear view thereof; and,

FIG. 5 is a top perspective view thereof.

The uneven broken lines immediately adjacent to the shaded areas represent unclaimed boundaries of the design. The broken line showing of the circular shaped region and the alignment lines is for illustrative purposes only and forms no part of the claimed design. The portions of the golf club head for a putter that are not shown form no part of the claimed design.

1 Claim, 3 Drawing Sheets



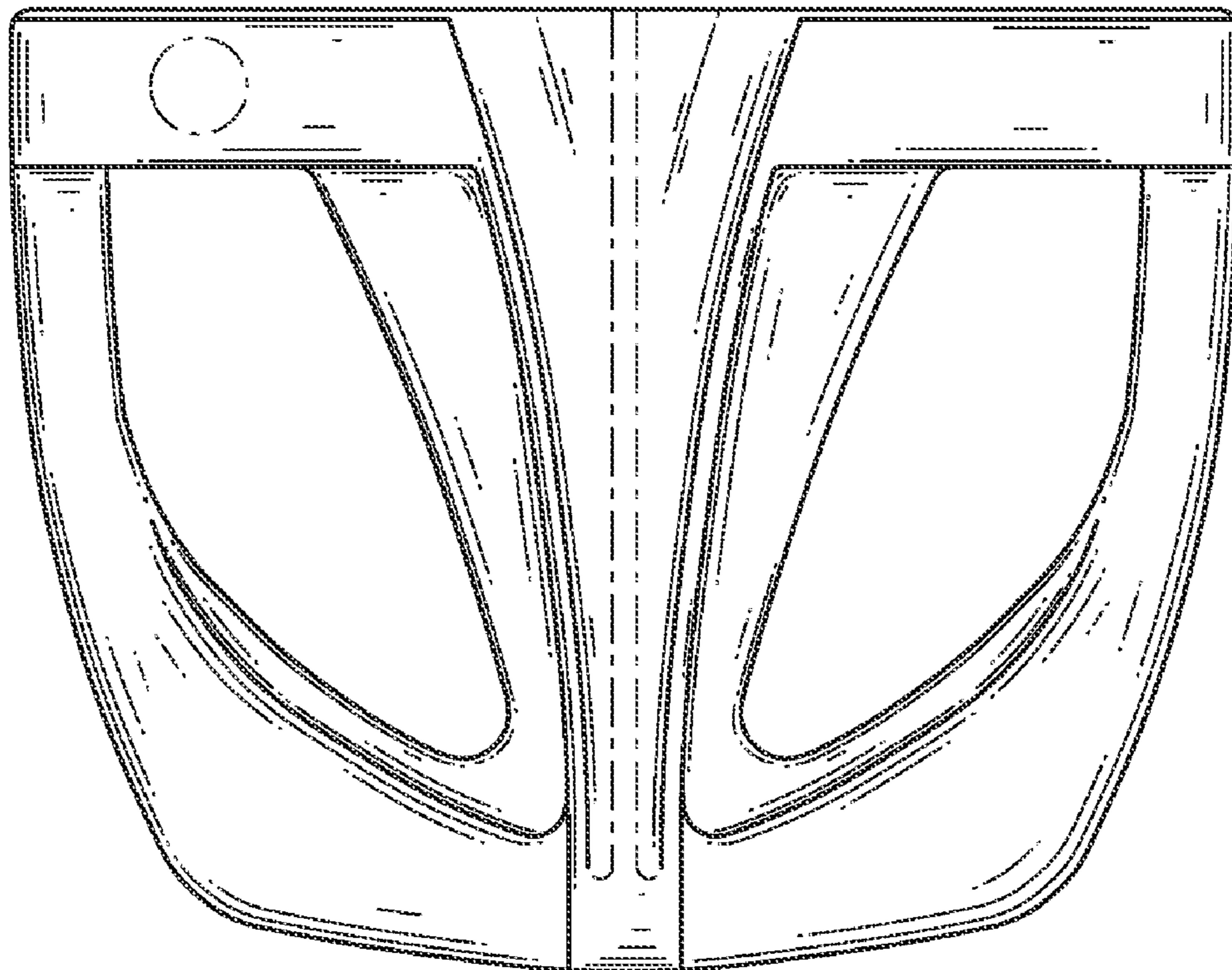


FIG. 1

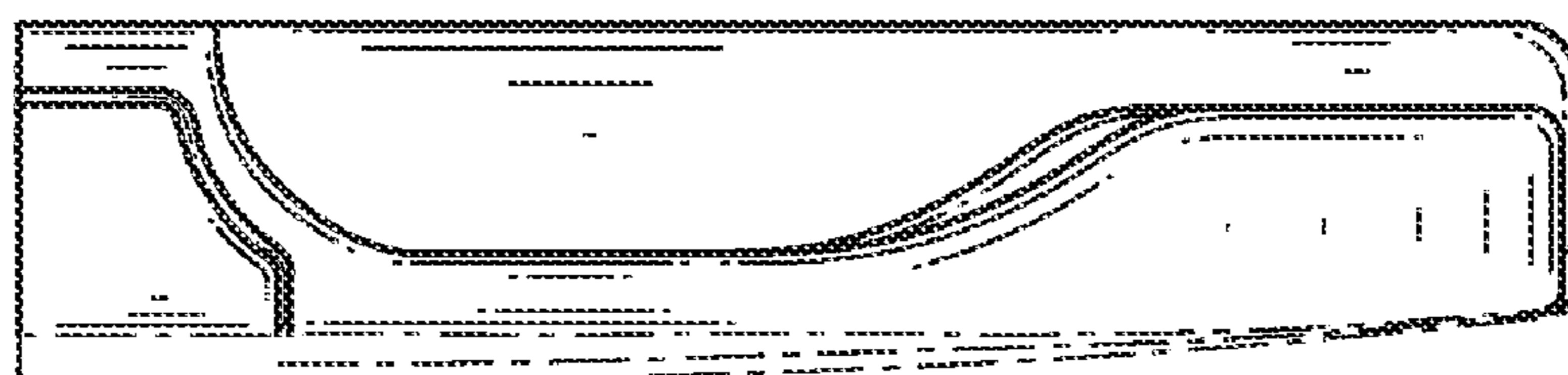


FIG. 2

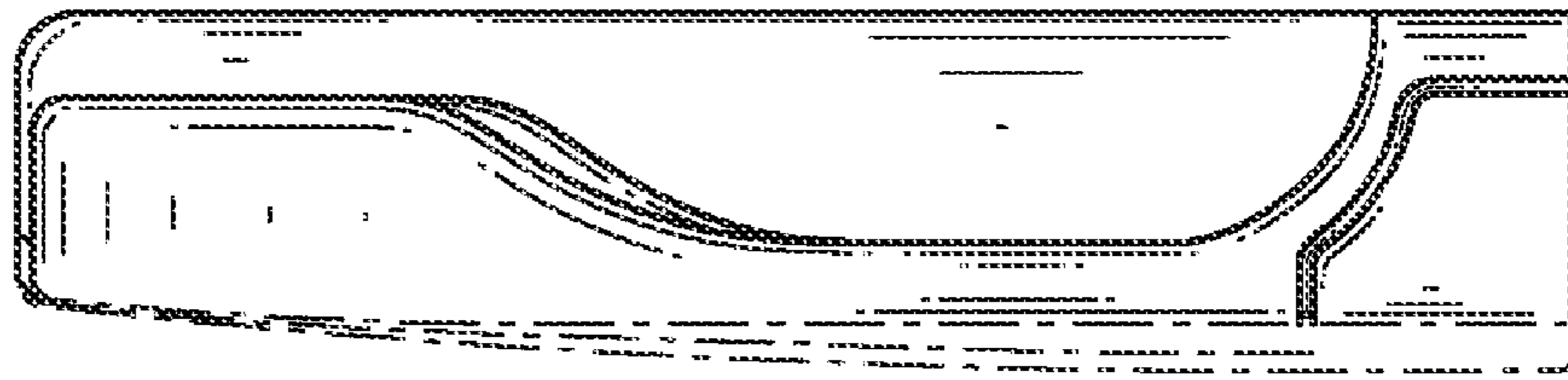


FIG. 3

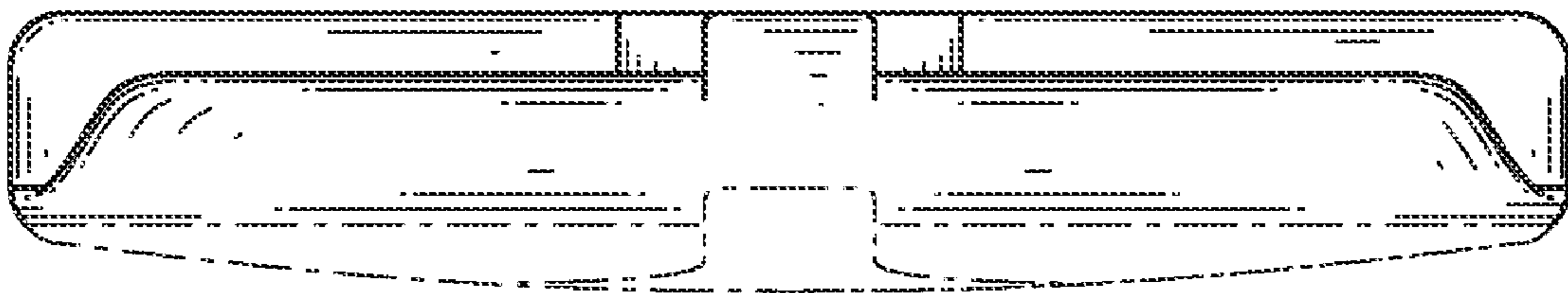


FIG. 4

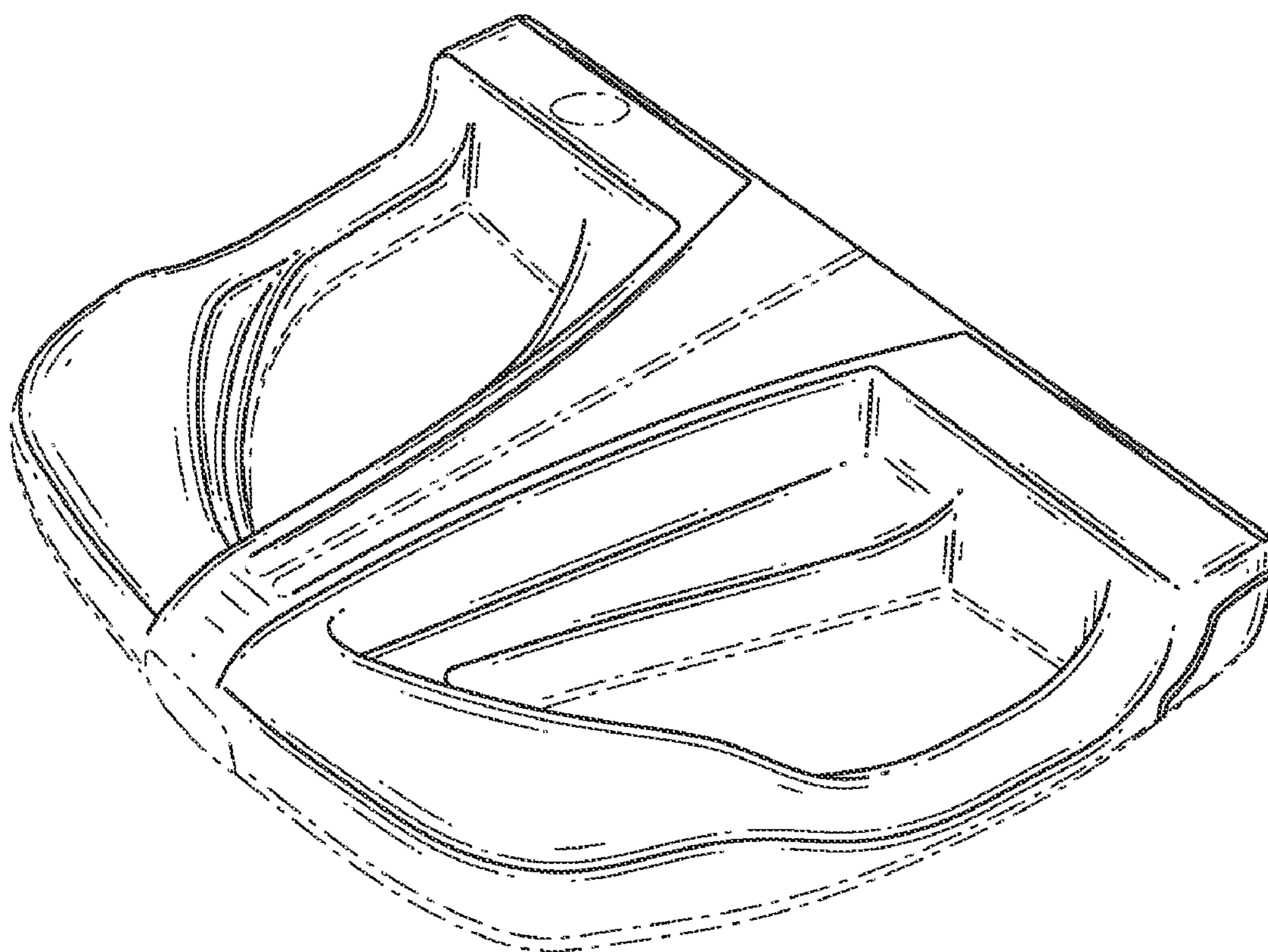


FIG. 5