



US00D571880S

(12) **United States Design Patent**
Ban et al.

(10) **Patent No.:** **US D571,880 S**
(45) **Date of Patent:** **** Jun. 24, 2008**

(54) **PUTTER HEAD**

(75) Inventors: **Wataru Ban**, Chichibu (JP); **Atsuo Tateno**, Tokyo (JP)

(73) Assignee: **Bridgestone Sports Co., Ltd.**, Tokyo (JP)

(**) Term: **14 Years**

(21) Appl. No.: **29/274,546**

(22) Filed: **May 1, 2007**

(30) **Foreign Application Priority Data**

Nov. 2, 2006 (JP) 2006-030025

(51) **LOC (8) Cl.** **21-02**

(52) **U.S. Cl.** **D21/744**

(58) **Field of Classification Search** D21/736-746;
473/324-332, 340-341, 251-256

See application file for complete search history.

(56) **References Cited**

U.S. PATENT DOCUMENTS

| | | | |
|-------------|-----------|------------------|---------------|
| 1,289,553 A | 12/1918 | Sanders | |
| D285,956 S | 9/1986 | Shearer | |
| D351,443 S | * 10/1994 | Caugh et al. | D21/743 |
| D365,615 S | * 12/1995 | Shimatani | D21/743 |
| D378,113 S | 2/1997 | Rollinson et al. | |
| 5,637,044 A | 6/1997 | Swash | |
| D385,935 S | 11/1997 | Cameron | |
| D389,207 S | 1/1998 | Cameron | |
| D393,033 S | 3/1998 | Sheets | |
| D394,689 S | 5/1998 | Sheets | |
| D396,081 S | 7/1998 | Sheets | |
| D396,258 S | 7/1998 | Sheets | |
| D398,354 S | * 9/1998 | Carter | D21/742 |
| D399,275 S | 10/1998 | Sheets | |
| D399,899 S | 10/1998 | Sizemore, Jr. | |
| D413,951 S | * 9/1999 | Storer et al. | D21/744 |

| | | | |
|------------|-----------|--------------|---------------|
| D430,246 S | * 8/2000 | Chiou et al. | D21/736 |
| D434,094 S | * 11/2000 | Miyashita | D21/744 |
| D438,272 S | 2/2001 | Moore | |
| D458,331 S | 6/2002 | Wahl et al. | |
| D502,235 S | 2/2005 | Burrows | |
| D507,319 S | * 7/2005 | Kramski | D21/744 |
| D511,802 S | * 11/2005 | Cameron | D21/744 |

FOREIGN PATENT DOCUMENTS

| | | |
|----|------------|---------|
| JP | 397848 | 5/1975 |
| JP | 488476 | 11/1978 |
| JP | 734829 S | 6/1988 |
| JP | 8-229169 A | 9/1996 |
| JP | 1084113 S | 9/2000 |
| JP | 1233520 S | 3/2005 |

* cited by examiner

Primary Examiner—Mitchell I Siegel

(74) *Attorney, Agent, or Firm*—Sughrue Mion, PLLC

(57) **CLAIM**

The ornamental design for putter head, as shown and described.

DESCRIPTION

FIG. 1 is a front view of putter head embodying our new design;

FIG. 2 is a rear view thereof;

FIG. 3 is a top plan view thereof;

FIG. 4 is a bottom view thereof;

FIG. 5 is a left side view thereof;

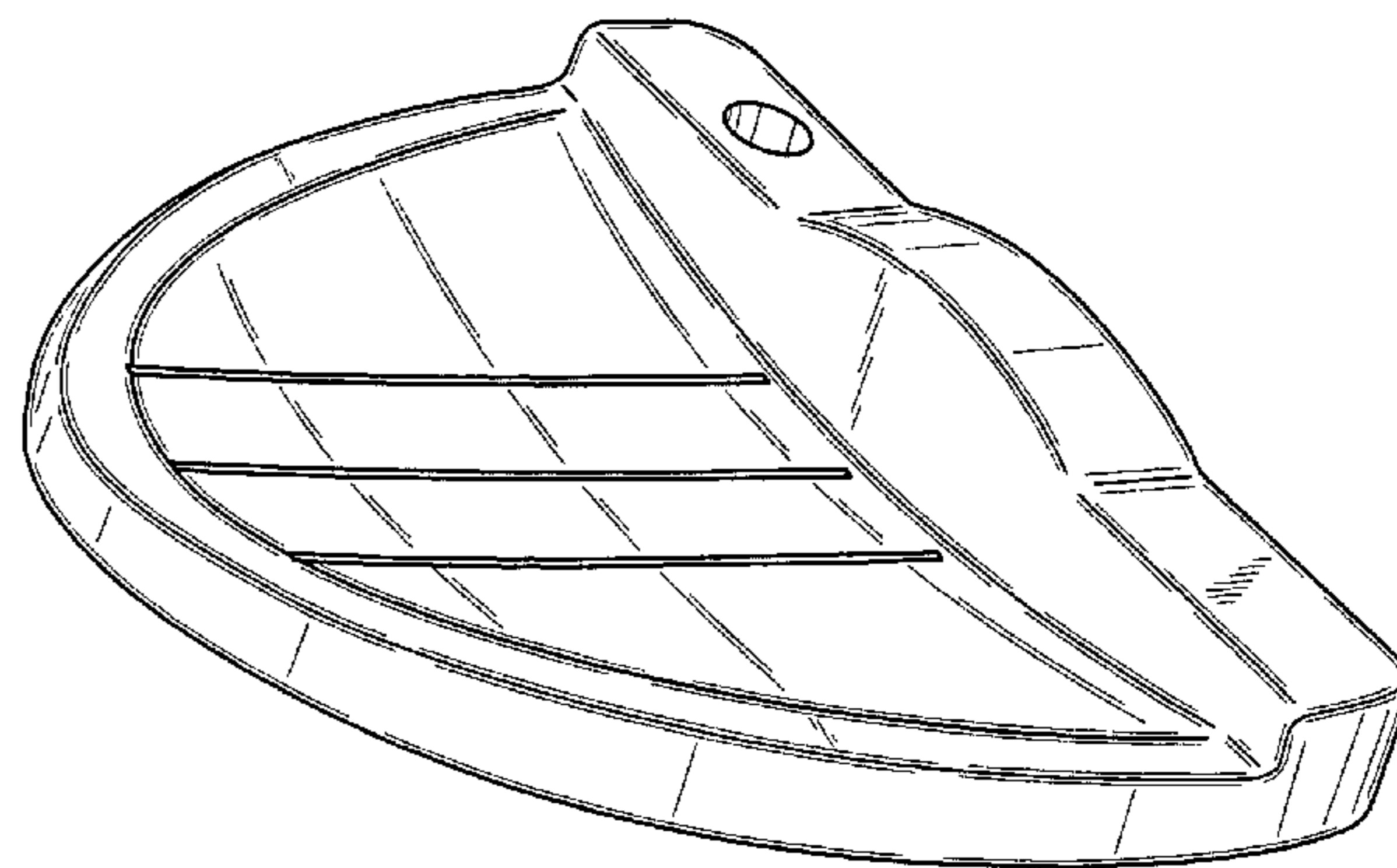
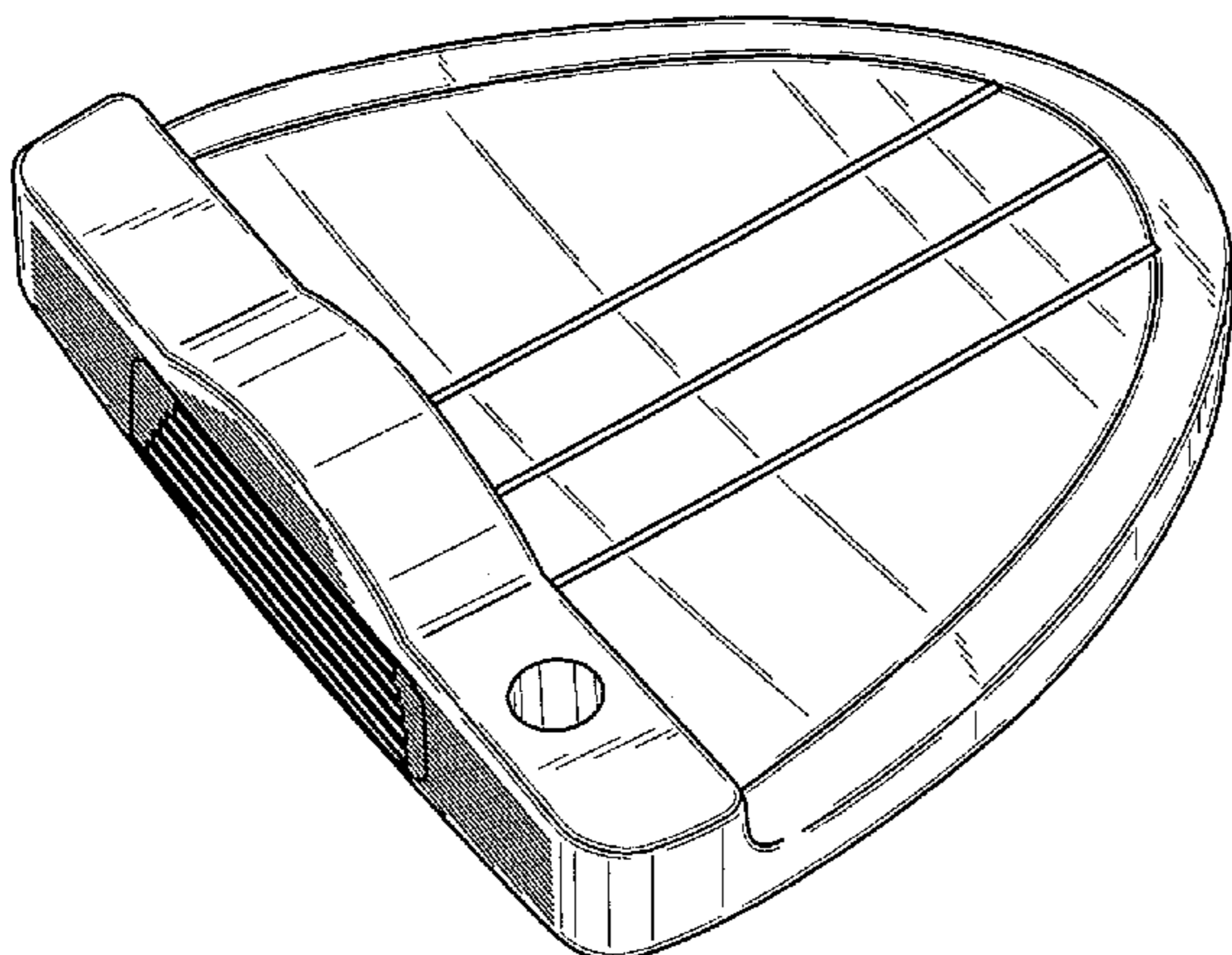
FIG. 6 is a right side view thereof;

FIG. 7 is a front perspective view thereof;

FIG. 8 is a rear perspective view thereof; and,

FIG. 9 is a partly enlarged front view thereof.

1 Claim, 5 Drawing Sheets



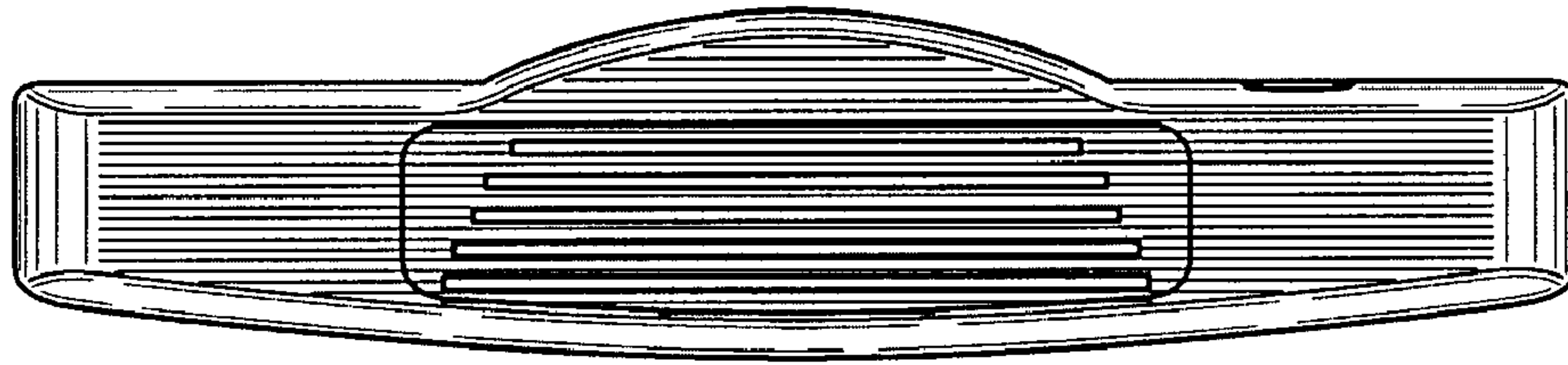


Fig. 1

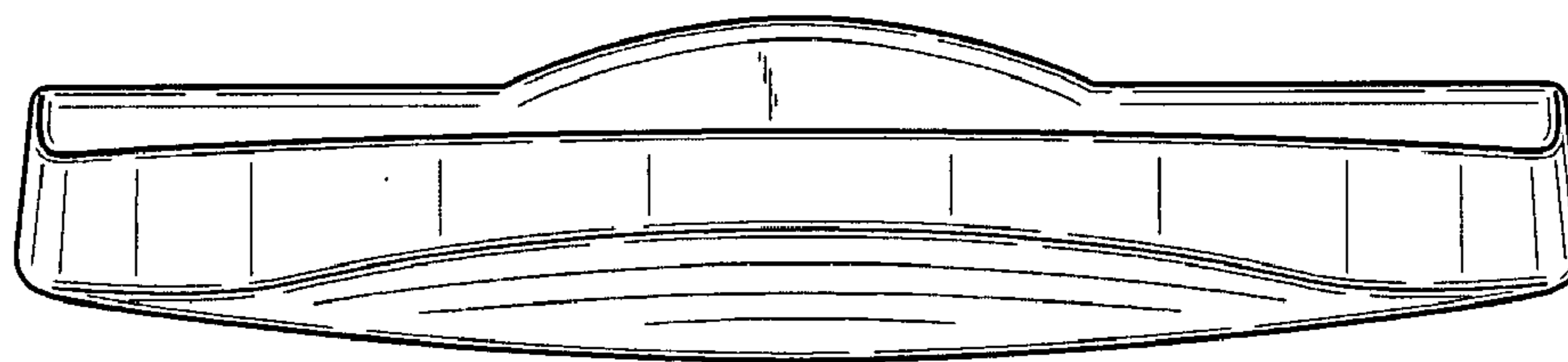


Fig. 2

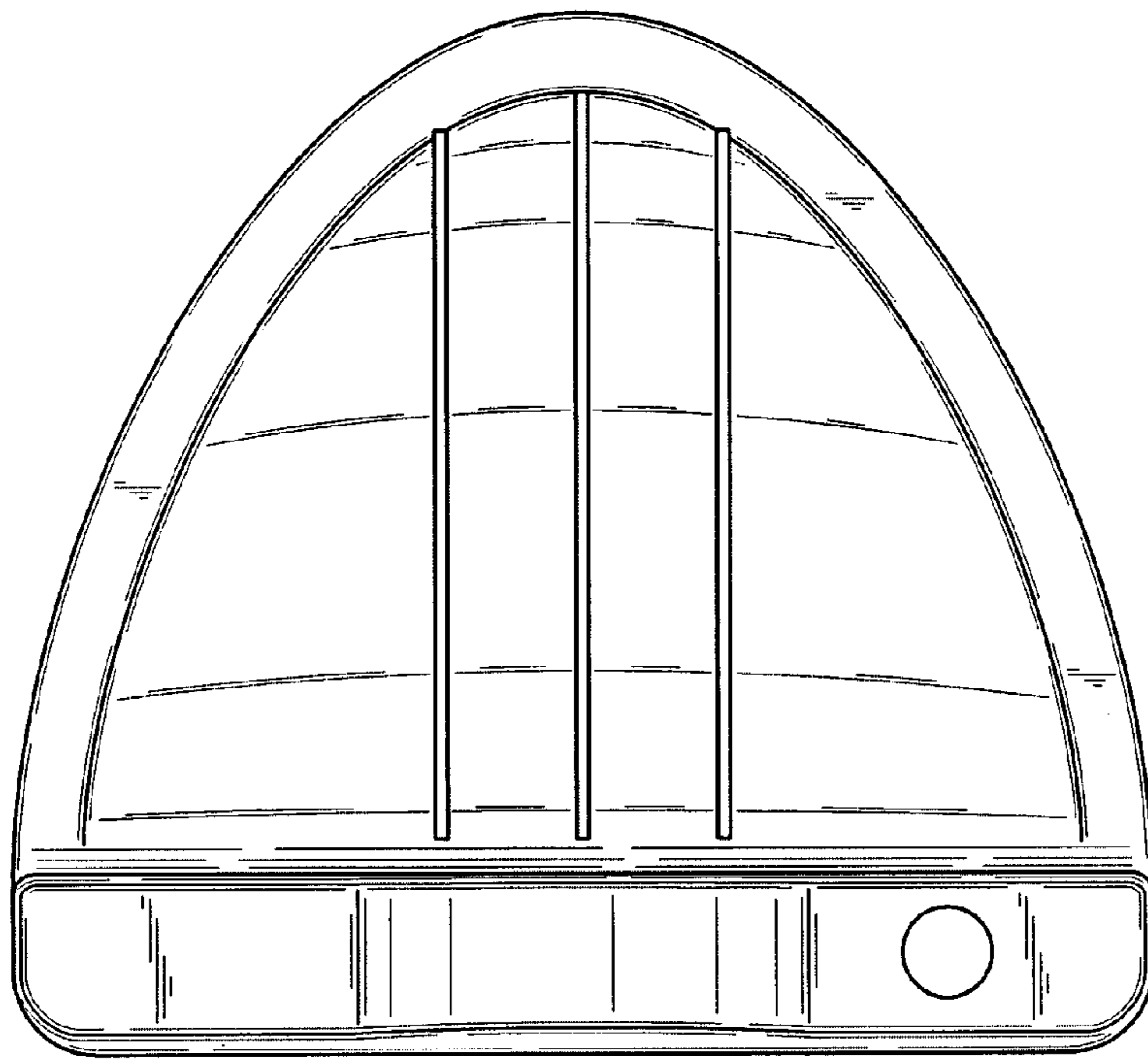


Fig. 3

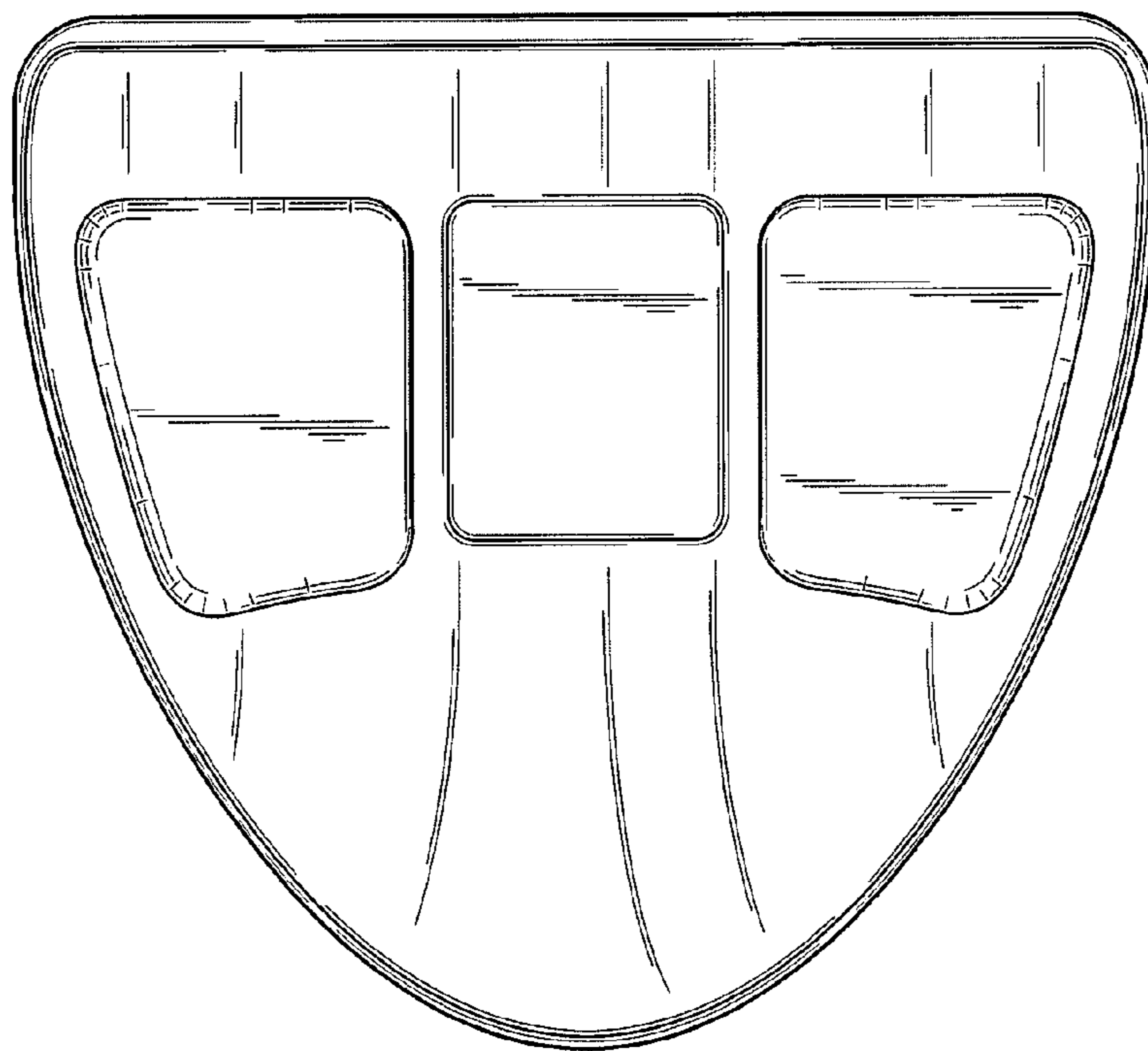


Fig. 4

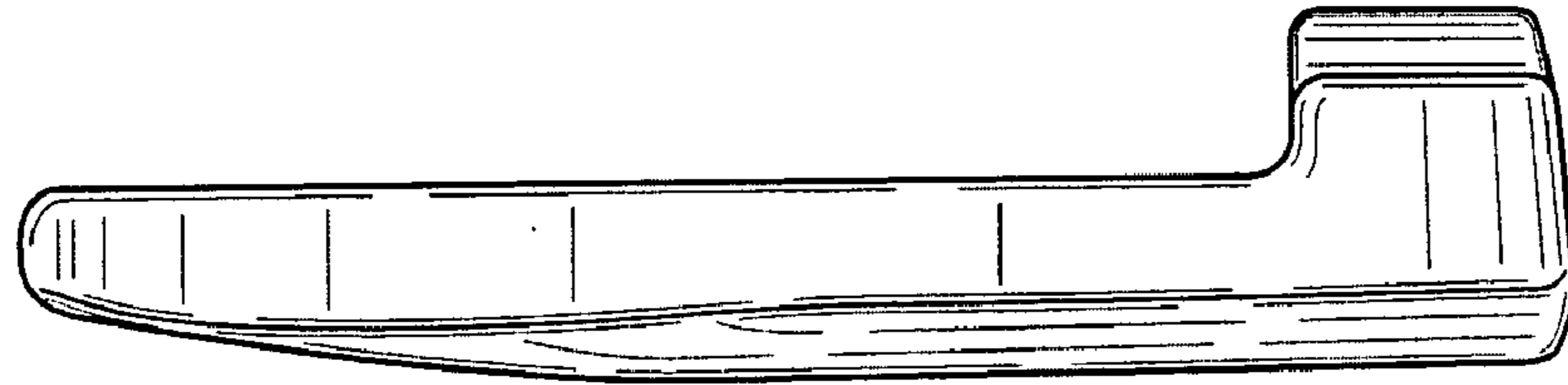


Fig. 5

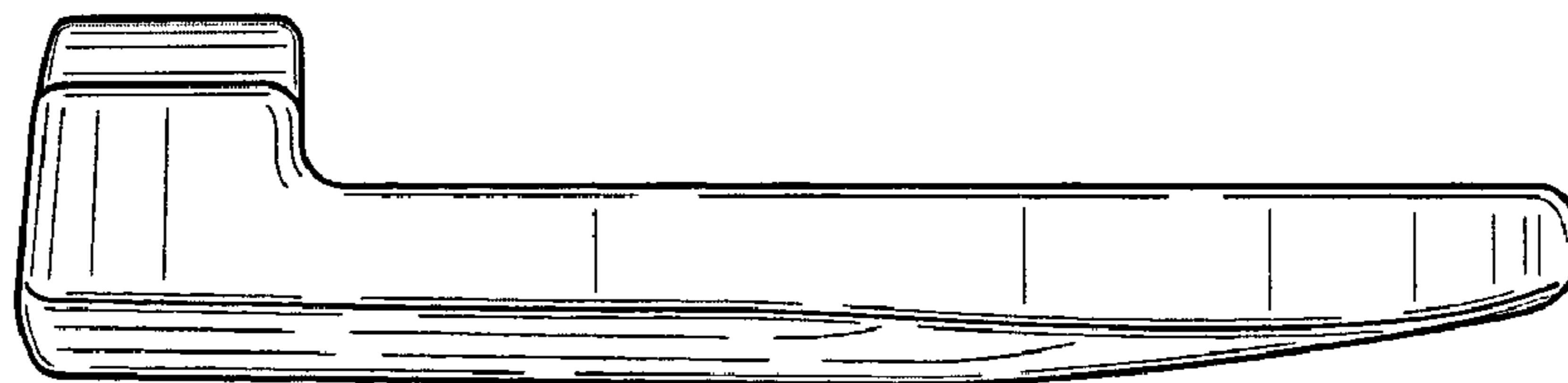


Fig. 6

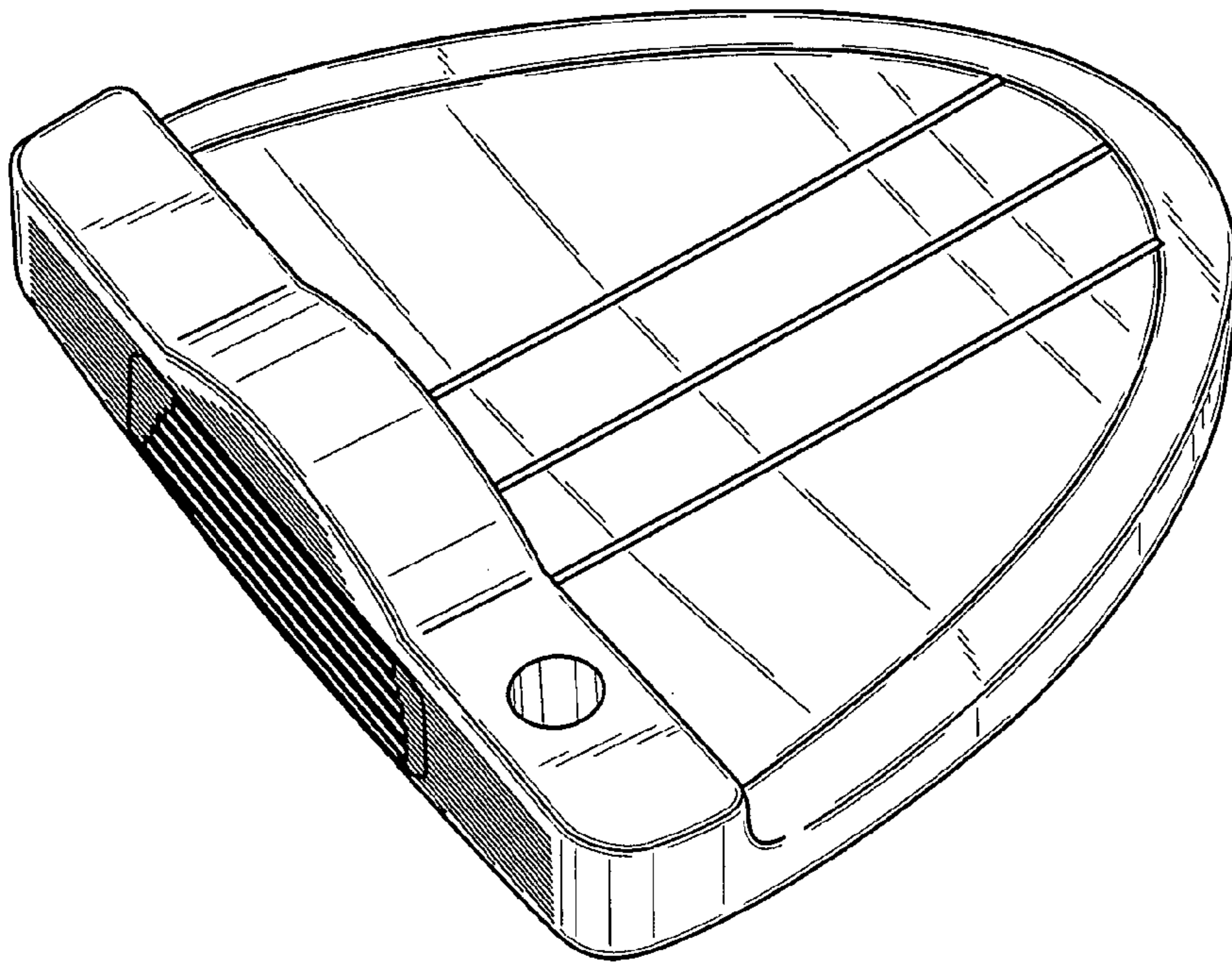


Fig. 7

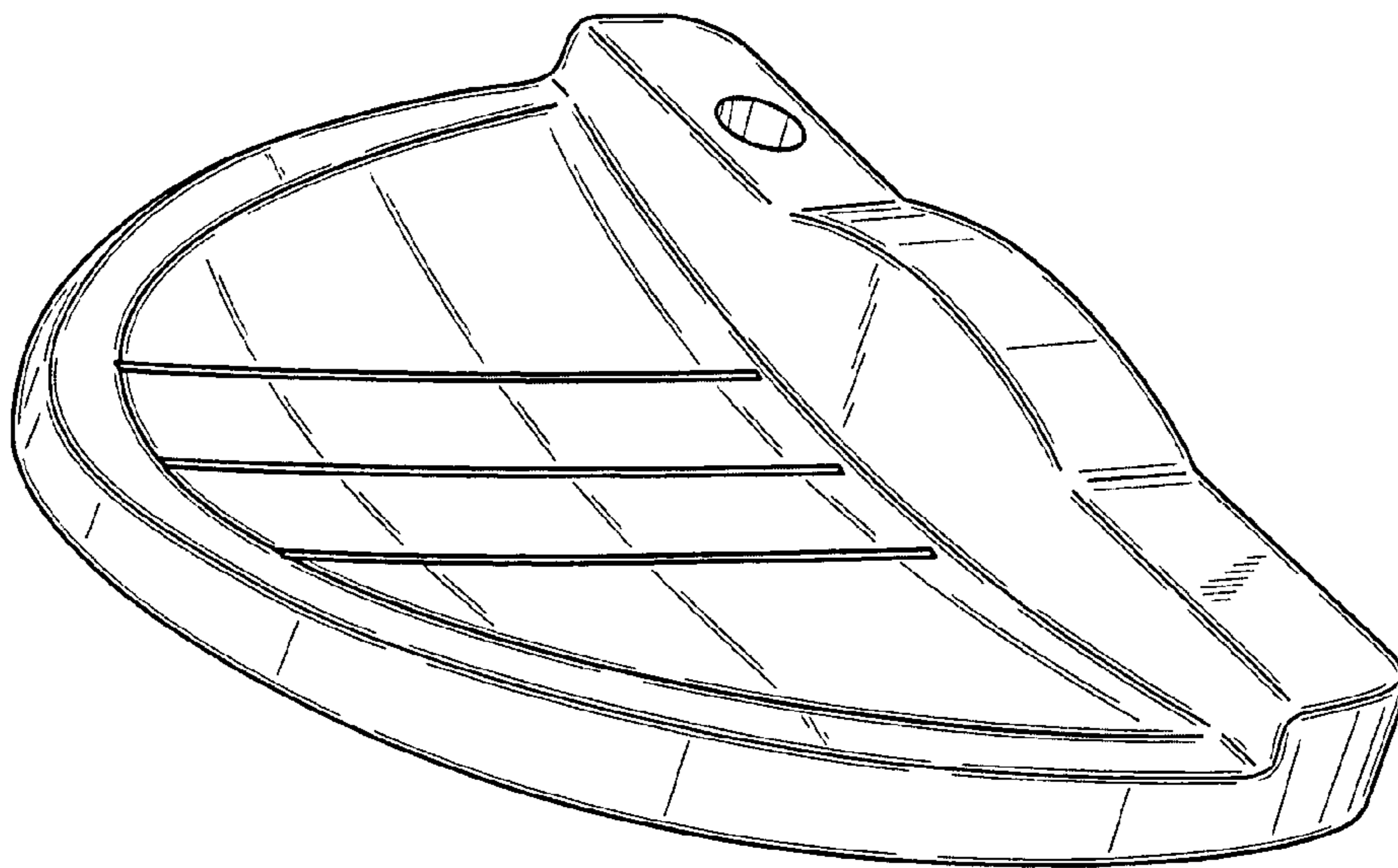


Fig. 8

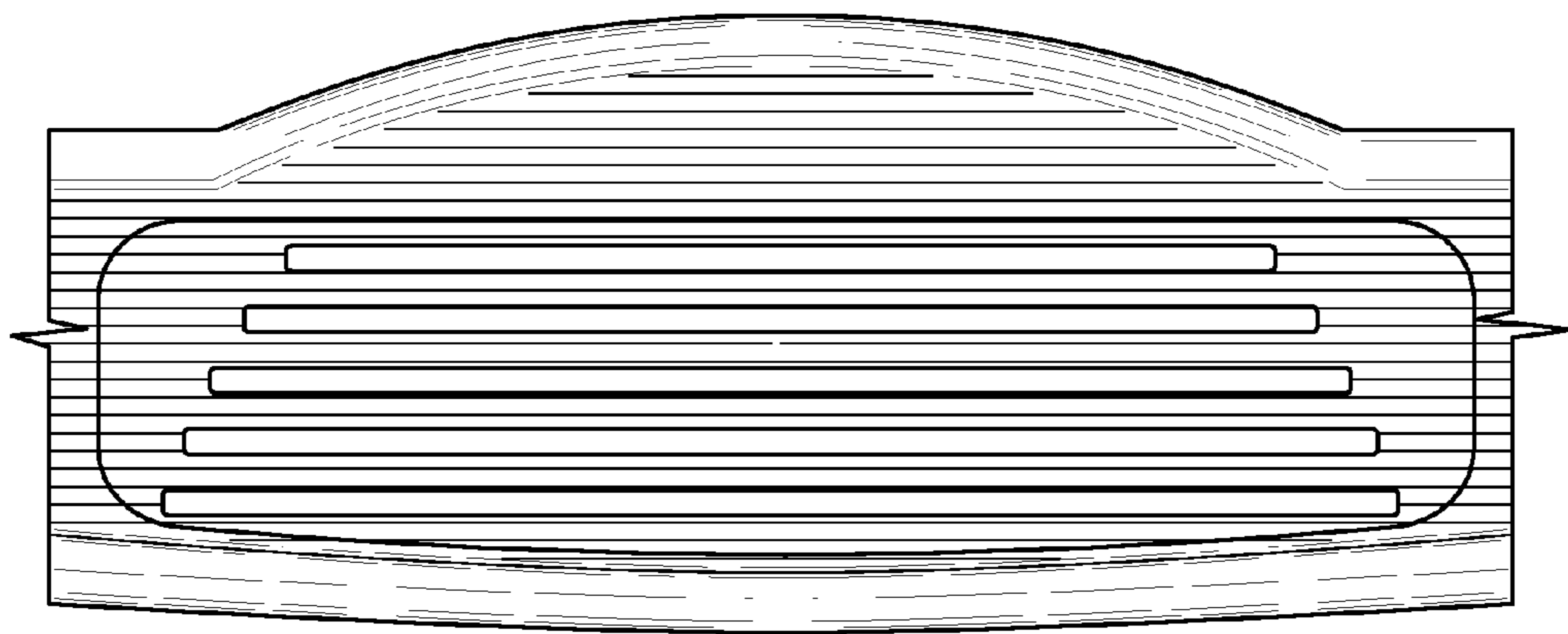


Fig. 9