



US00D571878S

(12) **United States Design Patent**
Jones et al.

(10) **Patent No.:** **US D571,878 S**
(45) **Date of Patent:** **** Jun. 24, 2008**

(54) **GOLF PUTTER HEAD**

D560,736 S * 1/2008 Tateno D21/744
D566,212 S * 4/2008 Bardha D21/736

(75) Inventors: **David D. Jones**, Glendale, AZ (US);
Xiaojian Chen, Phoenix, AZ (US)

* cited by examiner

(73) Assignee: **Karsten Manufacturing Corporation**,
Phoenix, AZ (US)

Primary Examiner—Mitchell I Siegel

(**) Term: **14 Years**

(57) **CLAIM**

(21) Appl. No.: **29/282,459**

The ornamental design for a golf putter head, as shown and described.

(22) Filed: **Jul. 20, 2007**

DESCRIPTION

(51) **LOC (8) Cl.** **21-02**

FIG. 1 is a top perspective view of an example golf putter head;

(52) **U.S. Cl.** **D21/736**

FIG. 2 is a bottom perspective view of the golf putter head of FIG. 1;

(58) **Field of Classification Search** D21/736-746;
473/324-331, 340-341, 251-256

FIG. 3 is a front elevational view of the golf putter head of FIG. 1;

See application file for complete search history.

FIG. 4 is a rear elevational view of the golf putter head of FIG. 1;

(56) **References Cited**

U.S. PATENT DOCUMENTS

D307,455 S *	4/1990	Boone	D21/744
D524,887 S *	7/2006	Jones et al.	D21/736
D525,327 S	7/2006	Jones et al.		
D525,328 S *	7/2006	Solheim et al.	D21/736
D525,329 S *	7/2006	Jones et al.	D21/736
D527,777 S *	9/2006	Solheim et al.	D21/736
D547,403 S *	7/2007	Serrano et al.	D21/736
D547,405 S *	7/2007	Serrano et al.	D21/736
D550,795 S *	9/2007	Tateno	D21/744
D559,930 S *	1/2008	Cameron	D21/746

FIG. 5 is a top view of the golf putter head of FIG. 1;

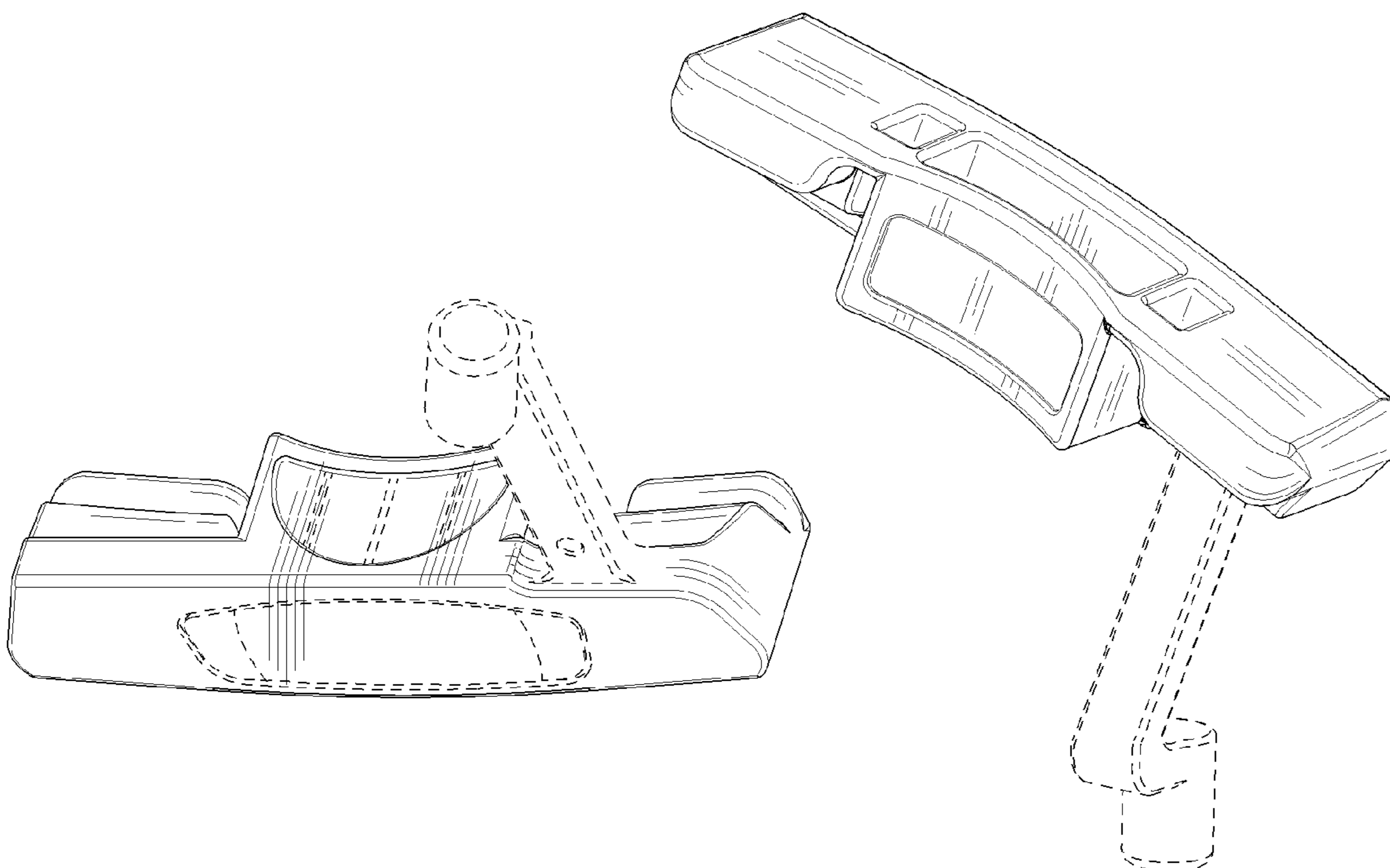
FIG. 6 is a bottom view of the golf putter head of FIG. 1;

FIG. 7 is a heel end view of the golf putter head of FIG. 1; and,

FIG. 8 is a toe end view of the golf putter head of FIG. 1.

The broken lines shown in FIGS. 1, 2, 3, 4, 5, 6, 7, and 8 are for illustrative purposes only and form no part of the claimed design.

1 Claim, 4 Drawing Sheets



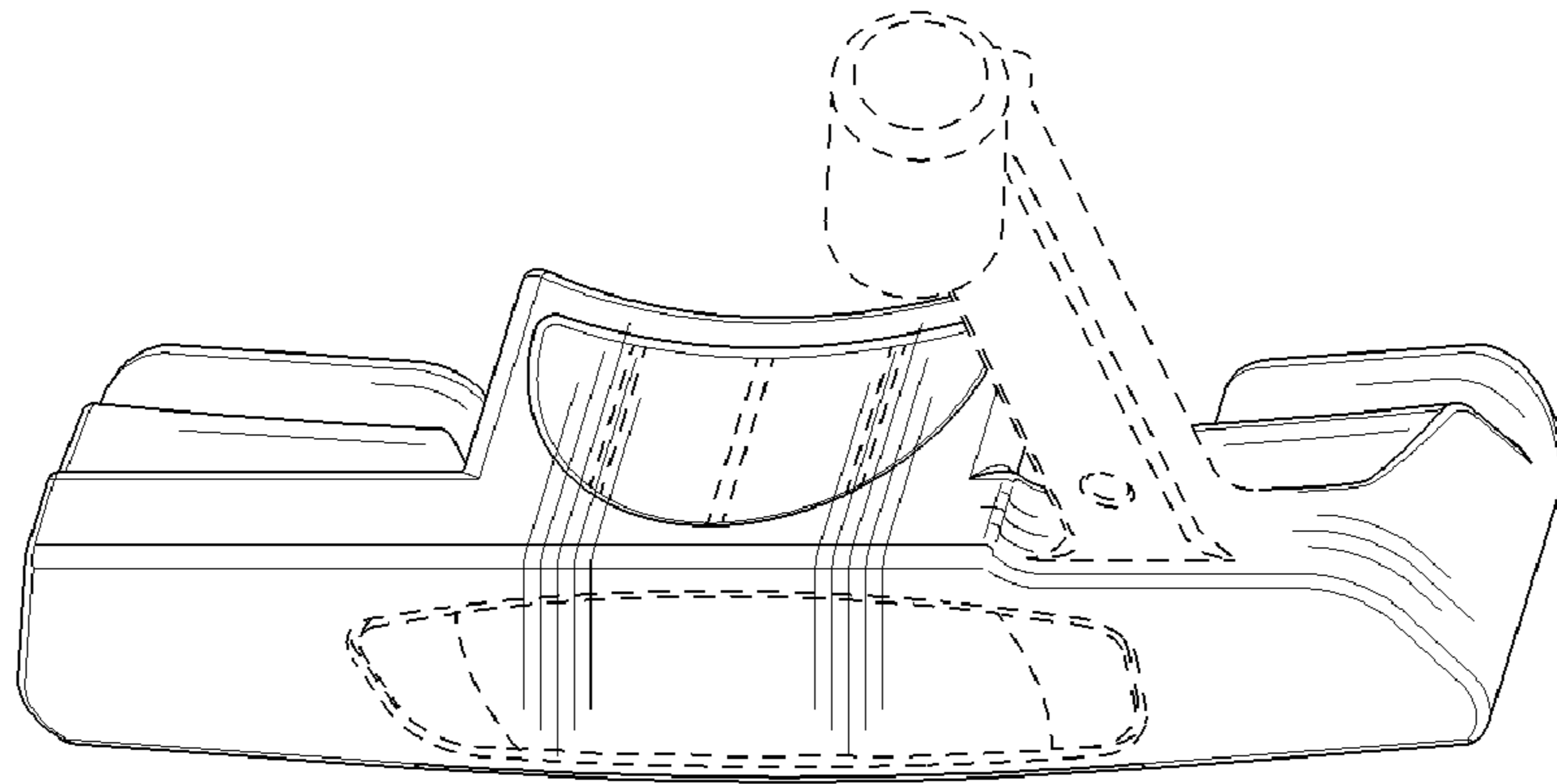


FIG. 1

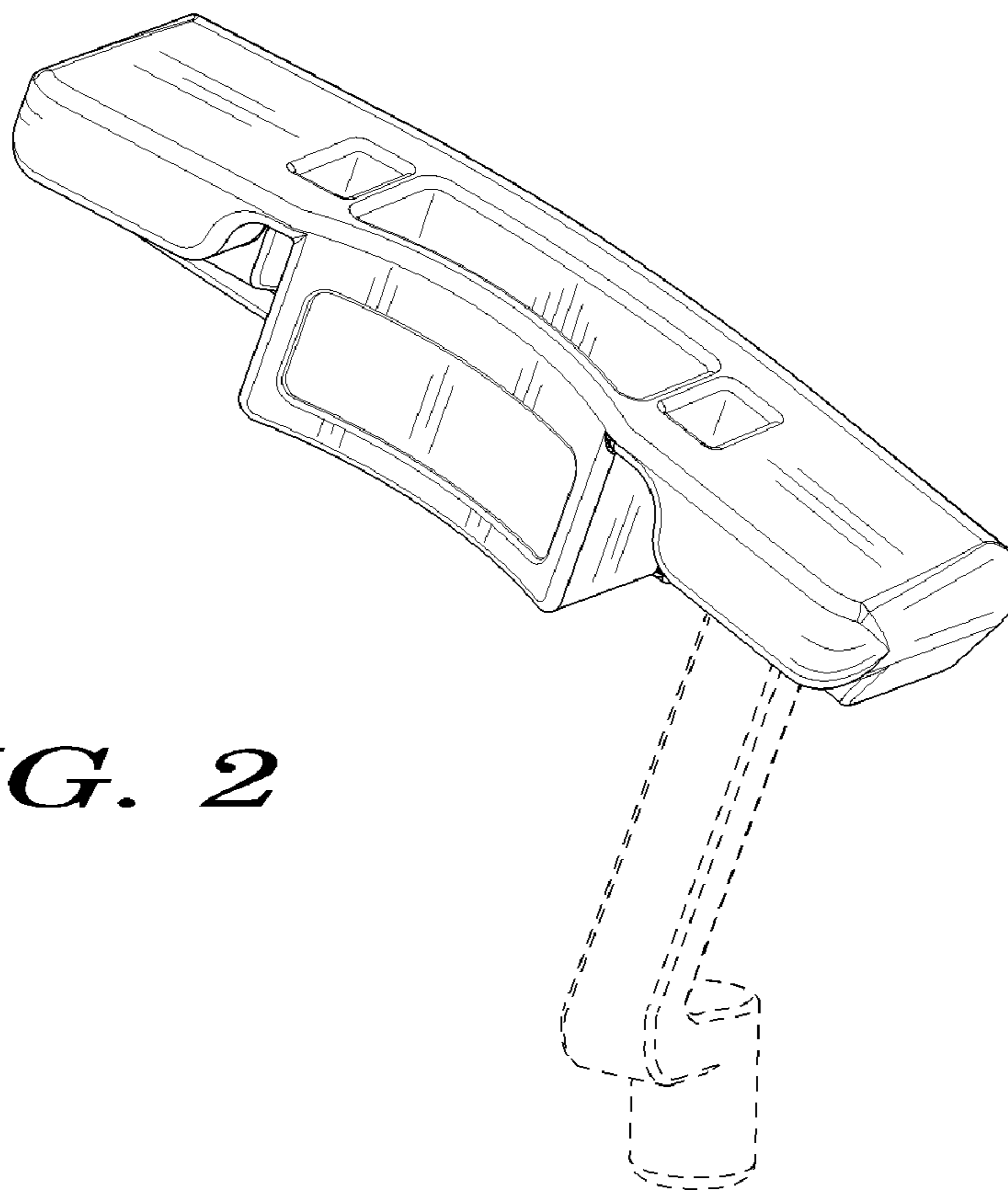


FIG. 2

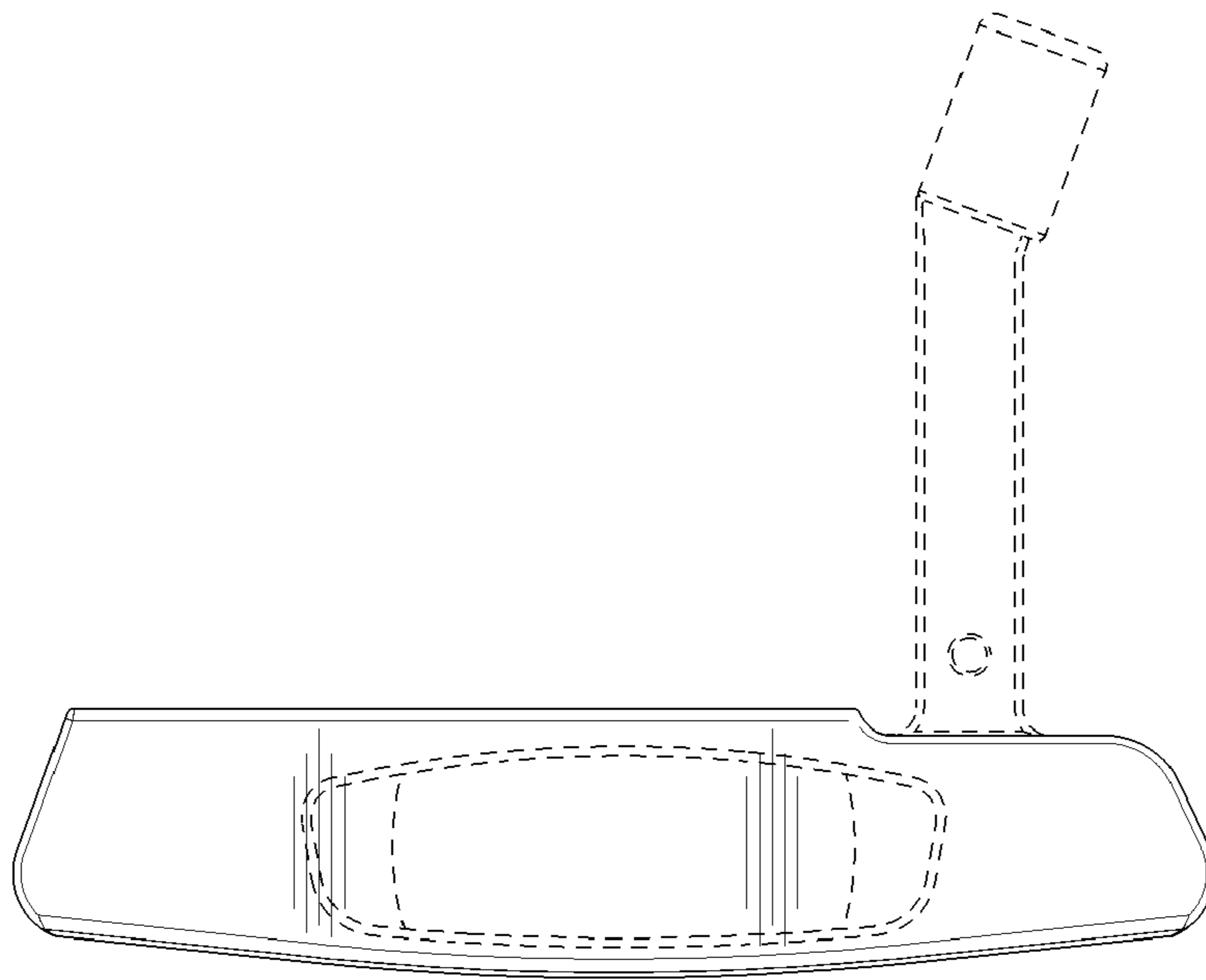


FIG. 3

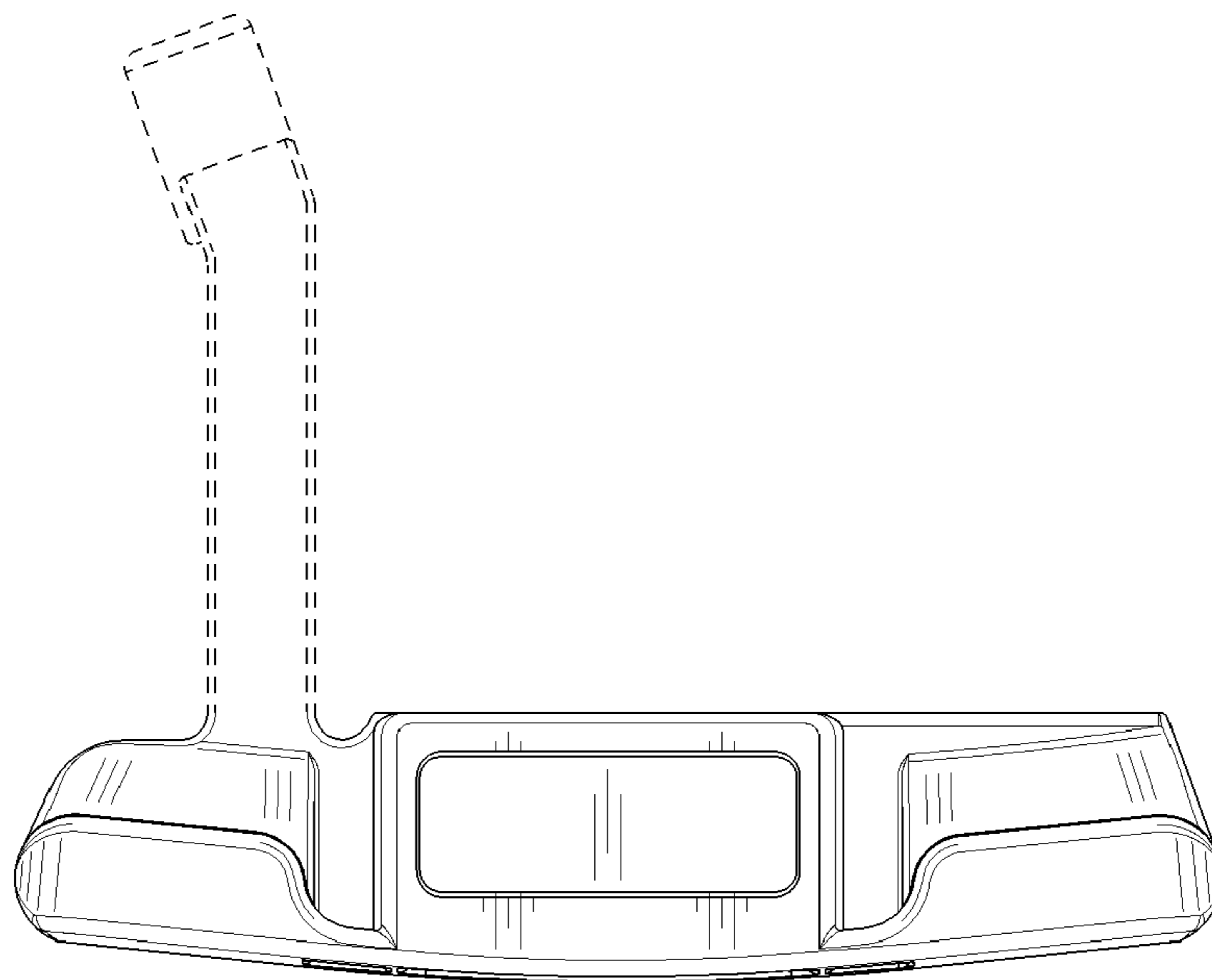


FIG. 4

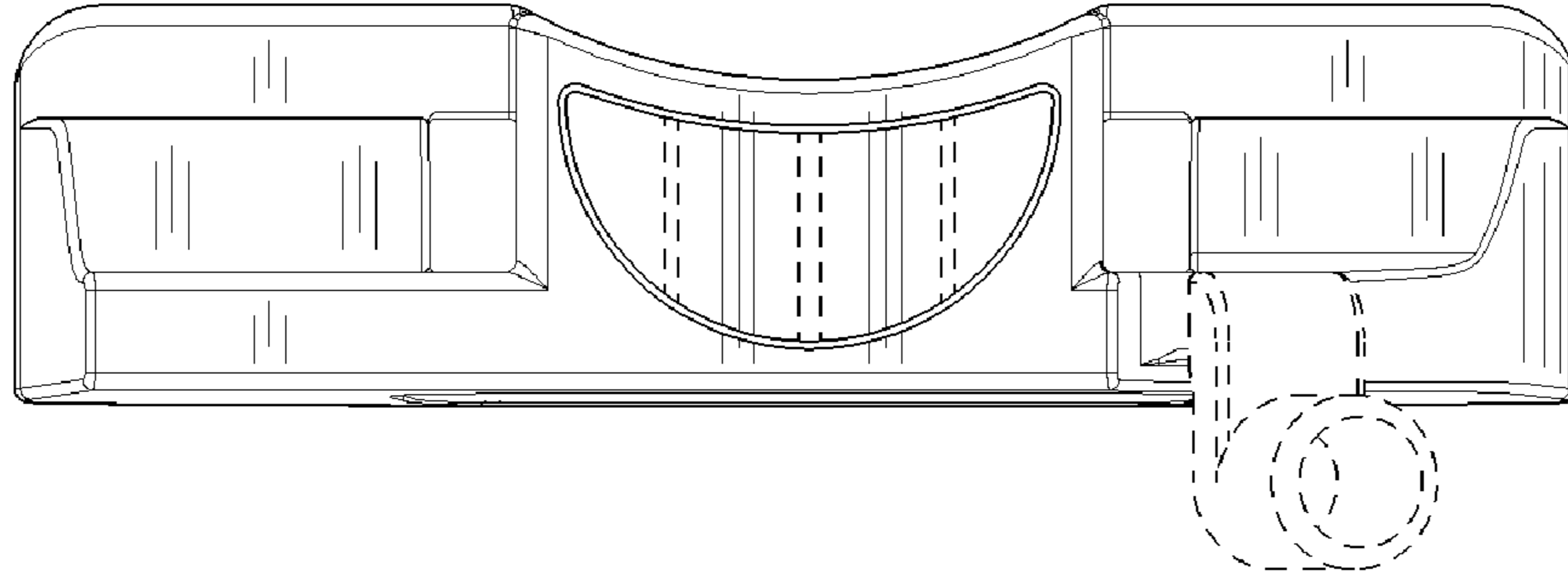


FIG. 5

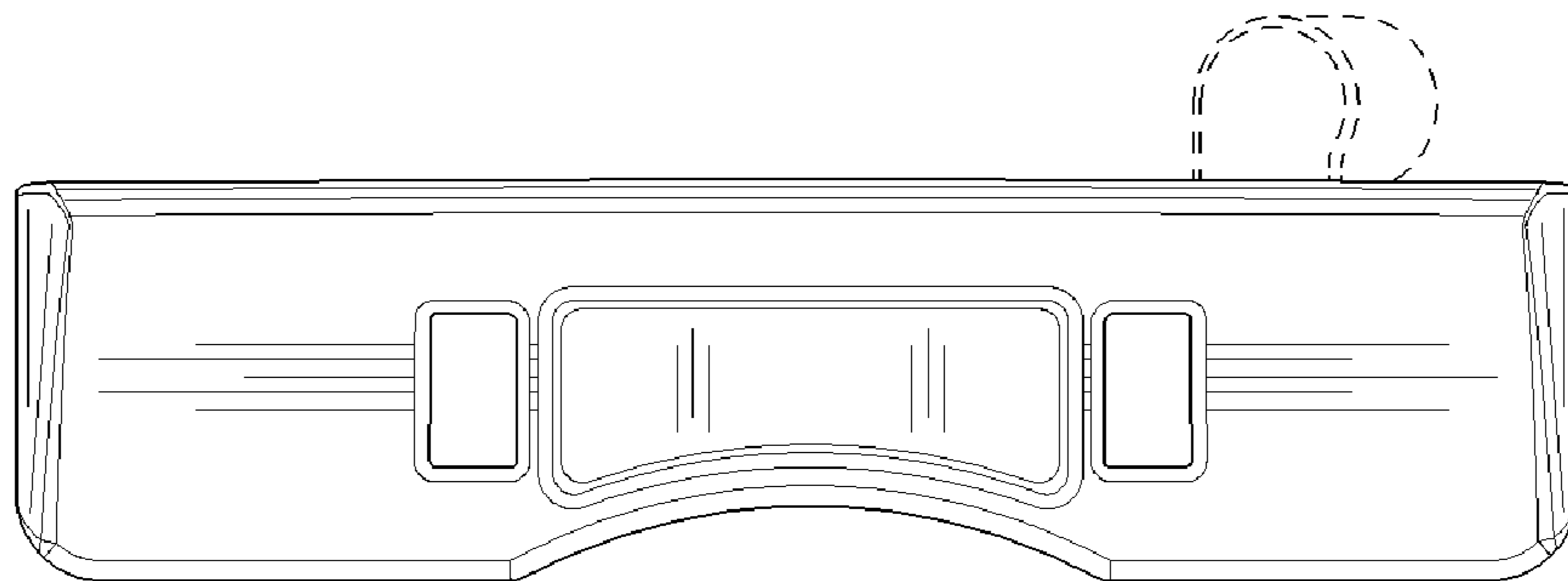


FIG. 6

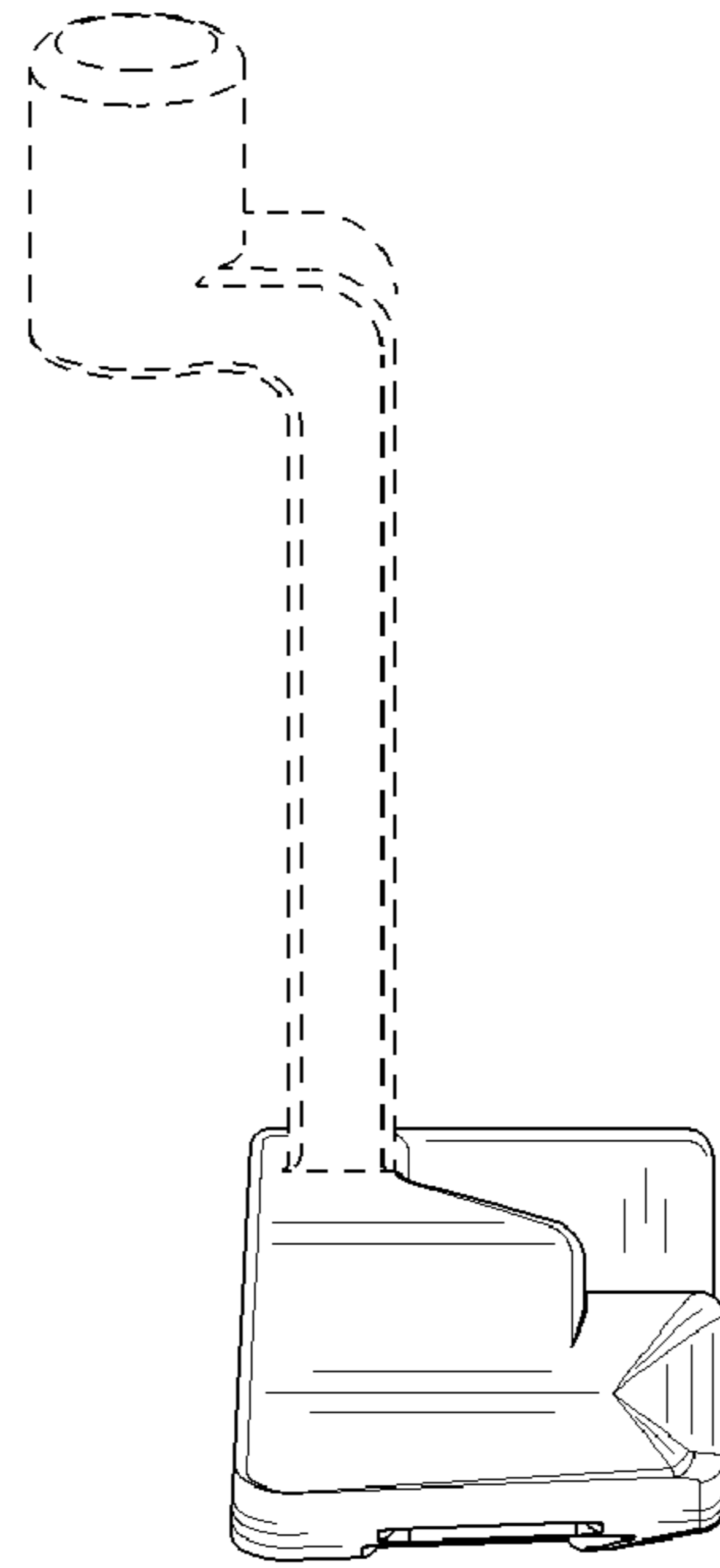


FIG. 7

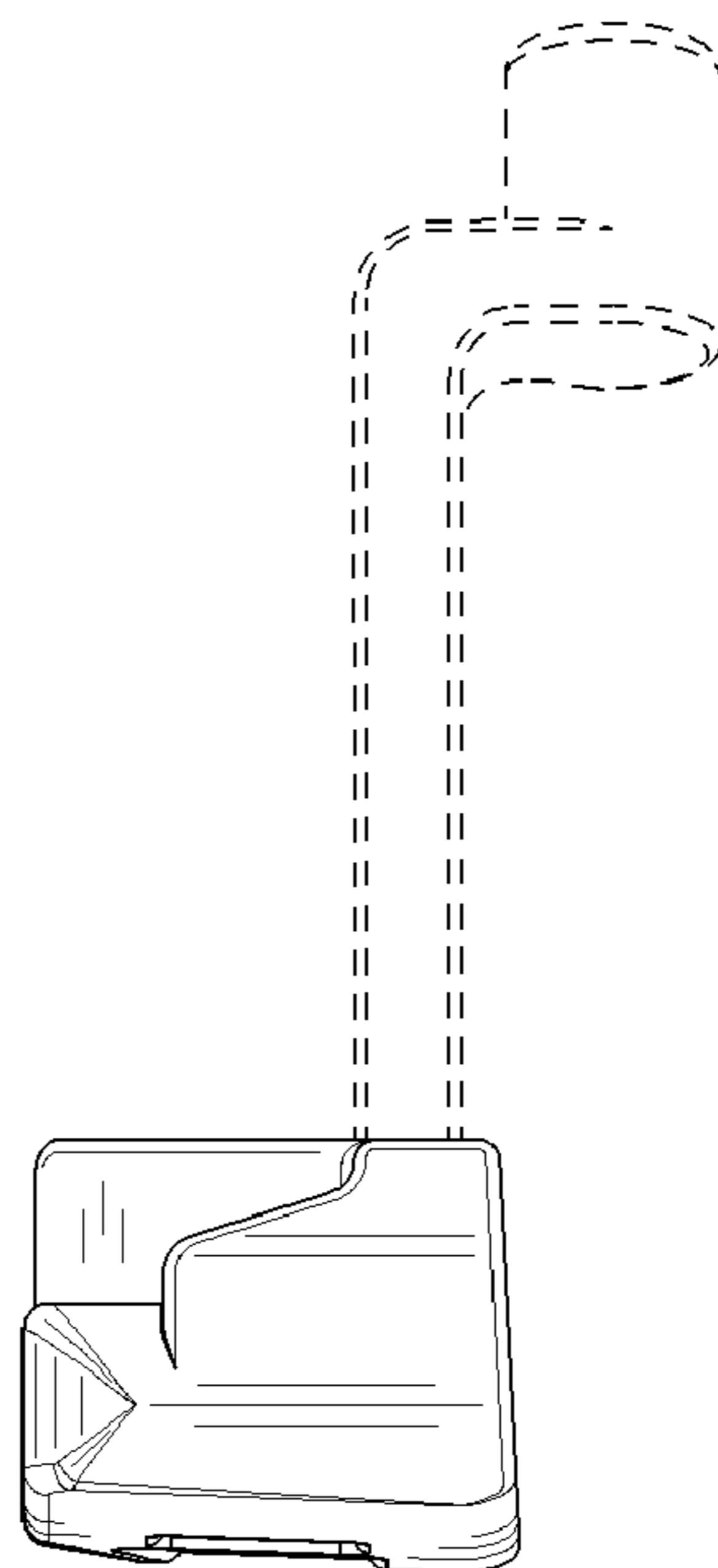


FIG. 8