



US00D571877S

(12) **United States Design Patent**
Jones et al.

(10) **Patent No.:** **US D571,877 S**
(45) **Date of Patent:** **** Jun. 24, 2008**

(54) **GOLF PUTTER HEAD**

(75) Inventors: **David D. Jones**, Glendale, AZ (US);
Xiaojian Chen, Phoenix, AZ (US)

(73) Assignee: **Karsten Manufacturing Corporation**,
Phoenix, AZ (US)

(**) Term: **14 Years**

(21) Appl. No.: **29/282,458**

(22) Filed: **Jul. 20, 2007**

(51) **LOC (8) Cl.** **21-02**

(52) **U.S. Cl.** **D21/736**

(58) **Field of Classification Search** D21/736-746;
473/324-331, 340-341, 251-256
See application file for complete search history.

(56) **References Cited**

U.S. PATENT DOCUMENTS

D307,455 S *	4/1990	Boone	D21/744
D500,109 S	12/2004	Solheim et al.		
D500,110 S	12/2004	Solheim et al.		
6,960,140 B2	11/2005	Solheim et al.		
6,966,845 B2	11/2005	Solheim et al.		
7,052,411 B2	5/2006	Solheim et al.		
D522,598 S	6/2006	Solheim et al.		
D524,887 S	7/2006	Jones et al.		
D525,327 S *	7/2006	Jones et al.	D21/736
D525,328 S *	7/2006	Solheim et al.	D21/736
D525,329 S *	7/2006	Jones et al.	D21/736
7,086,957 B2	8/2006	Solheim et al.		
D527,777 S	9/2006	Solheim et al.		
D532,842 S	11/2006	Jones et al.		
D532,843 S	11/2006	Jones et al.		

7,235,021 B2	6/2007	Solheim et al.		
D547,404 S *	7/2007	Serrano et al.	D21/736
D550,795 S *	9/2007	Tateno	D21/744
D559,930 S *	1/2008	Cameron	D21/746
D560,736 S *	1/2008	Tateno	D21/744
D566,212 S *	4/2008	Bardha	D21/736

* cited by examiner

Primary Examiner—Mitchell I Siegel

(57) **CLAIM**

The ornamental design for a golf putter head, as shown and described.

DESCRIPTION

FIG. 1 is a top perspective view of an example golf putter head;

FIG. 2 is a bottom perspective view of the golf putter head of FIG. 1;

FIG. 3 is a front elevational view of the golf putter head of FIG. 1;

FIG. 4 is a rear elevational view of the golf putter head of FIG. 1;

FIG. 5 is a top view of the golf putter head of FIG. 1;

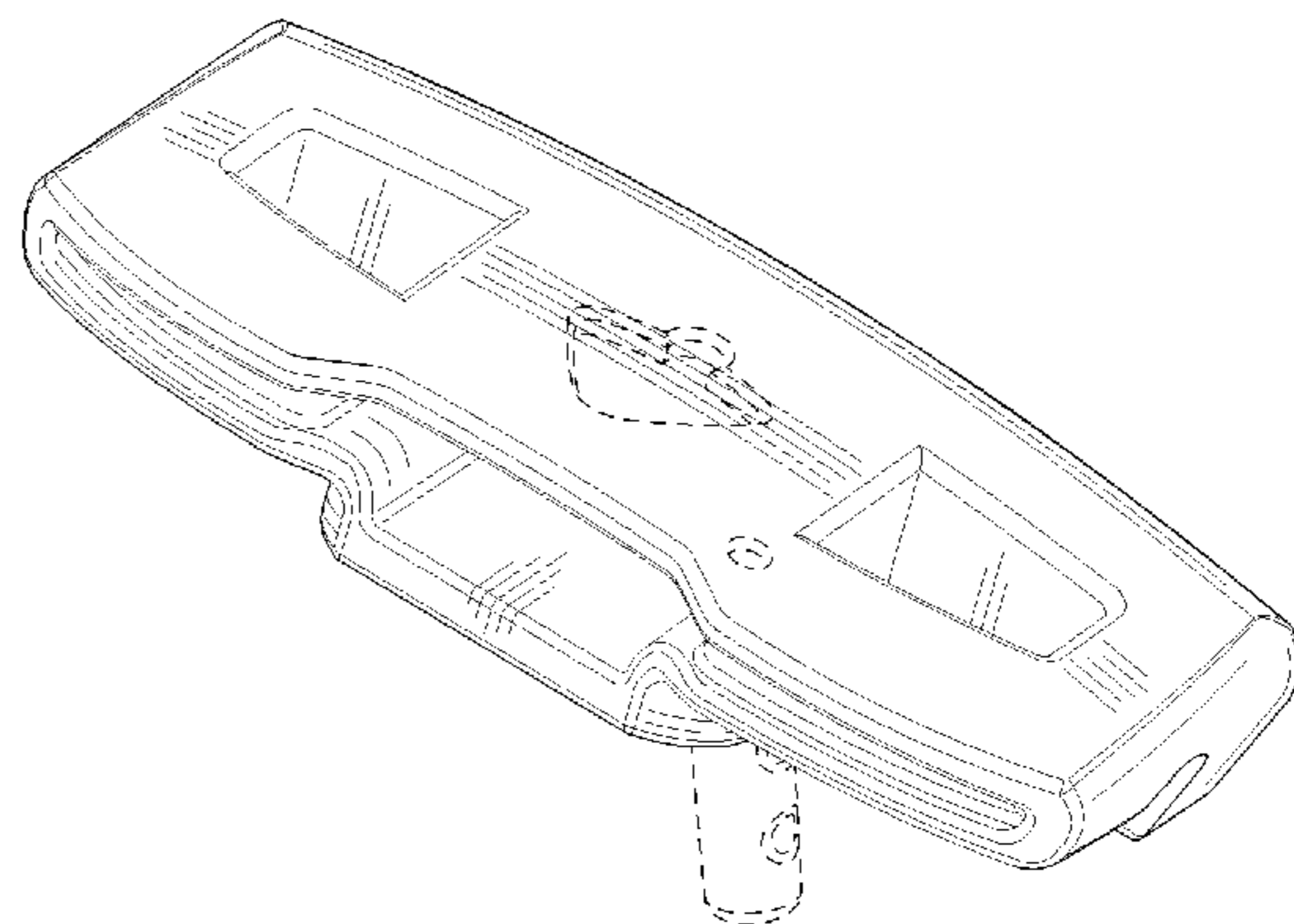
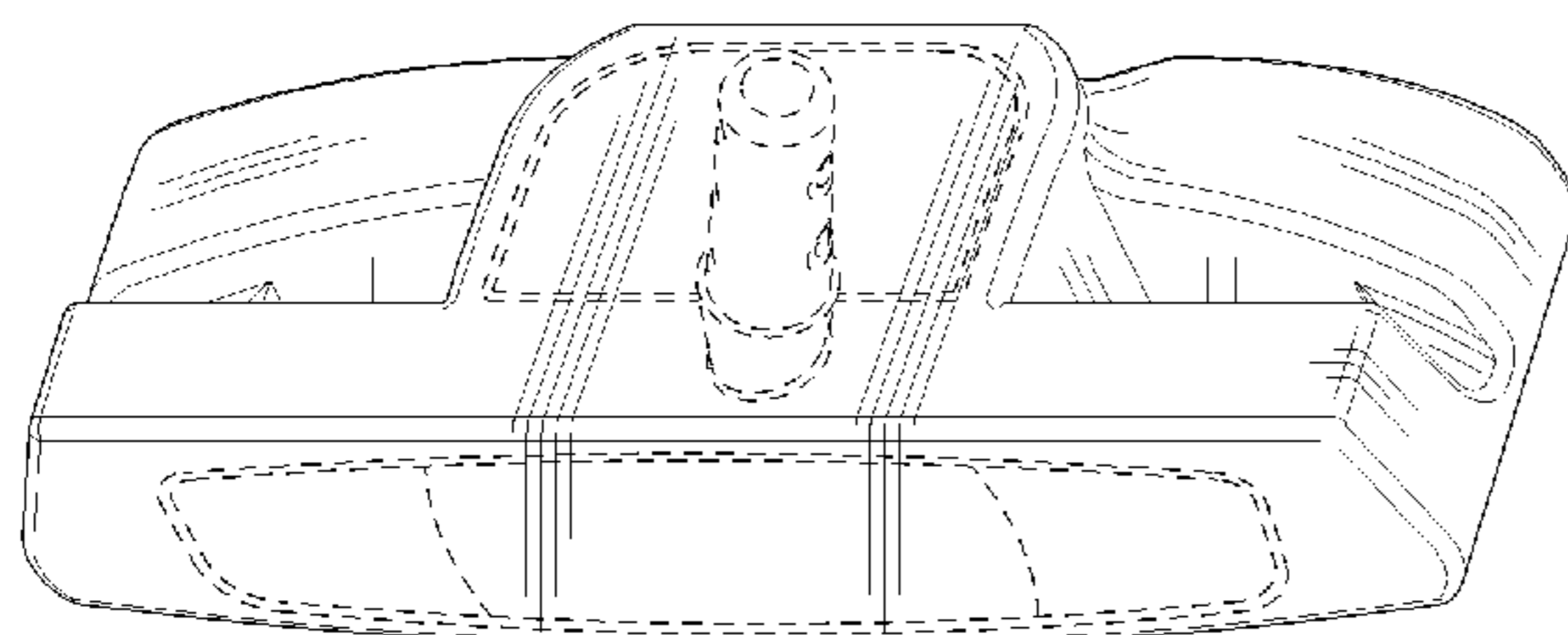
FIG. 6 is a bottom view of the golf putter head of FIG. 1;

FIG. 7 is a heel end view of the golf putter head of FIG. 1; and,

FIG. 8 is a toe end view of the golf putter head of FIG. 1.

The broken lines shown in FIGS. 1, 2, 3, 4, 5, 6, 7, and 8 are for illustrative purposes only and form no part of the claimed design.

1 Claim, 4 Drawing Sheets



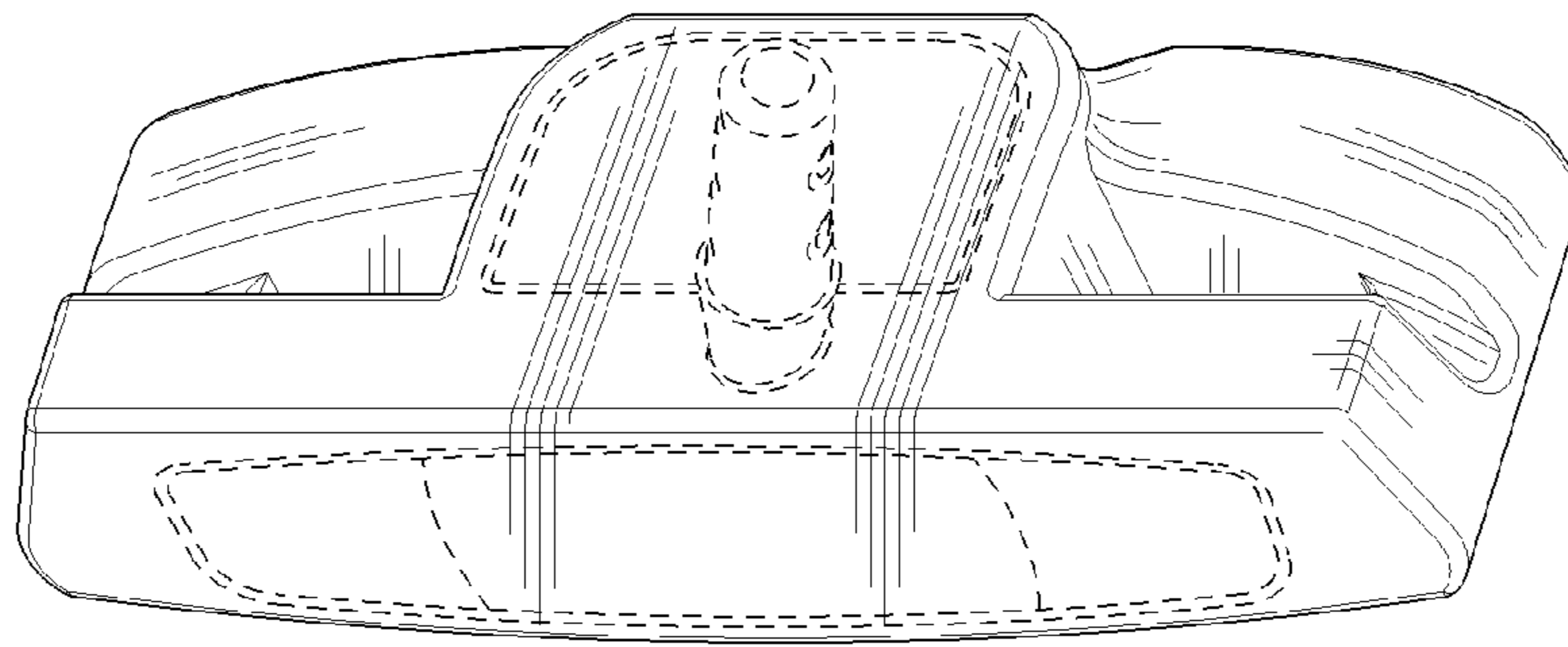


FIG. 1

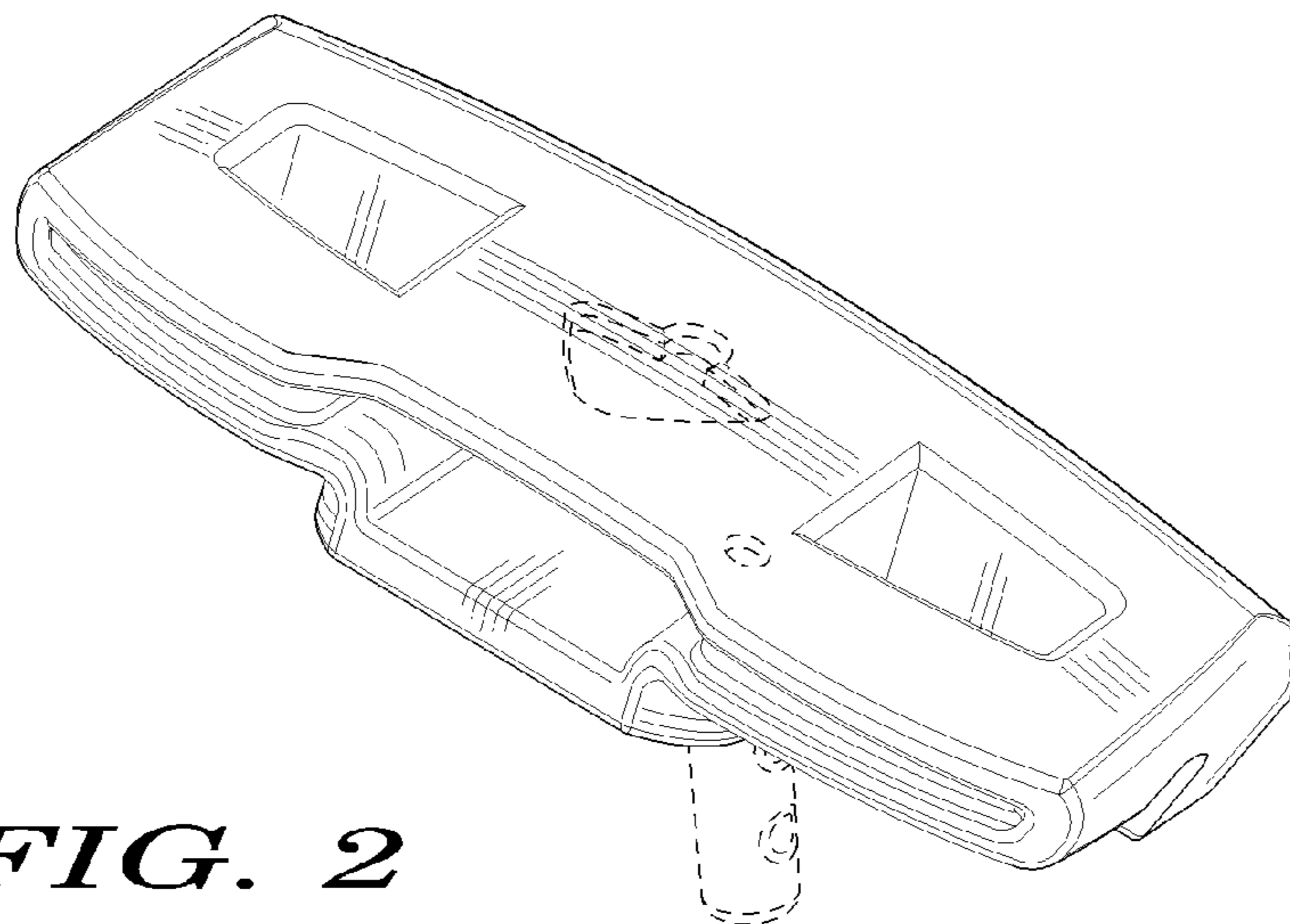


FIG. 2

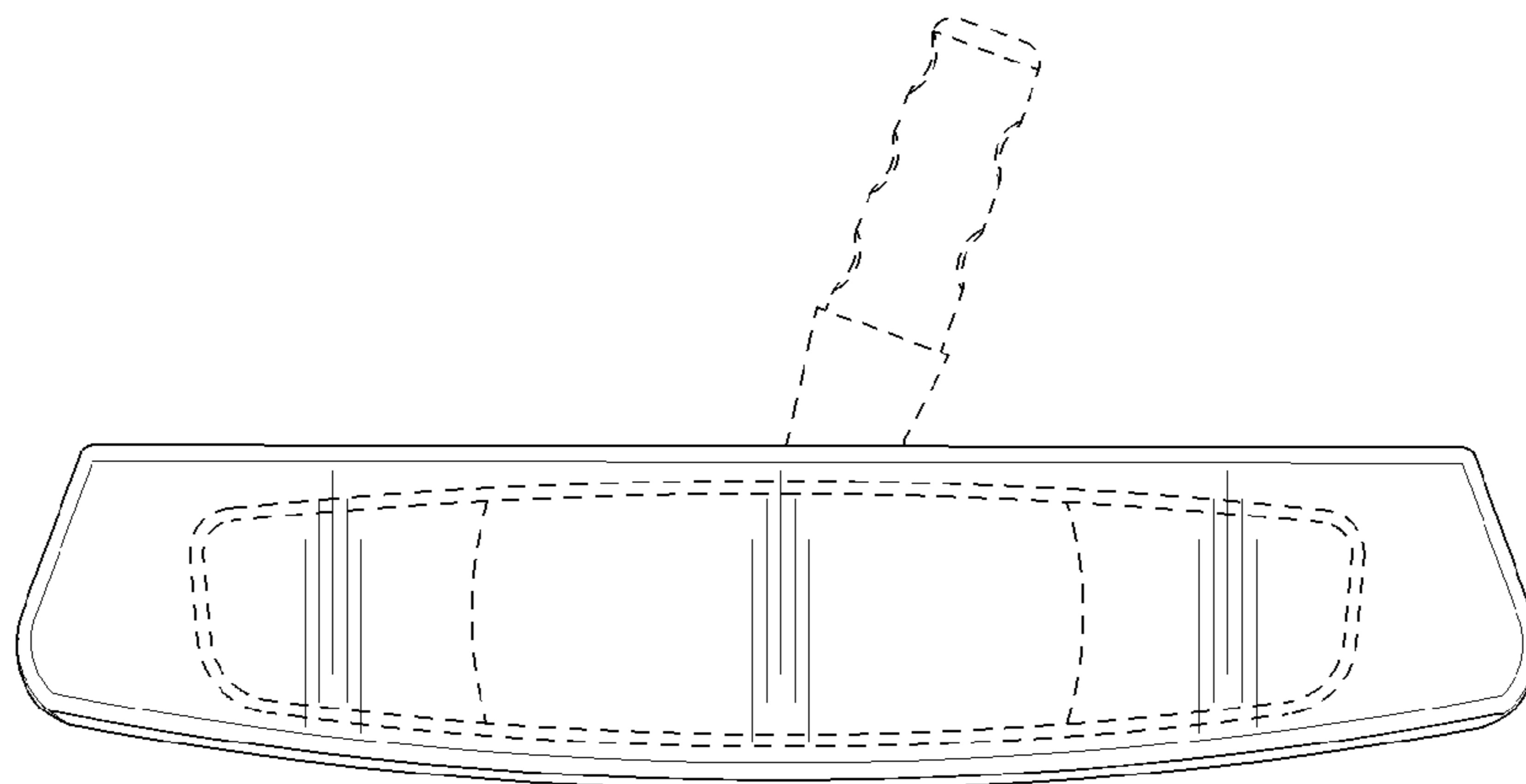


FIG. 3

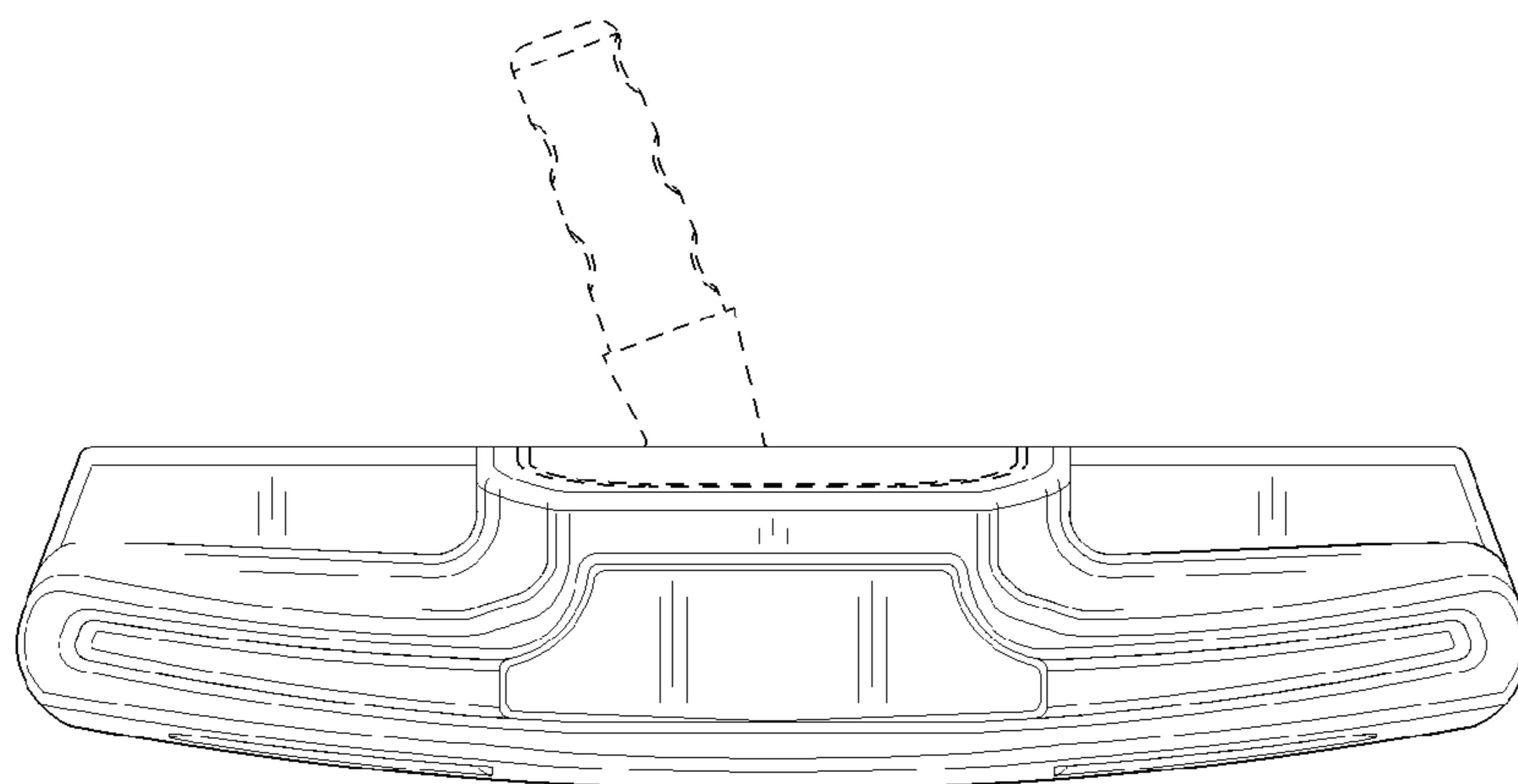


FIG. 4

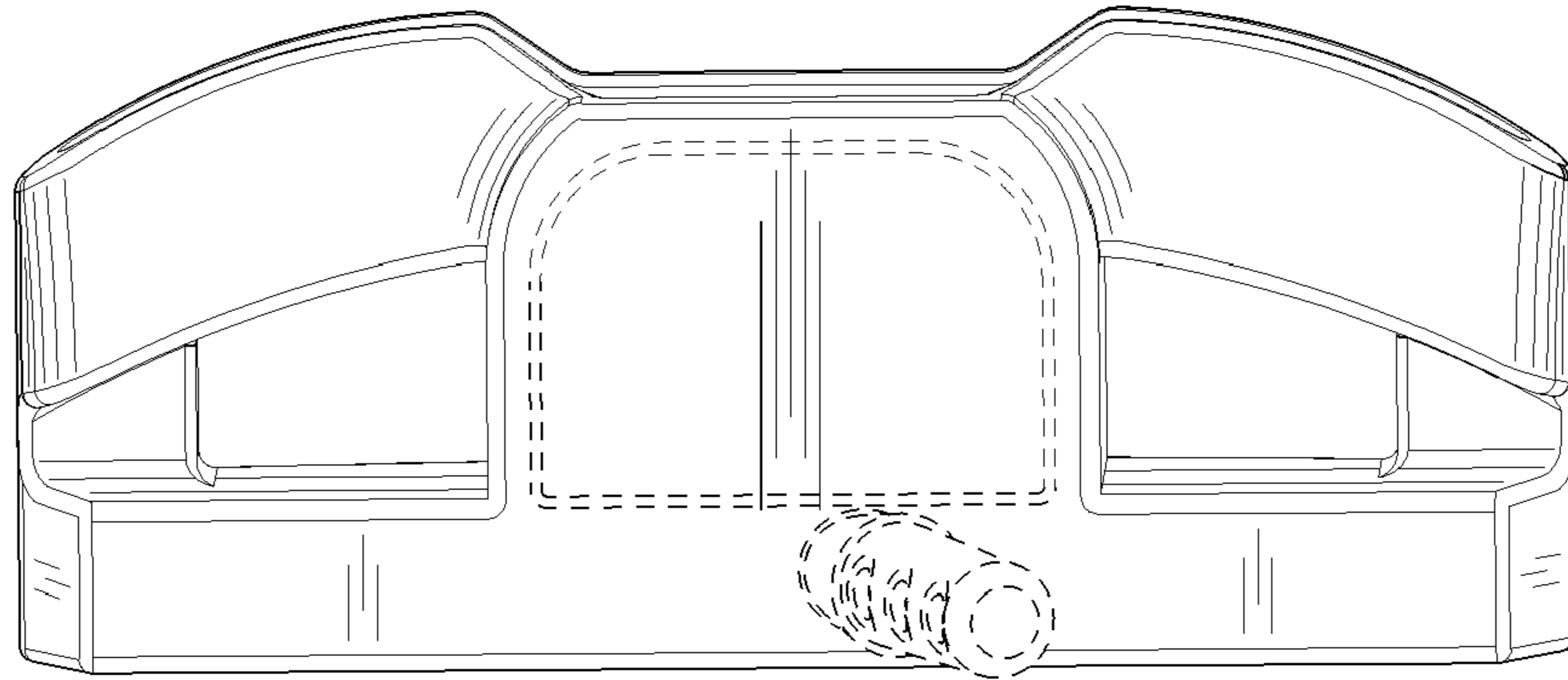


FIG. 5

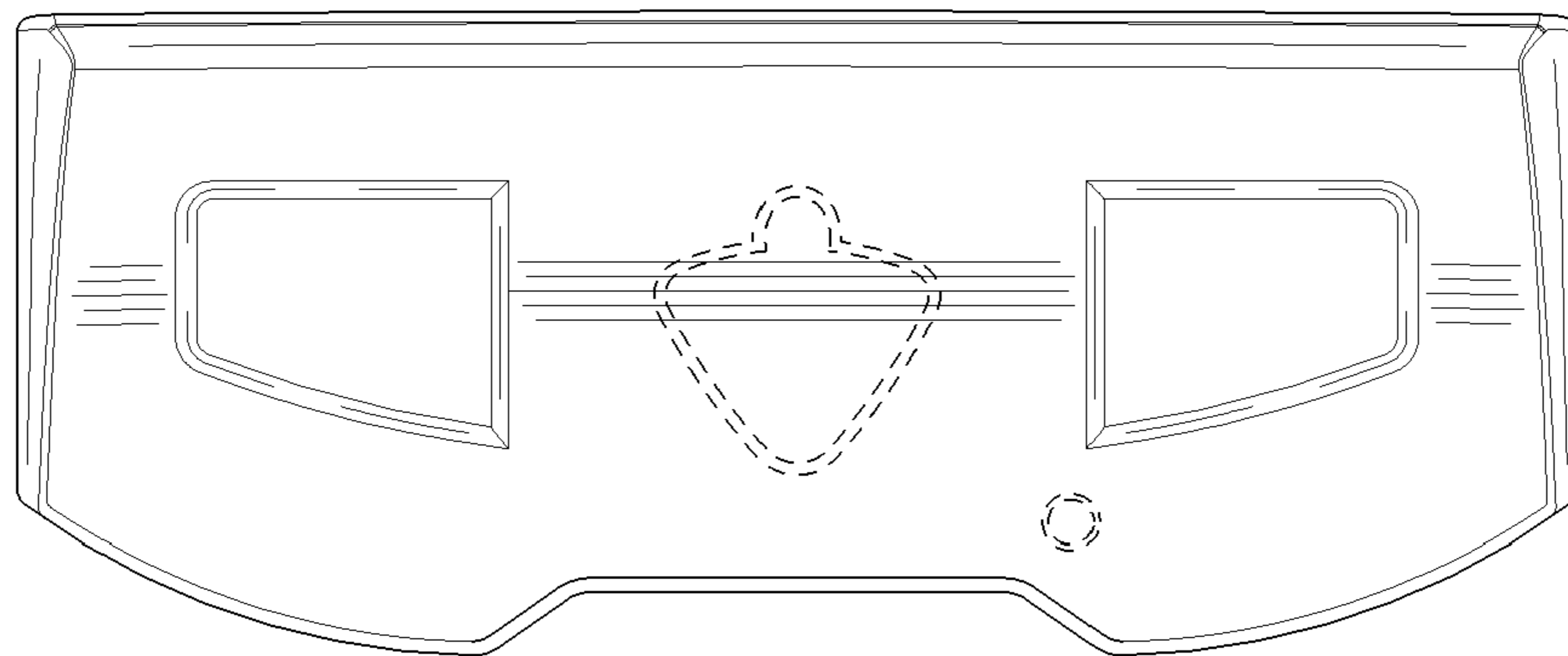


FIG. 6

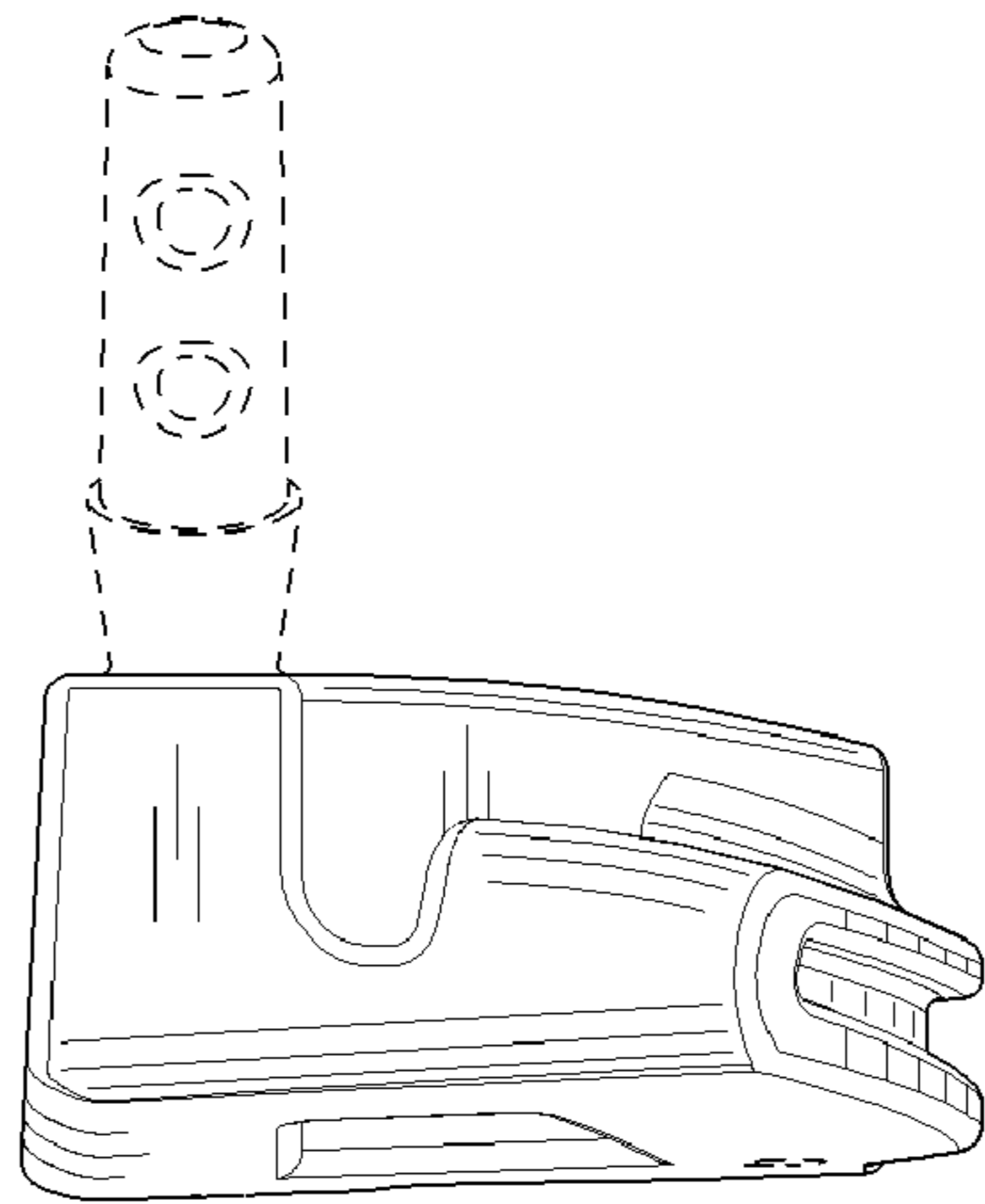


FIG. 7

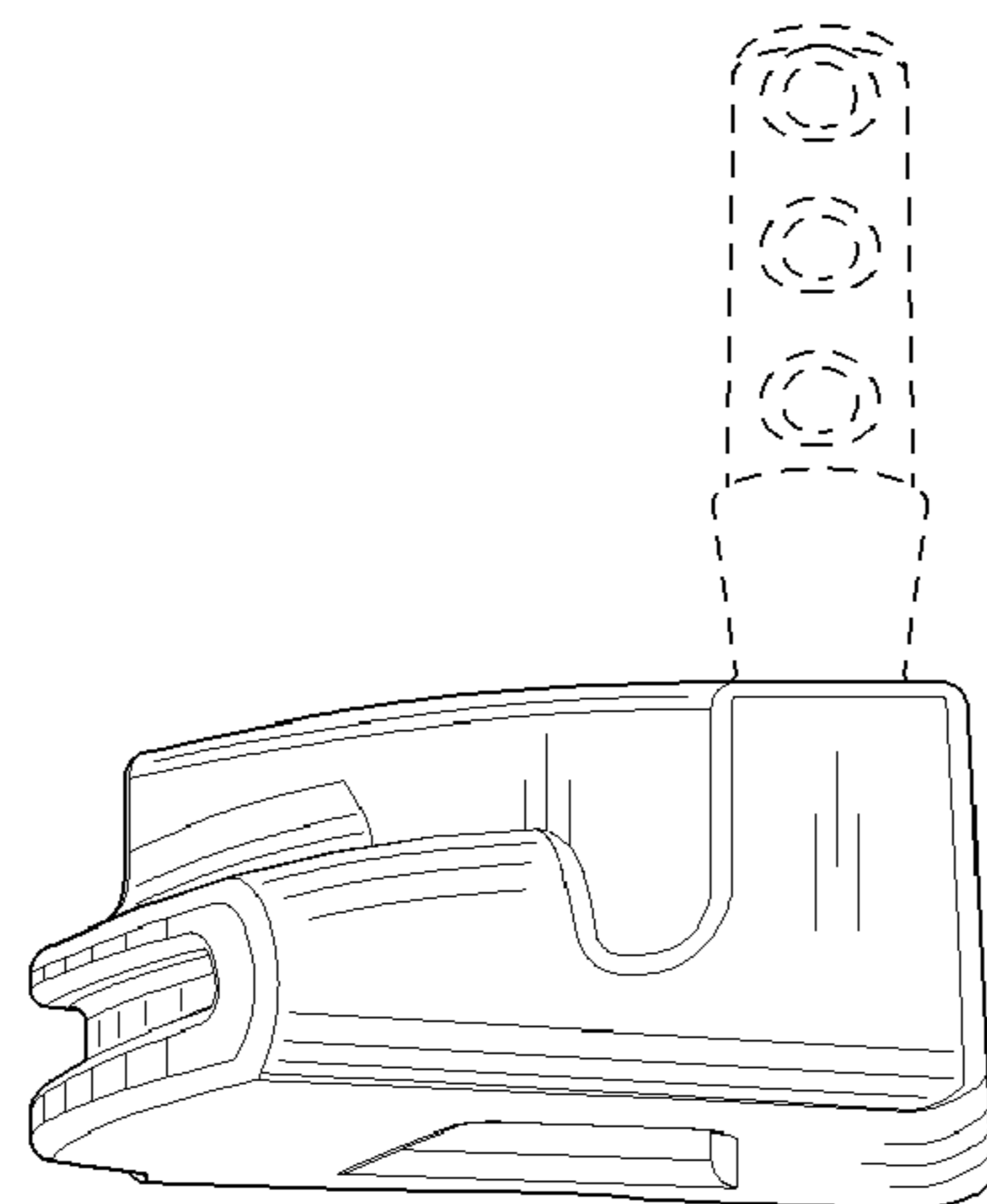


FIG. 8