



US00D571876S

(12) **United States Design Patent**
Perry-Smith

(10) **Patent No.:** **US D571,876 S**
(45) **Date of Patent:** **** Jun. 24, 2008**

(54) **DISC LAUNCHER**

(76) Inventor: **Randolph T. Perry-Smith**, 2218 S.
Milwaukee St., Denver, CO (US) 80210

(**) Term: **14 Years**

(21) Appl. No.: **29/280,315**

(22) Filed: **May 23, 2007**

(51) **LOC (8) Cl.** **21-02**

(52) **U.S. Cl.** **D21/722**

(58) **Field of Classification Search** D21/722-723,
D21/729-730; 273/109, 122; 446/170; 473/524-526,
473/531-552

See application file for complete search history.

(56) **References Cited**

U.S. PATENT DOCUMENTS

D162,826 S *	4/1951	Harvey	D21/729
3,314,409 A	4/1967	Olson		
D210,543 S	3/1968	Nakayama		
3,666,268 A *	5/1972	Candusso	273/109
3,871,653 A	3/1975	Sambos		
4,145,050 A	3/1979	Sullivan et al.		
4,157,828 A	6/1979	Cosmopulos		
4,222,361 A	9/1980	Jackson et al.		
D291,463 S *	8/1987	Hartt	D21/722

5,181,500 A	1/1993	Chamberland		
D349,308 S *	8/1994	Triner	D21/722
D361,611 S	8/1995	Bloom		
D368,291 S	3/1996	Sullivan et al.		
D380,028 S *	6/1997	Bernardino	D21/730

* cited by examiner

Primary Examiner—Mitchell I Siegel

(74) *Attorney, Agent, or Firm*—Brian D. Smith, P.C.

(57) **CLAIM**

The ornamental design for the disc launcher, as shown and described.

DESCRIPTION

FIG. 1 is a perspective view of a disc launcher, showing my new design;

FIG. 2 is a top plan view of the design of FIG. 1;

FIG. 3 is a bottom plan view of the design of FIG. 1;

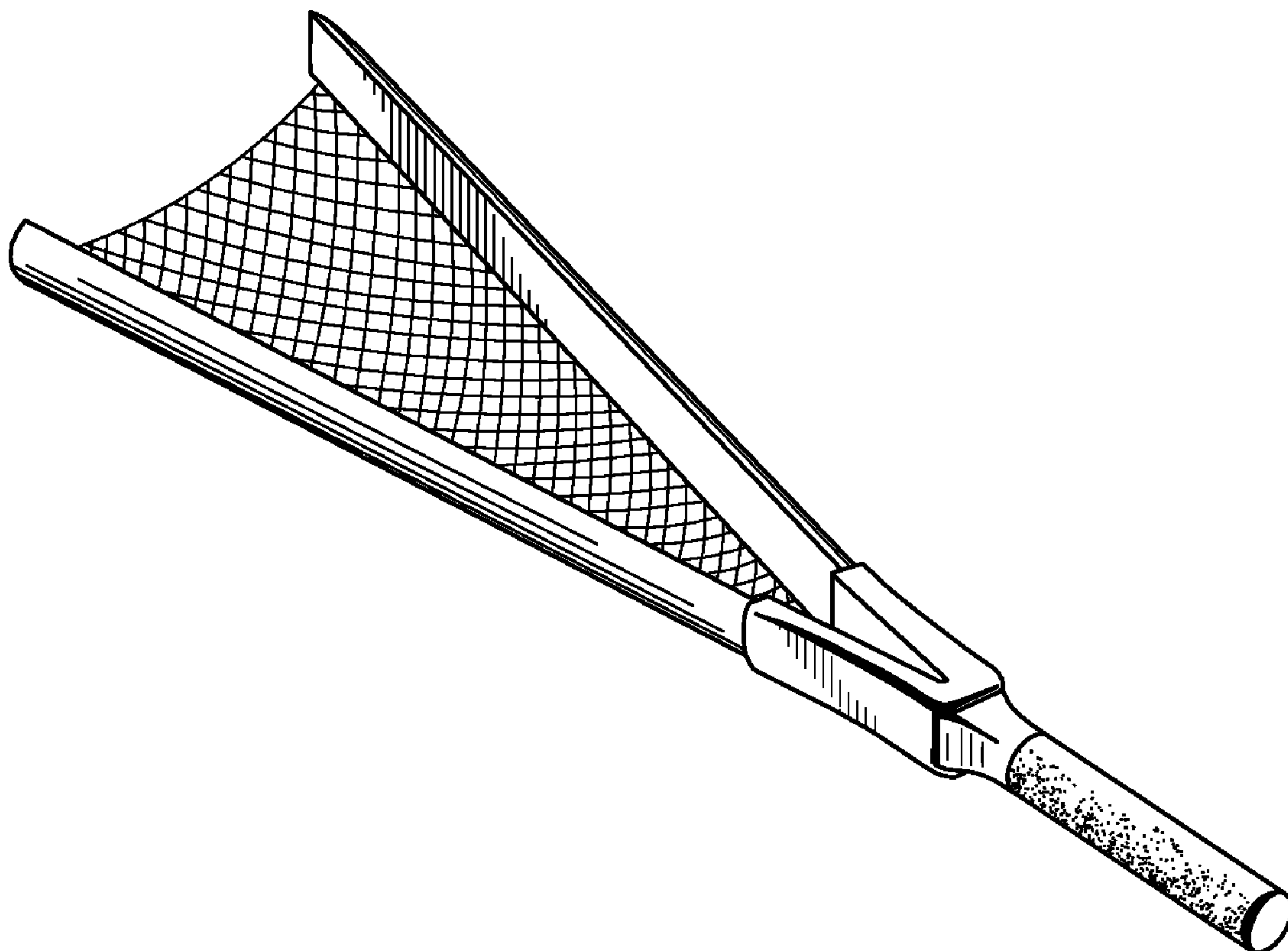
FIG. 4 is a left side elevational view of the design of FIG. 1;

FIG. 5 is a right side elevational view of the design of FIG. 1;

FIG. 6 is a front end elevational view of the design of FIG. 1; and,

FIG. 7 is a rear end elevational view of the design of FIG. 1.

1 Claim, 2 Drawing Sheets



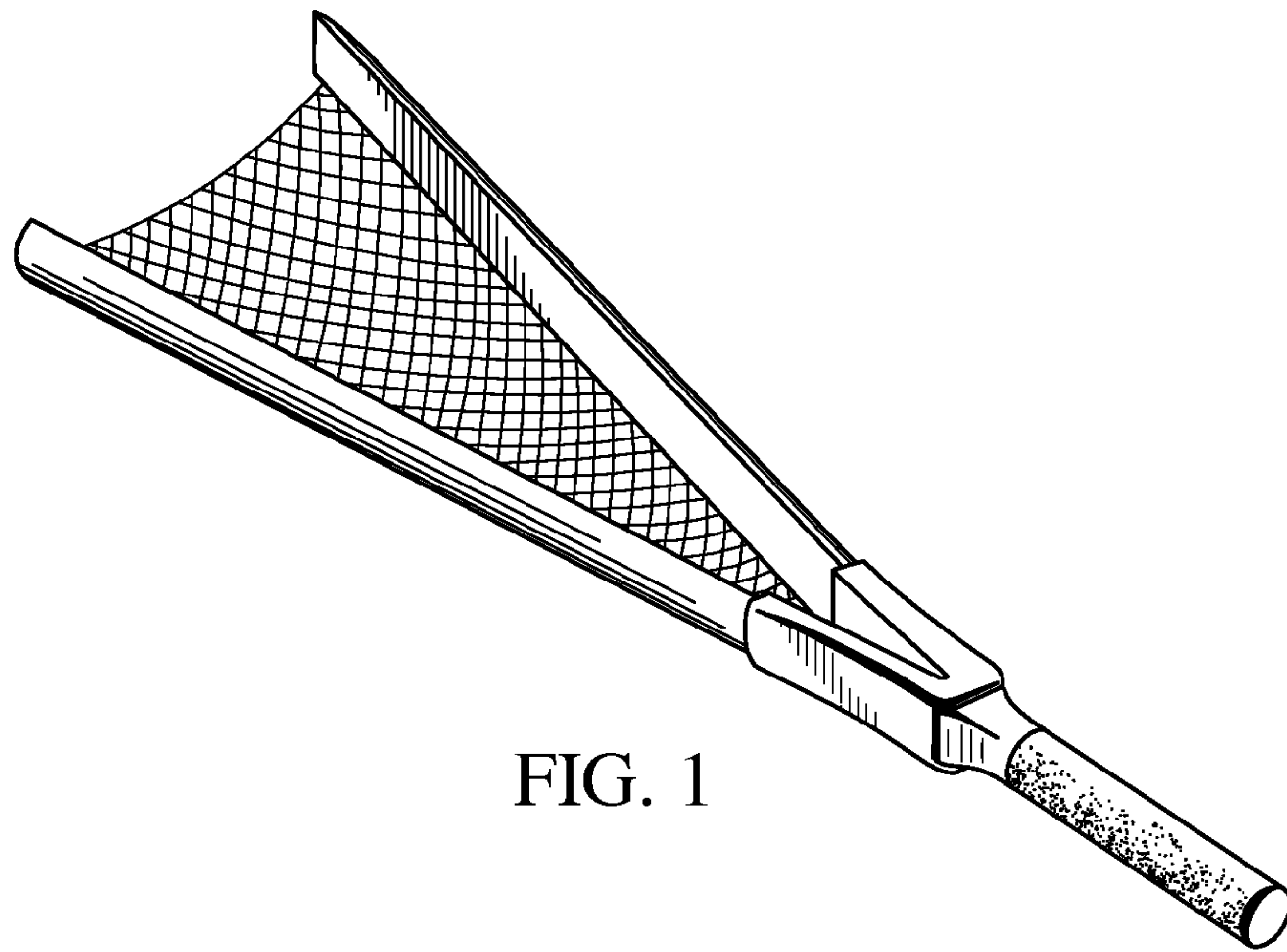


FIG. 1

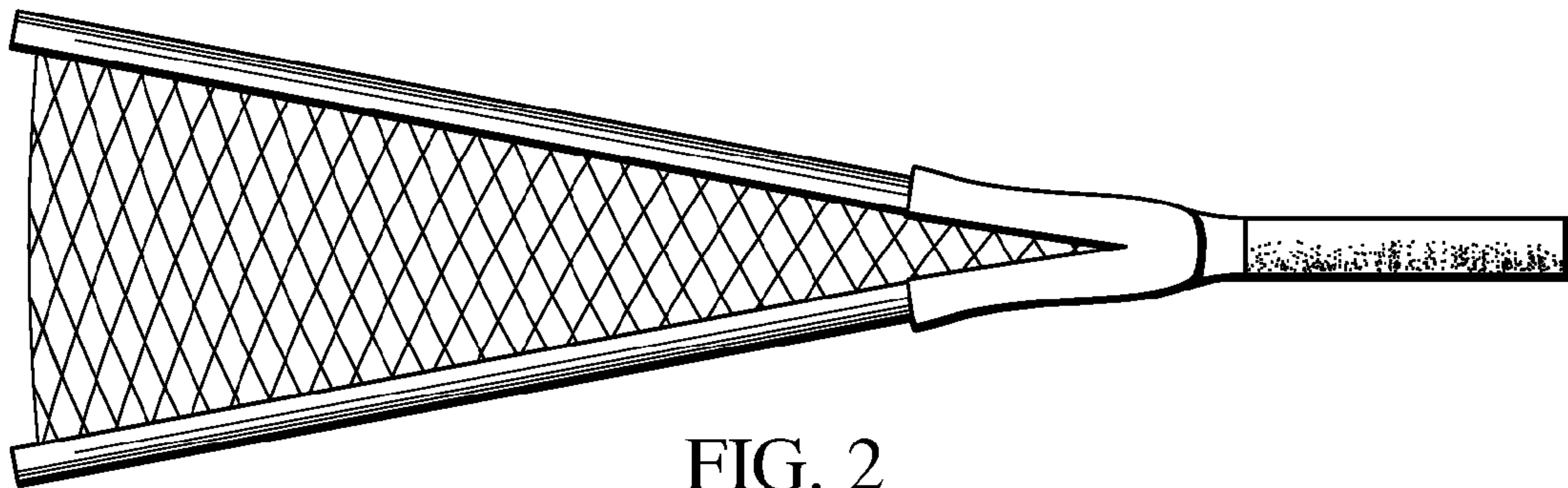


FIG. 2

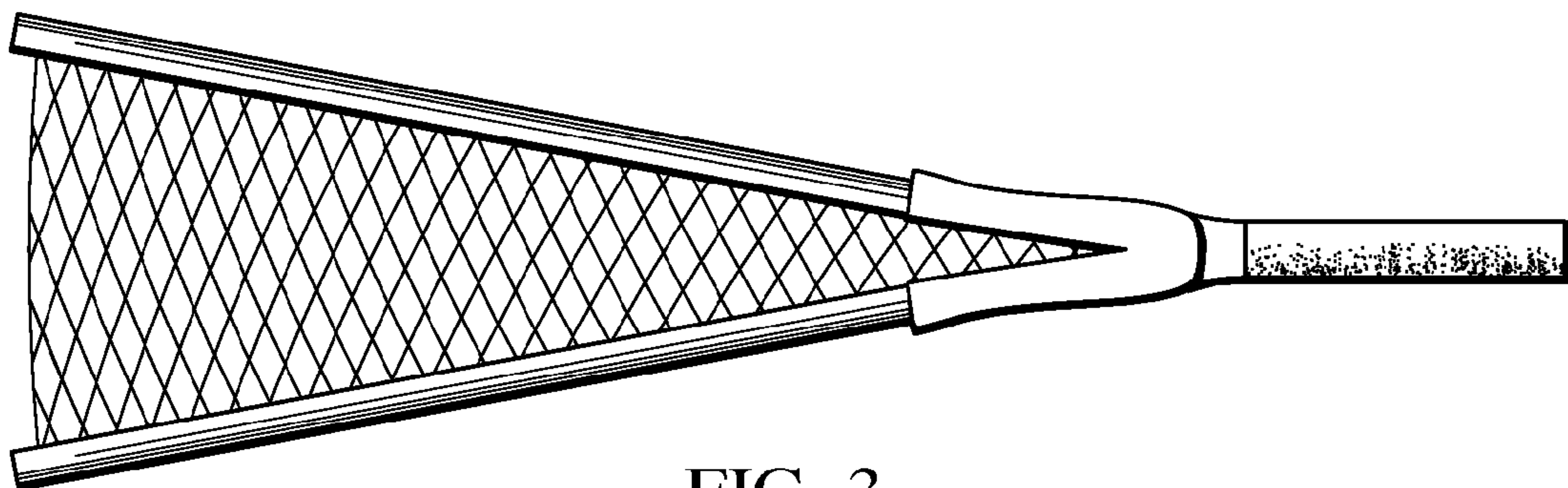


FIG. 3

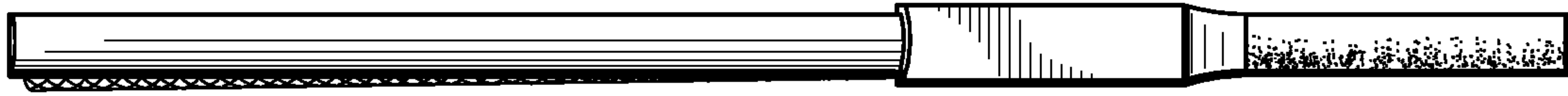


FIG. 4

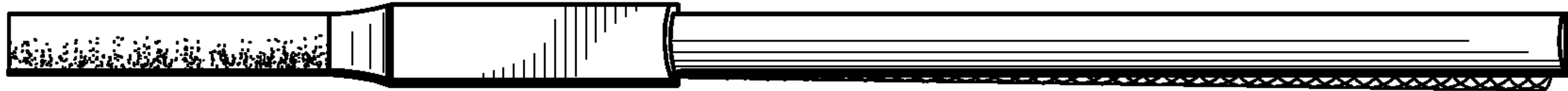


FIG. 5



FIG. 6



FIG. 7