



US00D571868S

(12) **United States Design Patent**
Dochterman

(10) **Patent No.:** **US D571,868 S**
(45) **Date of Patent:** **** Jun. 24, 2008**

(54) **CURVED ARM HOPPER CONNECTOR**

(76) Inventor: **Rick Dochterman**, #1 Witney La., Bella Vista, AR (US) 72714

(**) Term: **14 Years**

(21) Appl. No.: **29/289,590**

(22) Filed: **Jul. 25, 2007**

(51) **LOC (8) Cl.** **21-01**

(52) **U.S. Cl.** **D21/573**

(58) **Field of Classification Search** D21/567,
D21/570-575; D22/100, 101, 103, 108,
D22/109; D8/382, 387; D23/262-265; 124/41.1,
124/45, 49, 51.1, 55, 56, 69, 70-74, 79
See application file for complete search history.

(56) **References Cited**

U.S. PATENT DOCUMENTS

5,282,454	A *	2/1994	Bell et al.	124/49
D347,467	S *	5/1994	Medvick	D23/262
D359,797	S *	6/1995	Saito	D23/262
6,347,622	B1 *	2/2002	Hsueh	124/49
6,408,836	B1 *	6/2002	Ming-Hsien	124/49
D462,112	S *	8/2002	Kozu et al.	D23/262
6,742,512	B1 *	6/2004	Ho et al.	124/49
7,178,515	B2 *	2/2007	Carpenter et al.	124/49
2002/0129804	A1 *	9/2002	Sullivan et al.	124/49

2002/0129805	A1 *	9/2002	Sullivan, Jr.	124/49
2005/0155590	A1 *	7/2005	Carpenter et al.	124/49
2005/0217654	A1 *	10/2005	Yeh	124/49
2006/0075999	A1 *	4/2006	Carpenter et al.	124/49
2006/0076000	A1 *	4/2006	Carpenter et al.	124/49

* cited by examiner

Primary Examiner—Holly H. Baynham

Assistant Examiner—Cynthia M. Chin

(74) *Attorney, Agent, or Firm*—Keisling Pieper & Scott PLC;
David B. Pieper; Trent C. Keisling

(57) **CLAIM**

The ornamental design for a curved arm hopper connector, as shown and described.

DESCRIPTION

FIG. 1 is a perspective view of a hopper connector showing my new design;

FIG. 2 is a top plan view thereof;

FIG. 3 is a back elevational view thereof;

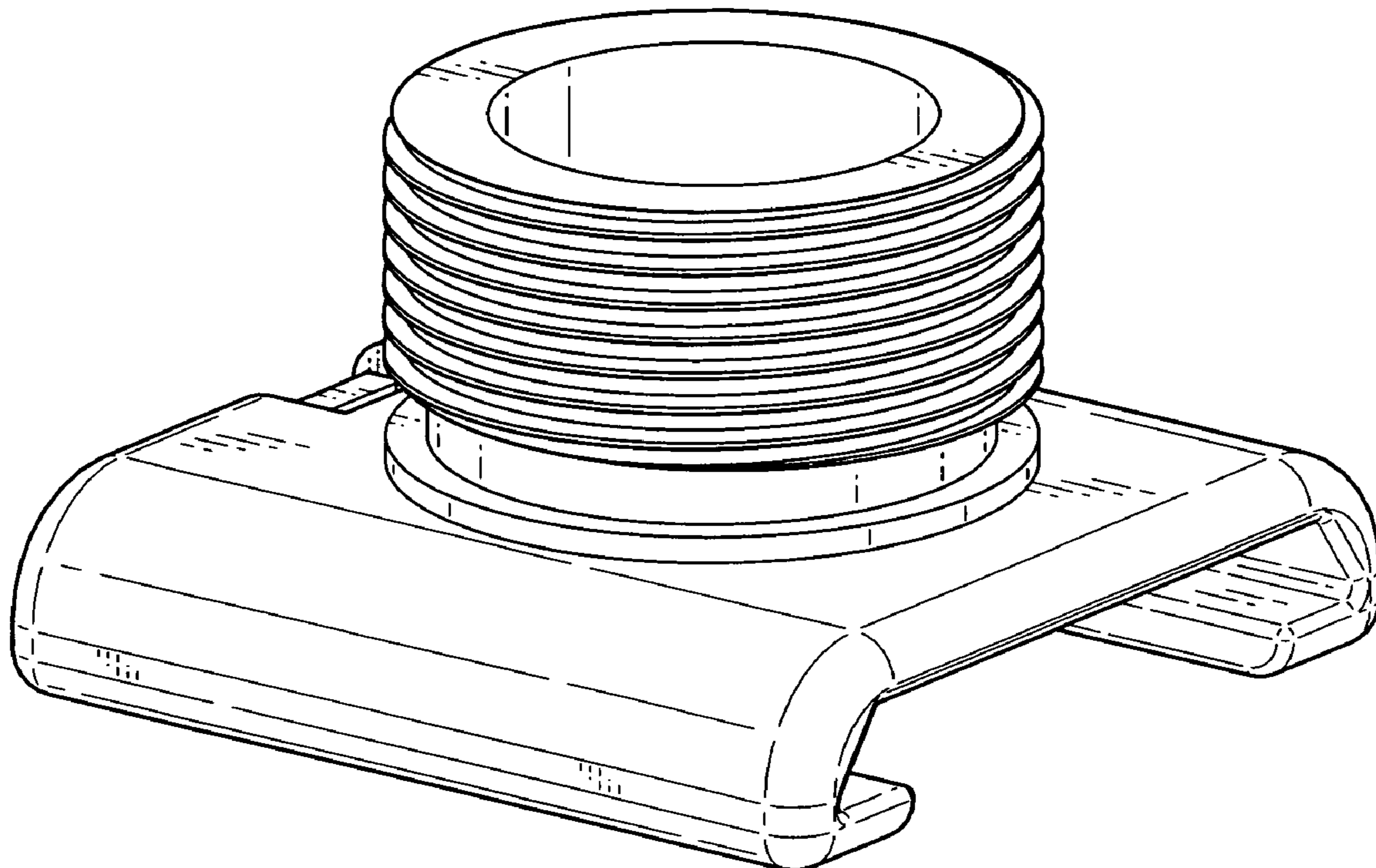
FIG. 4 is a right side elevational view thereof; and,

FIG. 5 is a front elevational view thereof;

FIG. 6 is a left side elevational view thereof; and,

FIG. 7 is a bottom plan view thereof.

1 Claim, 5 Drawing Sheets



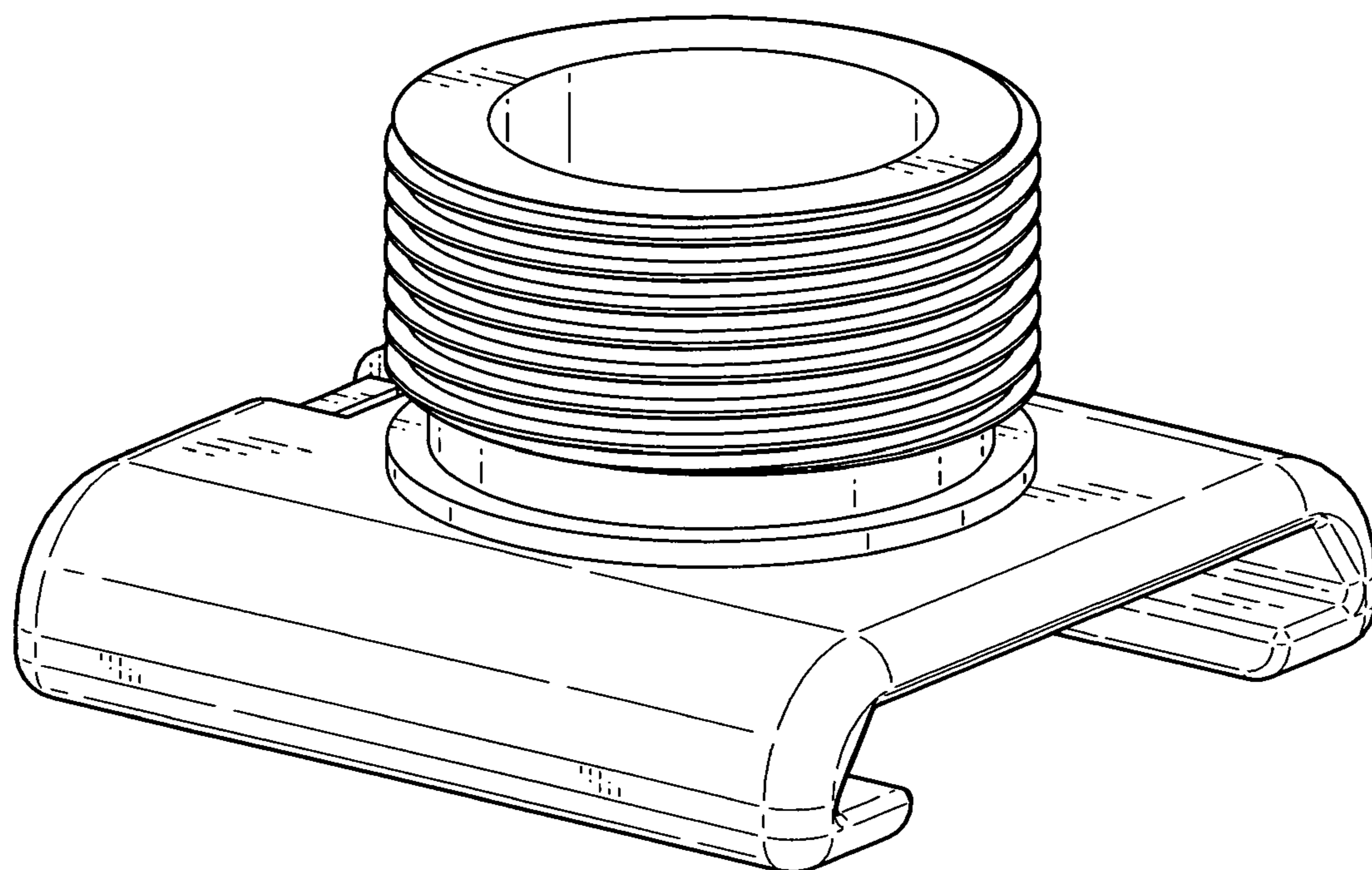


FIG. 1

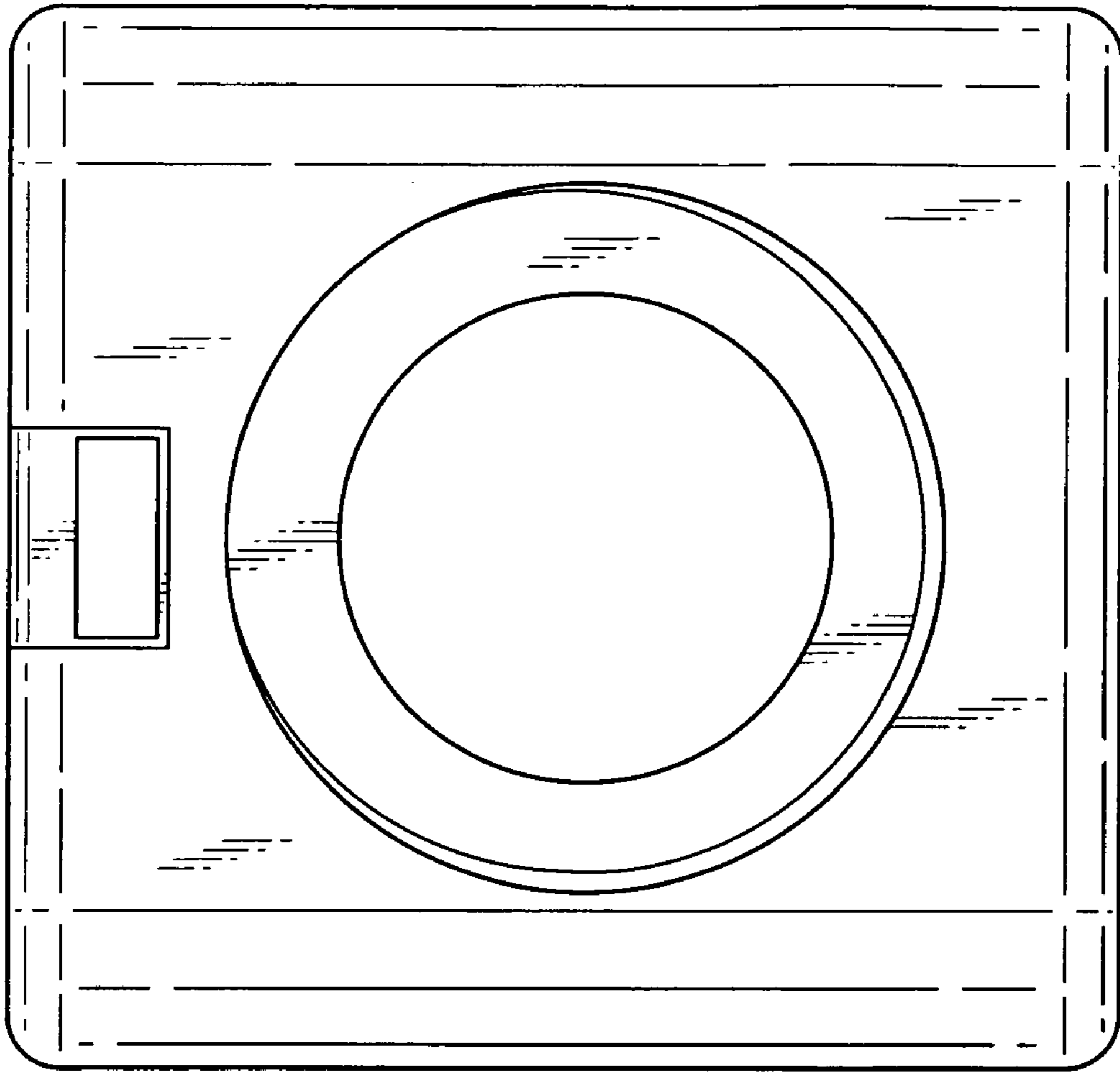


FIG. 2

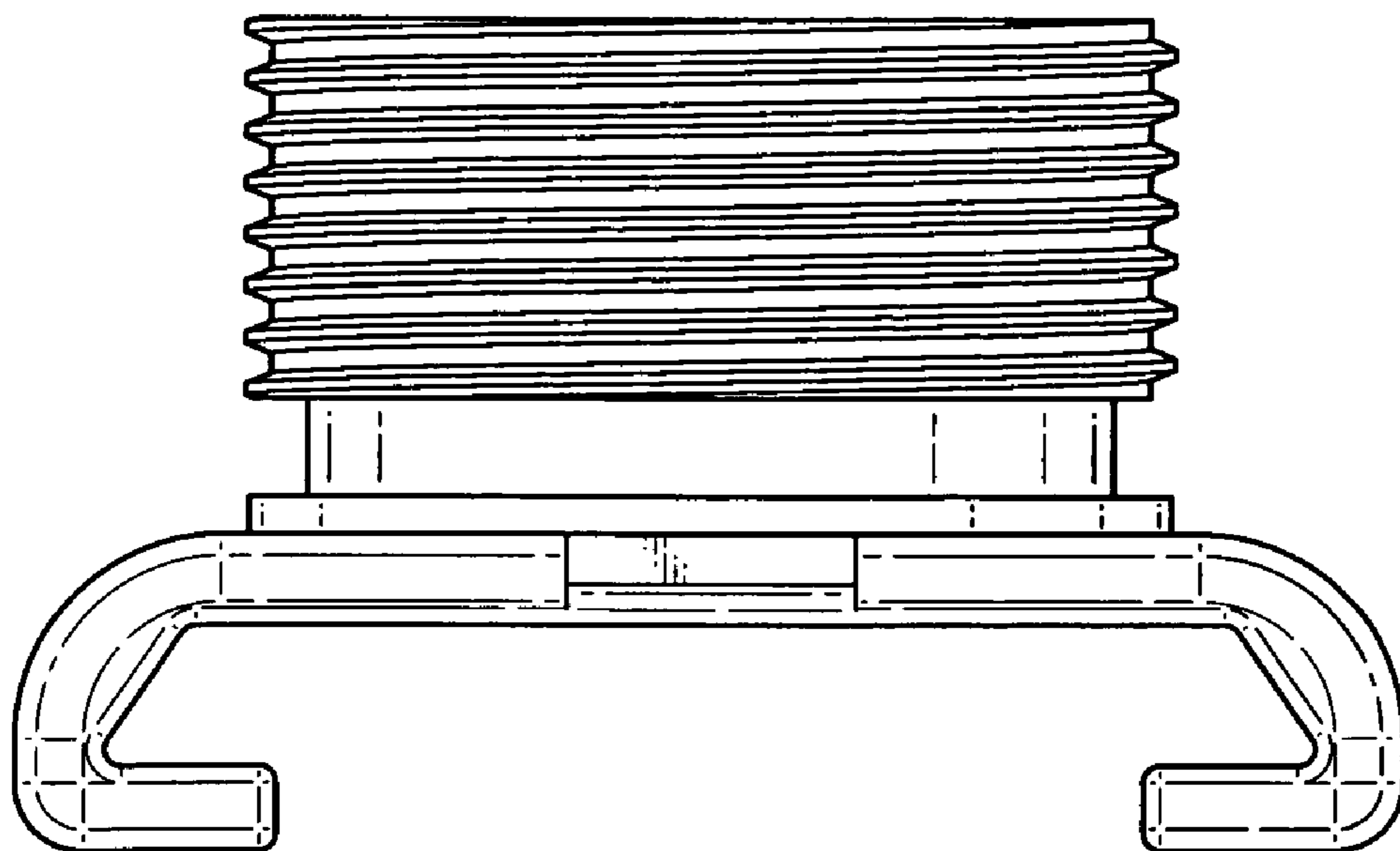


FIG. 3

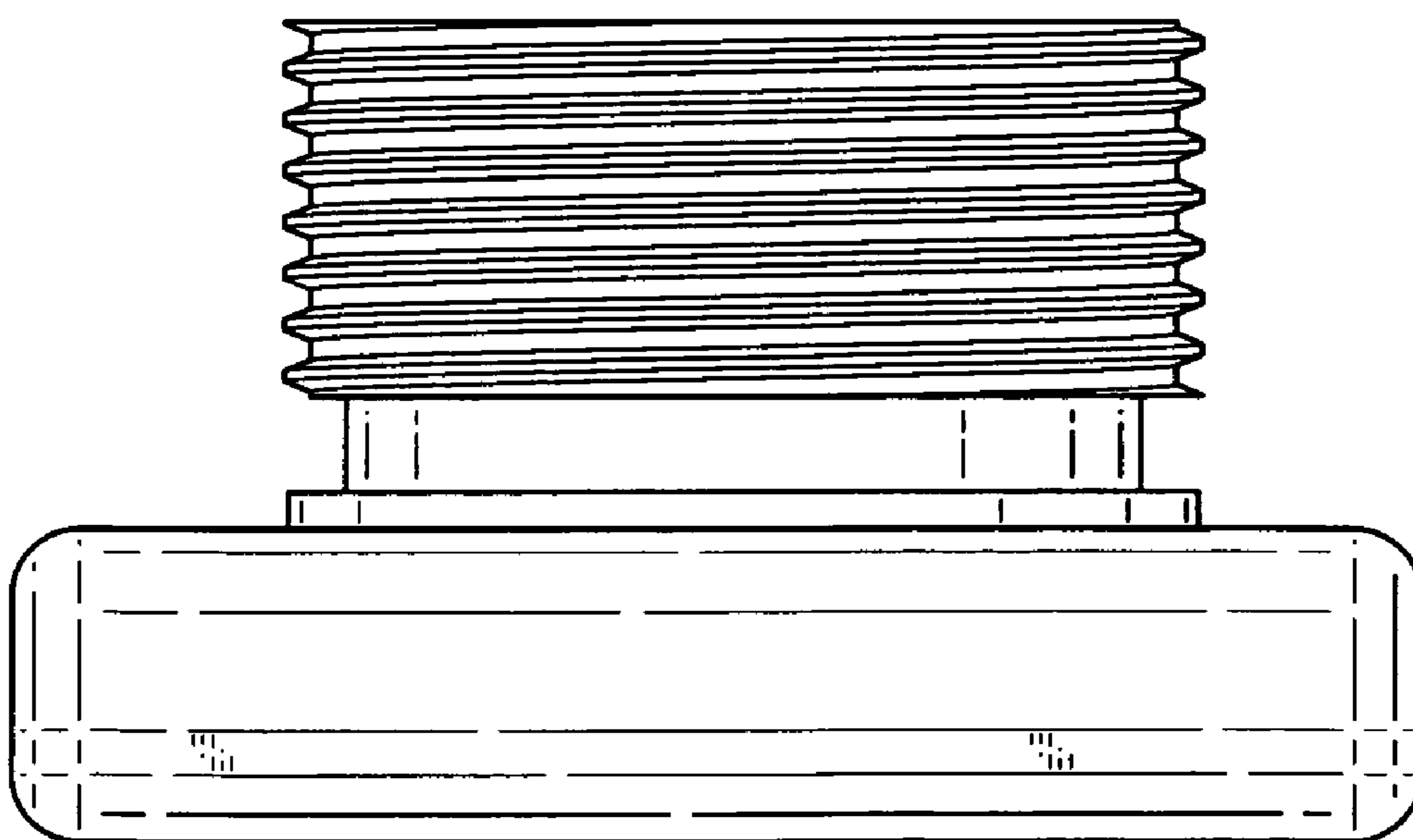


FIG. 4

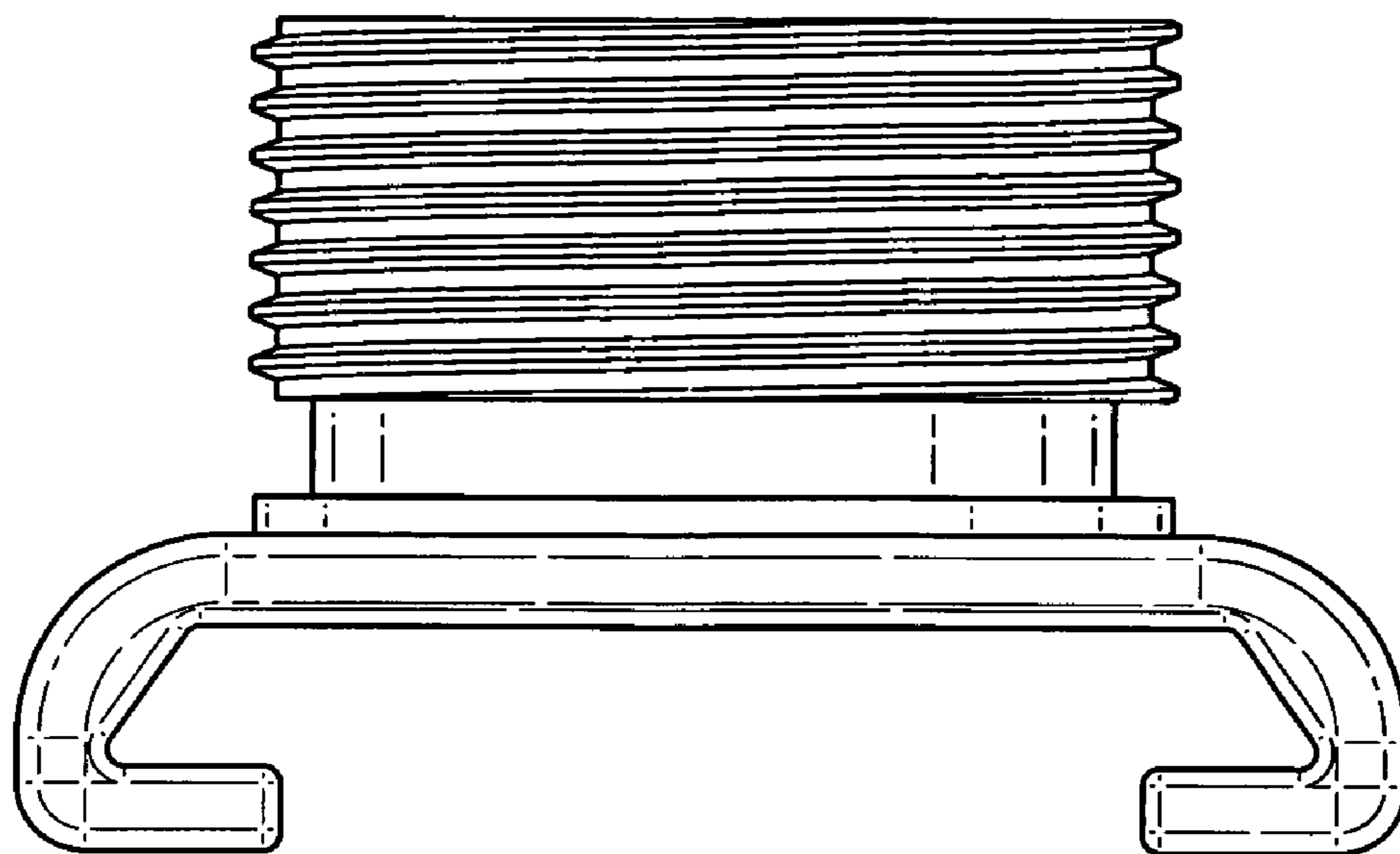


FIG. 5

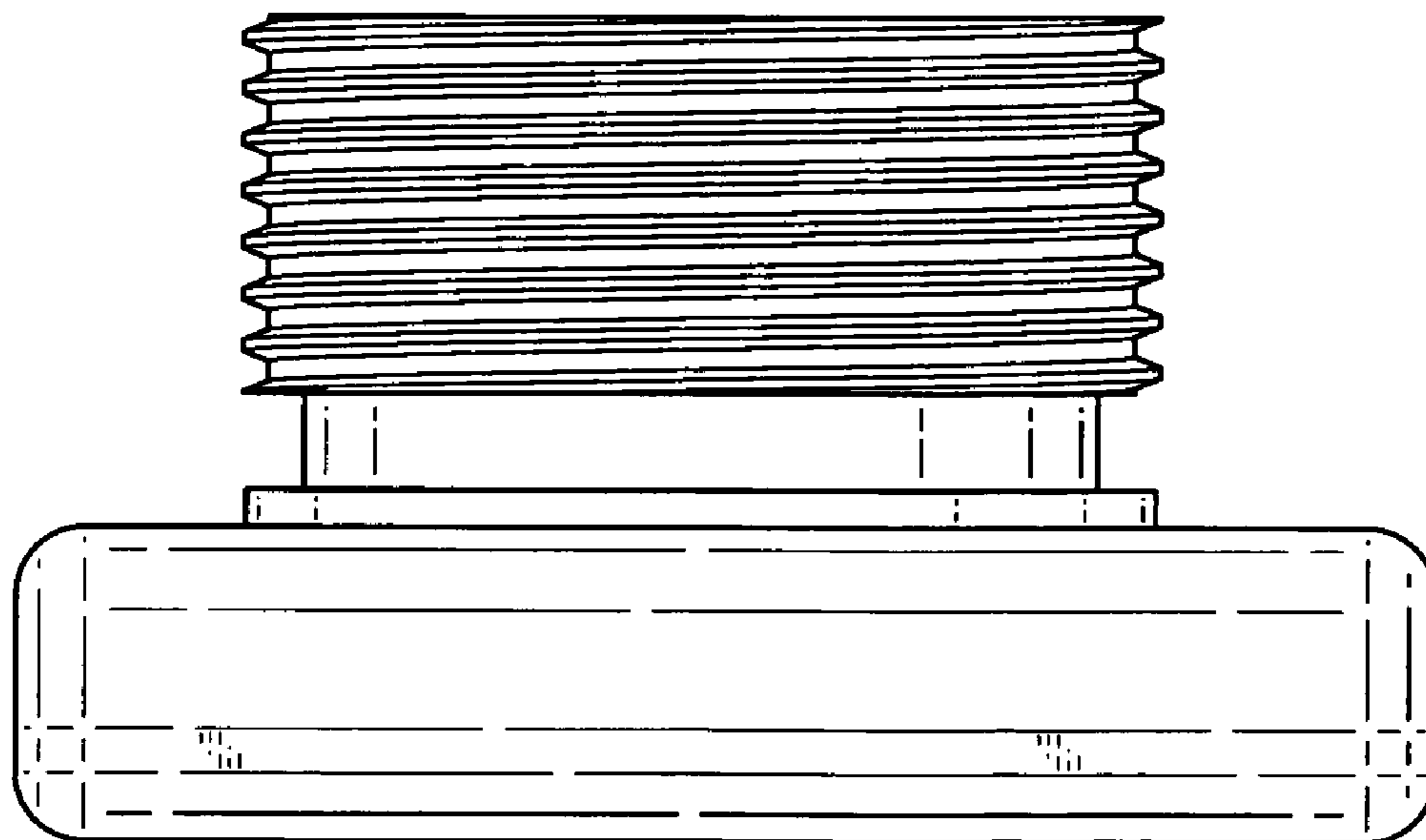


FIG. 6

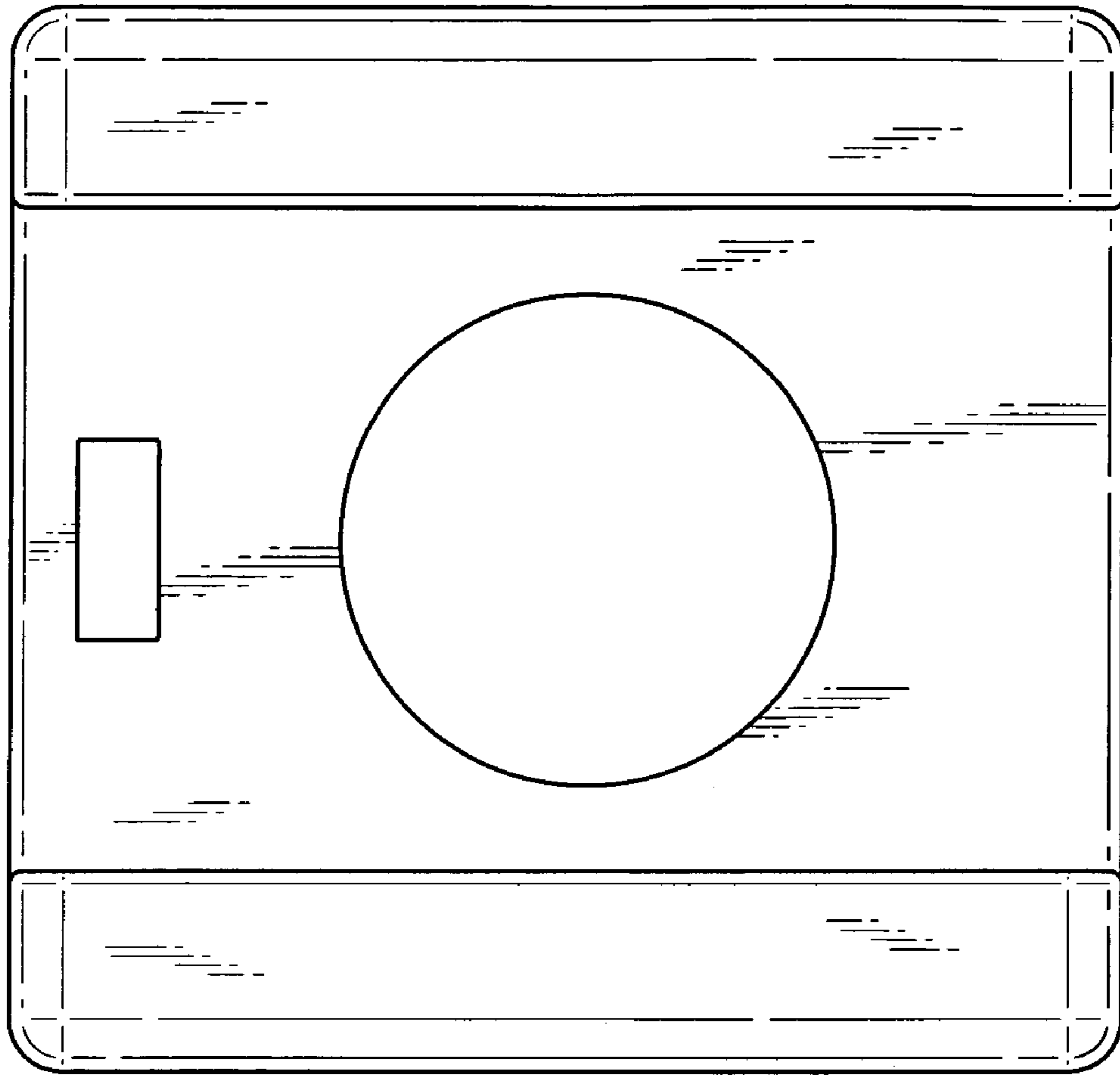


FIG. 7