

US00D571866S

(12) **United States Design Patent**
On

(10) **Patent No.:** **US D571,866 S**
(45) **Date of Patent:** **** Jun. 24, 2008**

(54) **DELUXE TRICYCLE**

2003/0122346 A1* 7/2003 Wu 280/291
2006/0237947 A1* 10/2006 Michelau et al. 280/293

(75) Inventor: **Yoram Bar On**, Sderot (IL)

* cited by examiner

(73) Assignee: **Smart Baby Toys**, Sheung Wan (HK)

Primary Examiner—Holly H. Baynham

(**) Term: **14 Years**

Assistant Examiner—Cynthia M Chin

(21) Appl. No.: **29/284,984**

(74) *Attorney, Agent, or Firm*—Dekel Patent Ltd.; David Klein

(22) Filed: **Sep. 19, 2007**

(57) **CLAIM**

(51) **LOC (8) Cl.** **21-01**

The ornamental design for a deluxe tricycle, as shown and described.

(52) **U.S. Cl.** **D21/435**

(58) **Field of Classification Search** D21/412,
D21/414, 431–435; D12/1, 107, 110–114,
D12/129, 130, 133; 280/87.01, 87.021, 87.05,
280/87.051, 47.17, 47.25, 47.34, 47.38, 47.4,
280/827, 828, 29, 200, 263, 270, 282, 288.4,
280/291, 293; 297/5; 482/68

DESCRIPTION

See application file for complete search history.

The nature and intended use of the article in which the design is embodied is that of a small vehicle for children and the like.

FIG. 1 is a perspective view of a deluxe tricycle, with a handle partially extended, showing my new design;

FIG. 2 is a rear view thereof;

FIG. 3 is a front view thereof;

FIG. 4 is a side view thereof;

FIG. 5 is a bottom view thereof;

FIG. 6 is a perspective view thereof, with the handle fully extended; and,

FIG. 7 is a perspective view thereof, with the handle removed for the clarity of illustration.

(56) **References Cited**

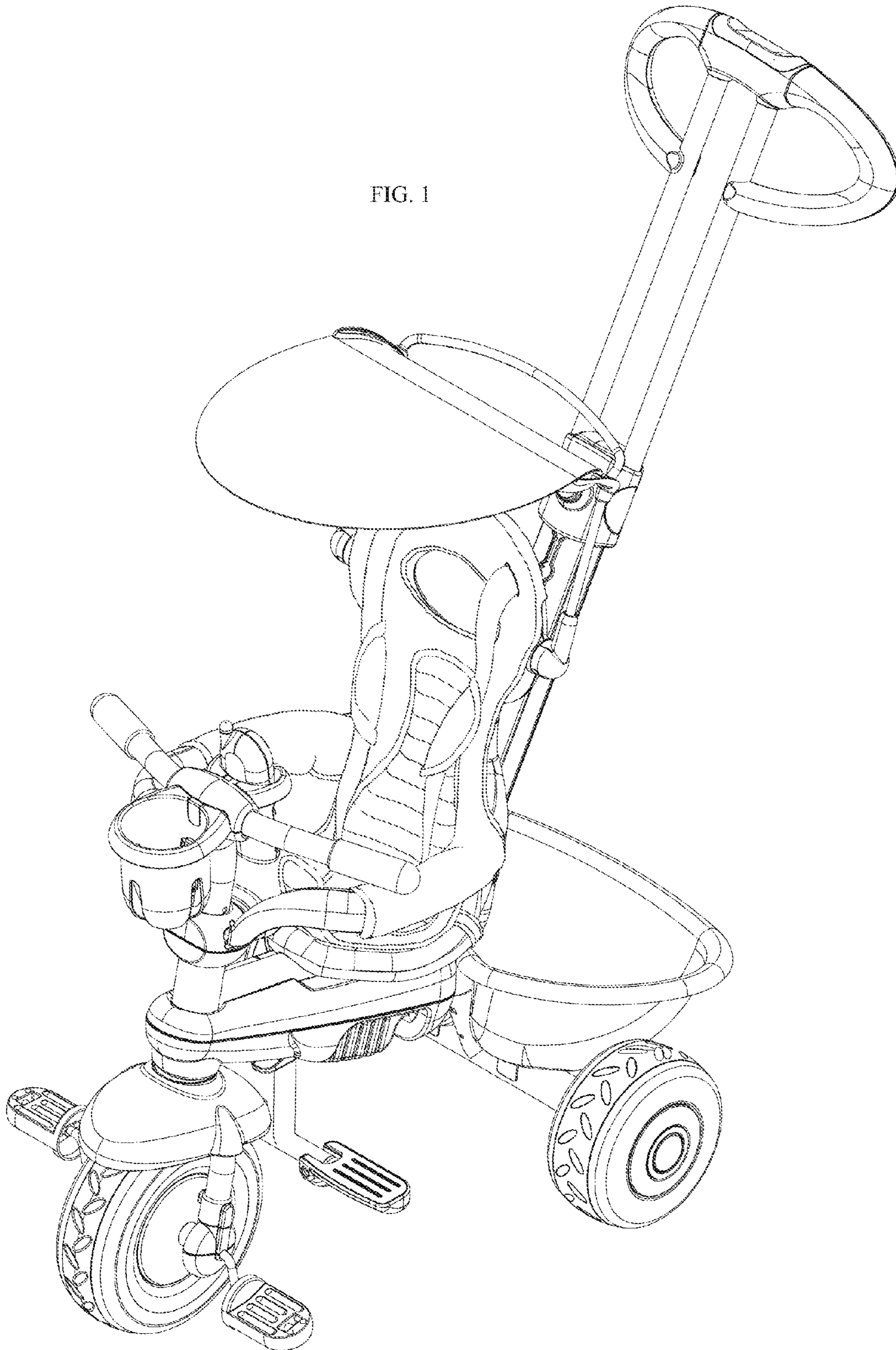
U.S. PATENT DOCUMENTS

D355,870 S *	2/1995	Dieudonne	D12/112
D392,343 S *	3/1998	Sloss	D21/435
6,089,587 A *	7/2000	Li	280/291
D473,599 S *	4/2003	Horchler	D21/435
D483,420 S *	12/2003	DeLong et al.	D21/435
D525,568 S *	7/2006	Baron	D12/112
D555,045 S *	11/2007	On	D12/112
D560,563 S *	1/2008	Fransson et al.	D12/130

1 Claim, 7 Drawing Sheets



FIG. 1



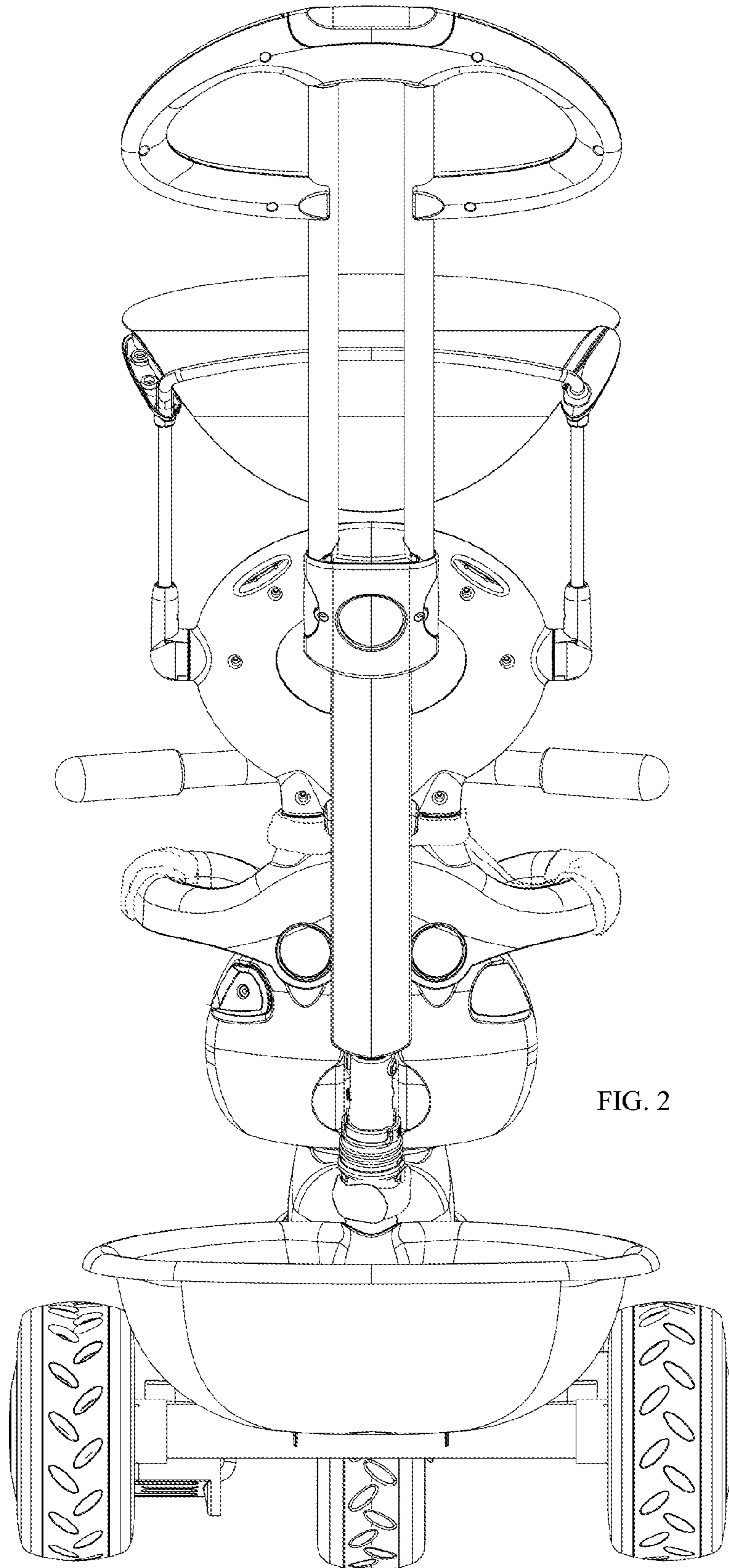


FIG. 2

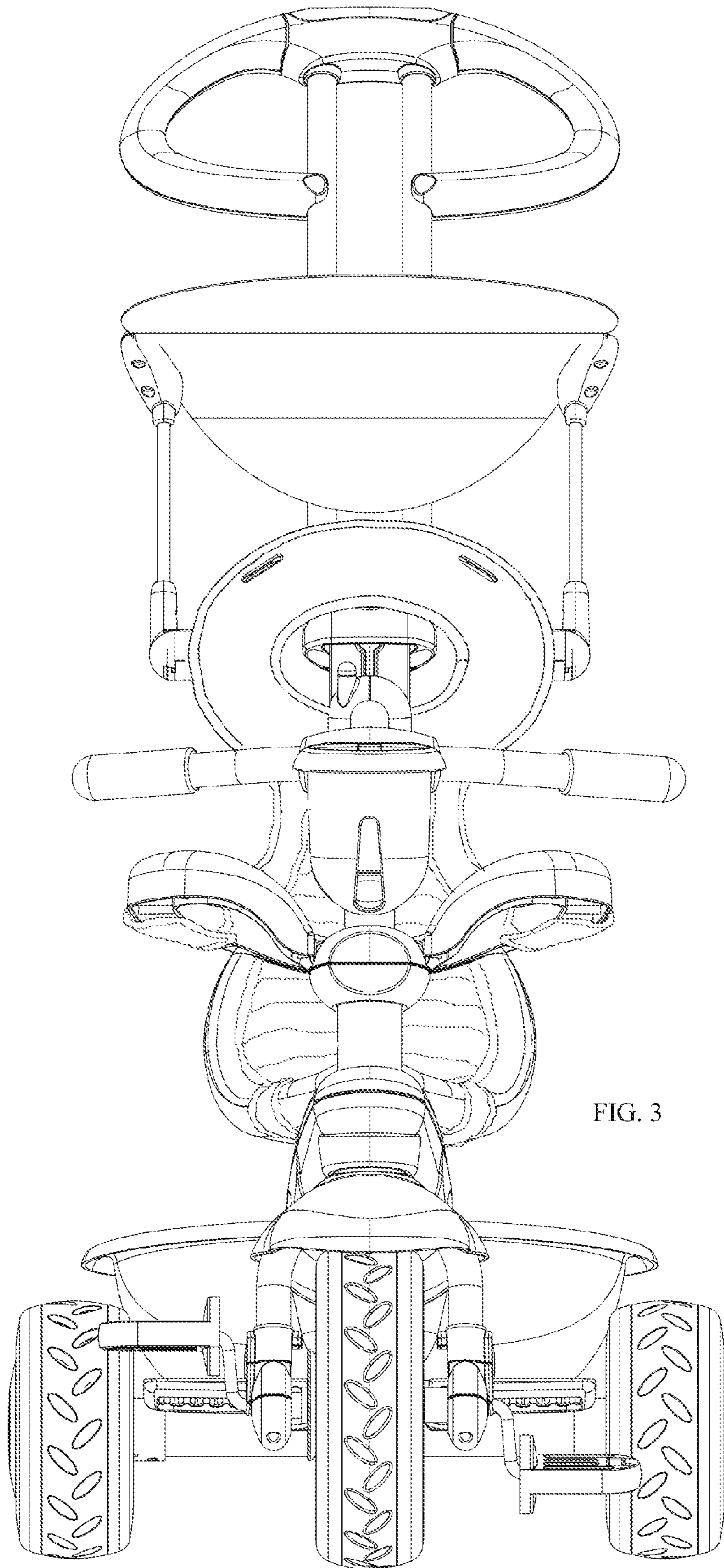


FIG. 3

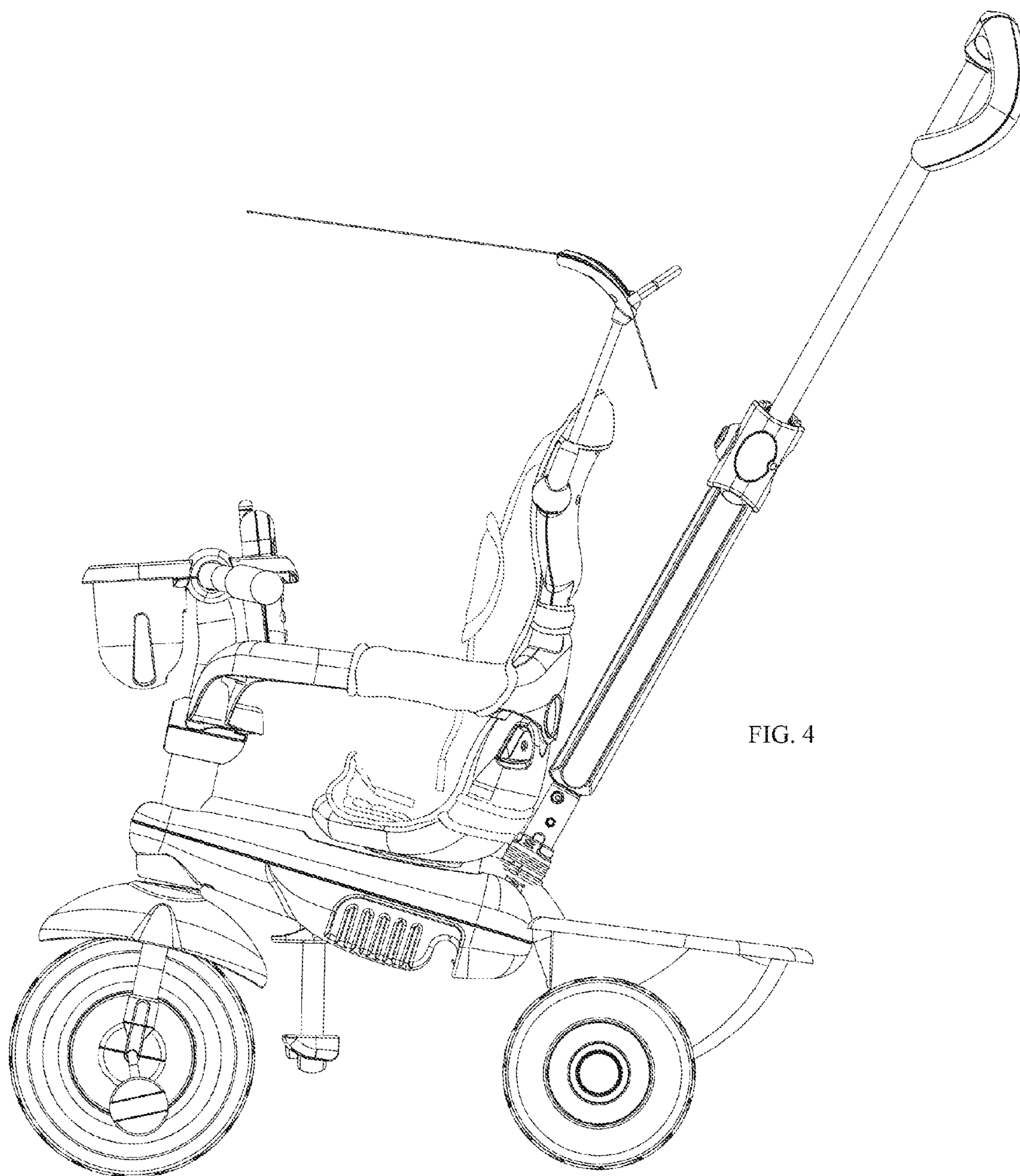


FIG. 4

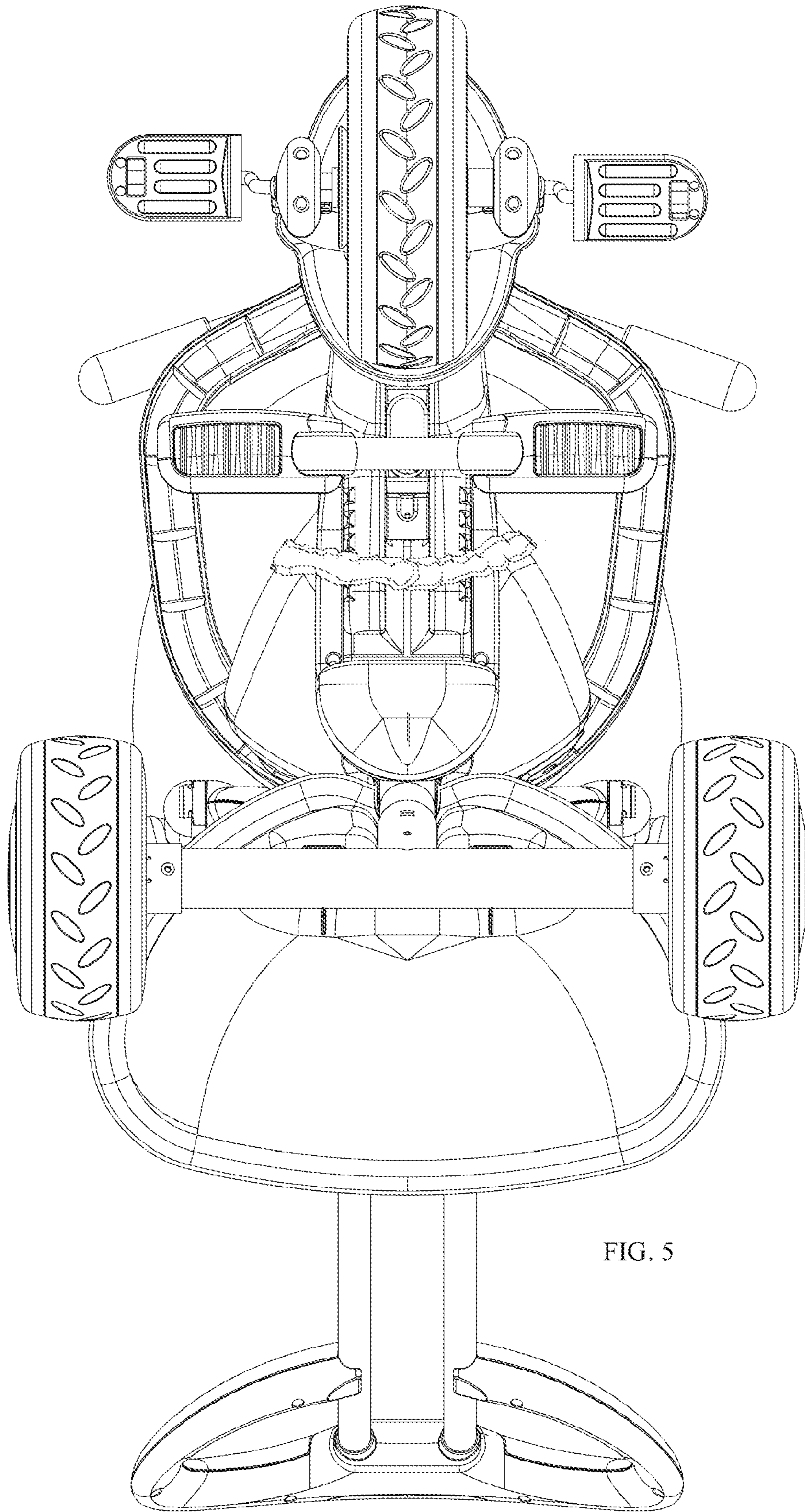


FIG. 5

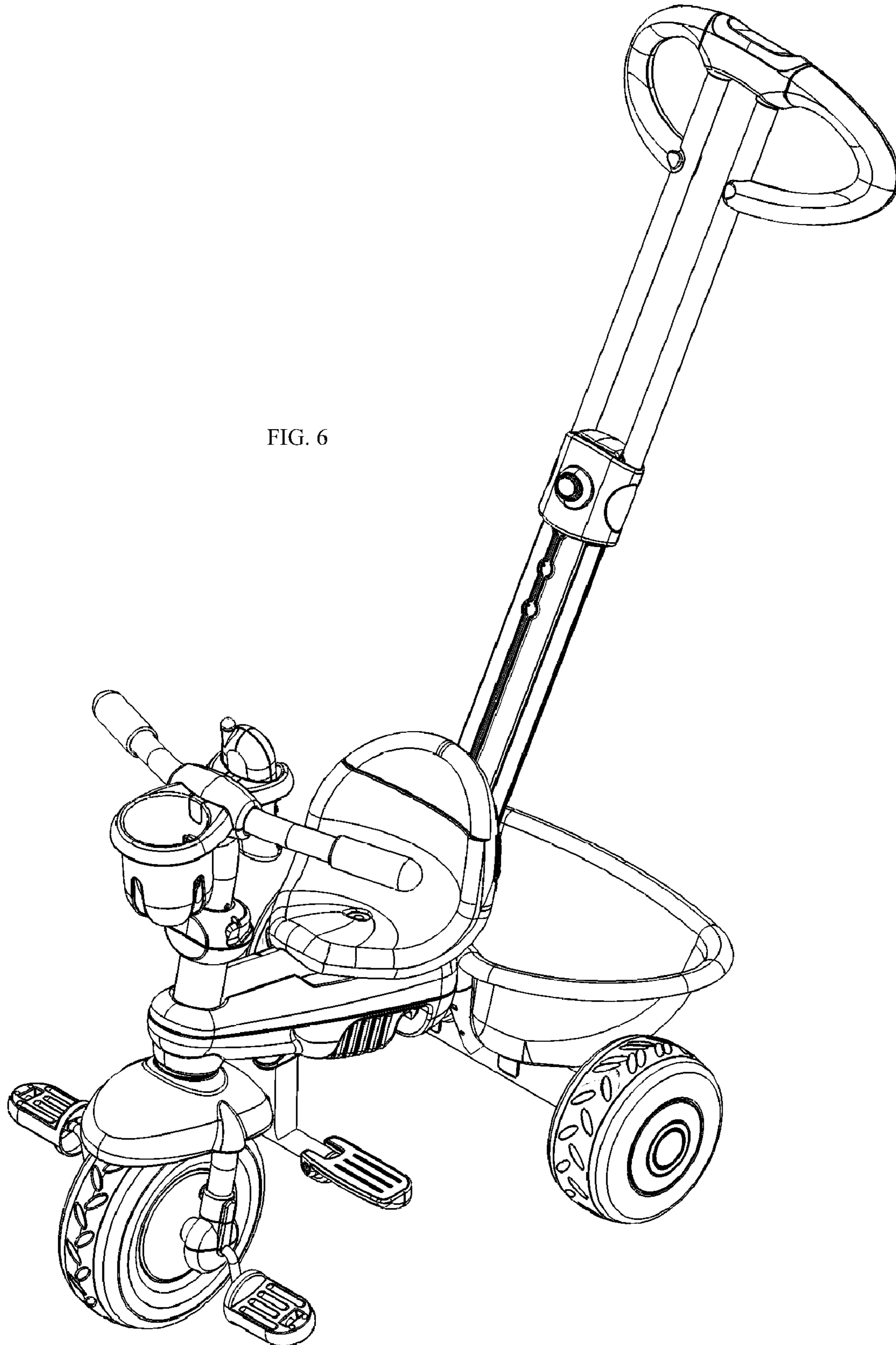


FIG. 6

FIG. 7

