



US00D571865S

(12) **United States Design Patent**
On

(10) **Patent No.:** **US D571,865 S**
(45) **Date of Patent:** **** Jun. 24, 2008**

(54) **YOUNG CHILD VEHICLE**

7,025,364 B1 * 4/2006 Clarke 280/87.051

* cited by examiner

(75) Inventor: **Yoram Bar On**, Sderot (IL)

Primary Examiner—Holly H. Baynham

(73) Assignee: **Smart Baby Toys**, Sheung Wan (HK)

Assistant Examiner—Cynthia M Chin

(**) Term: **14 Years**

(74) *Attorney, Agent, or Firm*—Dekel Patent Ltd.; David Klein

(21) Appl. No.: **29/284,982**

(57) **CLAIM**

(22) Filed: **Sep. 19, 2007**

The ornamental design for a young child vehicle, as shown and described.

(51) **LOC (8) Cl.** **21-01**

(52) **U.S. Cl.** **D21/424**

(58) **Field of Classification Search** D21/412,
D21/414, 419–435; D12/1, 129, 130, 133;
280/827, 828, 87.01, 87.021, 87.05, 87.051,
280/47.17, 47.25, 47.38; 297/5; 482/68
See application file for complete search history.

DESCRIPTION

The nature and intended use of the article in which the design is embodied is that of a small vehicle for children and the like.

FIG. 1 is a perspective view of a young child vehicle showing my new design;

FIG. 2 is a rear view thereof;

FIG. 3 is a front view thereof;

FIG. 4 is a side view thereof; and,

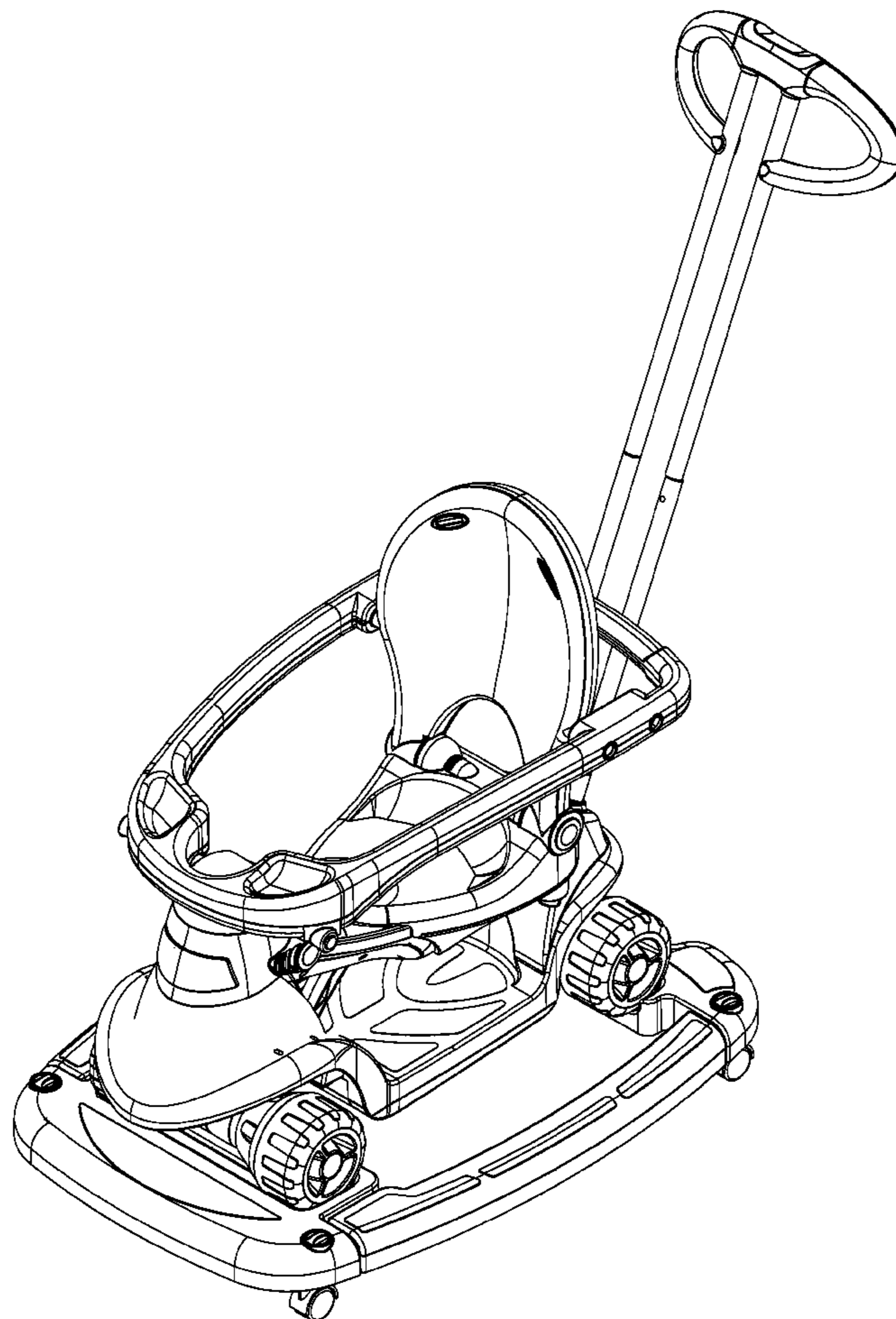
FIG. 5 is a top view thereof.

(56) **References Cited**

U.S. PATENT DOCUMENTS

- D417,417 S * 12/1999 Keegan et al. D12/130
- D466,843 S * 12/2002 Paesang et al. D12/130
- 6,863,287 B2 * 3/2005 Myers et al. 280/87.051

1 Claim, 5 Drawing Sheets



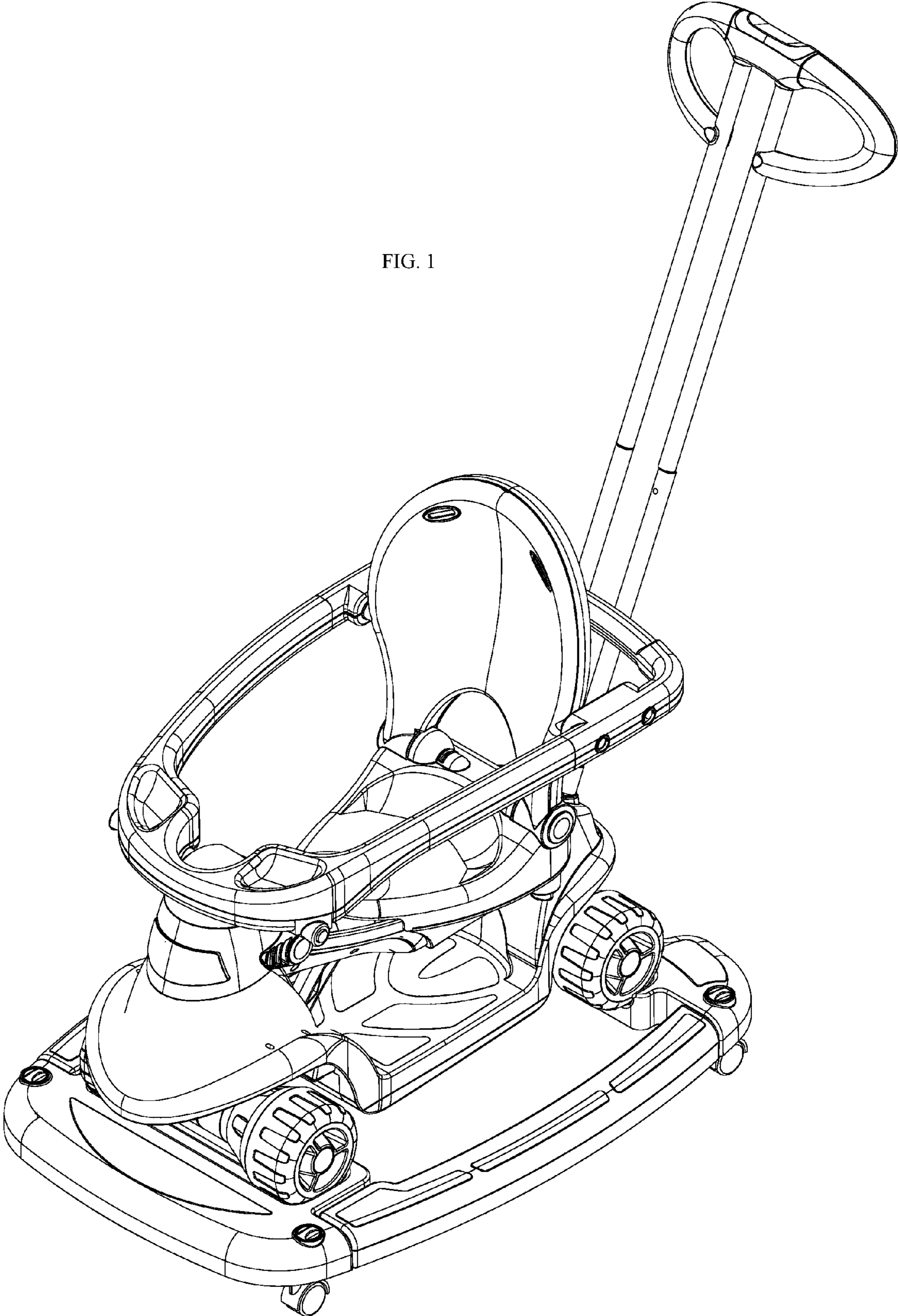


FIG. 1

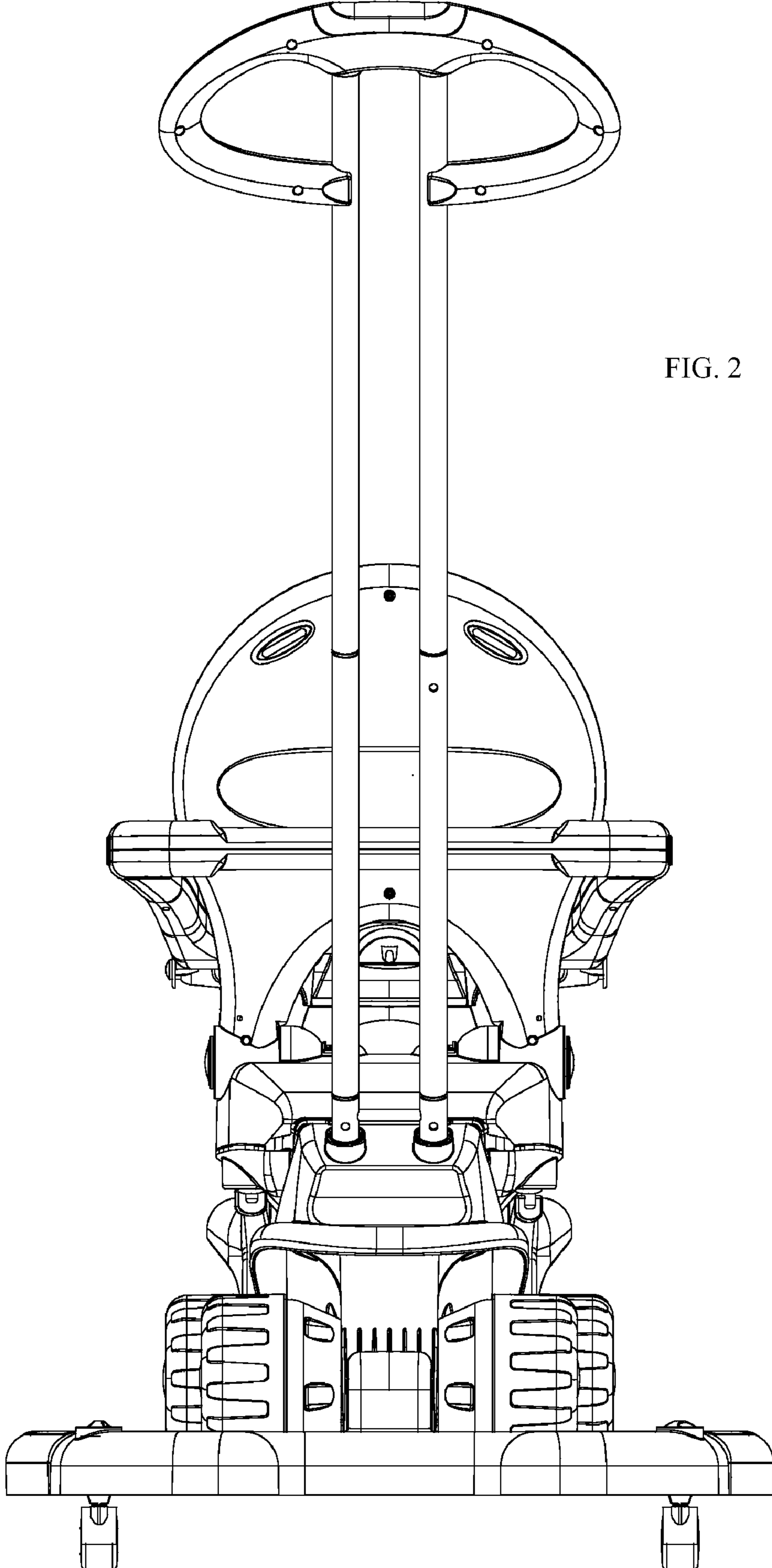
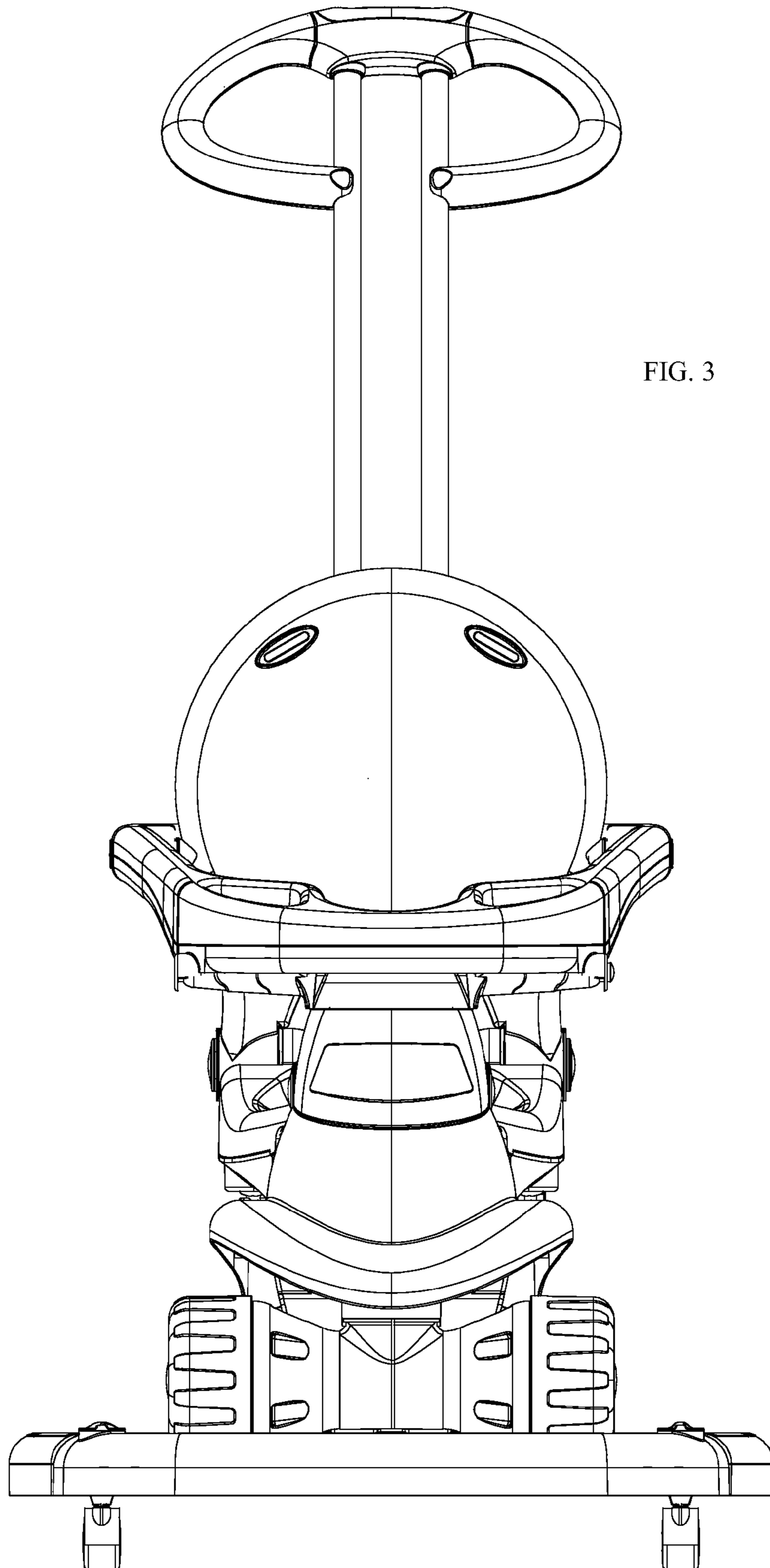


FIG. 2



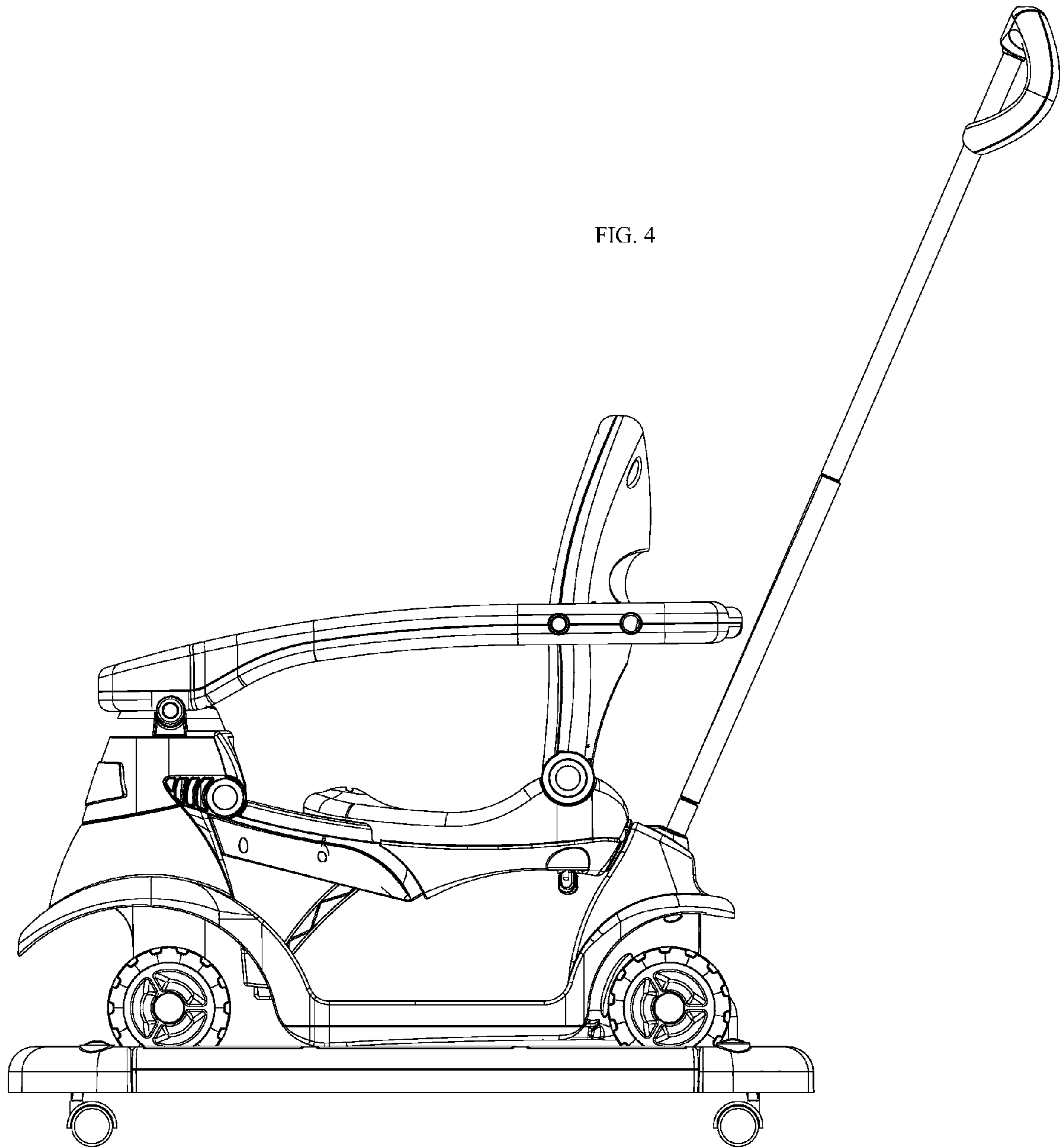


FIG. 4

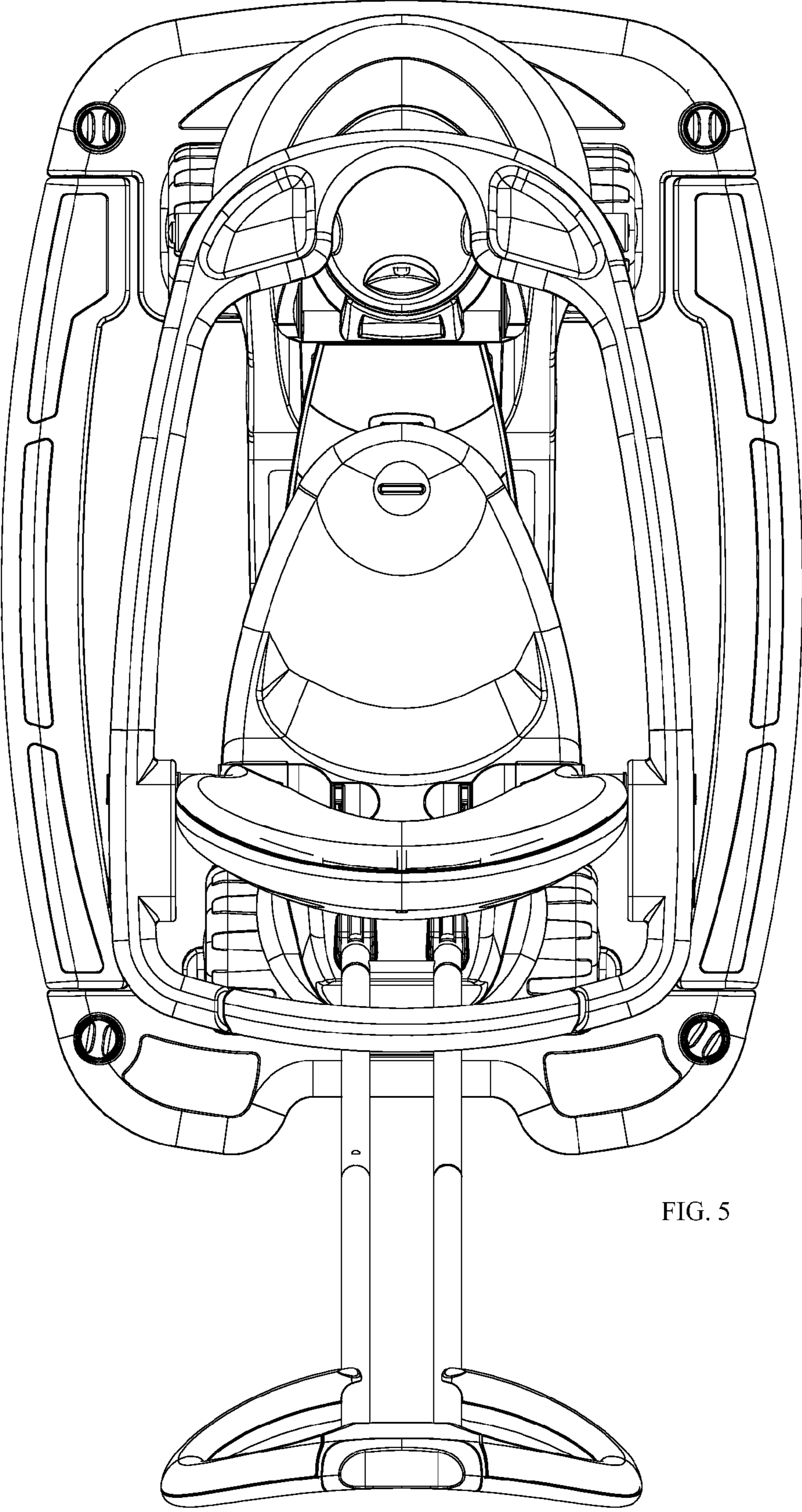


FIG. 5