

US00D571864S

(12) **United States Design Patent**  
**On**

(10) **Patent No.:** **US D571,864 S**

(45) **Date of Patent:** **\*\* Jun. 24, 2008**

(54) **YOUNG CHILD VEHICLE**

D481,423 S \* 10/2003 Nien ..... D21/424  
D485,871 S \* 1/2004 Horchler ..... D21/424

(75) Inventor: **Yoram Bar On**, Sderot (IL)

\* cited by examiner

(73) Assignee: **Smart Baby Toys**, 68-74 Bonham  
Strand East Sheung Wan (HK)

*Primary Examiner*—Holly H. Baynham

*Assistant Examiner*—Cynthia M Chin

(\*\*) Term: **14 Years**

(74) *Attorney, Agent, or Firm*—Dekel Patent Ltd.; David Klein

(21) Appl. No.: **29/284,975**

(57) **CLAIM**

(22) Filed: **Sep. 19, 2007**

The ornamental design for a young child vehicle, as shown and described.

(51) **LOC (8) Cl.** ..... **21-01**

(52) **U.S. Cl.** ..... **D21/424**

(58) **Field of Classification Search** ..... D21/419-435;  
280/7.1, 7.11, 7.15, 87.01, 87.021, 87.05,  
280/47.17, 47.25, 47.38, 47.34, 87.051, 827,  
280/828; 180/65.1

See application file for complete search history.

**DESCRIPTION**

The nature and intended use of the article in which the design is embodied is that of a small vehicle for children and the like.

FIG. 1 is a perspective view of a young child vehicle showing my new design;

FIG. 2 is a rear view thereof;

FIG. 3 is a front view thereof;

FIG. 4 is a side view thereof; and,

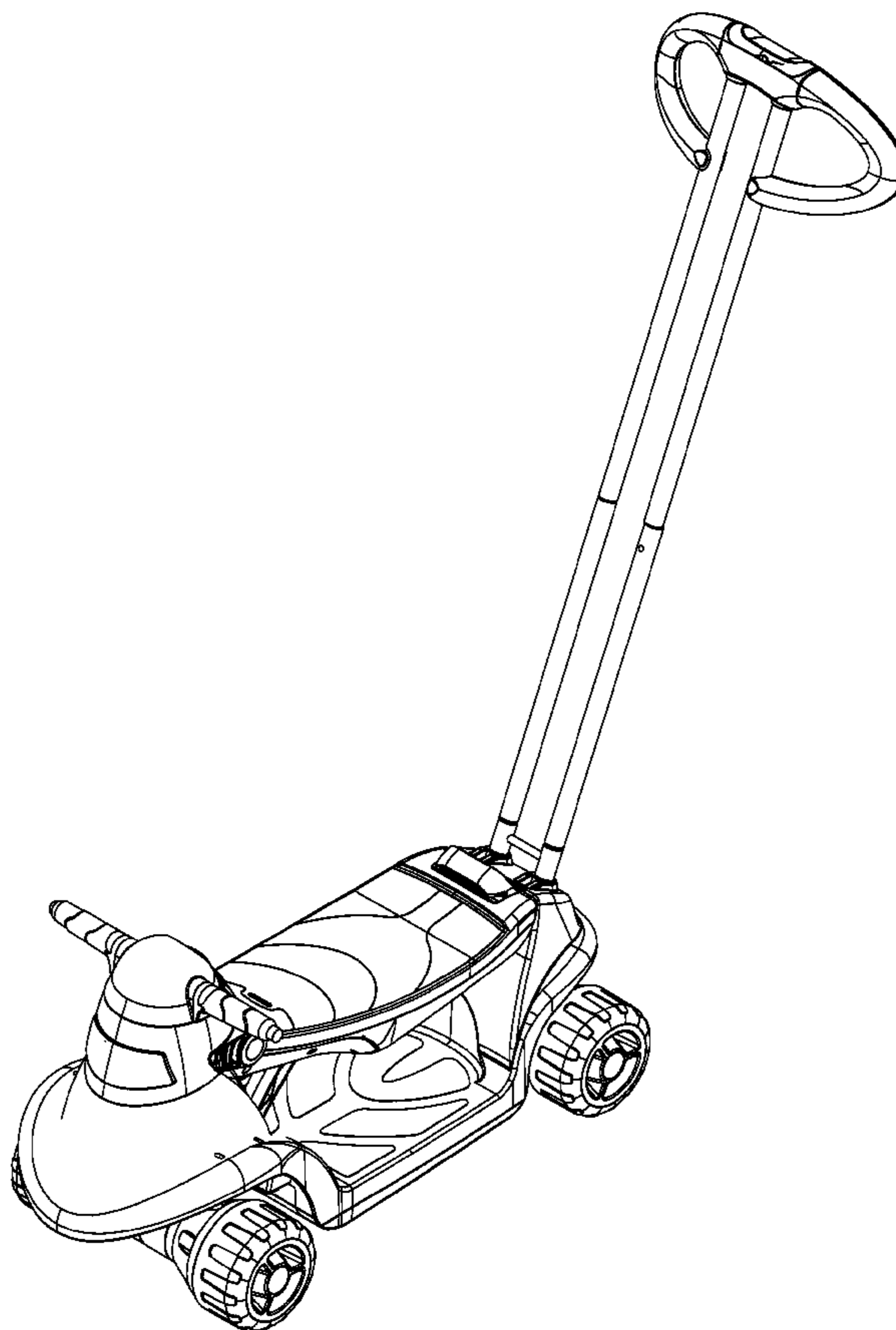
FIG. 5 is a top view thereof.

(56) **References Cited**

U.S. PATENT DOCUMENTS

- D320,238 S \* 9/1991 Kassai ..... D21/424
- D320,239 S \* 9/1991 Kassai ..... D21/424
- D345,770 S \* 4/1994 Liu ..... D21/424
- D352,741 S \* 11/1994 Nakai ..... D21/424
- 5,441,289 A \* 8/1995 Spielberger ..... 280/87.051
- D469,820 S \* 2/2003 Lanchais ..... D21/433

**1 Claim, 5 Drawing Sheets**



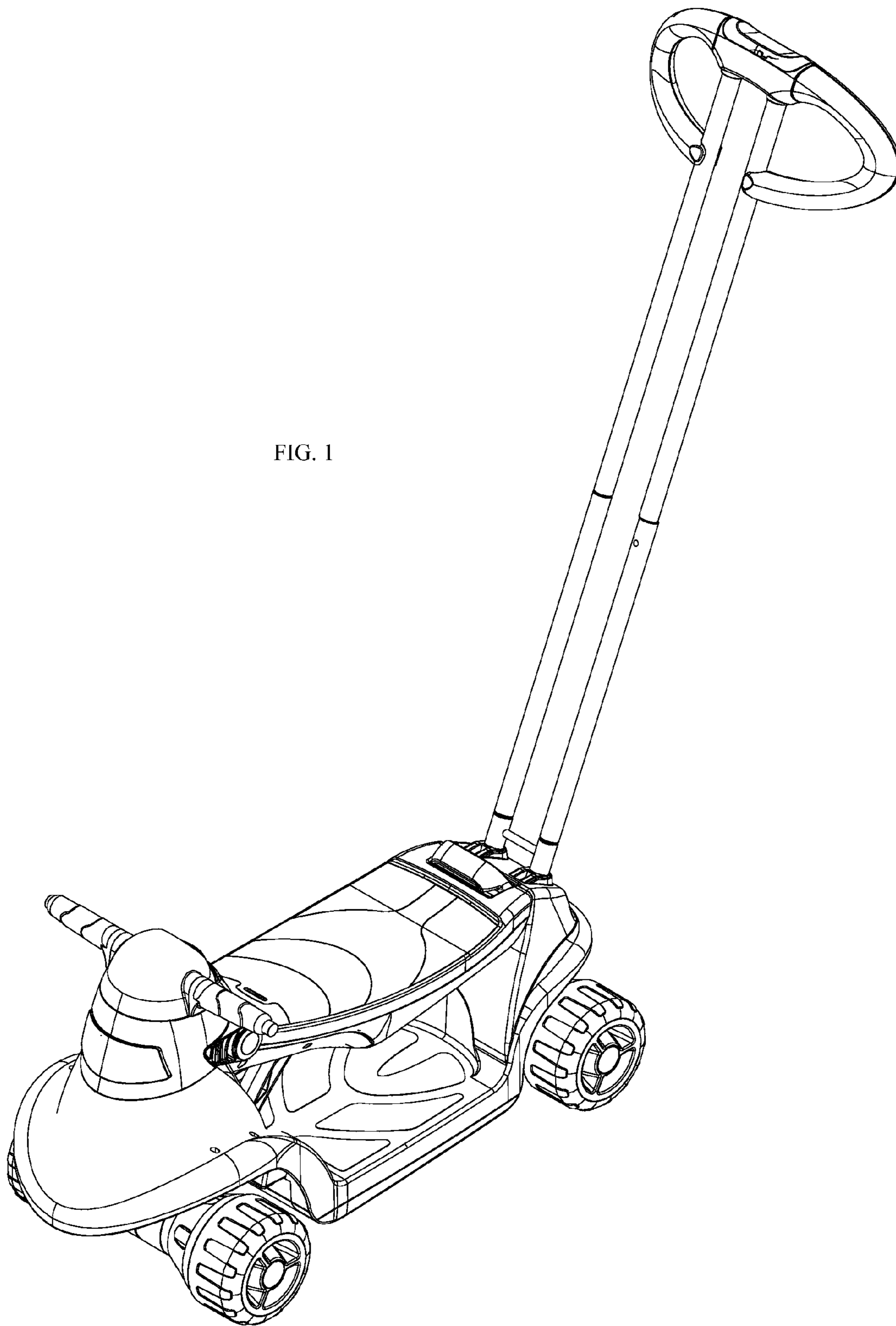


FIG. 1

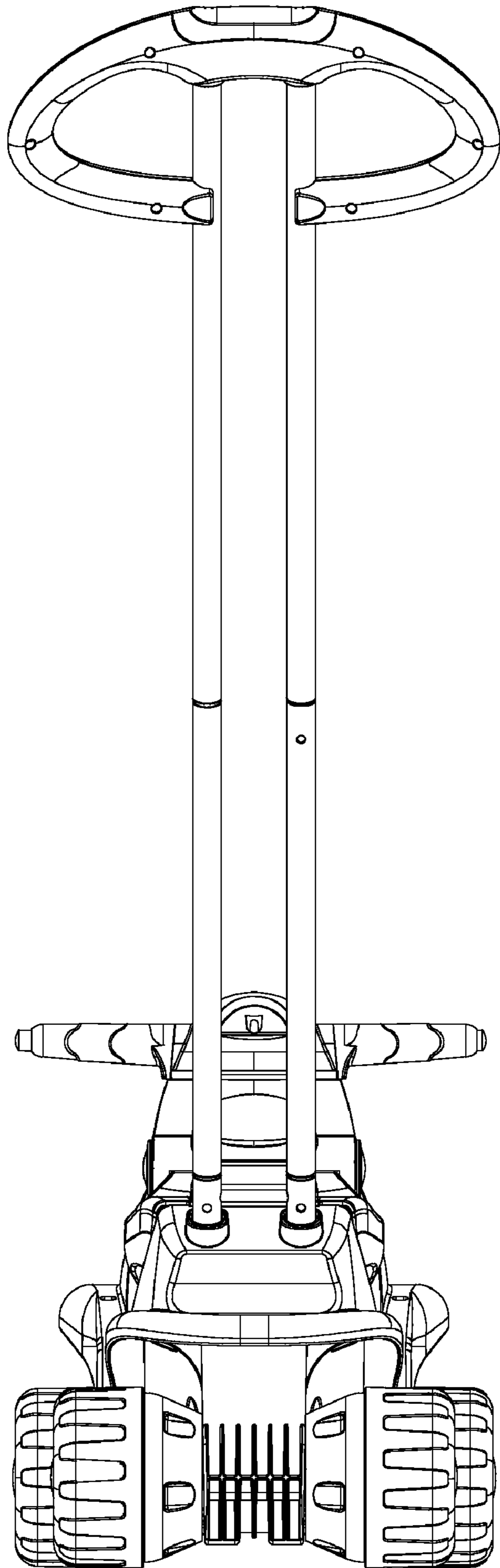


FIG. 2

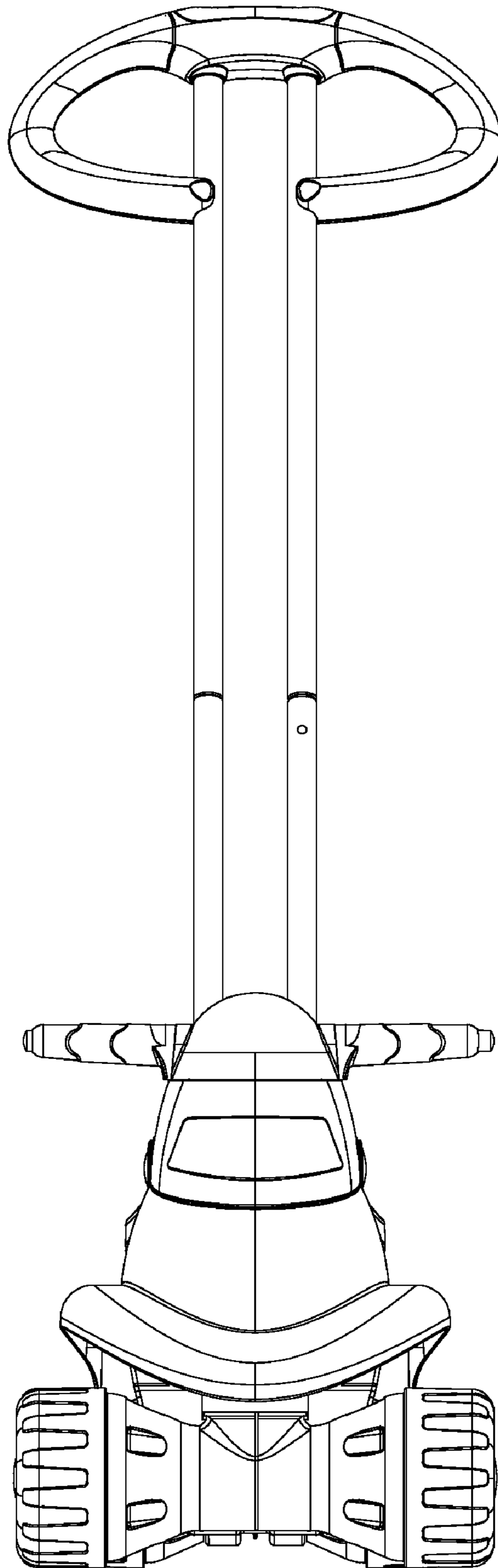


FIG. 3

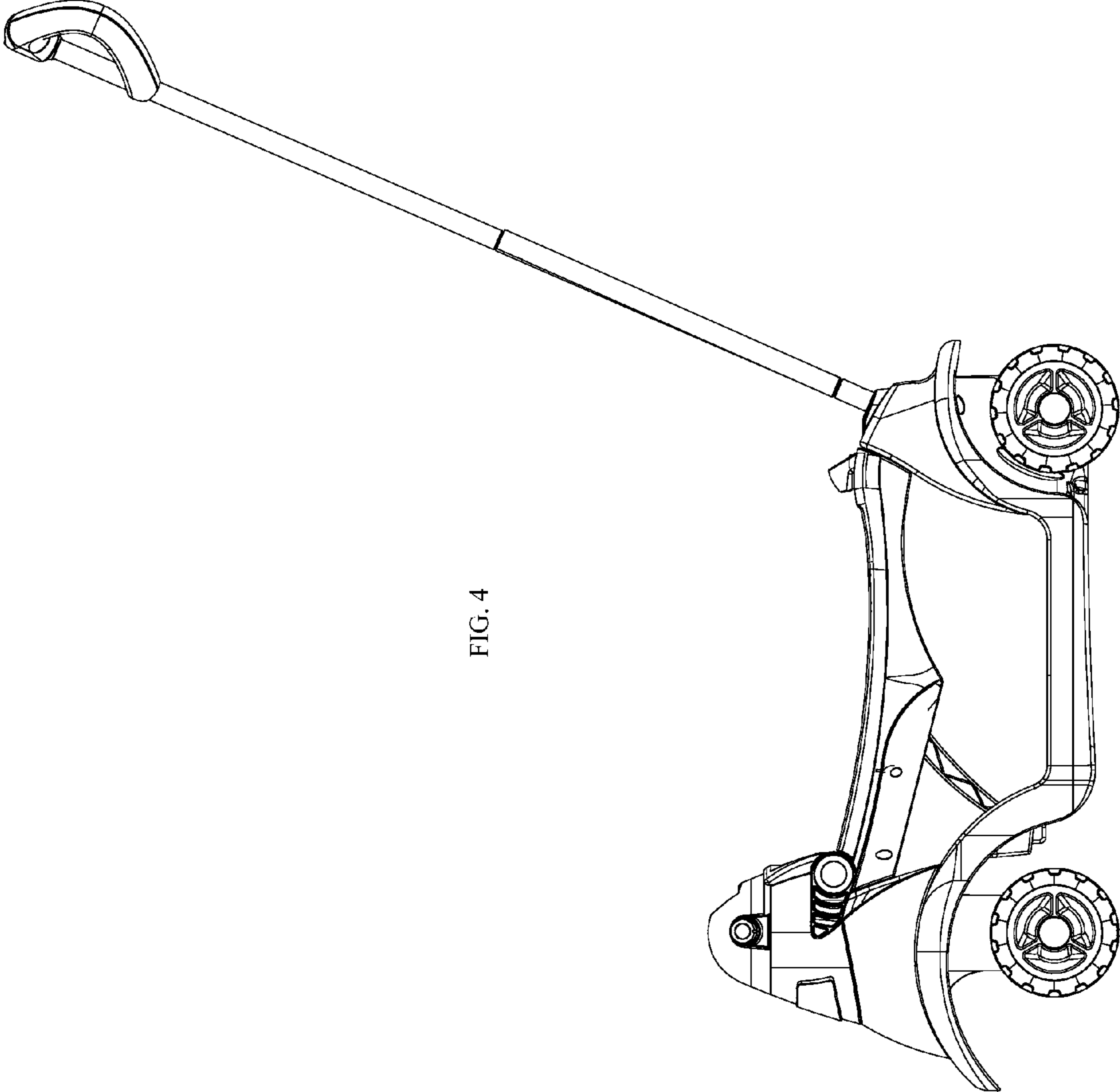


FIG. 4

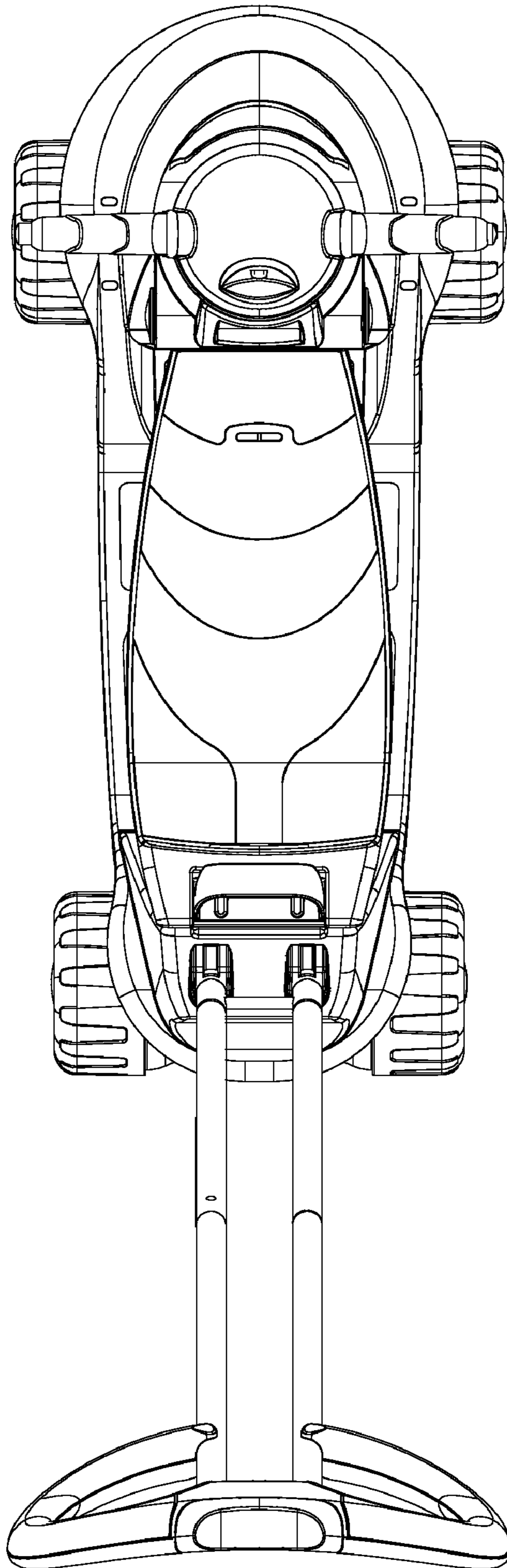


FIG. 5