

US00D571863S

(12) **United States Design Patent**
On

(10) **Patent No.:** **US D571,863 S**

(45) **Date of Patent:** **** Jun. 24, 2008**

(54) **YOUNG CHILD VEHICLE**

D469,820 S * 2/2003 Lanchais D21/433
D481,423 S * 10/2003 Nien D21/424
D485,871 S * 1/2004 Horchler D21/424

(75) Inventor: **Yoram Bar On**, Sderot (IL)

* cited by examiner

(73) Assignee: **Smart Baby Toys**, Sheung Wan (HK)

Primary Examiner—Holly H. Baynham

(**) Term: **14 Years**

Assistant Examiner—Cynthia M Chin

(21) Appl. No.: **29/284,973**

(74) *Attorney, Agent, or Firm*—Dekel Patent Ltd.; David Klein

(22) Filed: **Sep. 19, 2007**

(57) **CLAIM**

(51) **LOC (8) Cl.** **21-01**

The ornamental design for a young child vehicle, as shown and described.

(52) **U.S. Cl.** **D21/424**

(58) **Field of Classification Search** D21/419,
D21/423–428, 431–435; 280/7.1, 7.11, 7.15,
280/87.01, 87.021, 87.05, 47.17, 47.25, 47.38,
280/47.34, 87.051, 827, 828; 180/65.1
See application file for complete search history.

DESCRIPTION

The nature and intended use of the article in which the design is embodied is that of a small vehicle for children and the like.

(56) **References Cited**

FIG. 1 is a perspective view of a young child vehicle showing my new design;

U.S. PATENT DOCUMENTS

FIG. 2 is a rear view thereof;

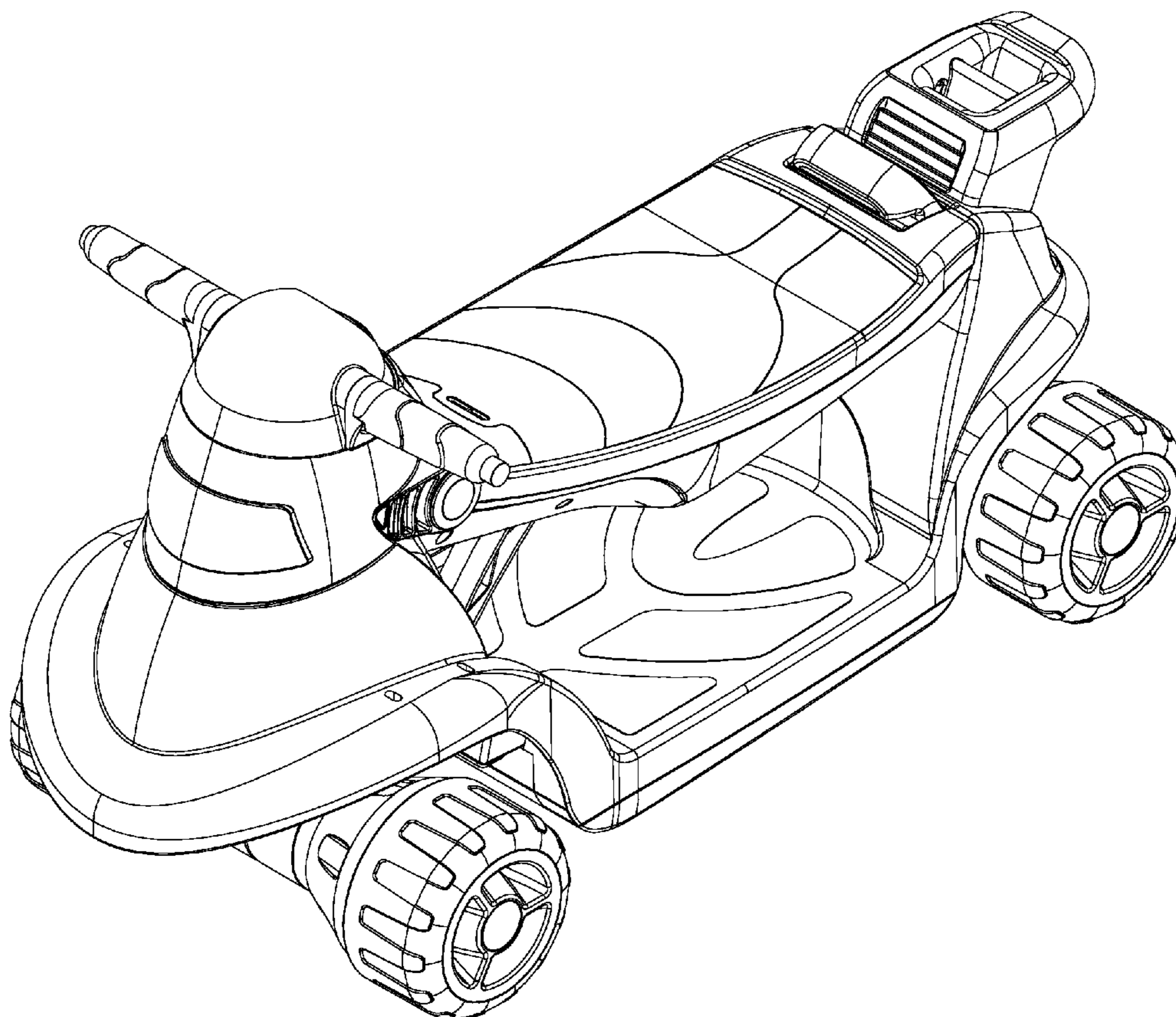
D320,239 S * 9/1991 Kassai D21/424
D344,298 S * 2/1994 Gault D21/424
D352,741 S * 11/1994 Nakai D21/424
5,441,289 A * 8/1995 Spielberg 280/87.051
D436,386 S * 1/2001 Huntsberger D21/424
D441,808 S * 5/2001 Huntsberger D21/424
D469,477 S * 1/2003 Horchler D21/424

FIG. 3 is a front view thereof;

FIG. 4 is a side view thereof; and,

FIG. 5 is a top view thereof.

1 Claim, 5 Drawing Sheets



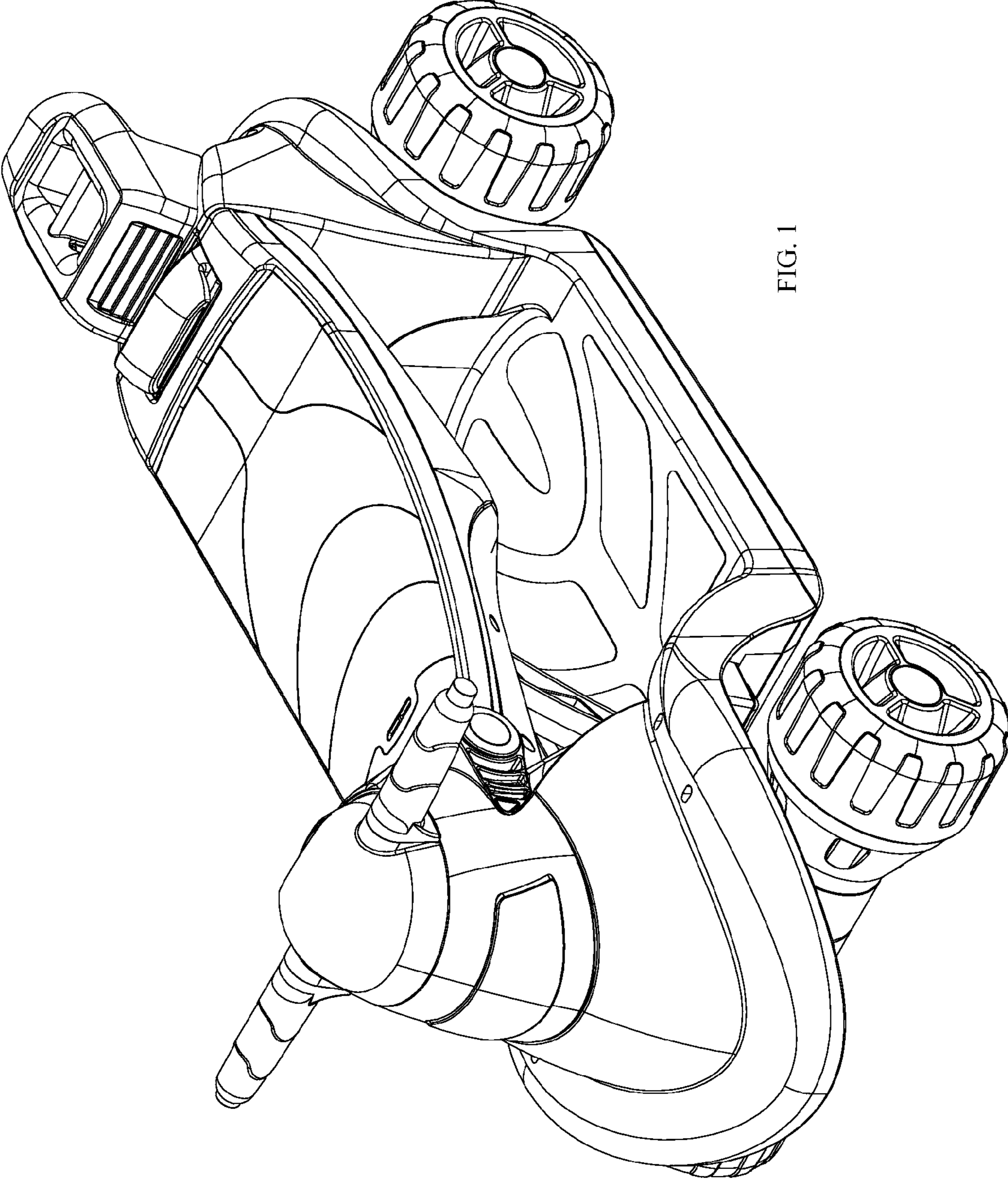


FIG. 1

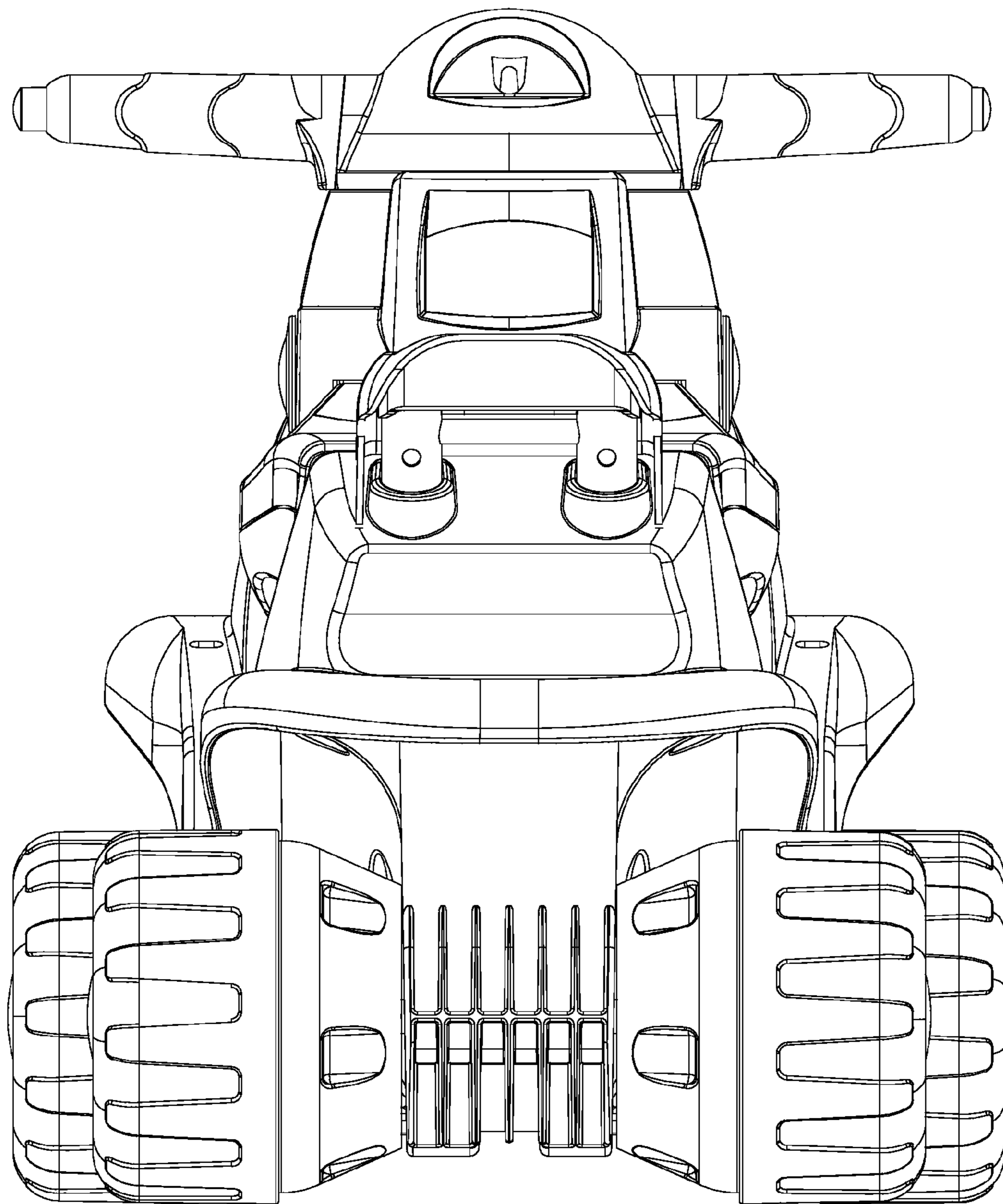


FIG. 2

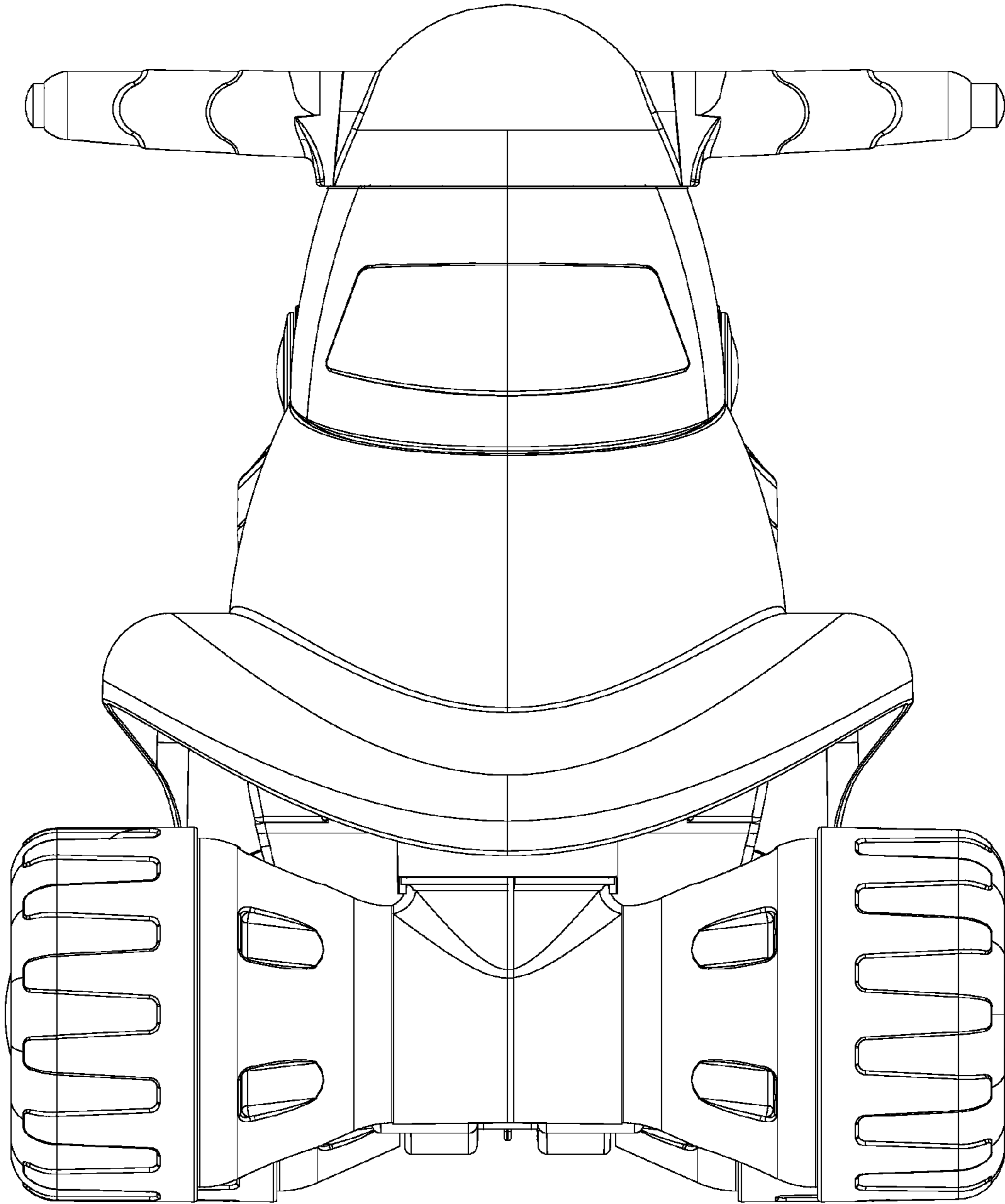


FIG. 3

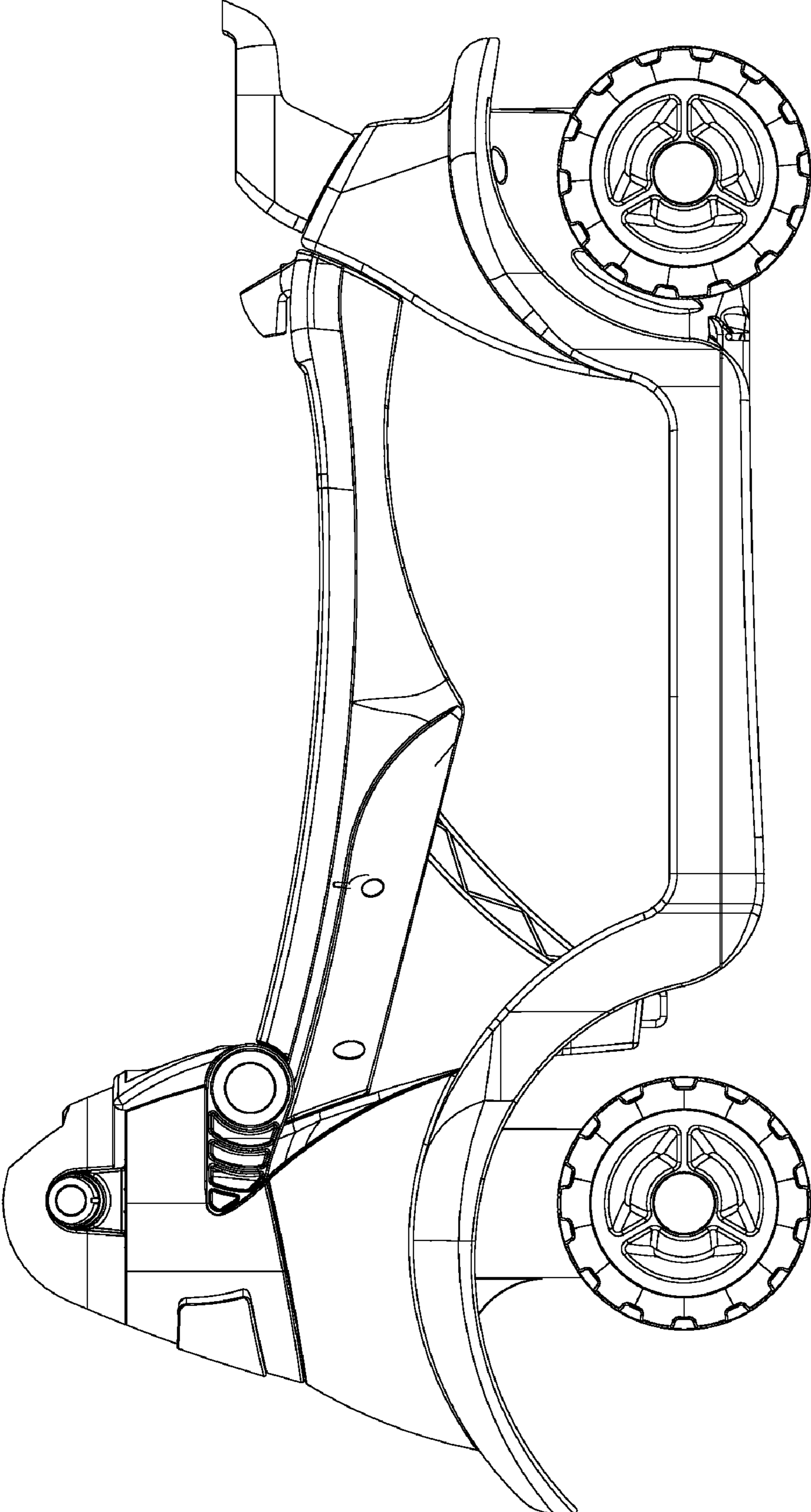


FIG. 4

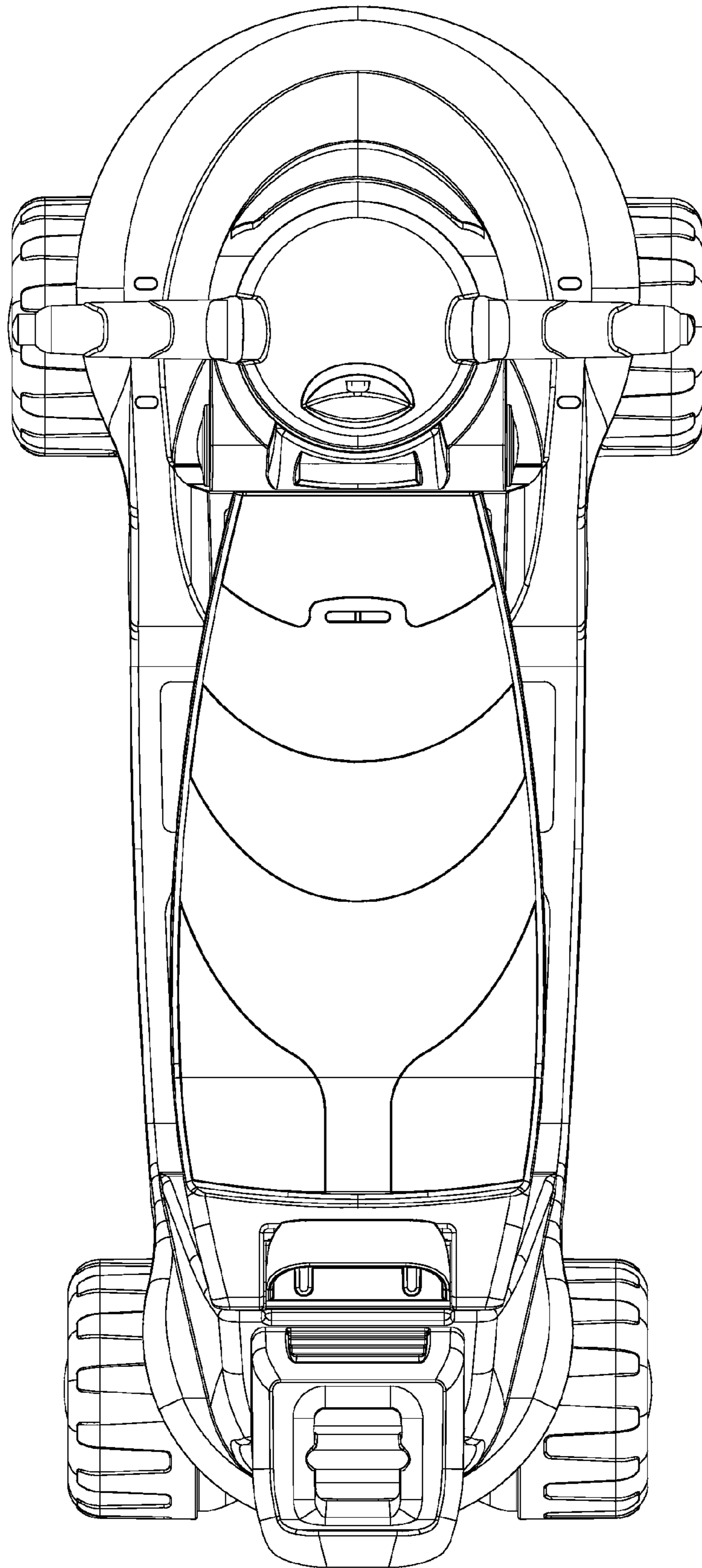


FIG. 5