



US00D571862S

(12) **United States Design Patent**
On

(10) **Patent No.:** **US D571,862 S**
(45) **Date of Patent:** **** Jun. 24, 2008**

(54) **YOUNG CHILD VEHICLE**

(75) Inventor: **Yoram Bar On**, Sderot (IL)

(73) Assignee: **Smart Baby Toys**, Sheung Wan (HK)

(**) Term: **14 Years**

(21) Appl. No.: **29/284,972**

(22) Filed: **Sep. 19, 2007**

(51) **LOC (8) Cl.** **21-01**

(52) **U.S. Cl.** **D21/424**

(58) **Field of Classification Search** D21/412,
D21/414, 419, 423-428, 431-435; D12/1,
D12/129, 130, 133; 280/87.01, 87.021, 87.05,
280/87.051, 47.17, 47.25, 47.34, 47.38, 47.4,
280/827, 828; 297/5; 482/68

See application file for complete search history.

(56) **References Cited**

U.S. PATENT DOCUMENTS

- D320,239 S * 9/1991 Kassai D21/424
- D326,289 S * 5/1992 Kassai D21/433
- D352,741 S * 11/1994 Nakai D21/424
- D403,715 S * 1/1999 Keegan et al. D21/414

- D469,820 S * 2/2003 Lanchais D21/433
- D481,423 S * 10/2003 Nien D21/424
- D485,871 S * 1/2004 Horchler D21/424

* cited by examiner

Primary Examiner—Holly H. Baynham

Assistant Examiner—Cynthia M. Chin

(74) *Attorney, Agent, or Firm*—Dekel Patent Ltd.; David Klein

(57) **CLAIM**

The ornamental design for a young child vehicle, as shown and described.

DESCRIPTION

The nature and intended use of the article in which the design is embodied is that of a small vehicle for children and the like.

FIG. 1 is a perspective view of a young child vehicle showing my new design;

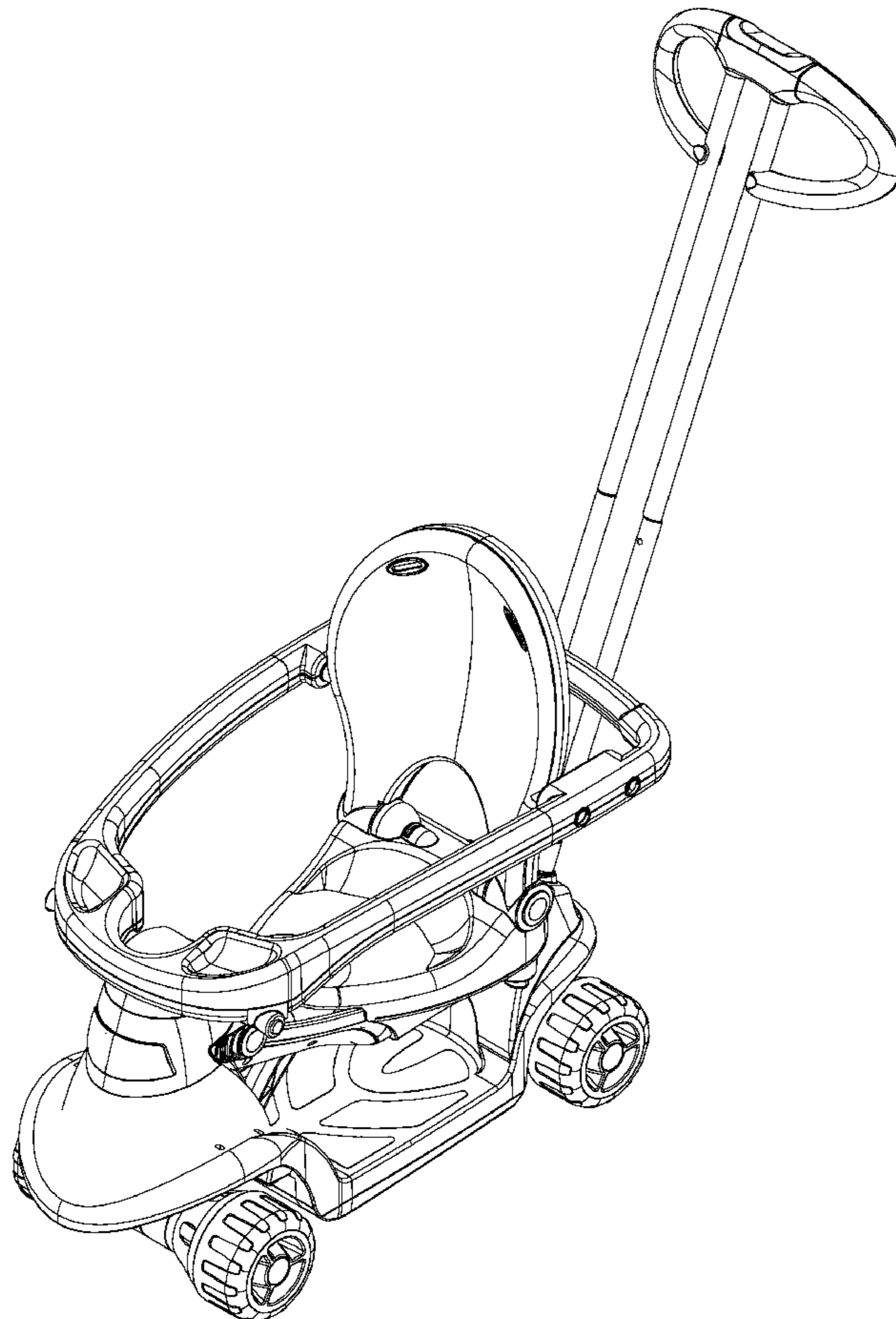
FIG. 2 is a rear view thereof;

FIG. 3 is a front view thereof;

FIG. 4 is a side view thereof; and,

FIG. 5 is a top view thereof.

1 Claim, 5 Drawing Sheets



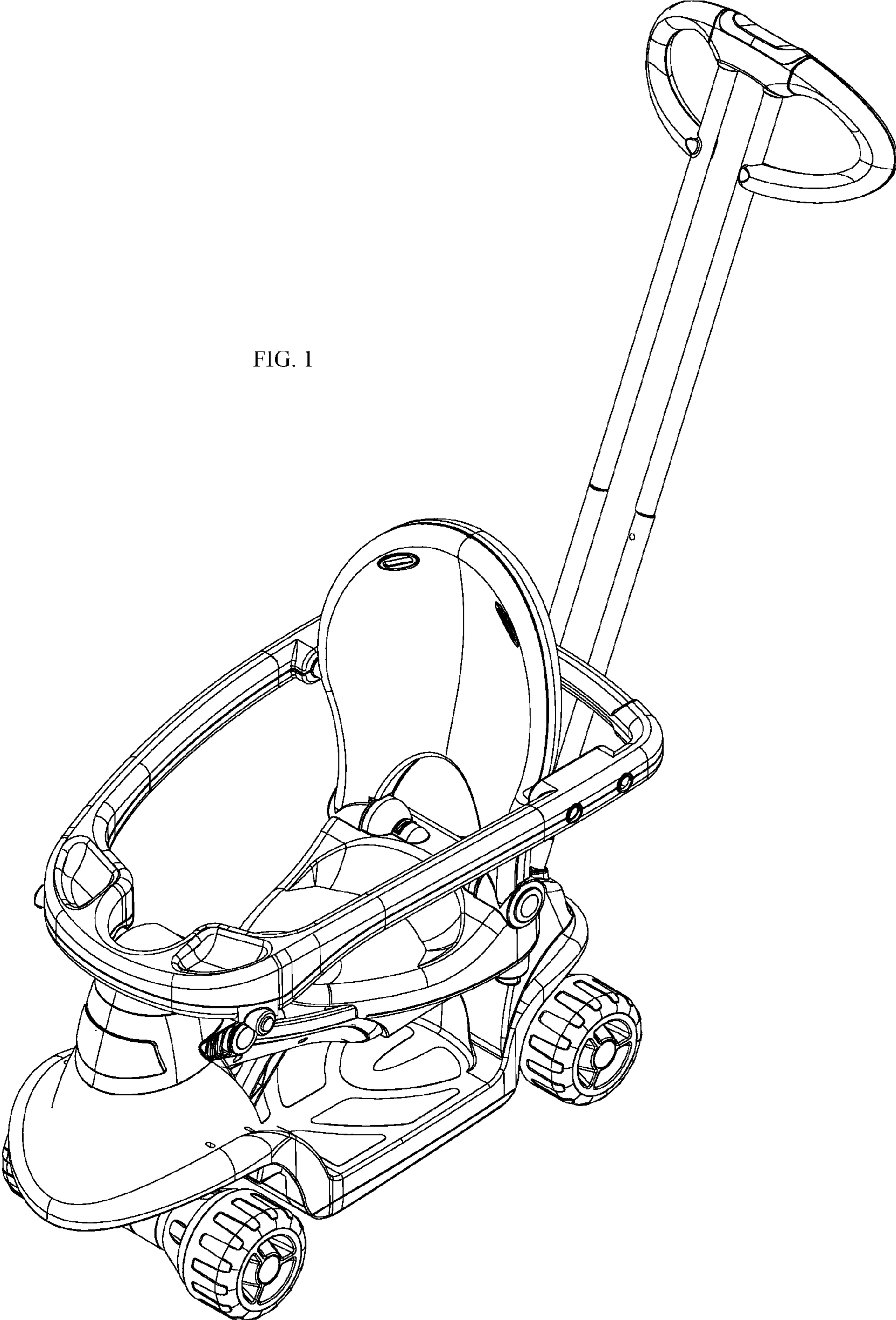


FIG. 1

FIG. 2

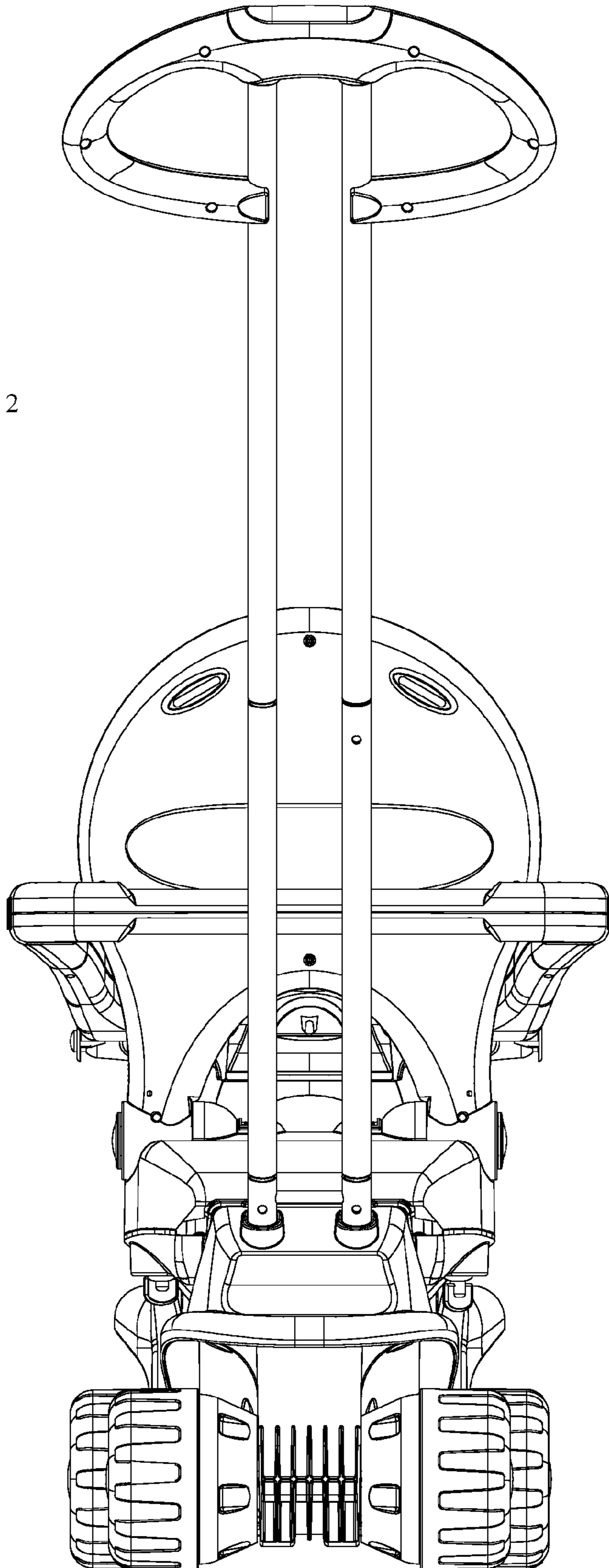


FIG. 3

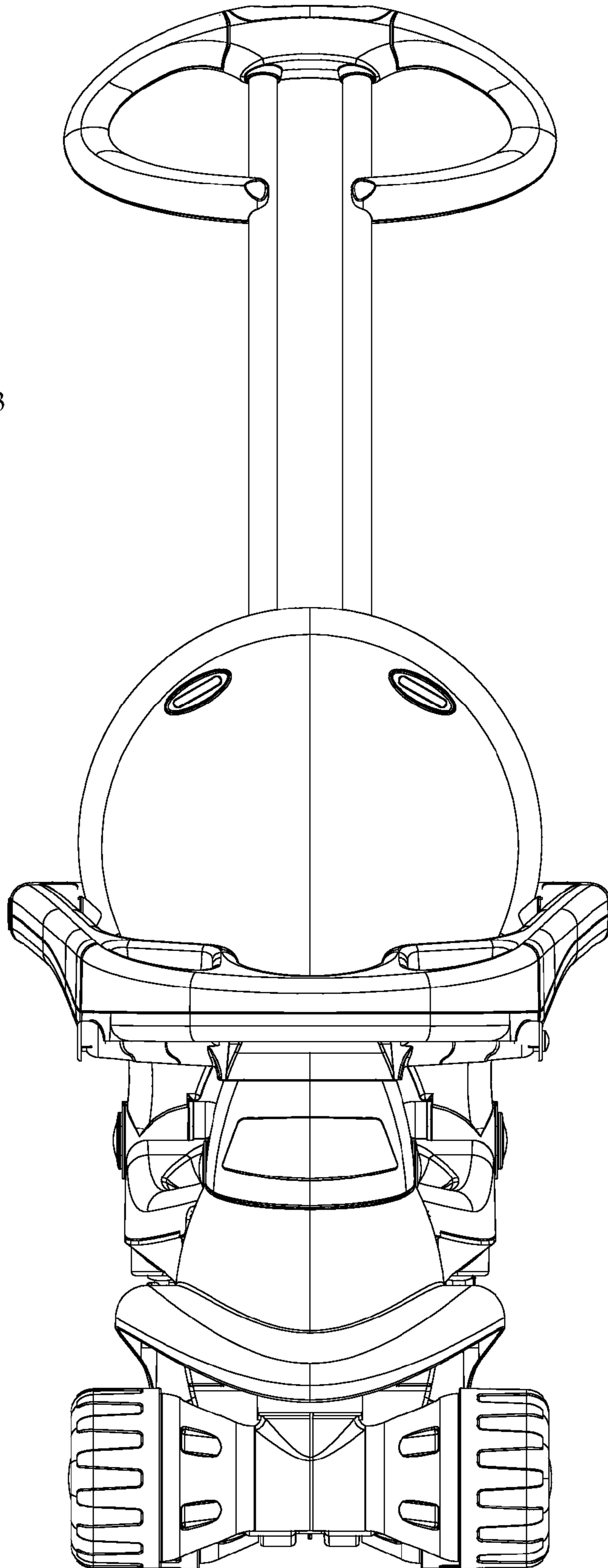
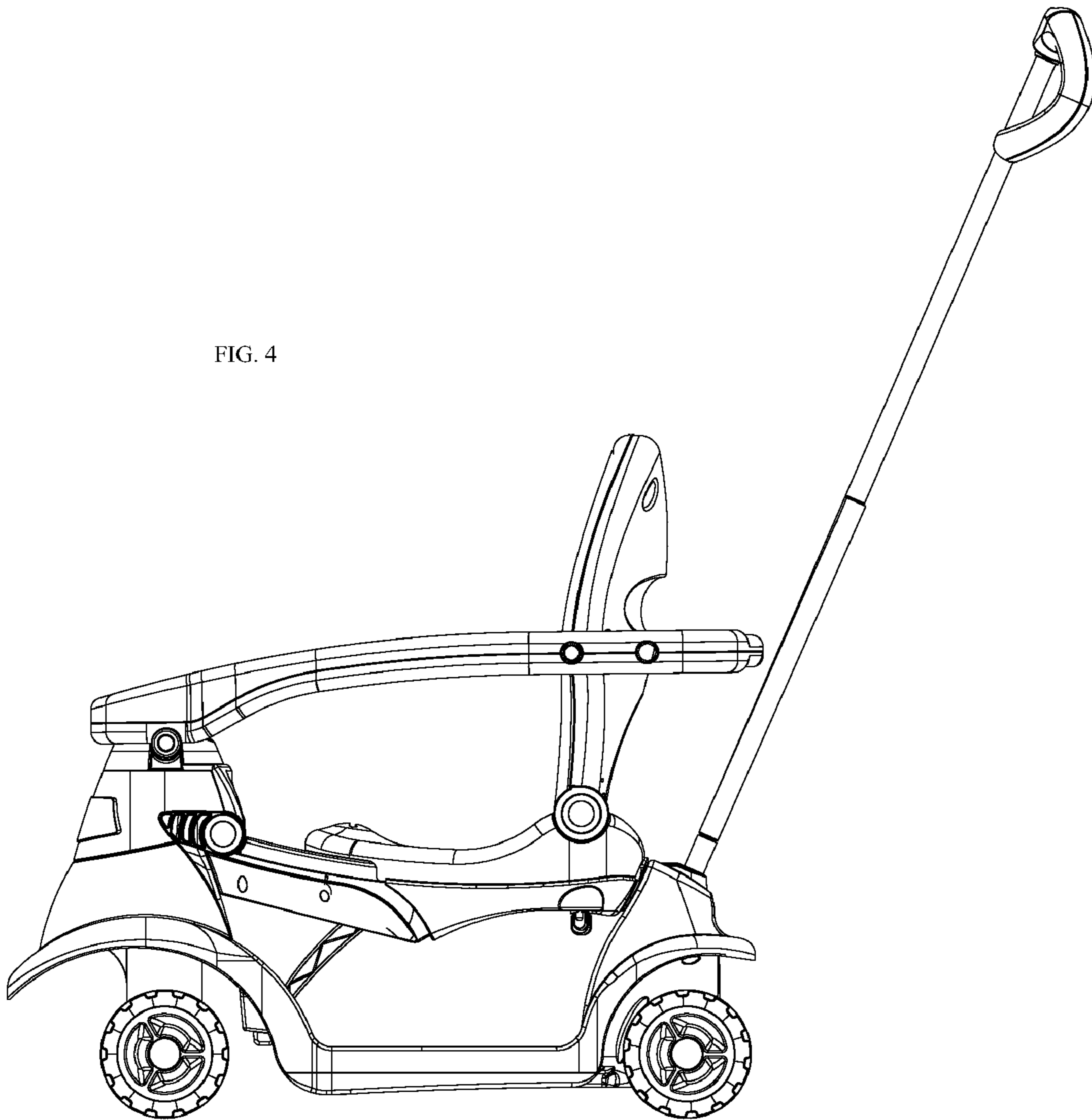


FIG. 4



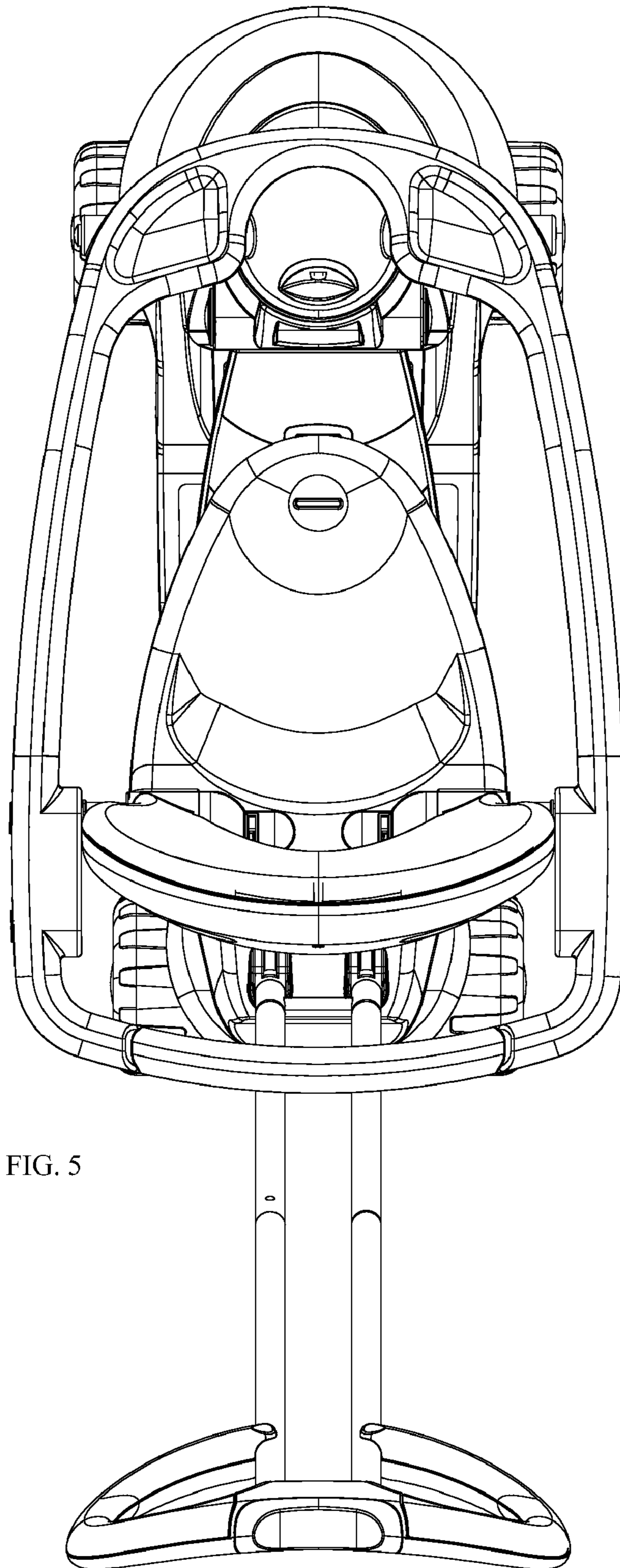


FIG. 5