

US00D571861S

(12) **United States Design Patent**
On

(10) **Patent No.:** **US D571,861 S**
(45) **Date of Patent:** **** Jun. 24, 2008**

(54) **YOUNG CHILD VEHICLE**

(75) Inventor: **Yoram Bar On**, Sderot (IL)

(73) Assignee: **Smart Baby Toys** (HK)

(**) Term: **14 Years**

(21) Appl. No.: **29/284,978**

(22) Filed: **Sep. 19, 2007**

(51) **LOC (8) Cl.** **21-01**

(52) **U.S. Cl.** **D21/423**

(58) **Field of Classification Search** D21/419-435;
D12/1, 110-113; 280/87.01, 87.021, 87.041,
280/263, 288.1, 288.2, 200, 210, 214, 29;
180/180, 181, 65.1

See application file for complete search history.

(56) **References Cited**

U.S. PATENT DOCUMENTS

D244,048 S * 4/1977 Daverin D21/423
D337,622 S * 7/1993 Schiffman D21/423
D352,076 S * 11/1994 Cheung D12/112
D373,389 S * 9/1996 Bro et al. D21/423

D409,255 S * 5/1999 Han D21/419
D423,603 S * 4/2000 Tasy D21/424
2002/0000702 A1 * 1/2002 Charron 280/87.021

* cited by examiner

Primary Examiner—Holly H. Baynham

Assistant Examiner—Cynthia M Chin

(74) *Attorney, Agent, or Firm*—Dekel Patent Ltd.; David Klein

(57) **CLAIM**

The ornamental design for a young child vehicle, as shown and described.

DESCRIPTION

FIG. 1 is a perspective view of a young child vehicle showing my new design;

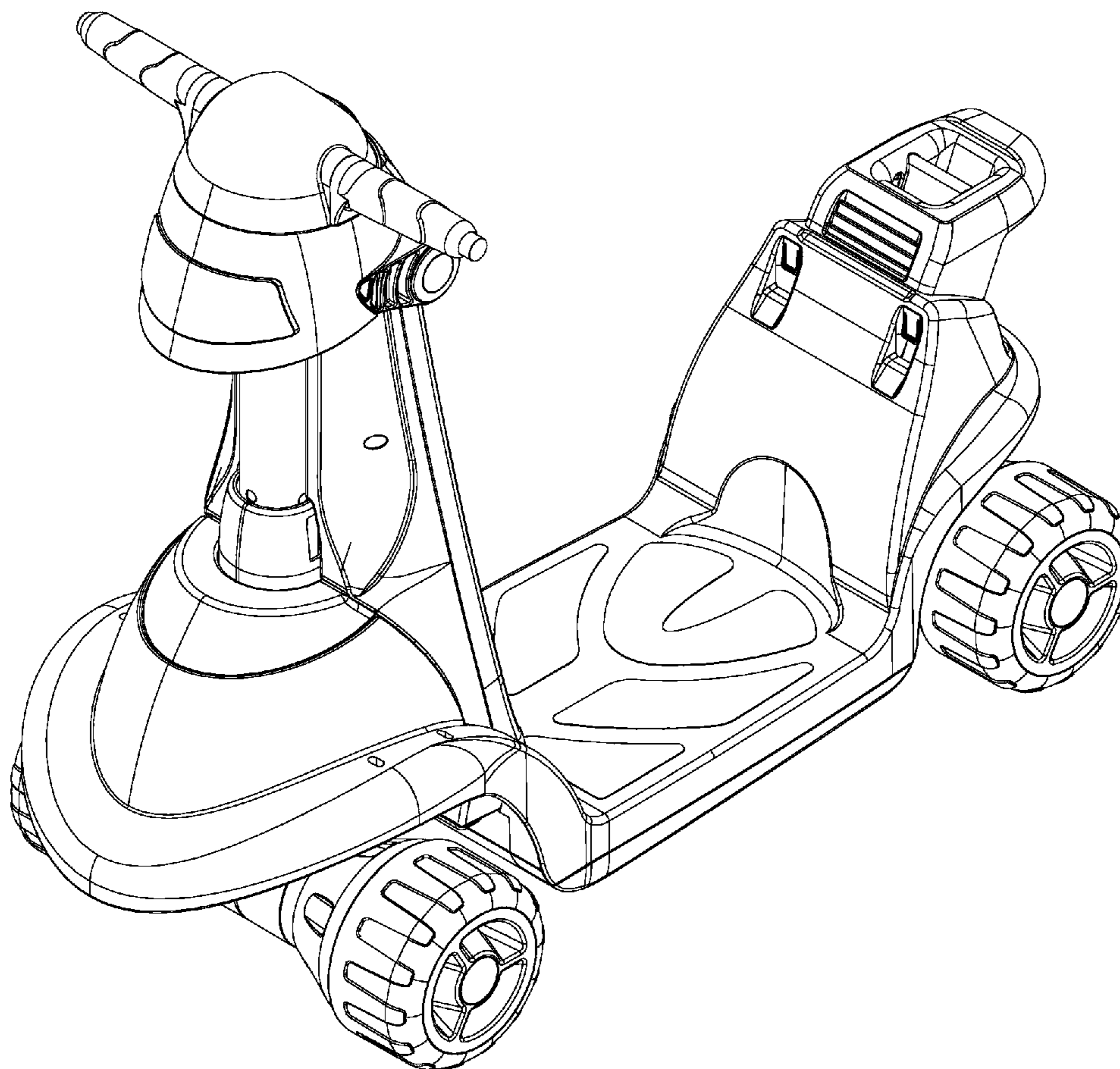
FIG. 2 is a rear view thereof;

FIG. 3 is a front view thereof;

FIG. 4 is a side view thereof; and,

FIG. 5 is a top view thereof.

1 Claim, 5 Drawing Sheets



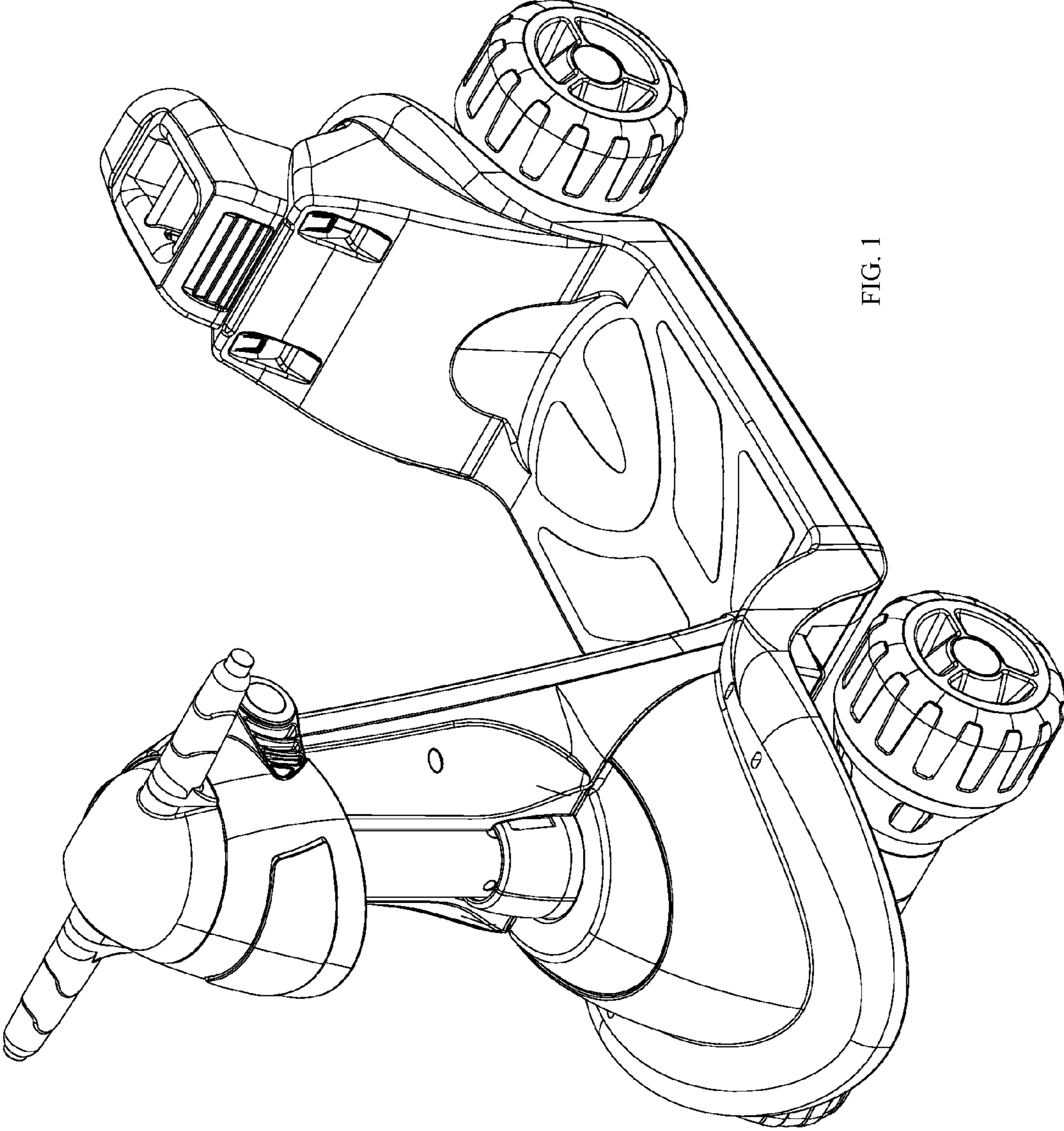


FIG. 1

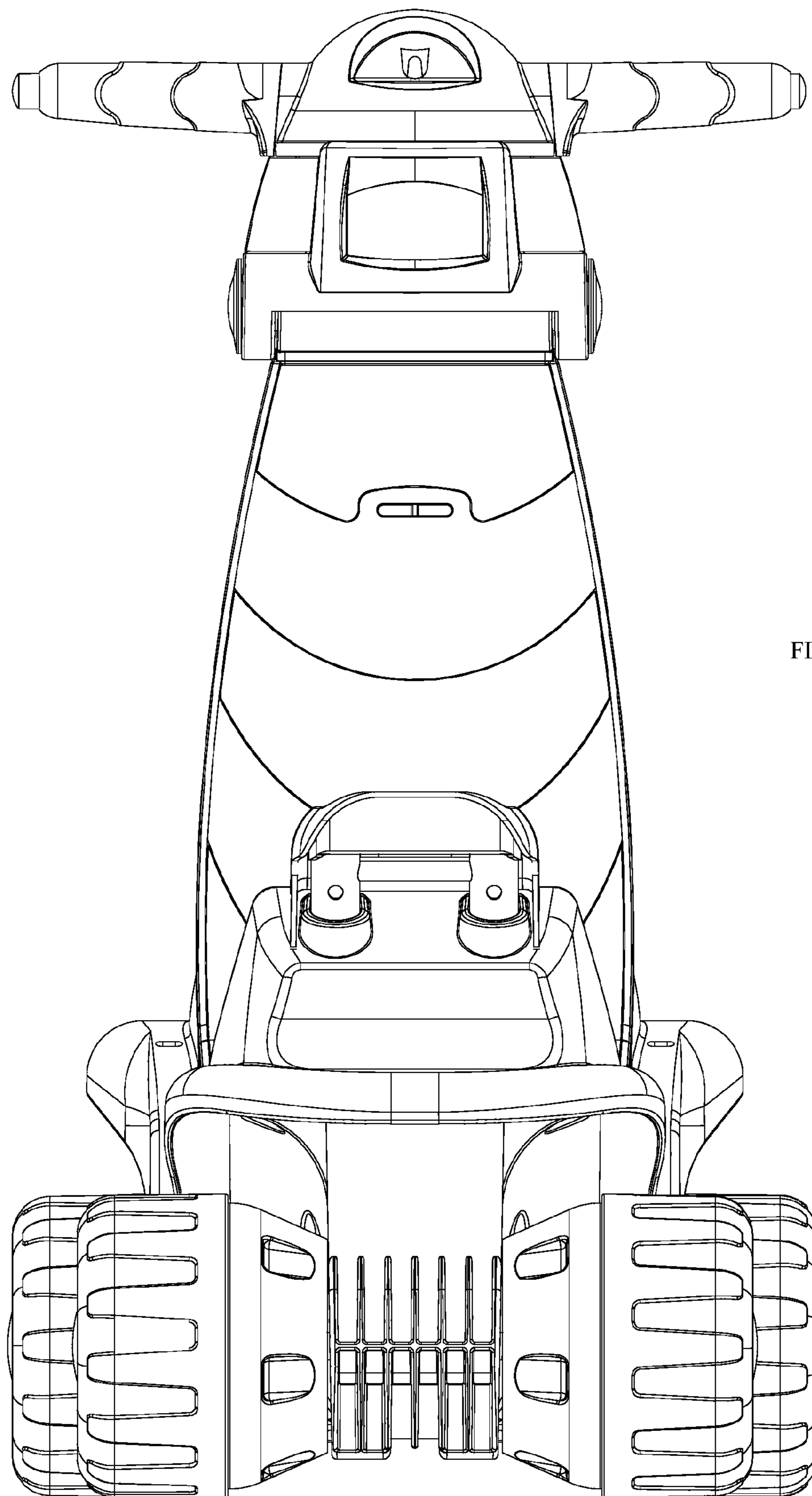


FIG. 2

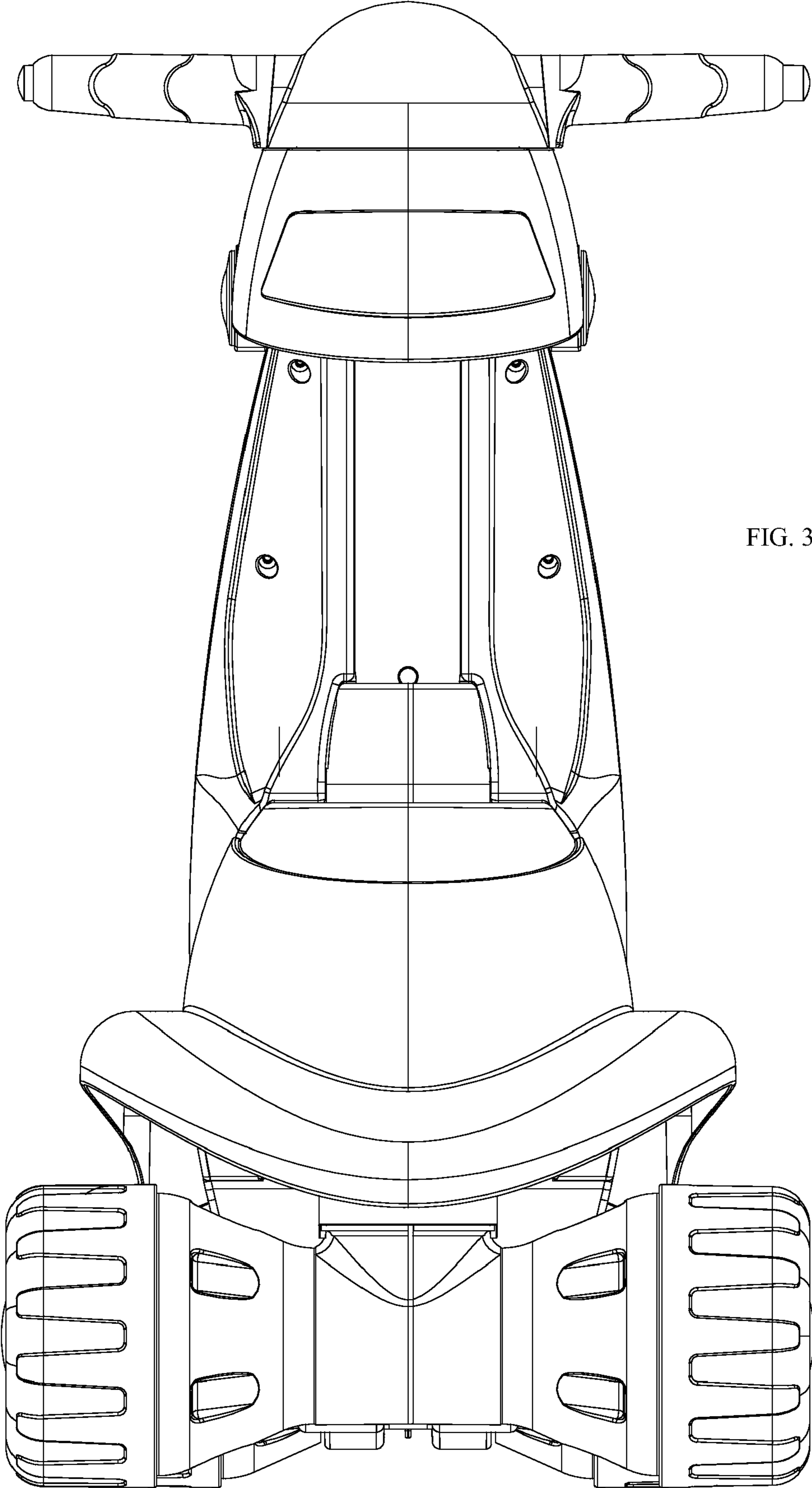


FIG. 3

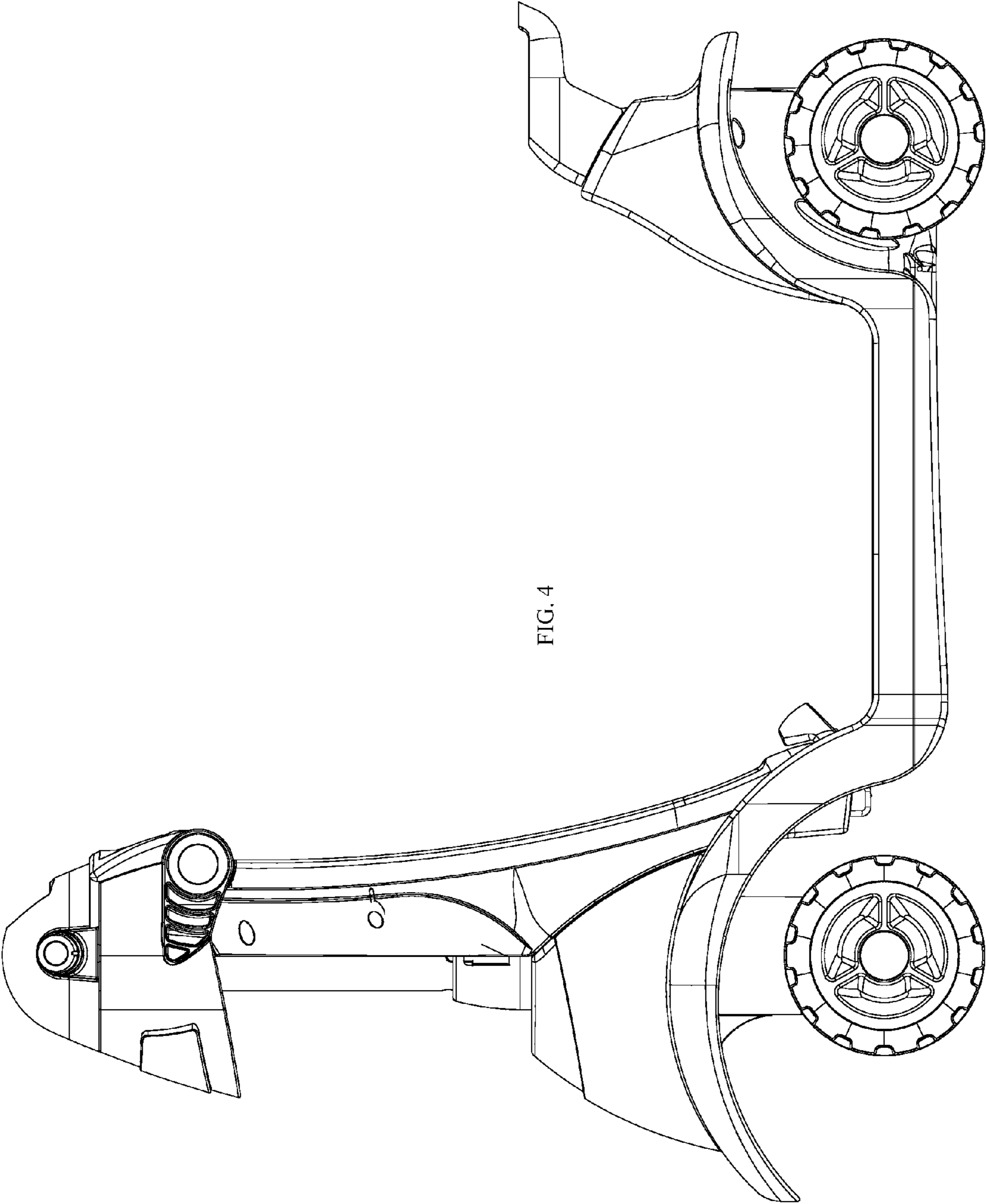


FIG. 4

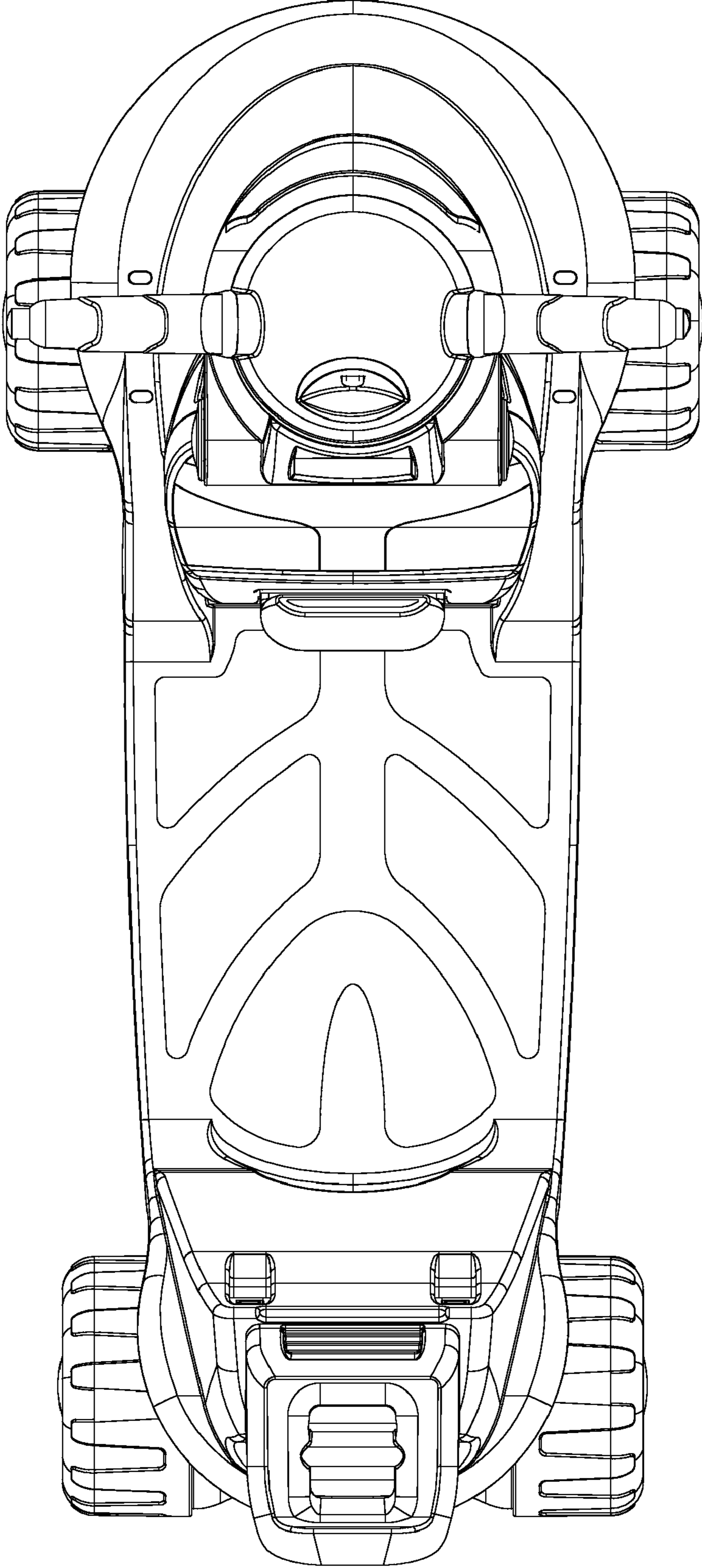


FIG. 5