

US00D571860S

(12) **United States Design Patent**  
**On**

(10) **Patent No.:** **US D571,860 S**

(45) **Date of Patent:** **\*\* Jun. 24, 2008**

(54) **YOUNG CHILD VEHICLE**

(75) Inventor: **Yoram Bar On**, Sderot (IL)

(73) Assignee: **Smart Baby Toys**, Sheung Wan (HK)

(\*\*) Term: **14 Years**

(21) Appl. No.: **29/284,979**

(22) Filed: **Sep. 19, 2007**

(51) **LOC (8) Cl.** ..... **21-01**

(52) **U.S. Cl.** ..... **D21/419**

(58) **Field of Classification Search** ..... D21/412,  
D21/414, 419-435; D12/1, 129, 130, 133;  
280/1.175, 1.193, 7.1, 7.15, 7.17, 87.01,  
280/87.021, 87.05, 87.051, 47.1, 47.12, 47.17,  
280/47.25, 47.38; 297/5; 482/68  
See application file for complete search history.

(56) **References Cited**

**U.S. PATENT DOCUMENTS**

4,494,763 A \* 1/1985 Whitehead ..... 280/1.175  
D401,894 S \* 12/1998 Cheng ..... D12/130  
7,007,959 B1 \* 3/2006 Lu ..... 280/87.051

\* cited by examiner

*Primary Examiner*—Cynthia M. Chin

(74) *Attorney, Agent, or Firm*—Dekel Patent Ltd.; David Klein

(57) **CLAIM**

The ornamental design for a young child vehicle, as shown and described.

**DESCRIPTION**

The nature and intended use of the article in which the design is embodied is that of a small vehicle for children and the like.

FIG. 1 is a perspective view of a young child vehicle showing my new design;

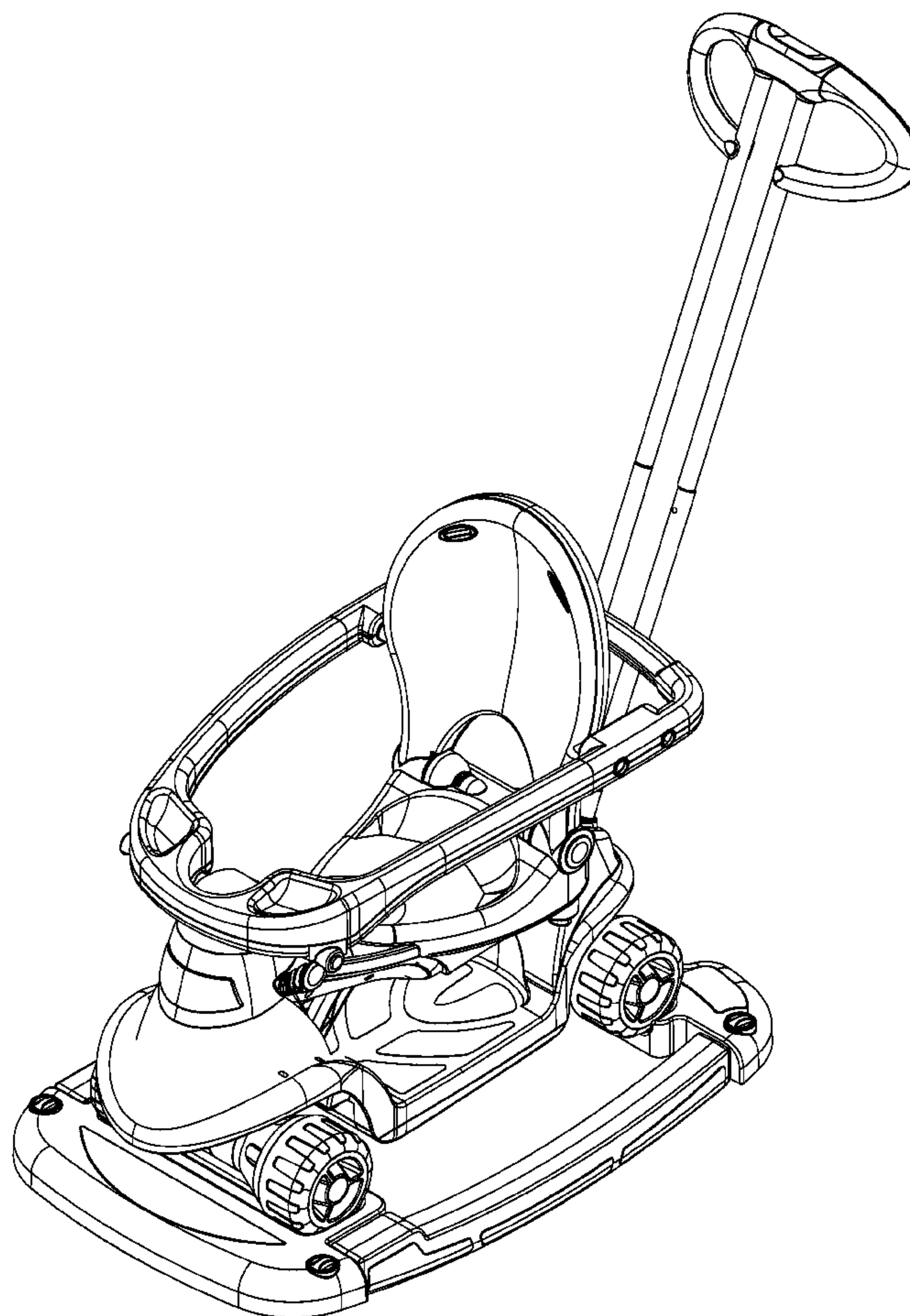
FIG. 2 is a rear view thereof;

FIG. 3 is a front view thereof;

FIG. 4 is a side view thereof; and,

FIG. 5 is a top view thereof.

**1 Claim, 5 Drawing Sheets**



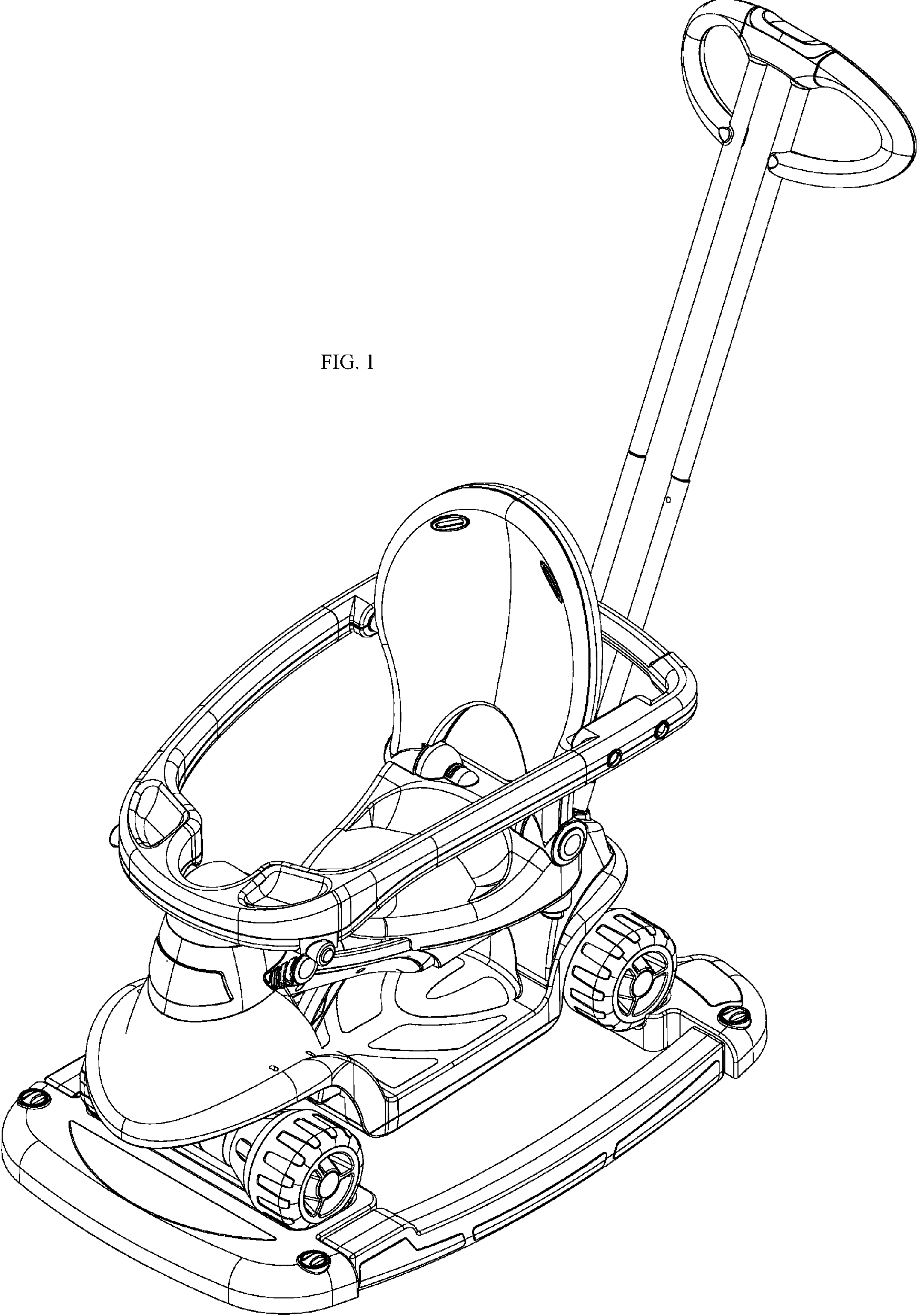


FIG. 1

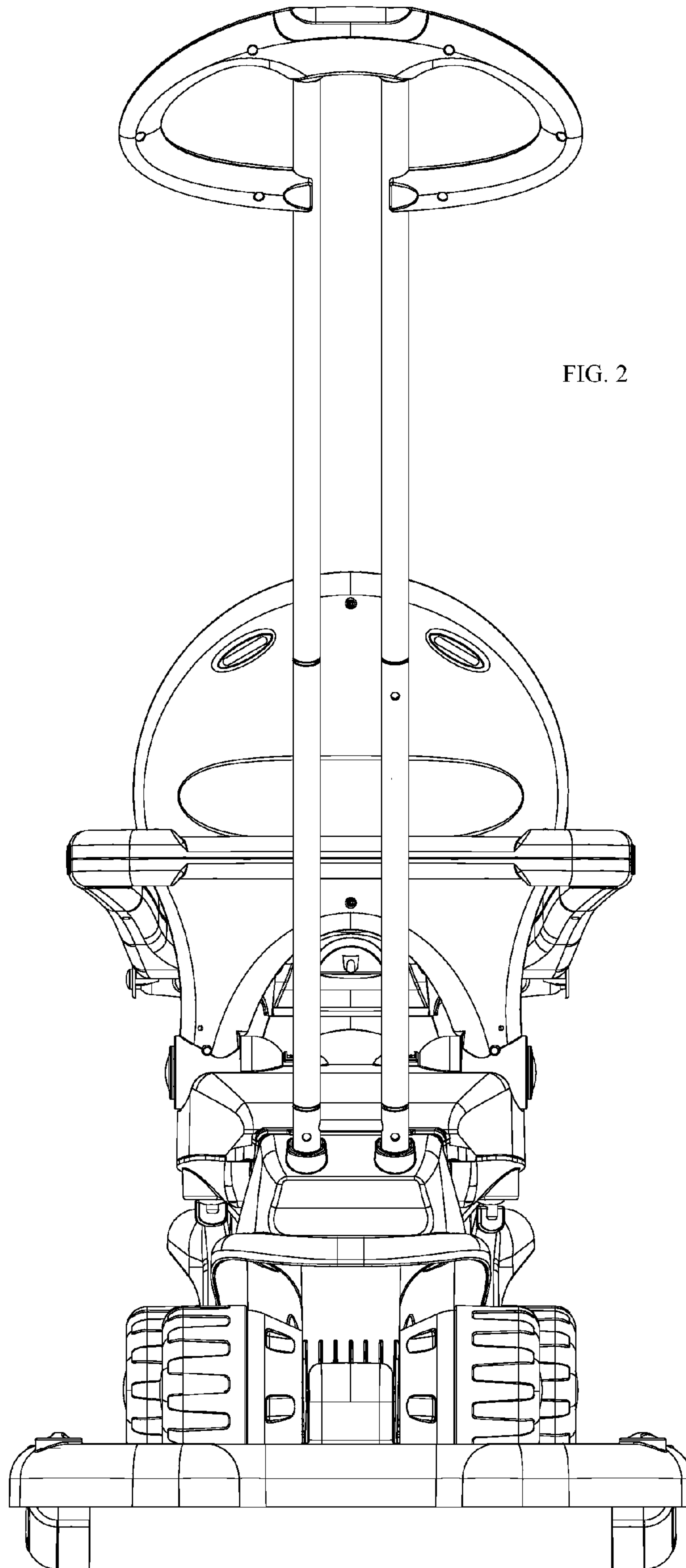


FIG. 2



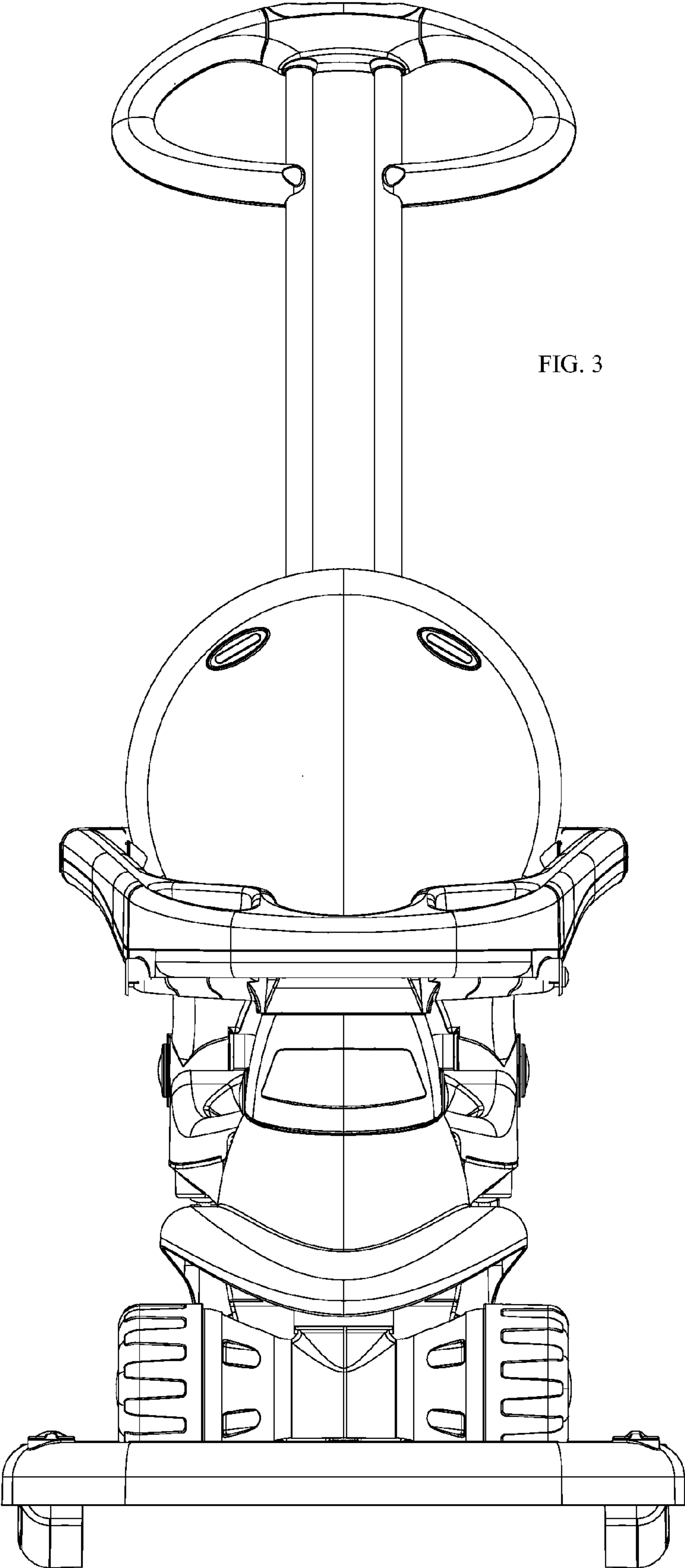
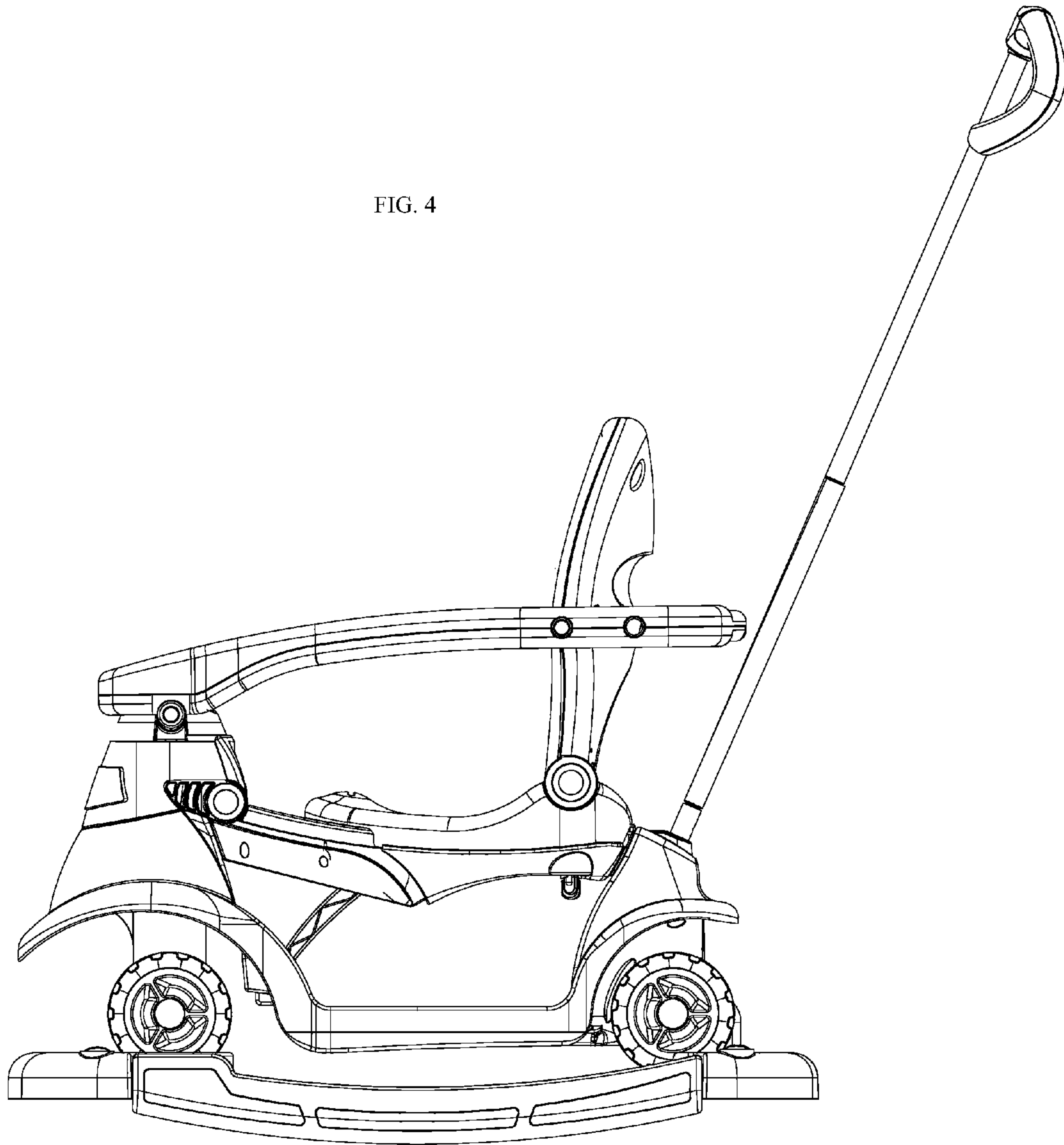


FIG. 3

FIG. 4



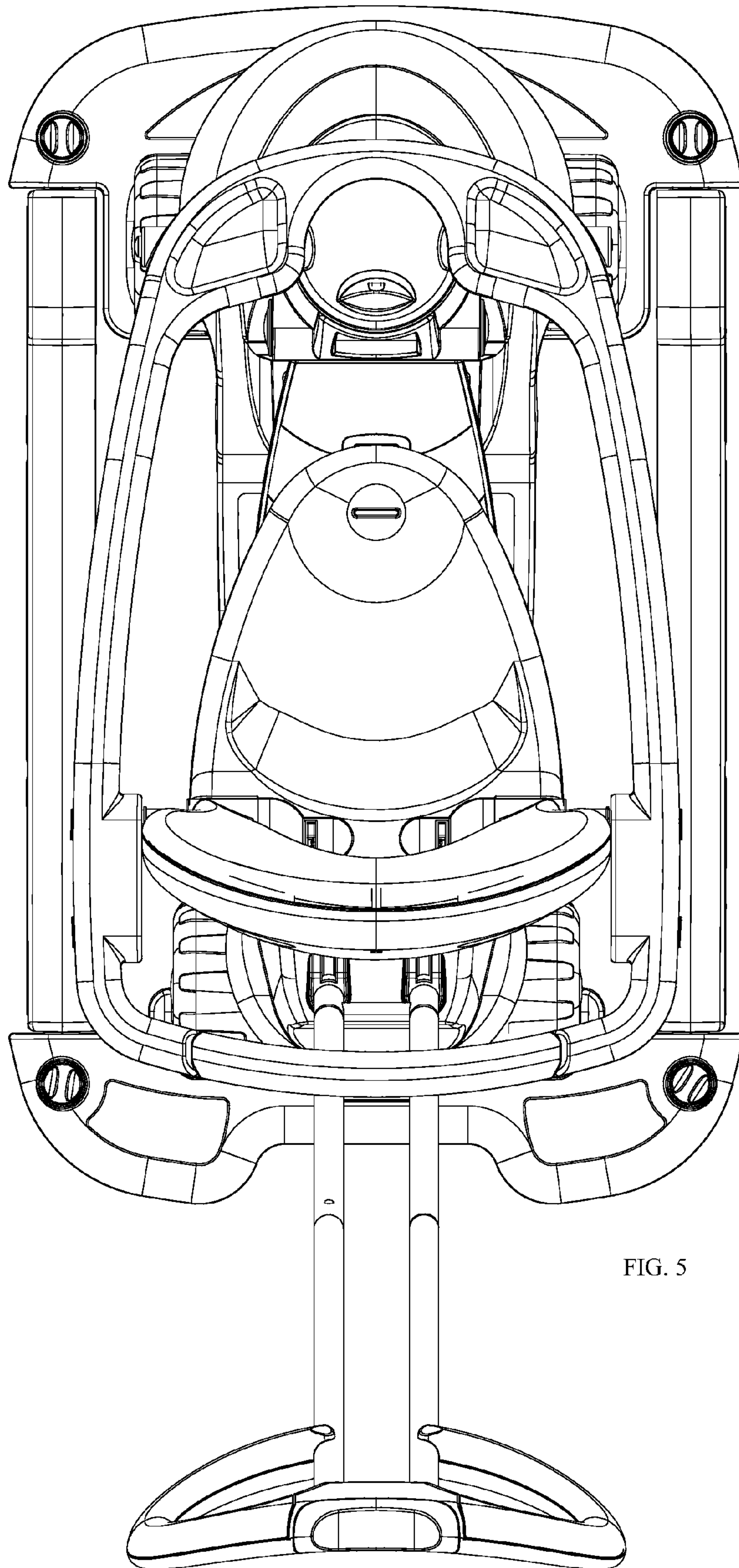


FIG. 5