



US00D571857S

(12) **United States Design Patent**
Parker

(10) **Patent No.:** **US D571,857 S**
(45) **Date of Patent:** **** Jun. 24, 2008**

(54) **GRADUATION MEMORABILIA BOOK**

(76) Inventor: **Jo Ann Parker**, 2313 W. 1300 North,
Clinton, UT (US) 84015

(**) Term: **14 Years**

(21) Appl. No.: **29/226,874**

(22) Filed: **Mar. 31, 2005**

(51) **LOC (8) Cl.** **19-04**

(52) **U.S. Cl.** **D19/26**

(58) **Field of Classification Search** 2/171.01,
2/200.3; D2/865; D19/6, 97; D9/632; 229/92.8,
229/800, 922; 40/530; 281/22, 63.1; 206/457,
206/472, 450; D6/581

See application file for complete search history.

(56) **References Cited**

U.S. PATENT DOCUMENTS

1,775,185	A *	9/1930	Aldrich	2/171.01
1,934,114	A *	11/1933	Brander	2/171.01
D283,175	S *	4/1986	Larue	D3/247
D341,373	S *	11/1993	Stern	D19/26
D389,513	S *	1/1998	Bell	D19/6
5,720,564	A *	2/1998	Winzen	402/3
D425,557	S *	5/2000	Imbernino	D19/26

(Continued)

Primary Examiner—Elizabeth A. Albert
Assistant Examiner—Kelley A. Donnelly
(74) *Attorney, Agent, or Firm*—Fehr Law Firm; Thompson E. Fehr

(57) **CLAIM**

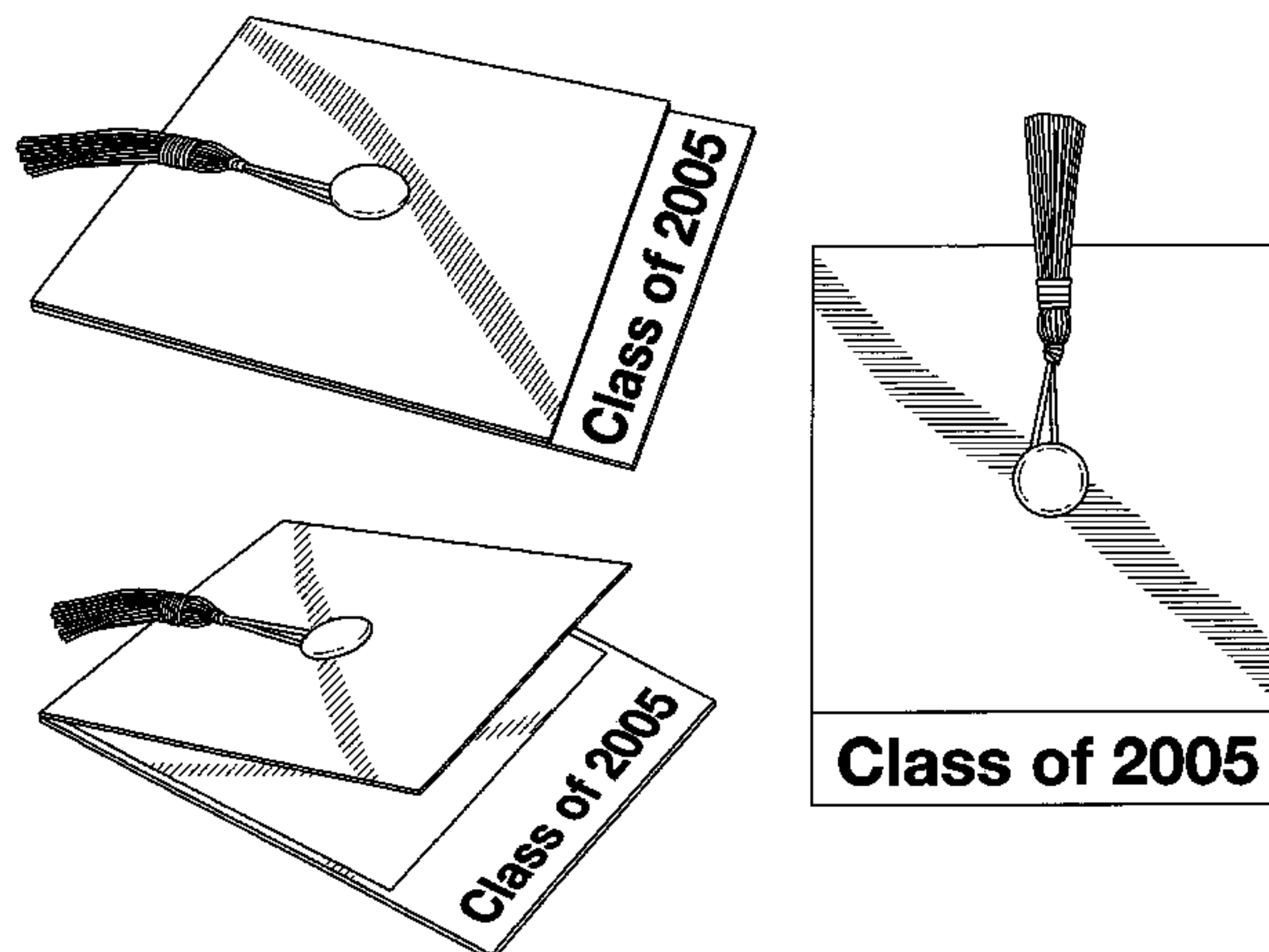
I claim the ornamental design for a graduation memorabilia book, as shown and described.

DESCRIPTION

FIG. 1 is a perspective view of one embodiment from above the closed graduation memorabilia book;

FIG. 2 is a plan view of the top of FIG. 1;
 FIG. 3 is a plan view of the bottom of FIG. 1;
 FIG. 4 is a lateral view of a first side of FIG. 1;
 FIG. 5 is a lateral view of a second side of FIG. 1;
 FIG. 6 is a lateral view of a third side of FIG. 1;
 FIG. 7 is a lateral view of a fourth side of FIG. 1;
 FIG. 8 is a perspective view of FIG. 1 with the graduation memorabilia book partially open;
 FIG. 9 is a plan view from above the fully opened embodiment of FIG. 1;
 FIG. 10 is a perspective view of a second embodiment from above, having a pocket on the inside of one of the two pages;
 FIG. 11 is a plan view of the top of FIG. 10;
 FIG. 12 is a plan view of the bottom of FIG. 10;
 FIG. 13 is a lateral view of a first side of FIG. 10;
 FIG. 14 is a lateral view of a second side of FIG. 10;
 FIG. 15 is a lateral view of a third side of FIG. 10;
 FIG. 16 is a lateral view of a fourth side of FIG. 10;
 FIG. 17 is a perspective view of FIG. 10 with the graduation memorabilia book partially open;
 FIG. 18 is a plan view from above the fully opened embodiment of FIG. 10;
 FIG. 19 is a perspective view of a third embodiment from above;
 FIG. 20 is a plan view of the top of FIG. 19;
 FIG. 21 is a plan view of the bottom of FIG. 19;
 FIG. 22 is a lateral view of a first side of FIG. 19;
 FIG. 23 is a lateral view of a second side of FIG. 19;
 FIG. 24 is a lateral view of a third side of FIG. 19;
 FIG. 25 is a lateral view of a fourth side of FIG. 19;
 FIG. 26 is a perspective view of FIG. 19 with the graduation memorabilia book partially open; and,
 FIG. 27 is a plan view from above the fully opened embodiment of FIG. 19.

1 Claim, 15 Drawing Sheets



US D571,857 S

Page 2

U.S. PATENT DOCUMENTS

D429,761 S *	8/2000	Ward	D19/31	D522,576 S *	6/2006	Smith	D19/33
D431,107 S *	9/2000	Palazzo	D3/271.5	2007/0033705 A1 *	2/2007	Dickson et al.	2/175.6
D463,662 S *	10/2002	Leiden et al.	D3/271.5	* cited by examiner			

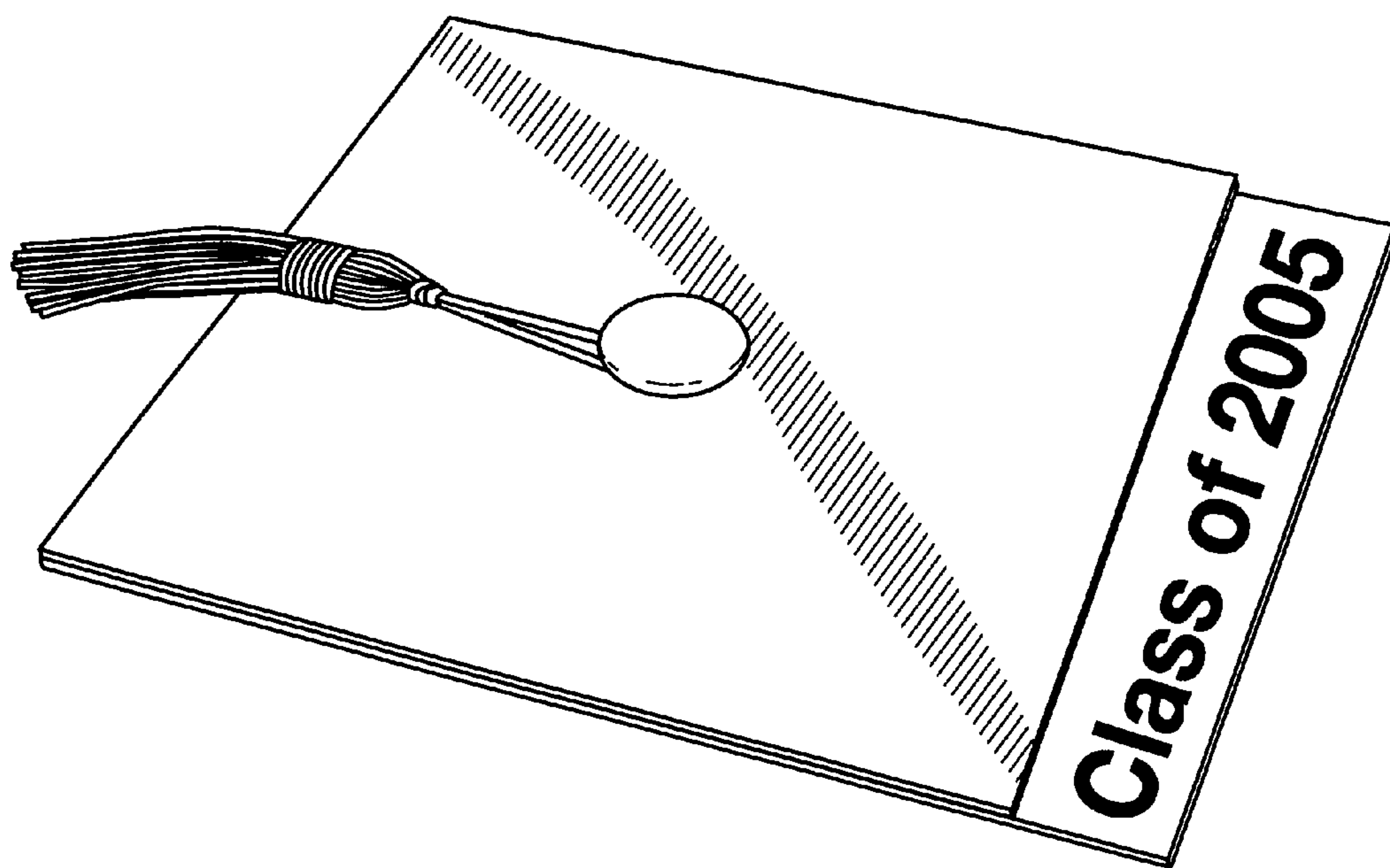


FIG. 1

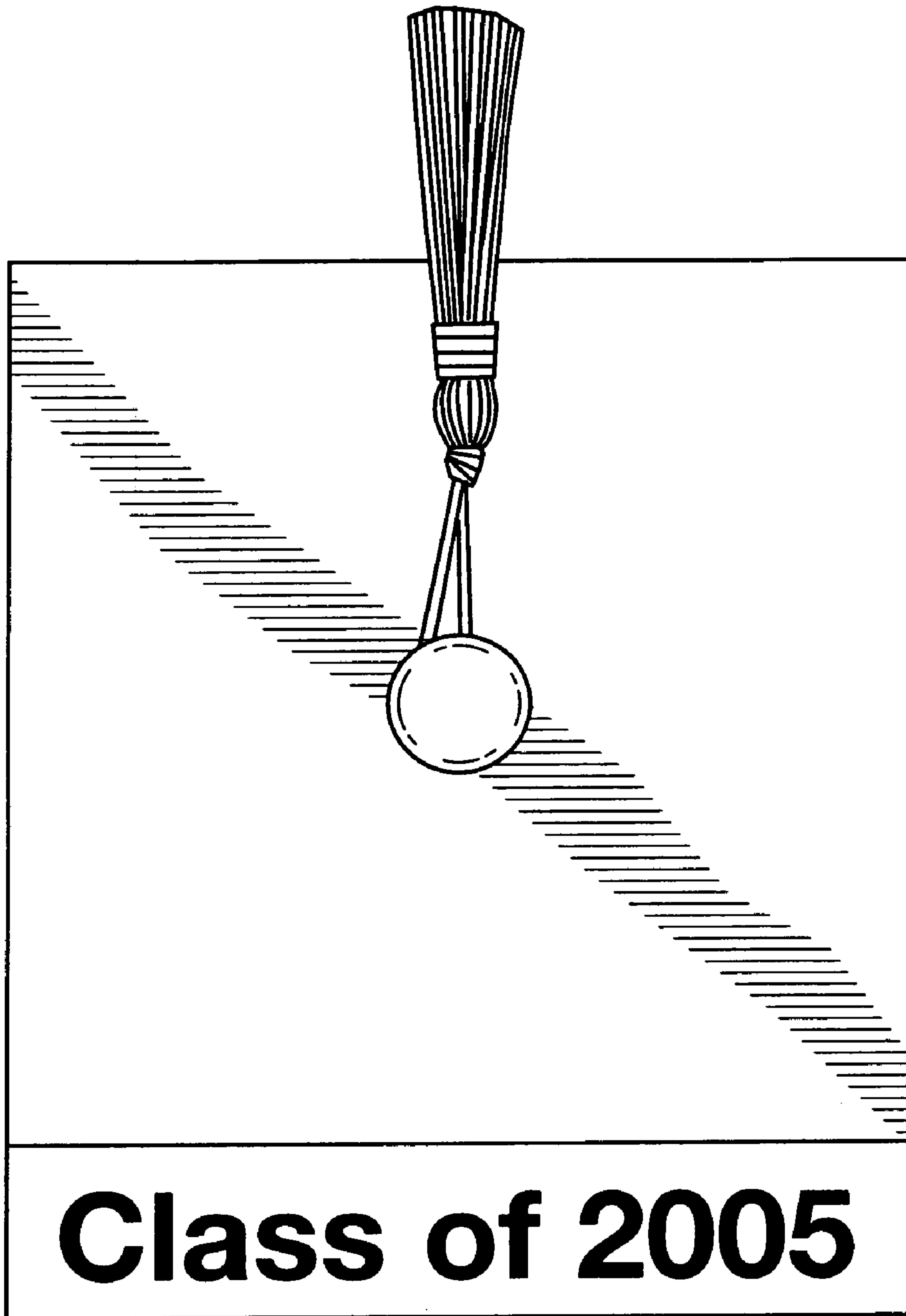


FIG. 2

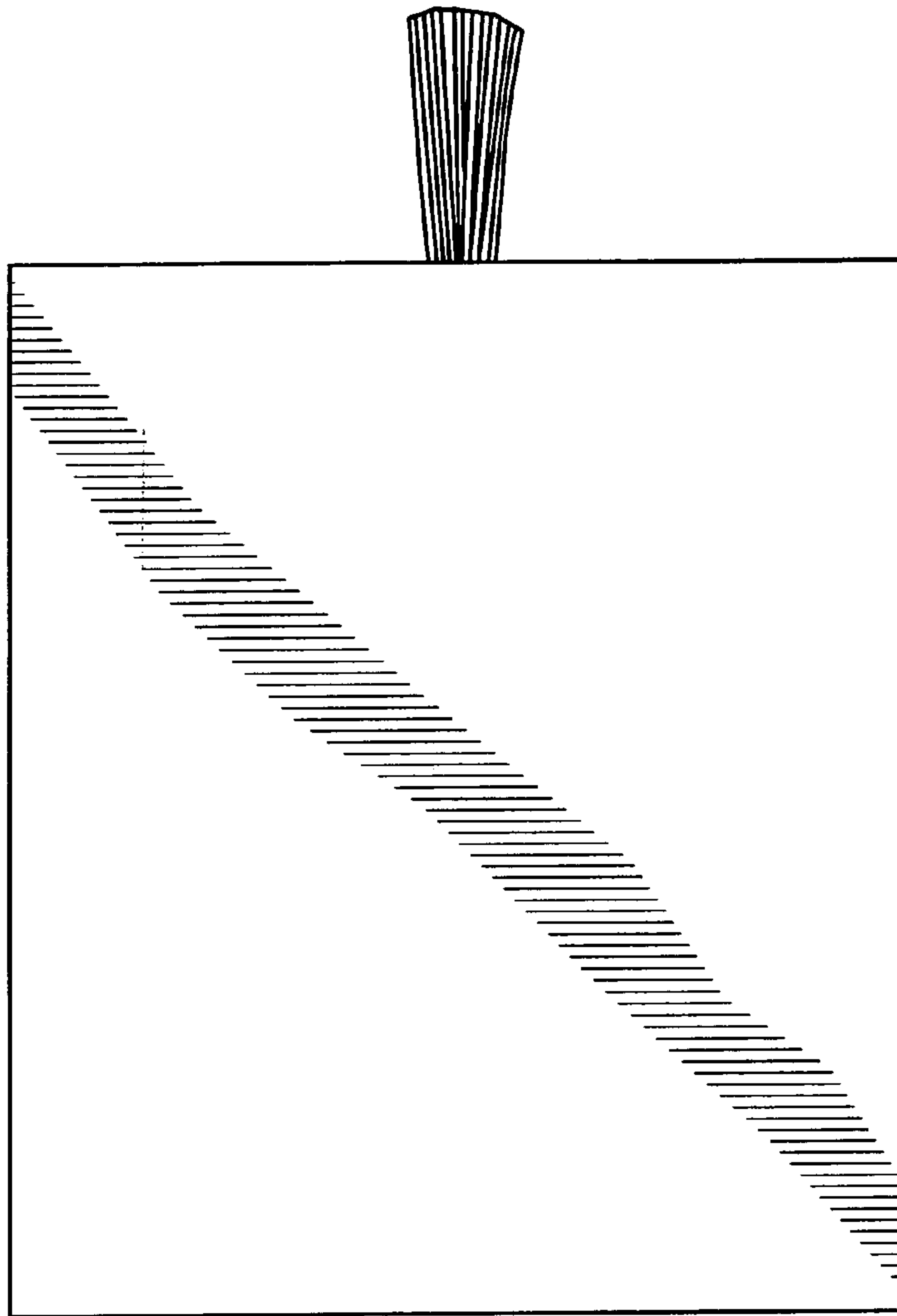


FIG. 3



FIG. 4



FIG. 5



FIG. 6

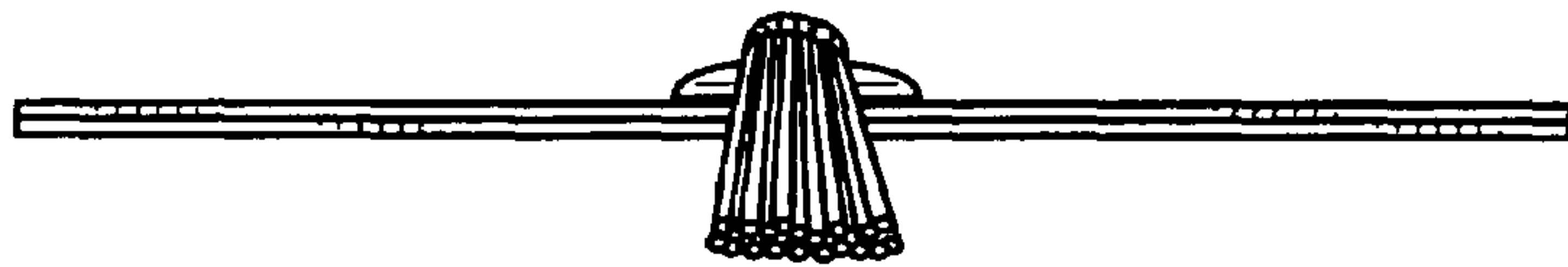


FIG. 7

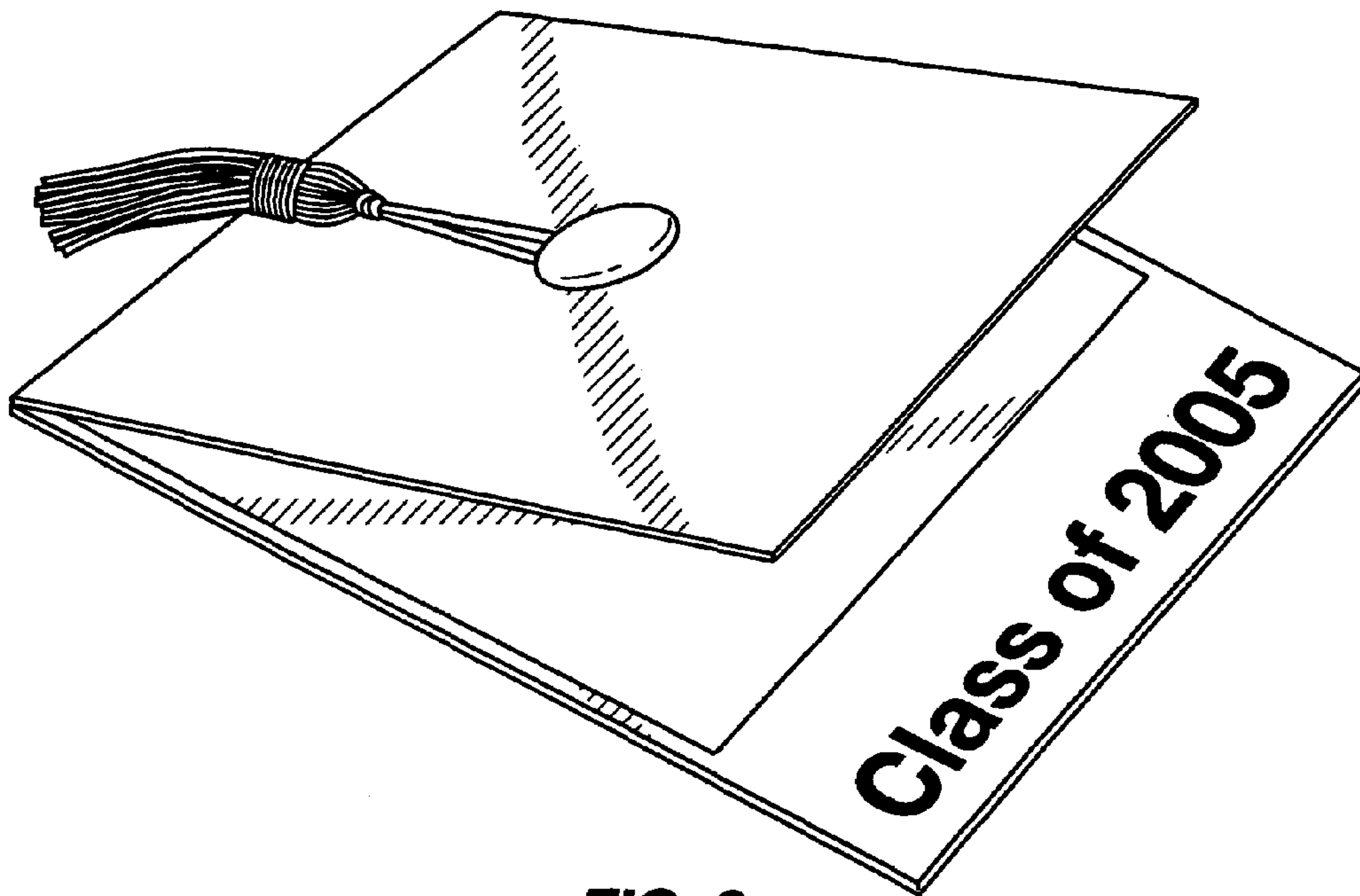
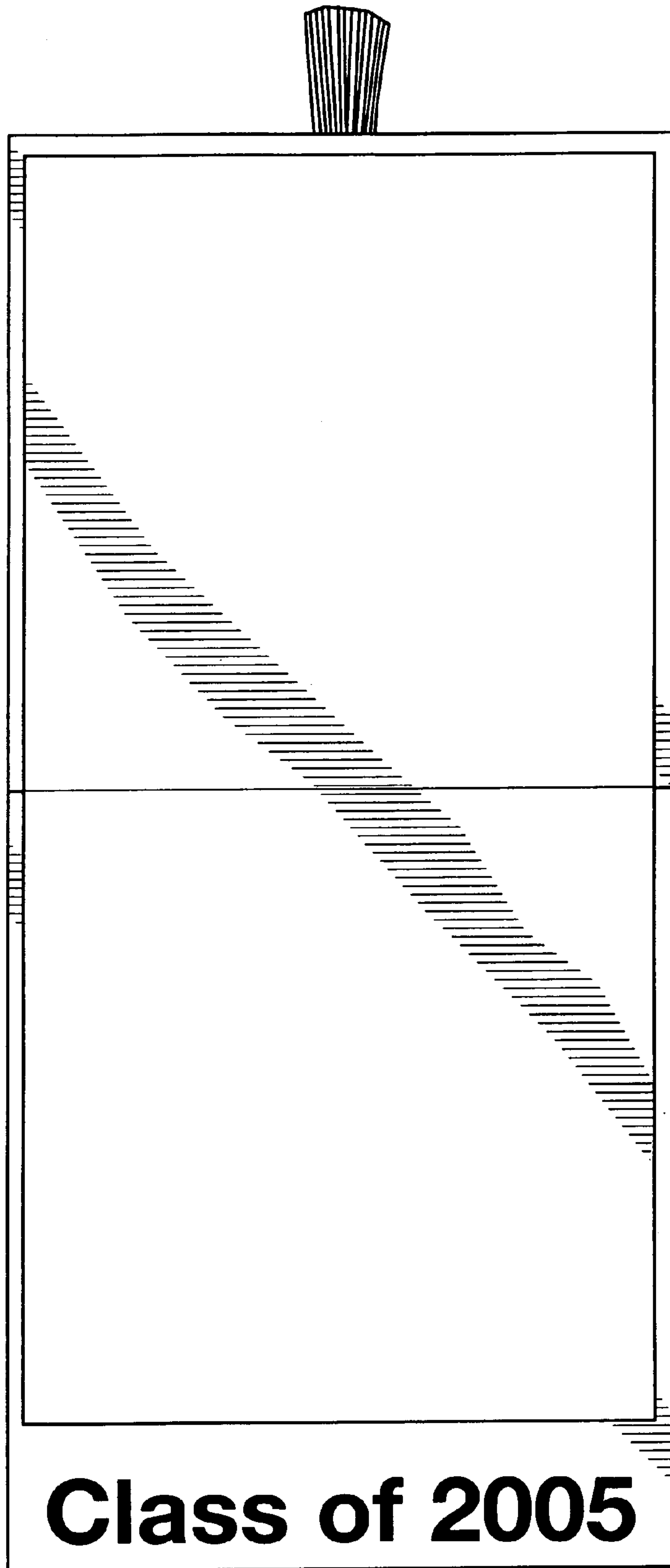


FIG. 8



Class of 2005

FIG. 9

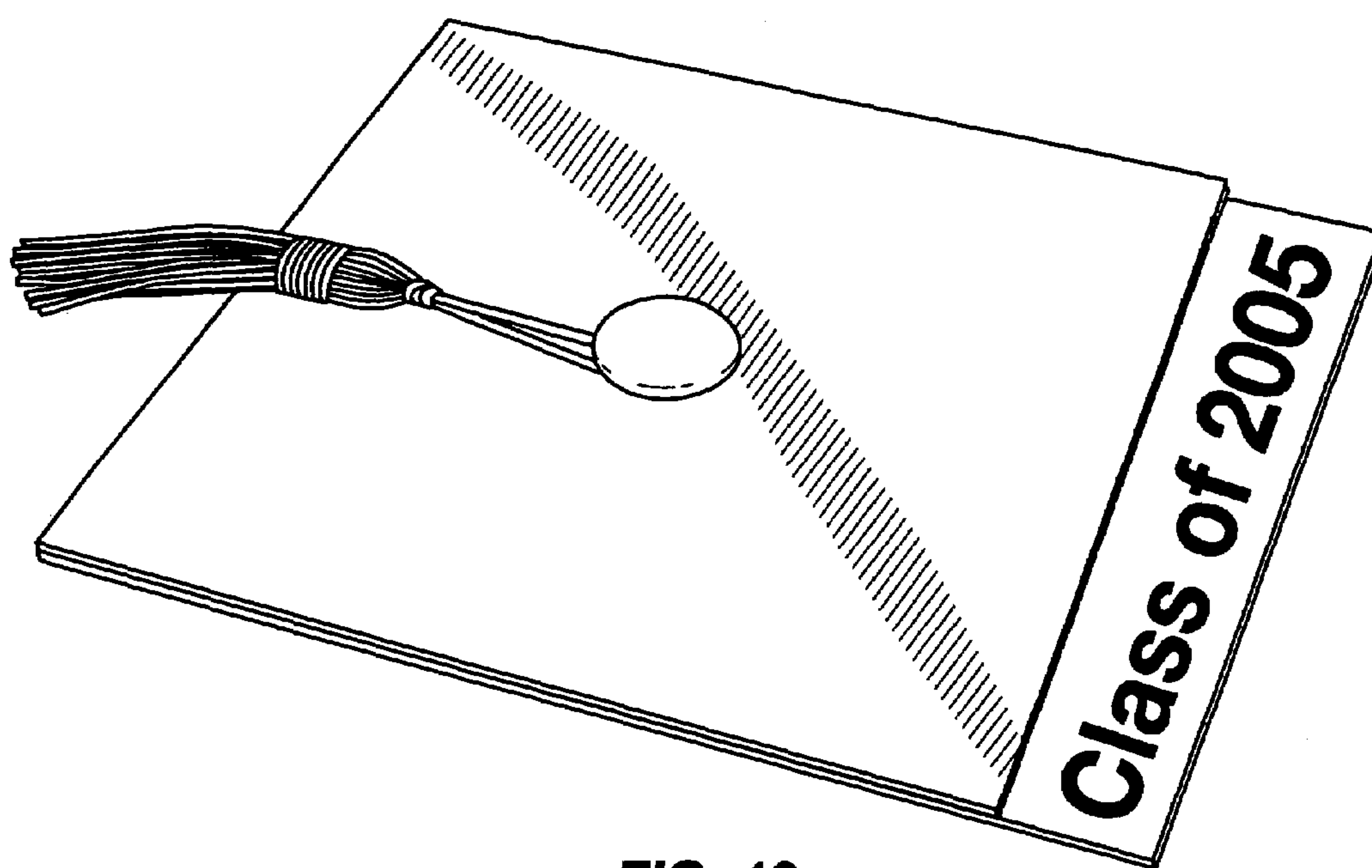


FIG. 10

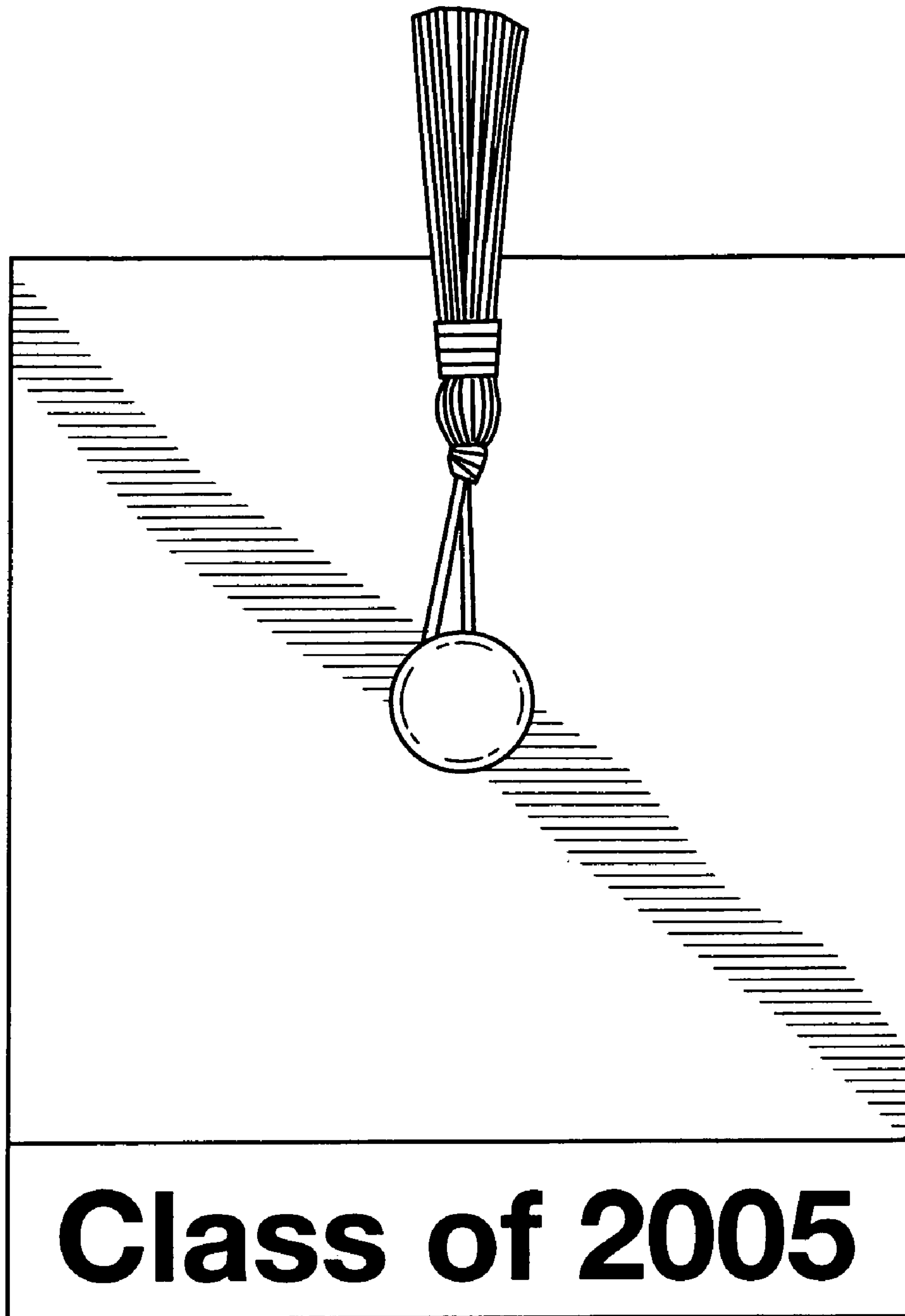


FIG. 11

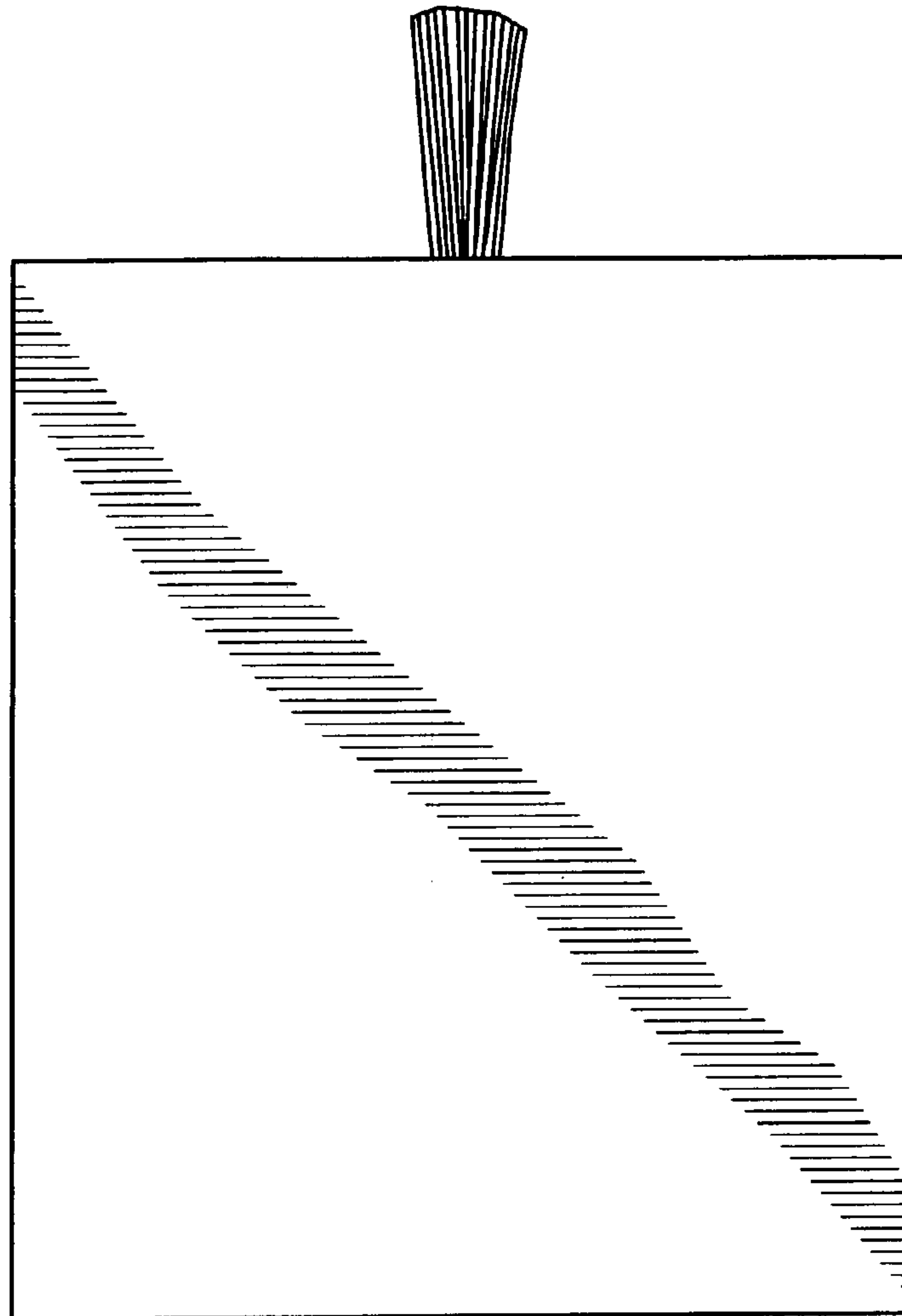


FIG. 12



FIG. 13



FIG. 14



FIG. 15

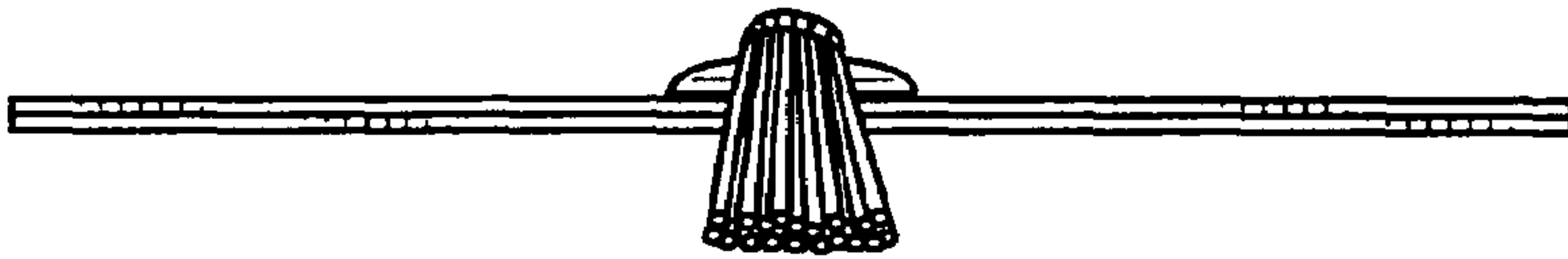


FIG. 16

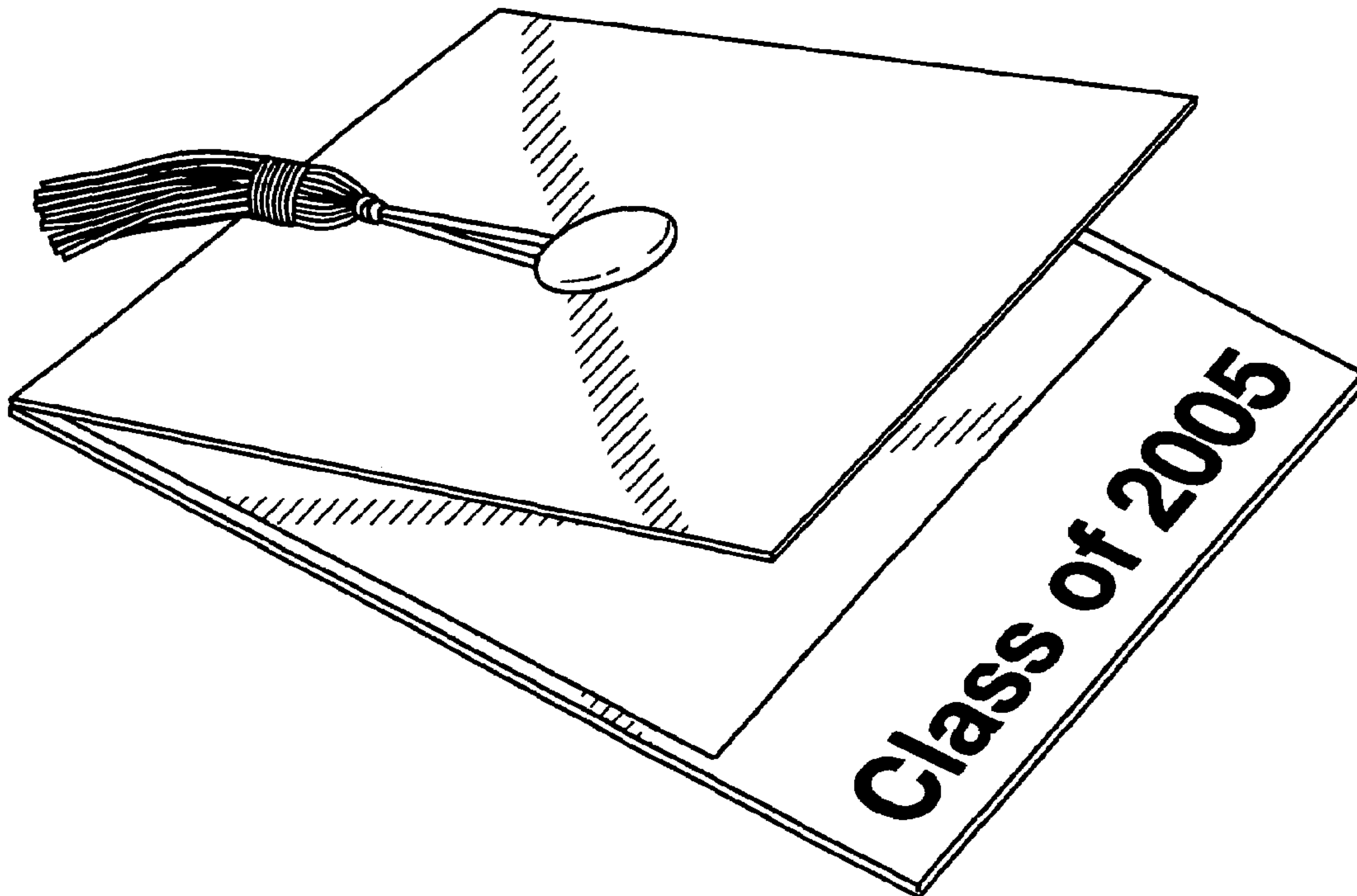


FIG. 17

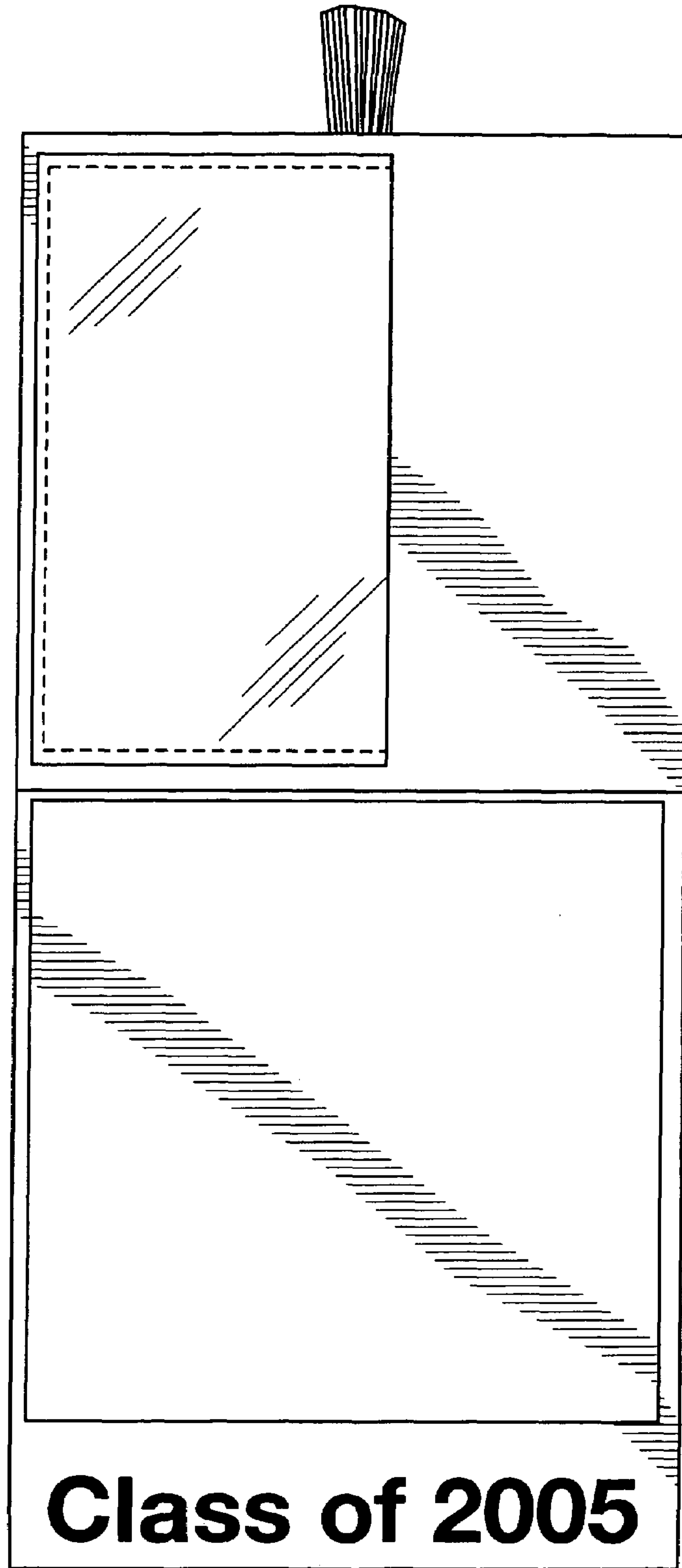


FIG. 18

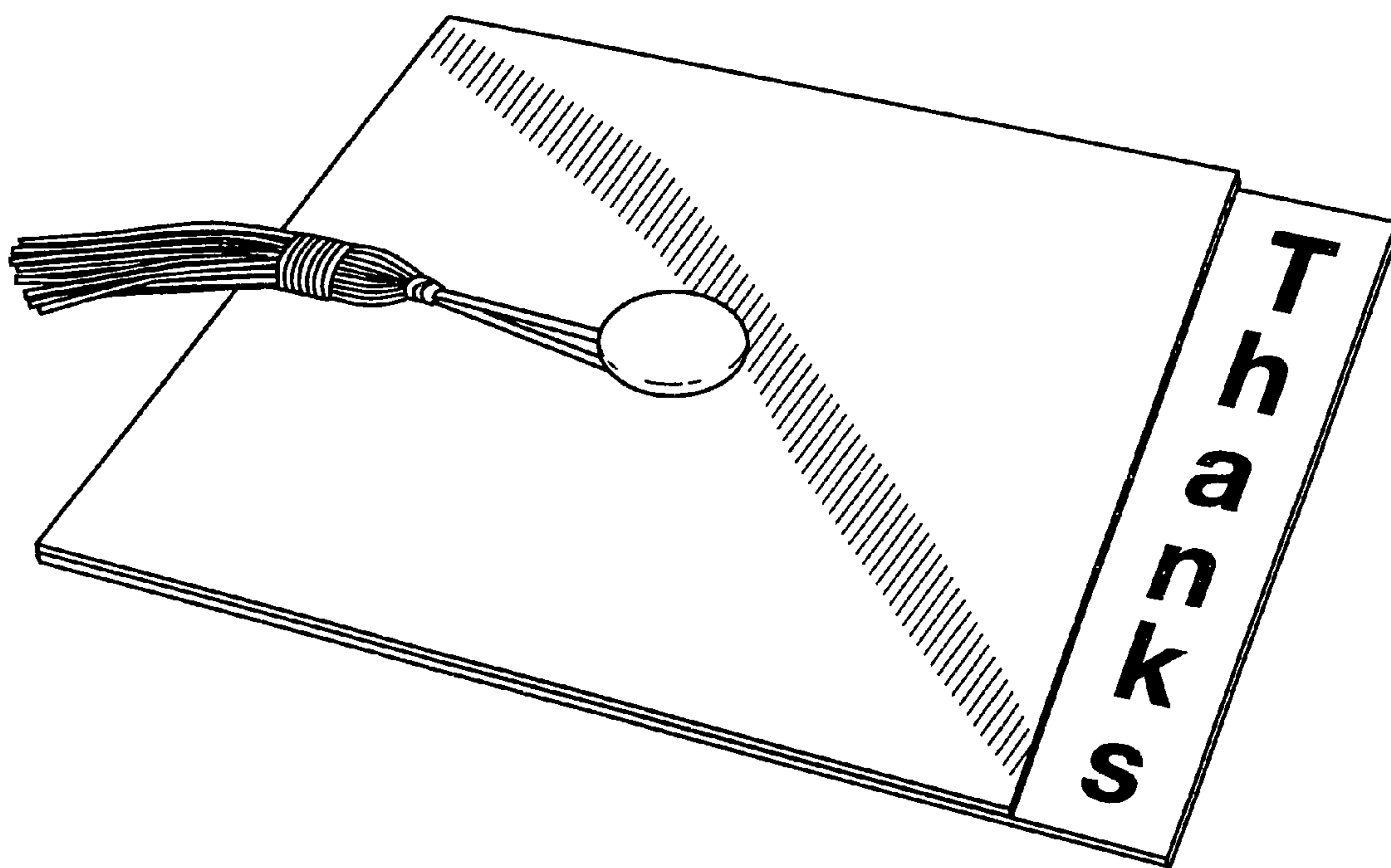


FIG. 19

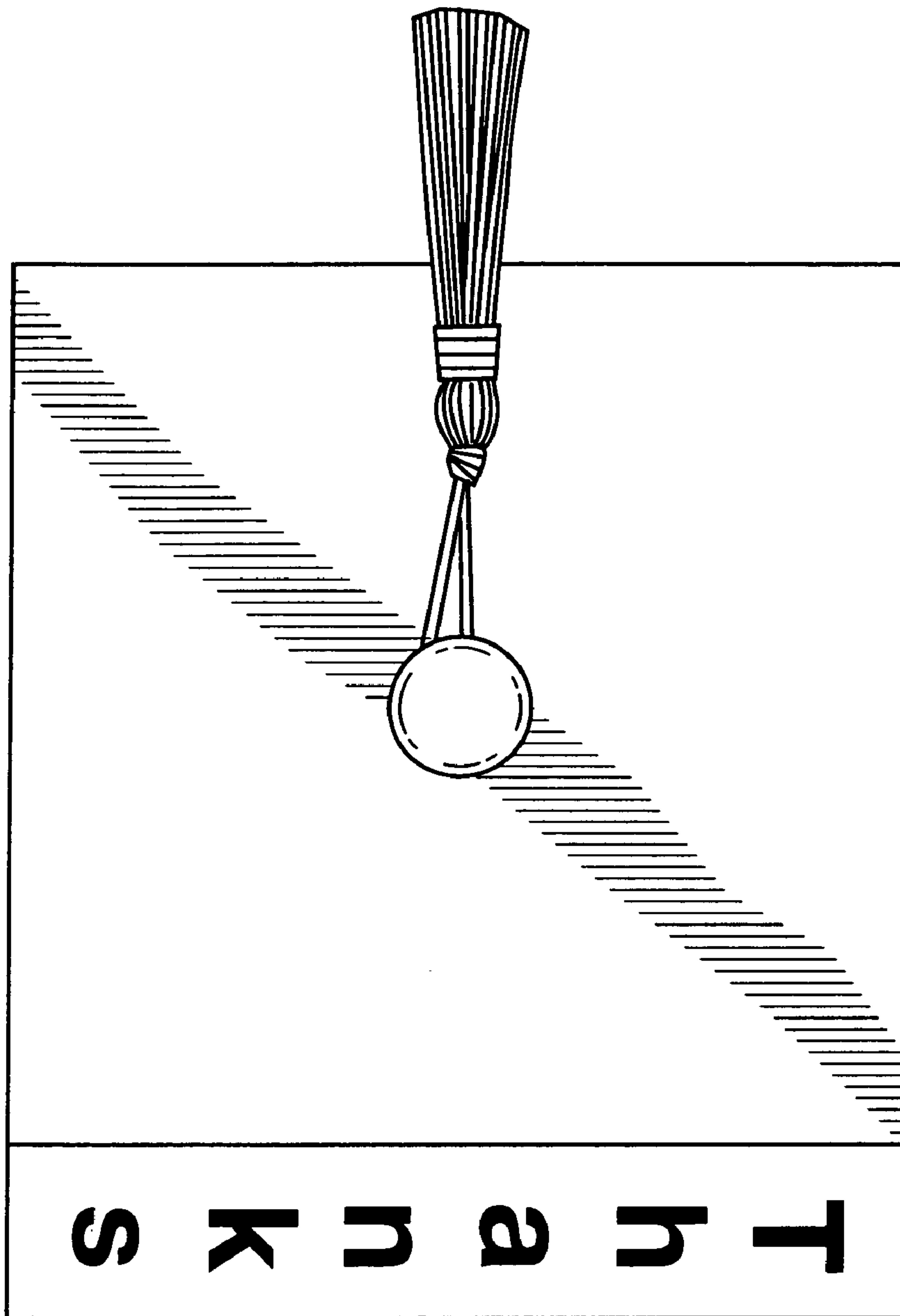


FIG. 20

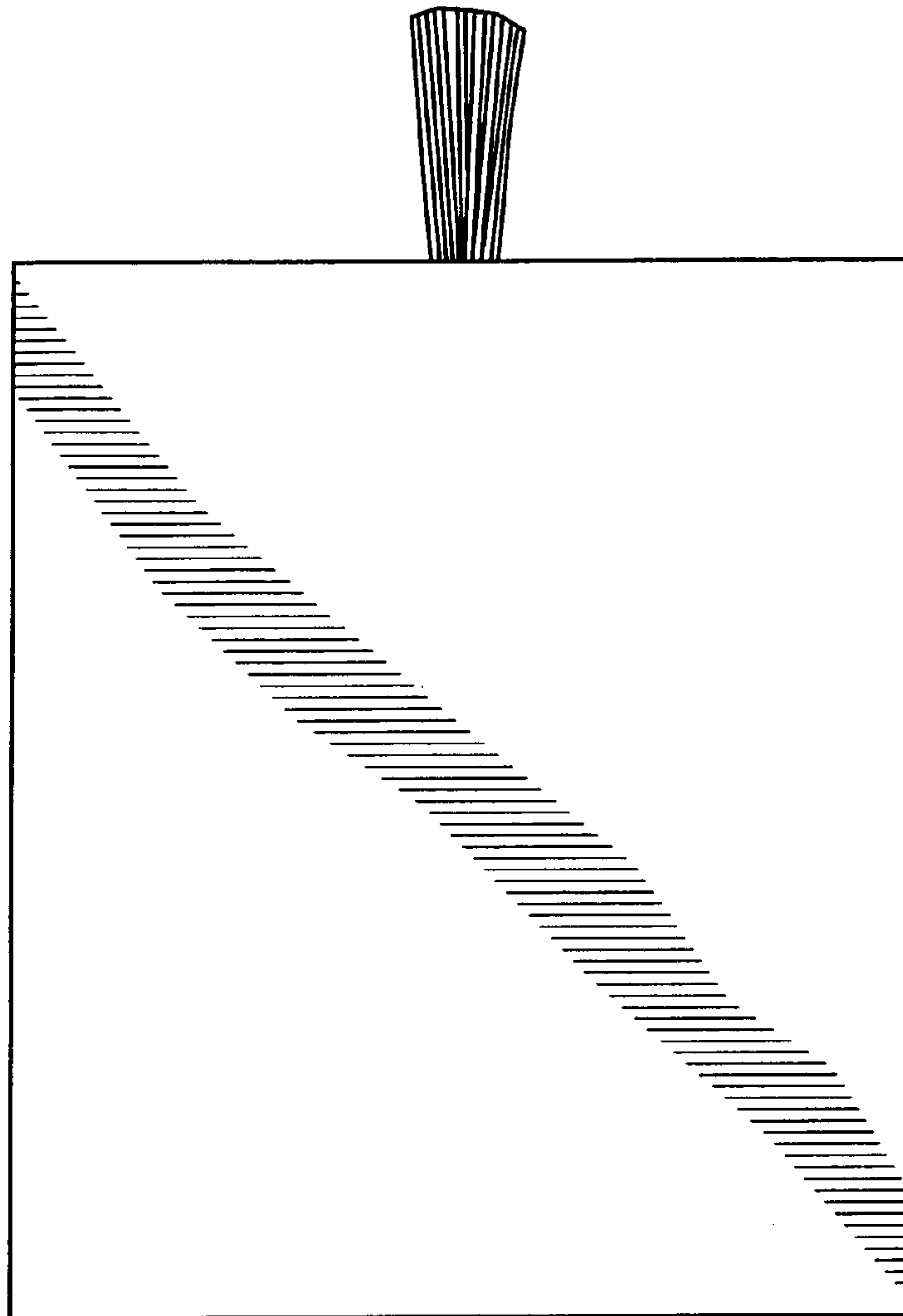


FIG. 21



FIG. 22



FIG. 23

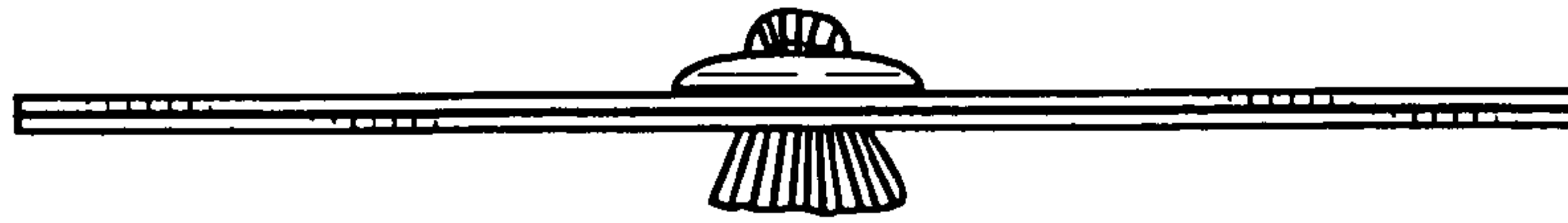


FIG. 24

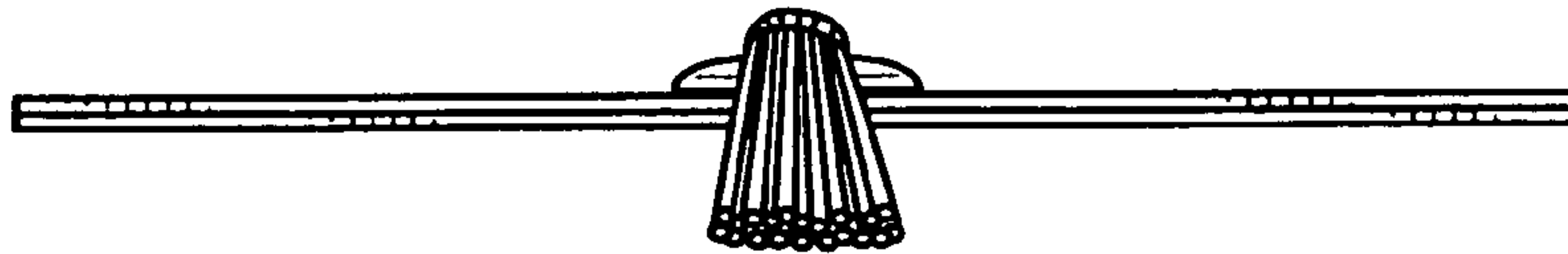


FIG. 25

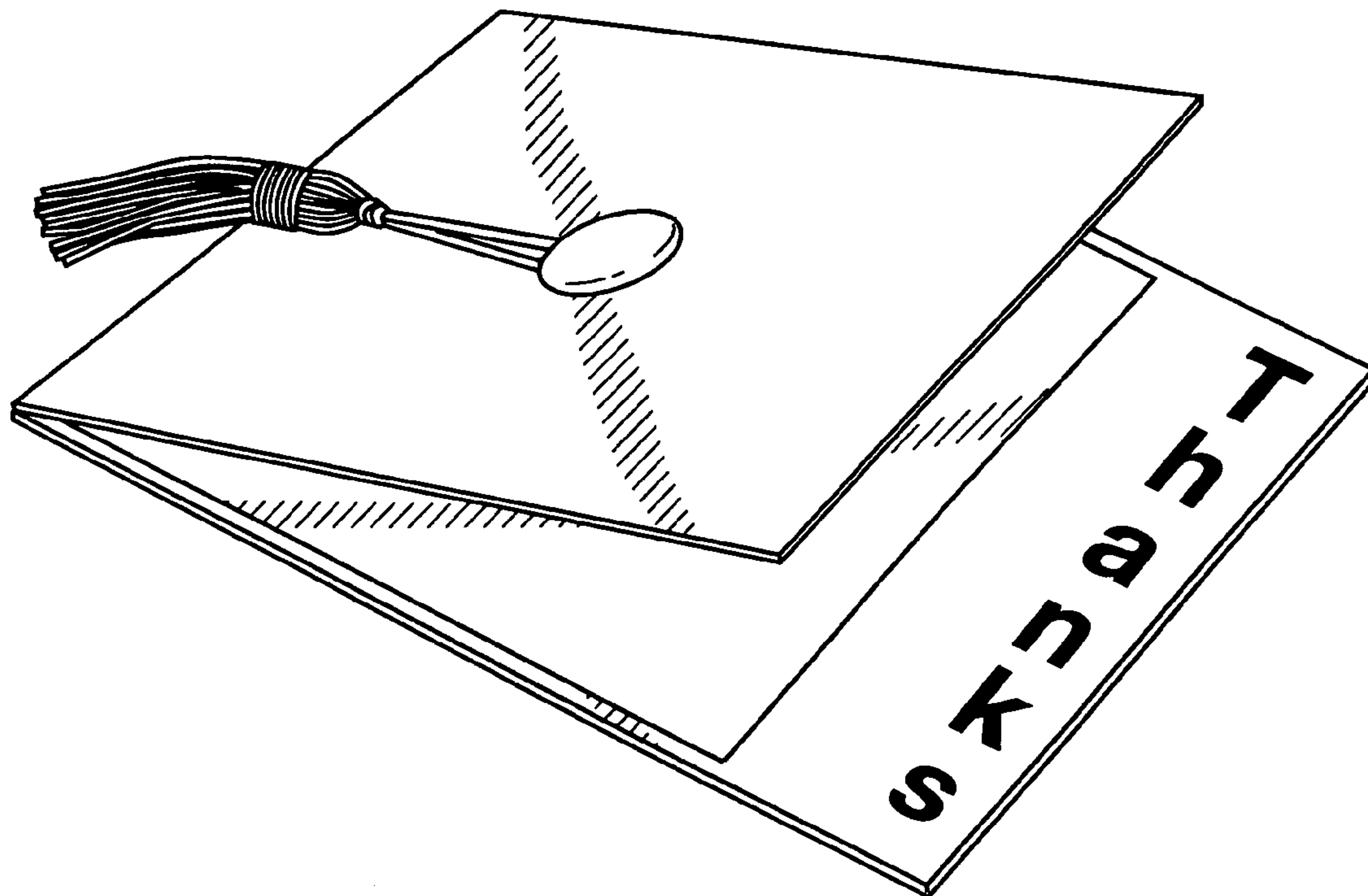


FIG. 26

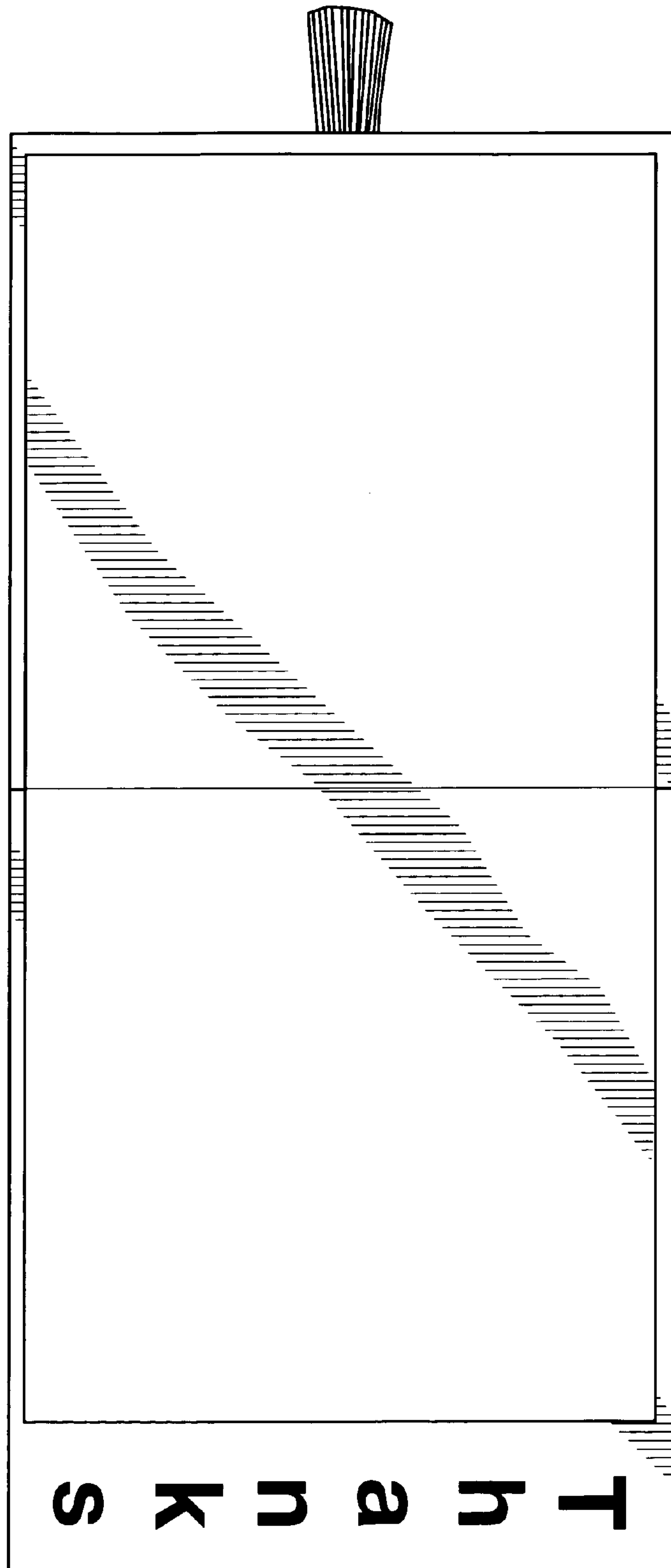


FIG. 27