



US00D571853S

(12) **United States Design Patent**
Horiuchi et al.

(10) **Patent No.:** **US D571,853 S**
(45) **Date of Patent:** **** Jun. 24, 2008**

(54) **PAPER CARTRIDGE FOR PRINTER**

(75) Inventors: **Takashi Horiuchi**, Kariya (JP);
Yasunori Nakamura, Shinshiro (JP);
Yoshikatsu Suito, Nagoya (JP)

(73) Assignee: **Brother Industries, Ltd.**, Nagoya (JP)

(**) Term: **14 Years**

(21) Appl. No.: **29/274,947**

(22) Filed: **Jun. 12, 2007**

(30) **Foreign Application Priority Data**

Jan. 26, 2007 (JP) 2007-001543

(51) **LOC (8) Cl.** **18-02**

(52) **U.S. Cl.** **D18/56**

(58) **Field of Classification Search** D18/40,
D18/43, 44, 56; 347/86-87; 206/449
See application file for complete search history.

(56) **References Cited**

U.S. PATENT DOCUMENTS

1,695,432	A *	12/1928	Lovejoy	229/125
3,188,542	A *	6/1965	Dietrich	318/681
4,185,745	A *	1/1980	Moser et al.	206/556
D258,066	S *	1/1981	DeGregorio	D18/44
6,217,019	B1 *	4/2001	Ishiduka et al.	271/147
6,227,732	B1 *	5/2001	Higuchi et al.	206/449
6,318,918	B1 *	11/2001	Sasaki et al.	400/624
D453,183	S *	1/2002	Shinano et al.	D18/56
D512,740	S *	12/2005	Nakamura et al.	D18/56
D542,340	S *	5/2007	Nakamura et al.	D18/56
7,281,873	B2 *	10/2007	Yamamoto et al.	206/449
2001/0011795	A1 *	8/2001	Ohtsuka et al.	271/145

* cited by examiner

Primary Examiner—Cathy Anne MacCormac
(74) *Attorney, Agent, or Firm*—Oliff & Berridge, PLC

(57) **CLAIM**

The ornamental design for a paper cartridge for printer, as shown and described.

DESCRIPTION

FIG. 1 is a reduced top perspective view of a paper cartridge for a printer with a lid in the closed position against the top of the cartridge;

FIG. 2 is a top view thereof;

FIG. 3 is a front view thereof;

FIG. 4 is a right-side view thereof;

FIG. 5 is a left-side view thereof;

FIG. 6 is a rear view thereof;

FIG. 7 is a bottom view thereof;

FIG. 8 is a reduced bottom perspective view thereof;

FIG. 9 is a reduced top view thereof in an unfolded position so the inside is visible;

FIG. 10 is a reduced top perspective view thereof with the lid in the folded condition against the bottom of the cartridge;

FIG. 11 is a top view of FIG. 10;

FIG. 12 is a front view of FIG. 10;

FIG. 13 is a right-side view of FIG. 10;

FIG. 14 is a left-side view of FIG. 10;

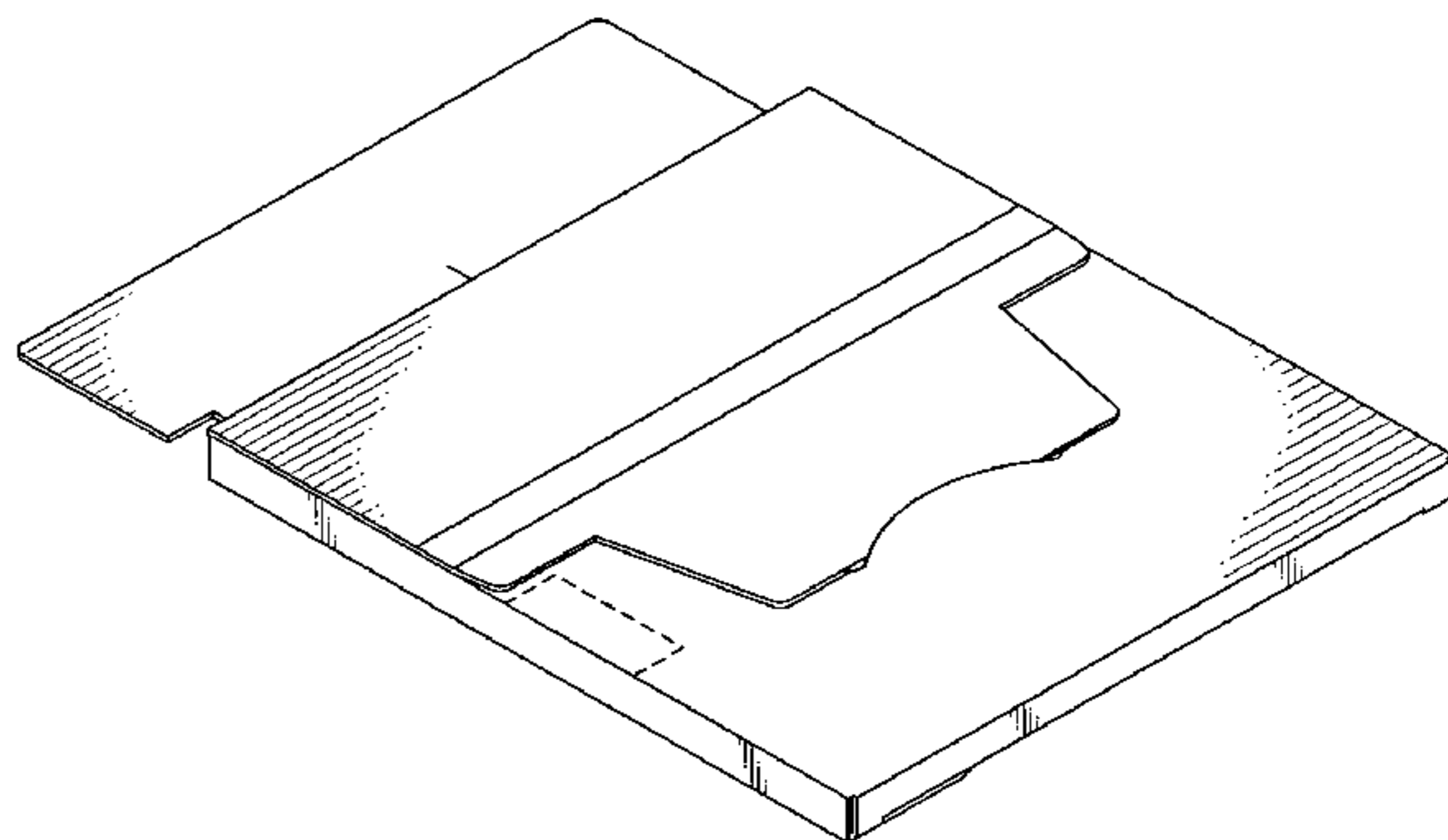
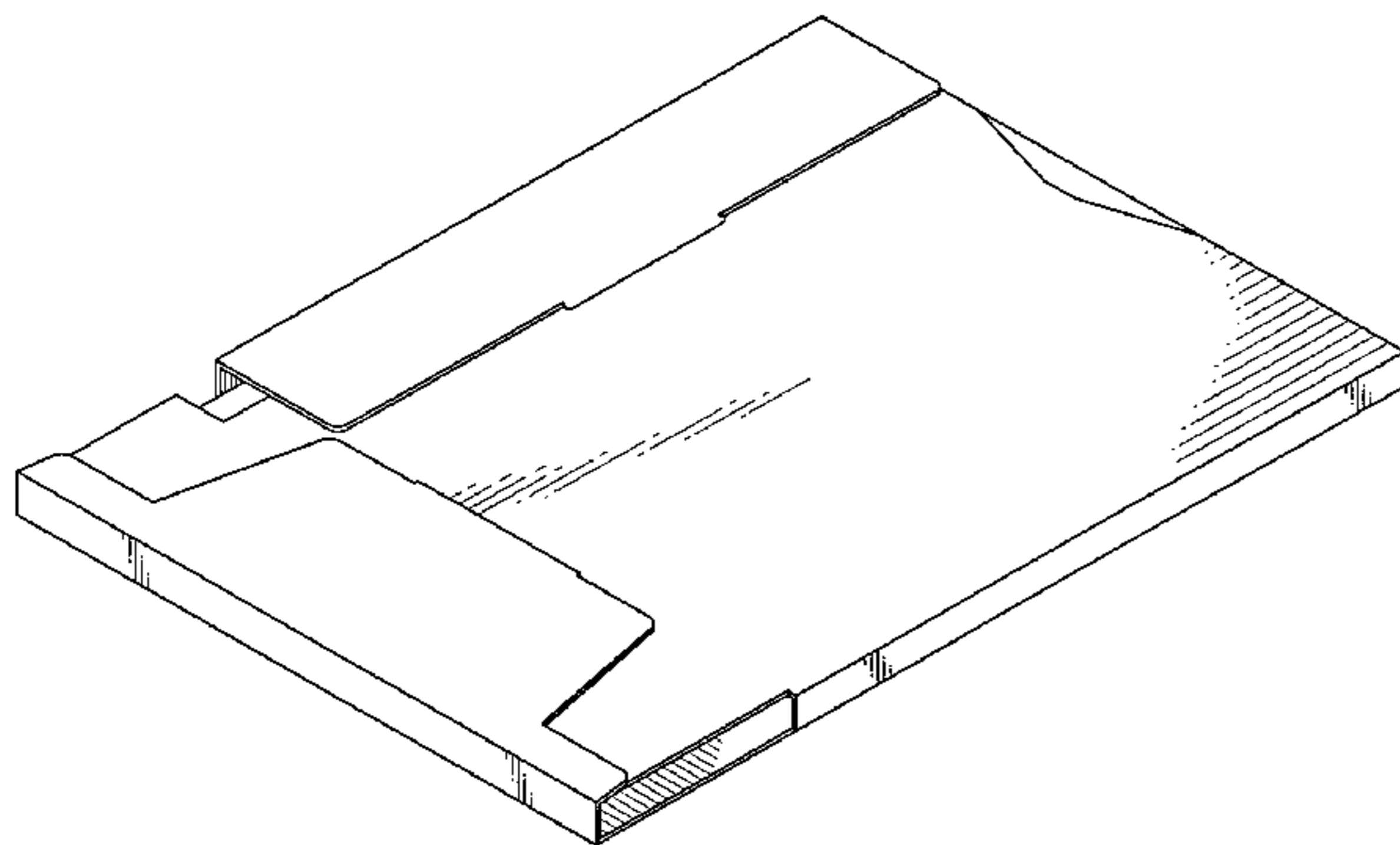
FIG. 15 is a rear view of FIG. 10;

FIG. 16 is a bottom view of FIG. 10; and,

FIG. 17 is a reduced bottom perspective view of FIG. 10.

The broken lines are for illustrative purposes only and form no part of the claimed design.

1 Claim, 11 Drawing Sheets



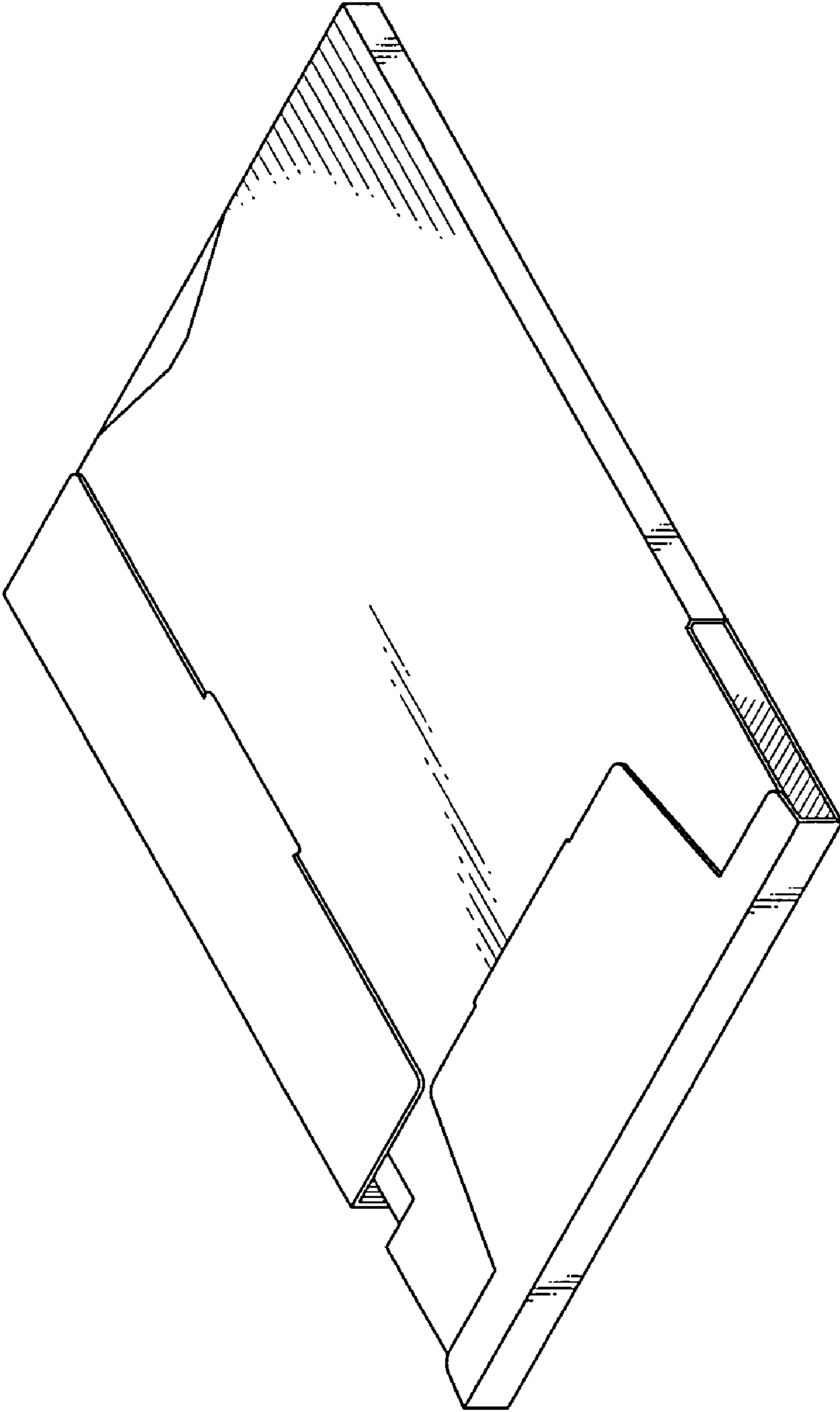


FIG. 1



FIG. 2

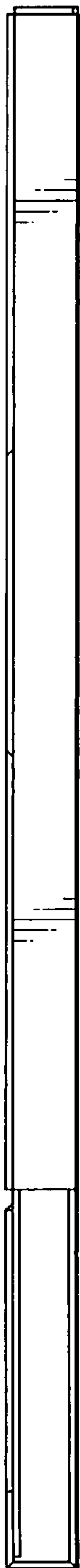


FIG. 3

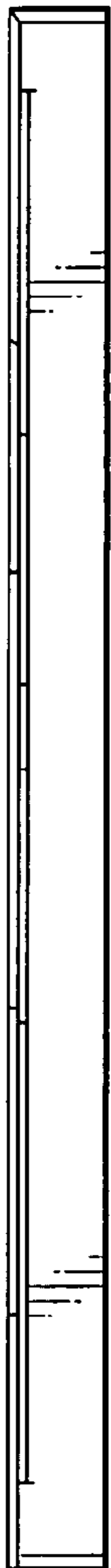


FIG. 4

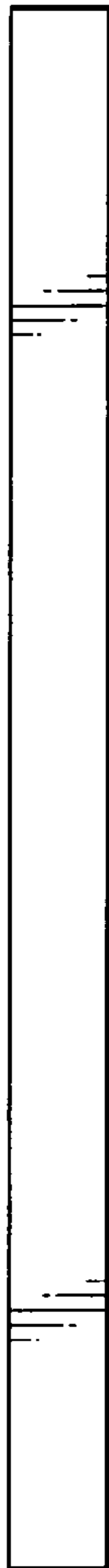


FIG. 5



FIG. 6

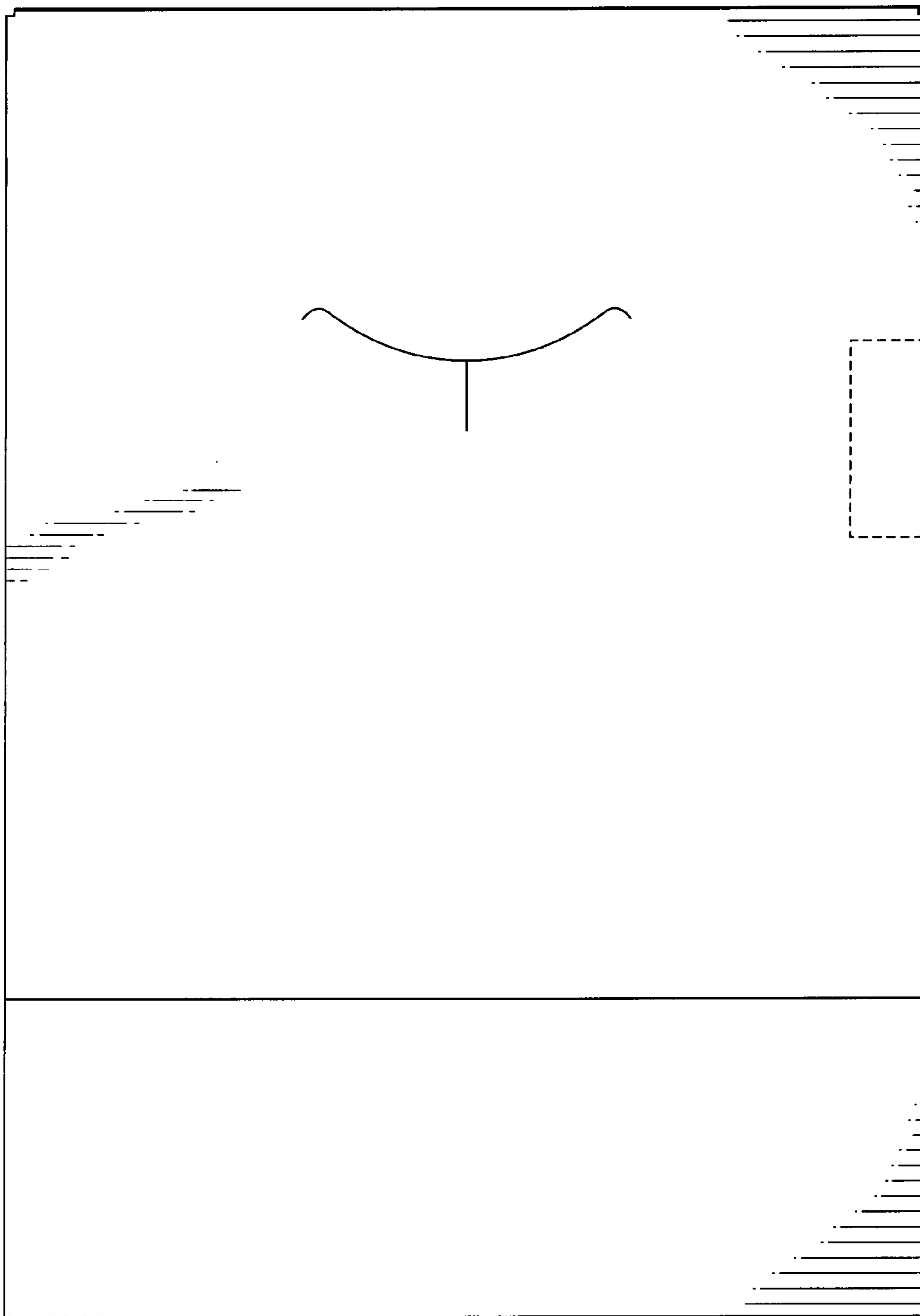


FIG. 7

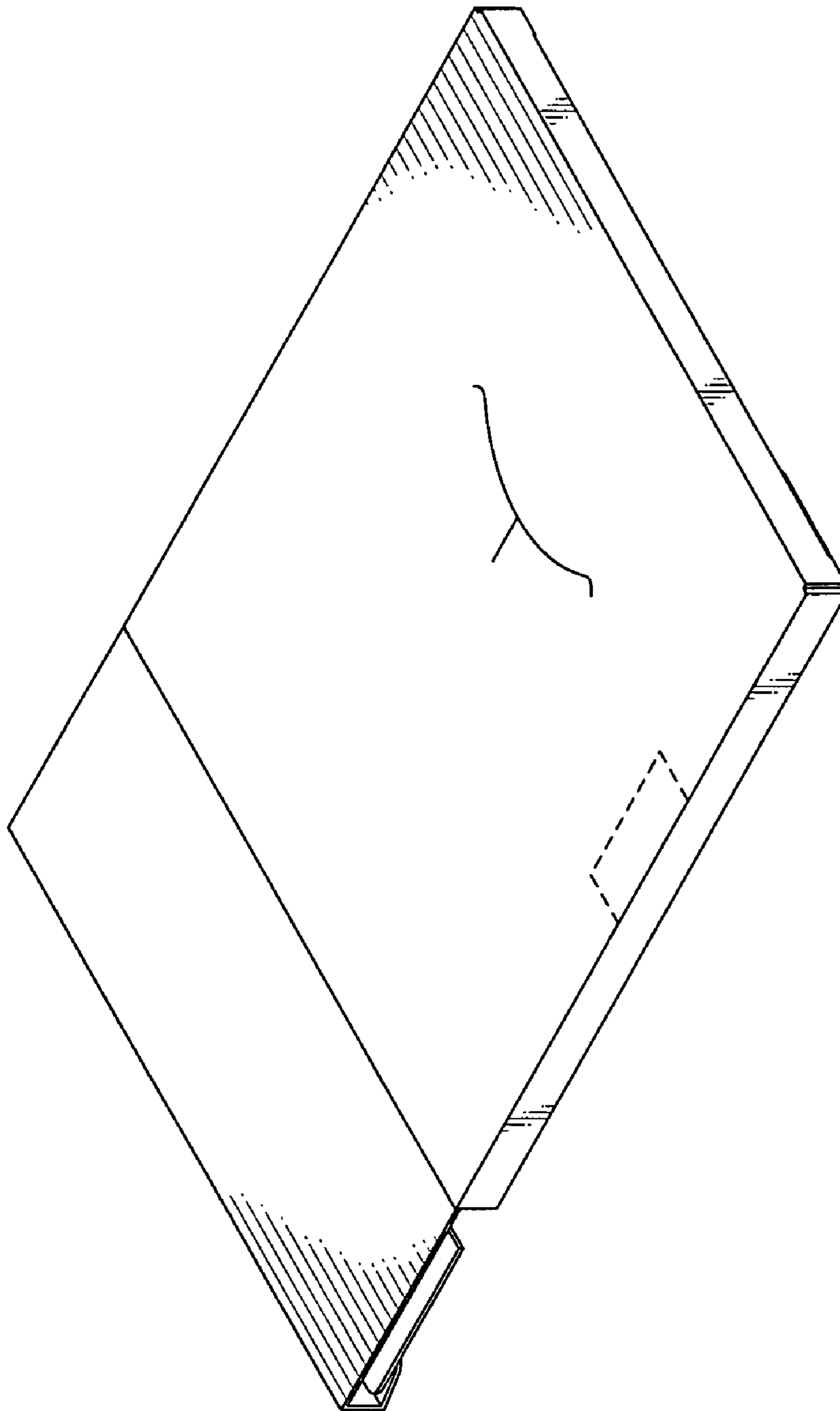


FIG. 8

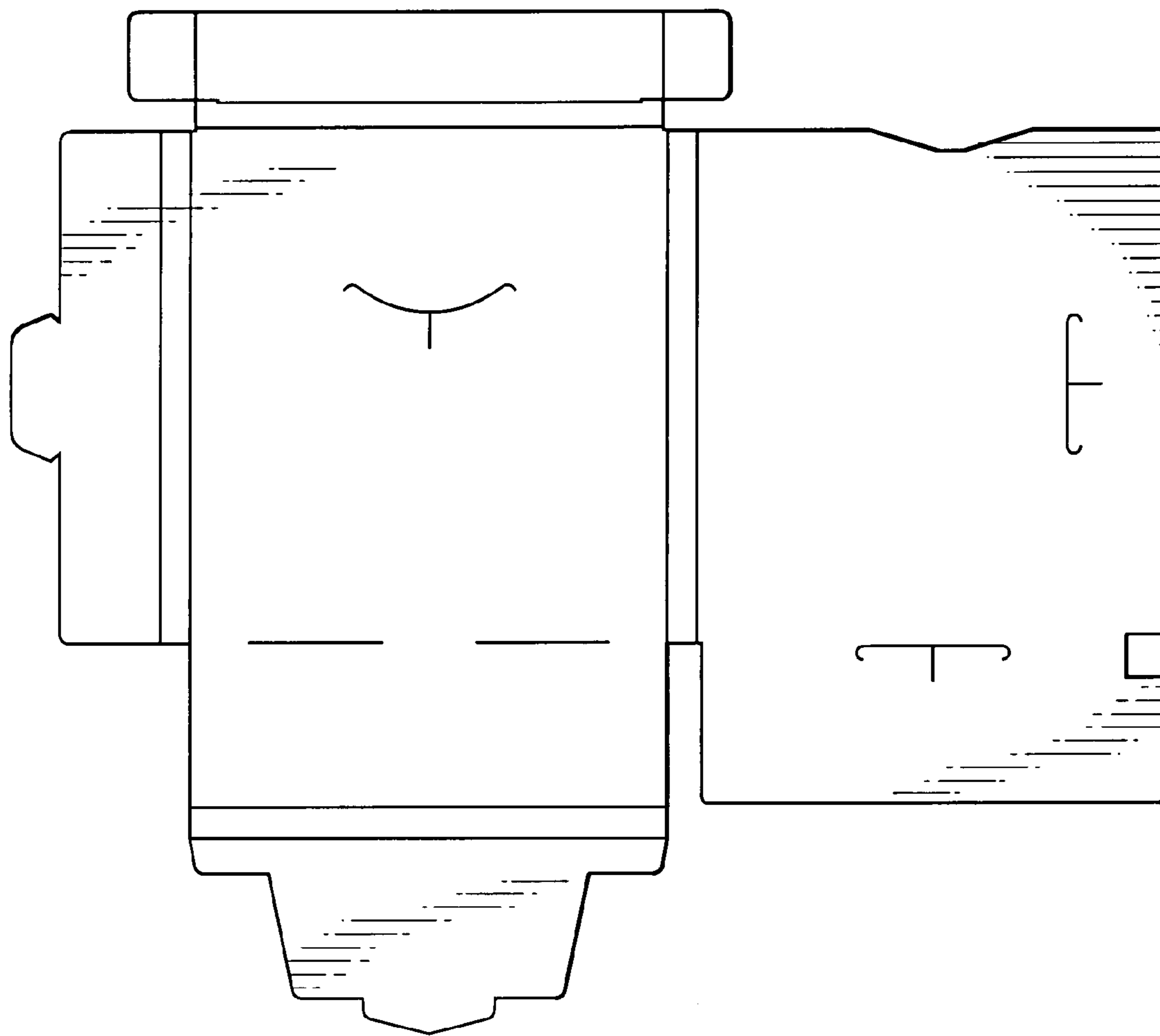


FIG. 9

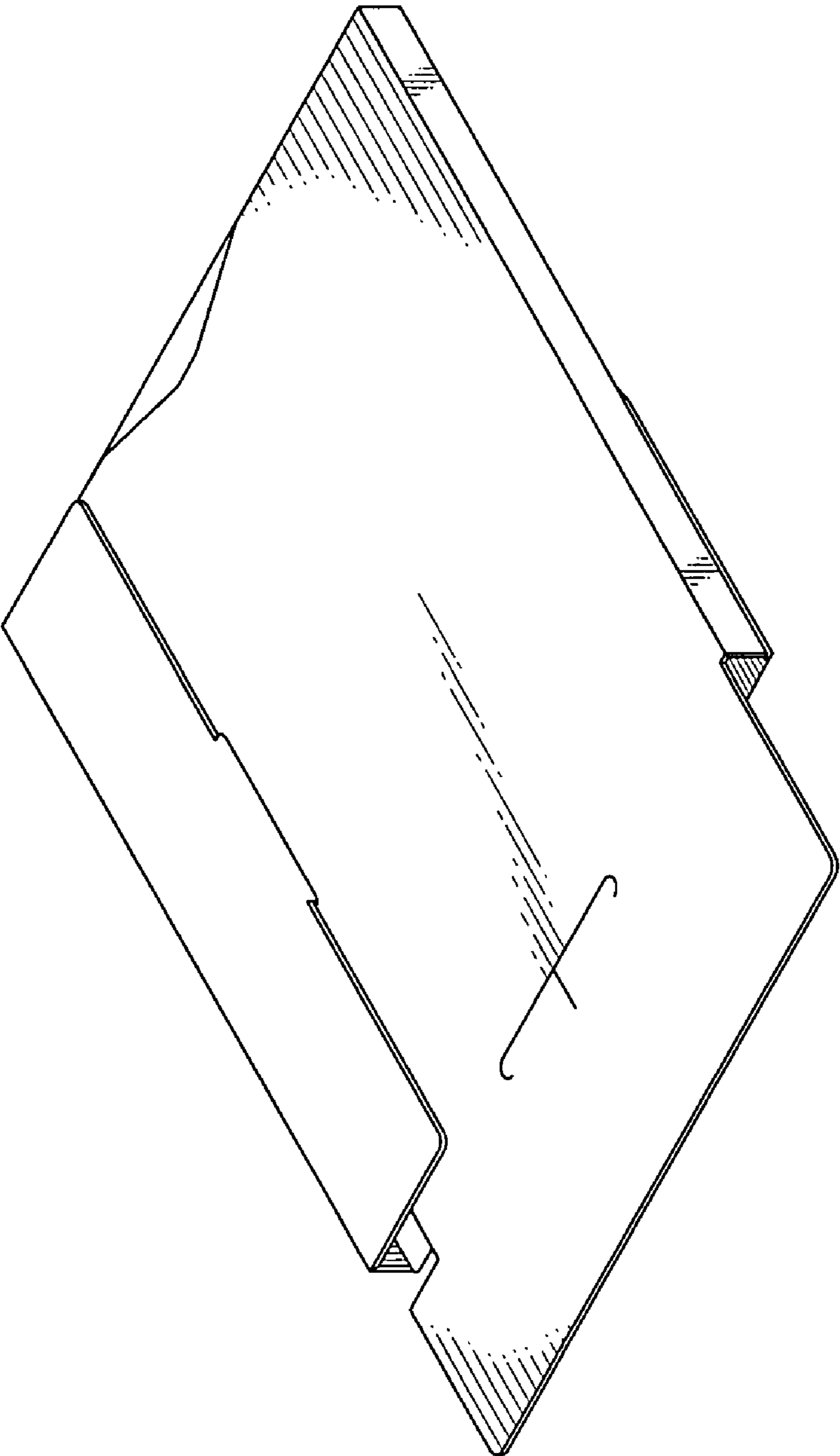


FIG. 10

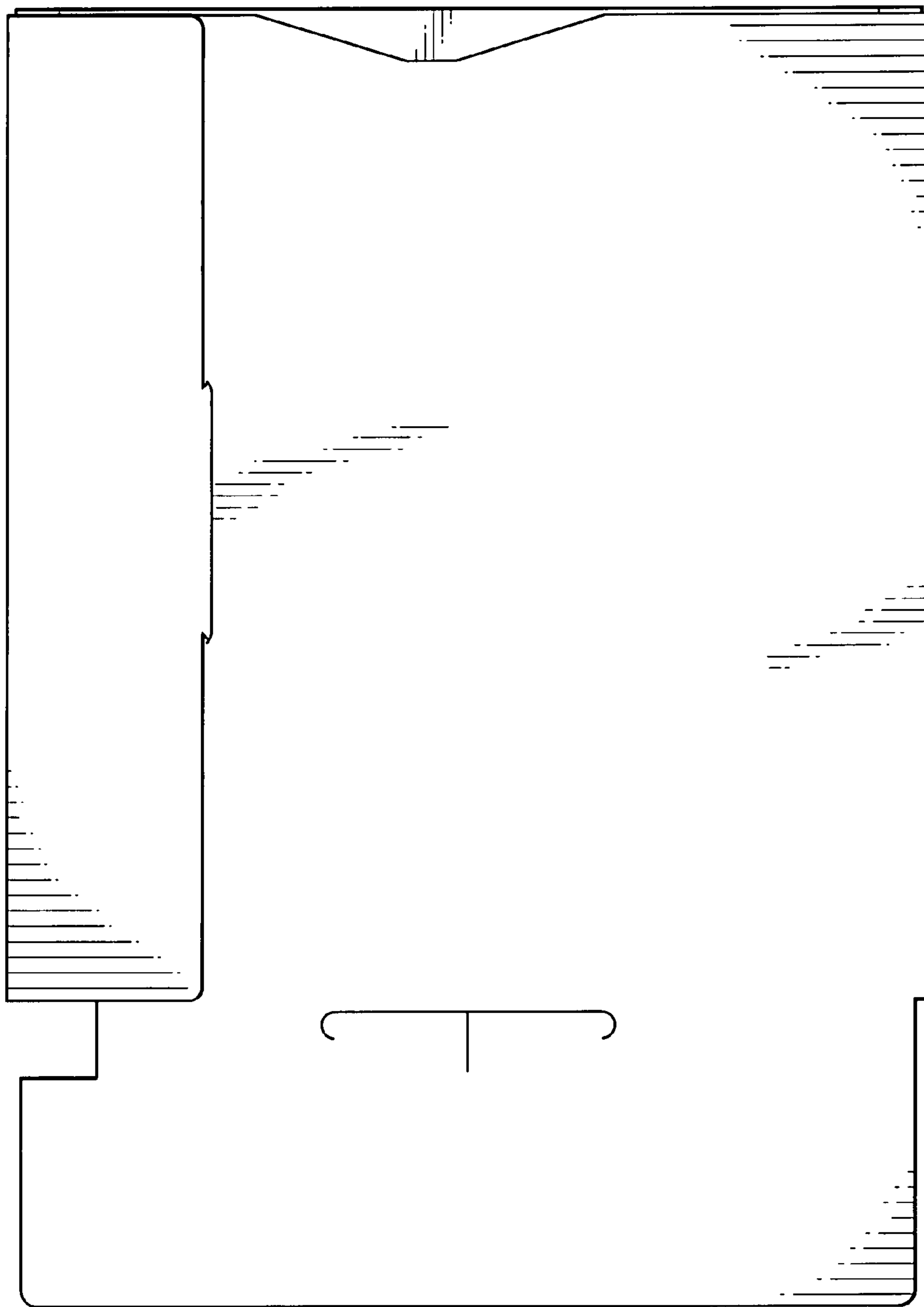


FIG. 11

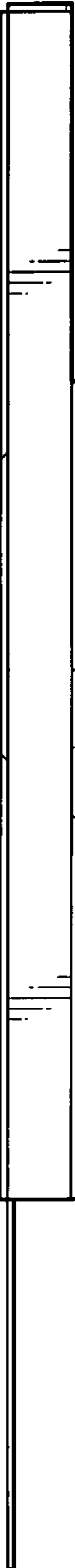


FIG. 12

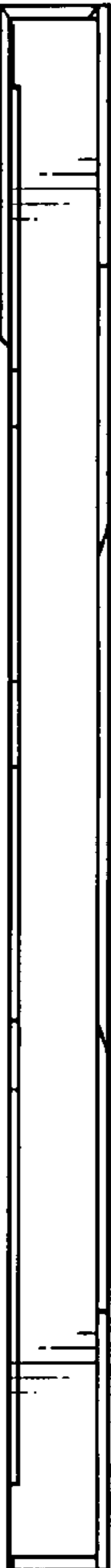


FIG. 13



FIG. 14

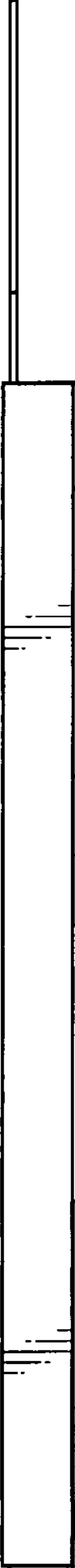


FIG. 15

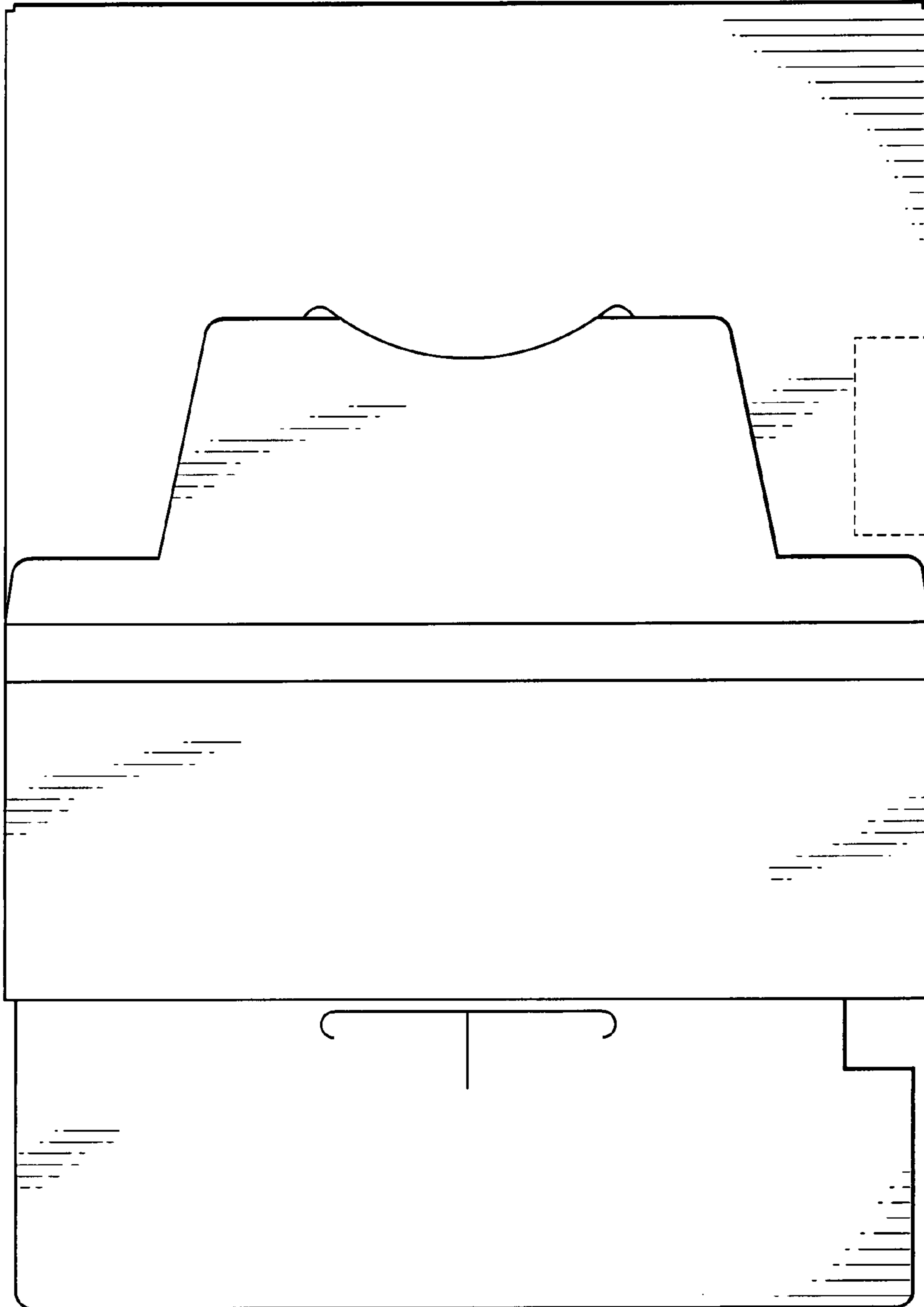


FIG. 16

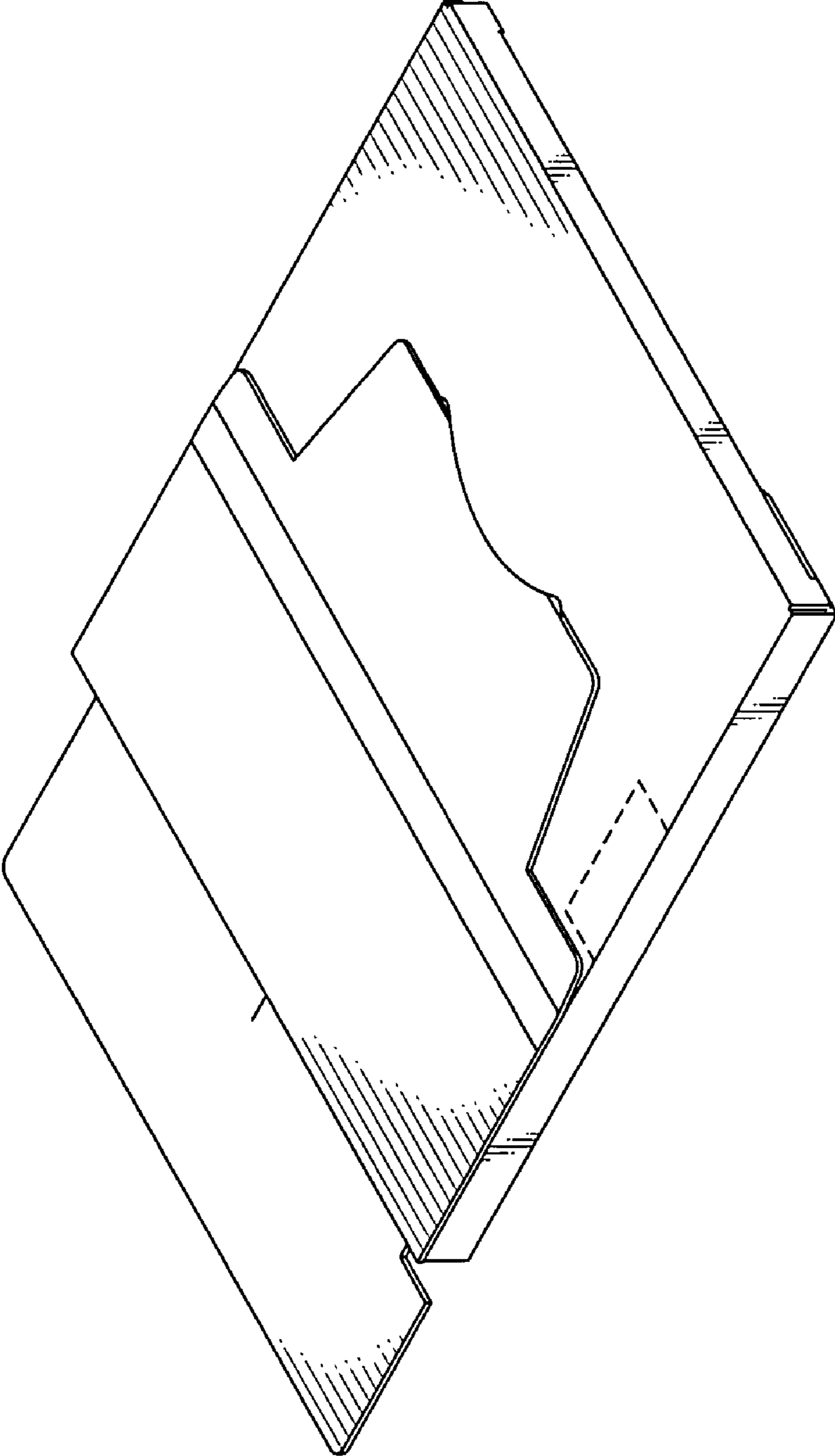


FIG. 17