



US00D571852S

(12) **United States Design Patent**  
**Nip**

(10) **Patent No.:** **US D571,852 S**

(45) **Date of Patent:** **\*\* Jun. 24, 2008**

(54) **INK CARTRIDGE FOR COMPUTER PRINTER**

7,192,129 B2 \* 3/2007 Droege et al. .... 347/87  
2007/0159515 A1 \* 7/2007 Droege et al. .... 347/86

\* cited by examiner

(75) Inventor: **Shui Kuen Nip**, North Point (HK)

*Primary Examiner*—Cathy Anne MacCormac

(73) Assignee: **Powerful Way Limited**, North Point (HK)

(74) *Attorney, Agent, or Firm*—Rabin & Berdo, P.C.

(\*\*) Term: **14 Years**

(57) **CLAIM**

(21) Appl. No.: **29/267,965**

The ornamental design for an ink cartridge for computer printer, as shown and described.

(22) Filed: **Oct. 26, 2006**

**DESCRIPTION**

(51) **LOC (8) Cl.** ..... **18-02**

FIG. 1 is a front view of an ink cartridge for computer printer showing my new design;

(52) **U.S. Cl.** ..... **D18/56; 347/86**

FIG. 2 is a rear view thereof;

(58) **Field of Classification Search** ..... D18/43,

FIG. 3 is a left side view thereof;

D18/56; 347/86–87

FIG. 4 is a right side view thereof;

See application file for complete search history.

FIG. 5 is a top view thereof;

(56) **References Cited**

FIG. 6 is a bottom view thereof; and,

**U.S. PATENT DOCUMENTS**

FIG. 7 is a perspective view of the top, front and right side thereof.

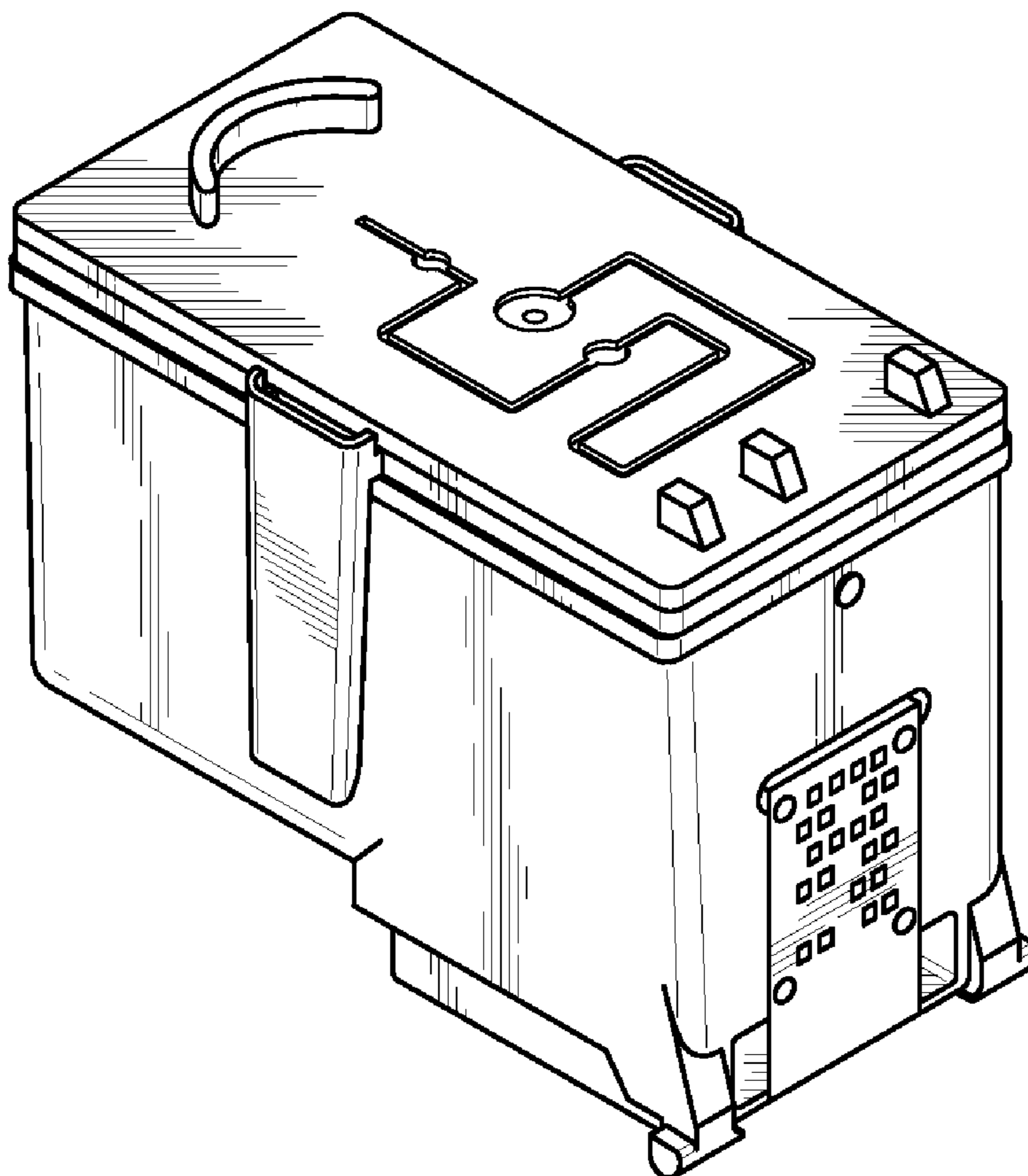
D457,184 S \* 5/2002 Boyd et al. .... D18/56

6,543,878 B2 \* 4/2003 Xu et al. .... 347/87

D529,084 S \* 9/2006 Myers et al. .... D18/56

D534,582 S \* 1/2007 Tajima et al. .... D18/56

**1 Claim, 4 Drawing Sheets**



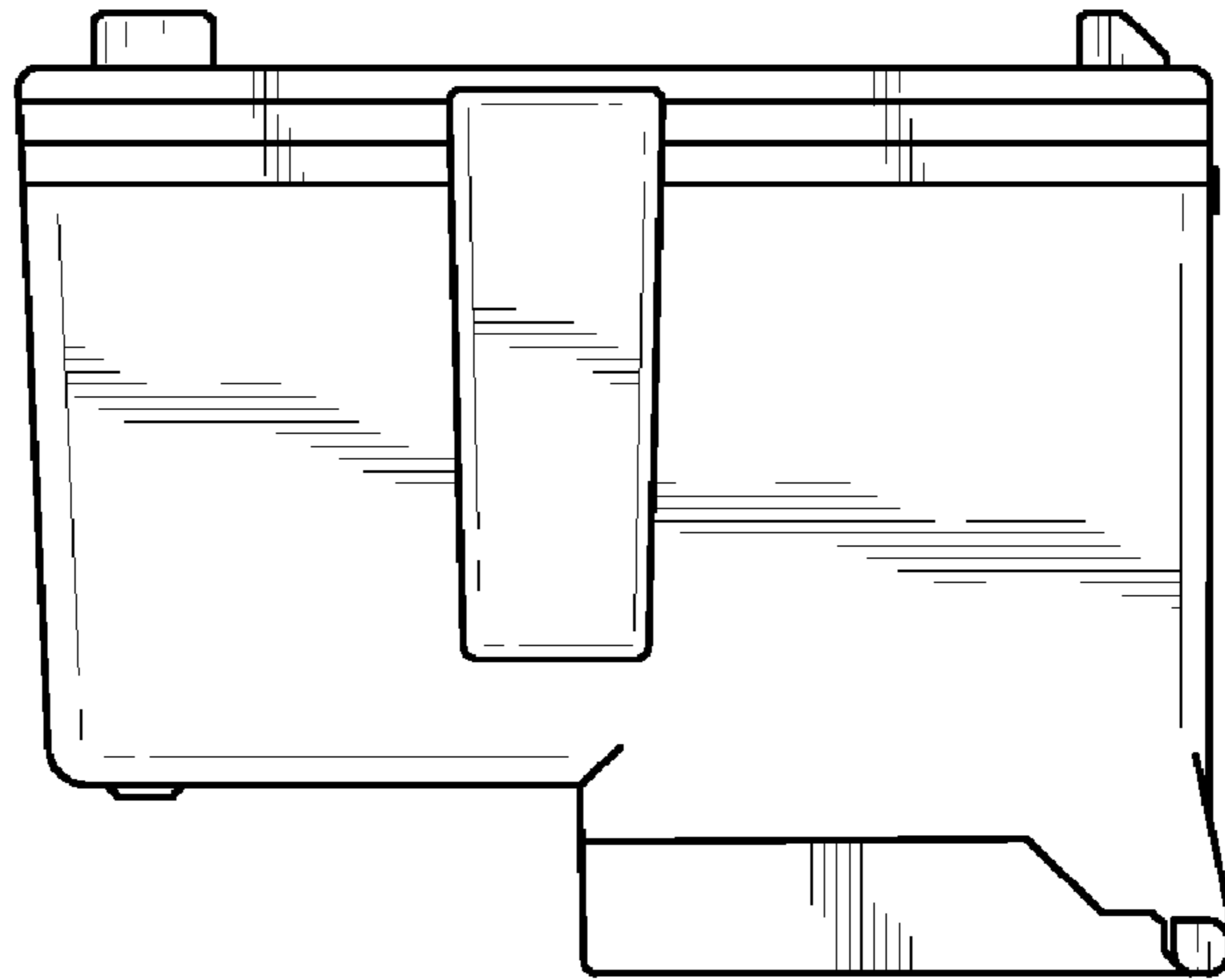


FIG. 1

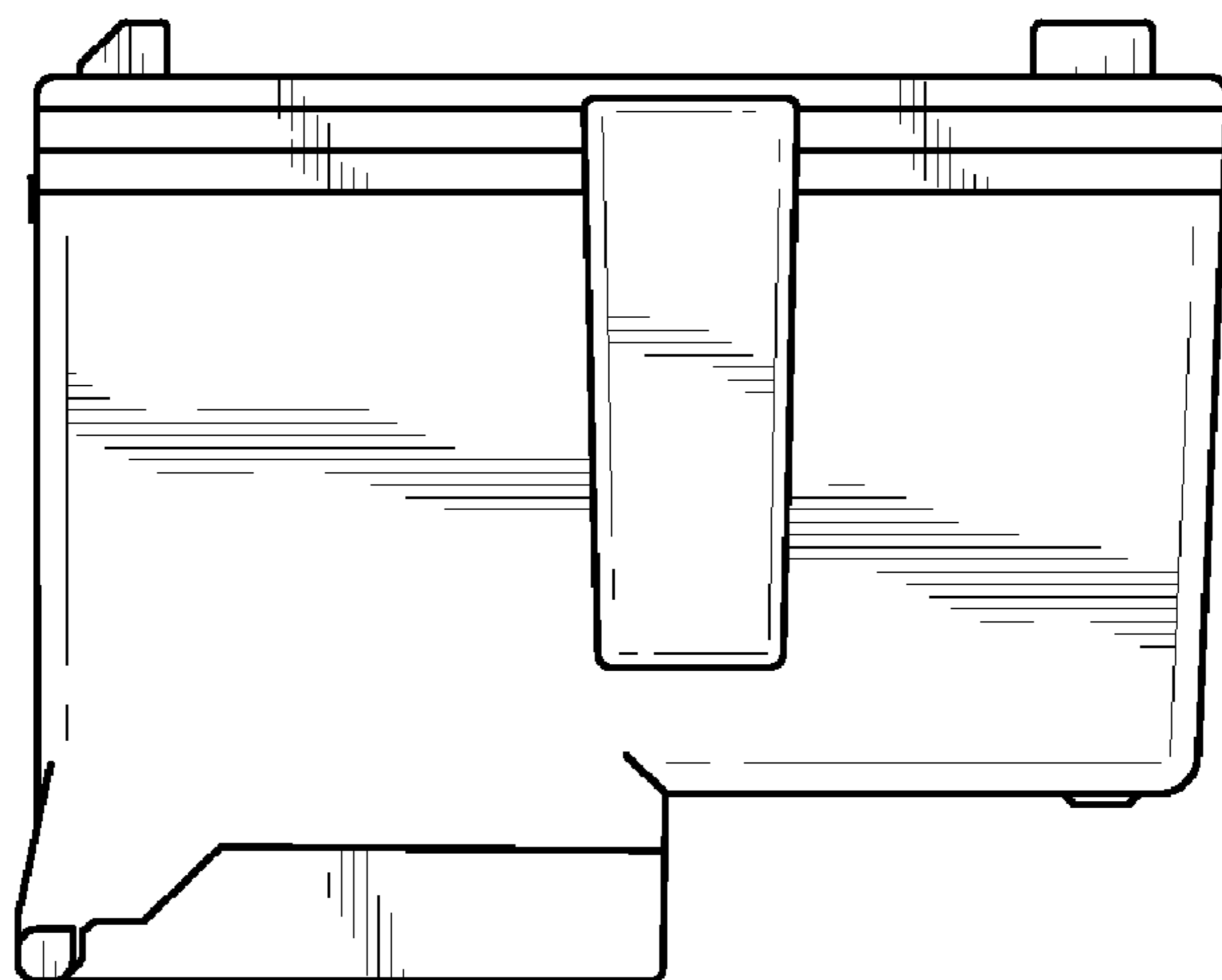


FIG. 2

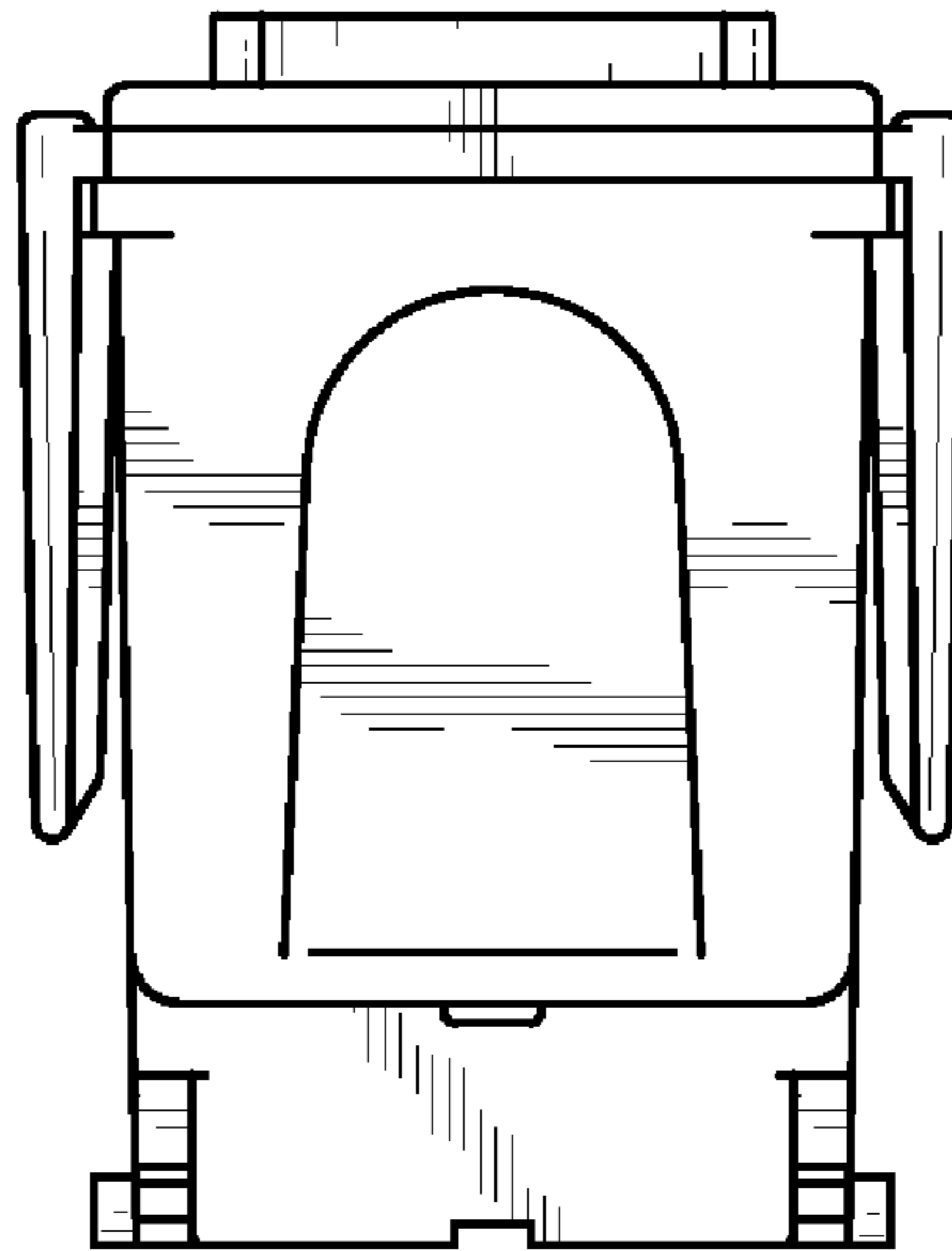


FIG. 3

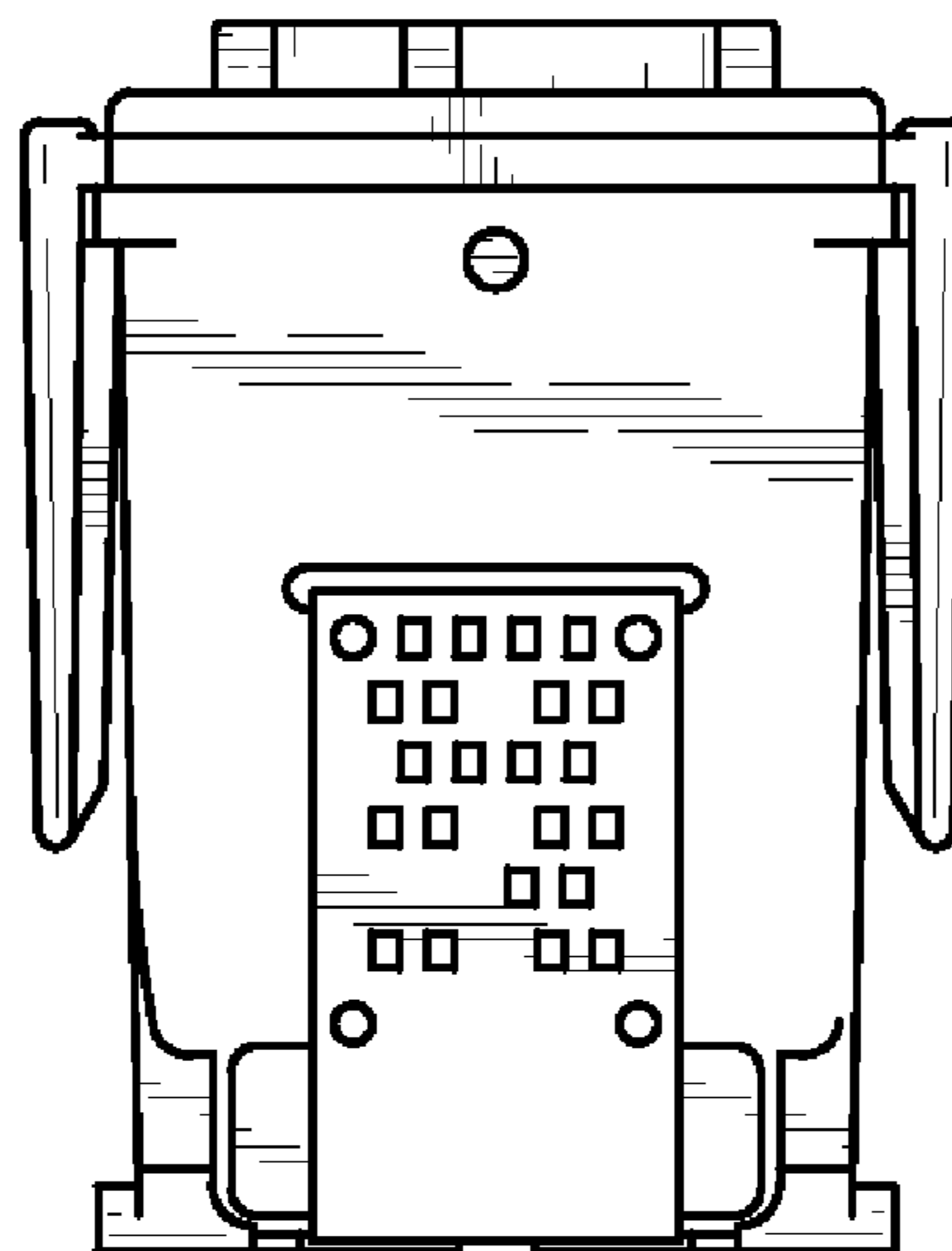


FIG. 4

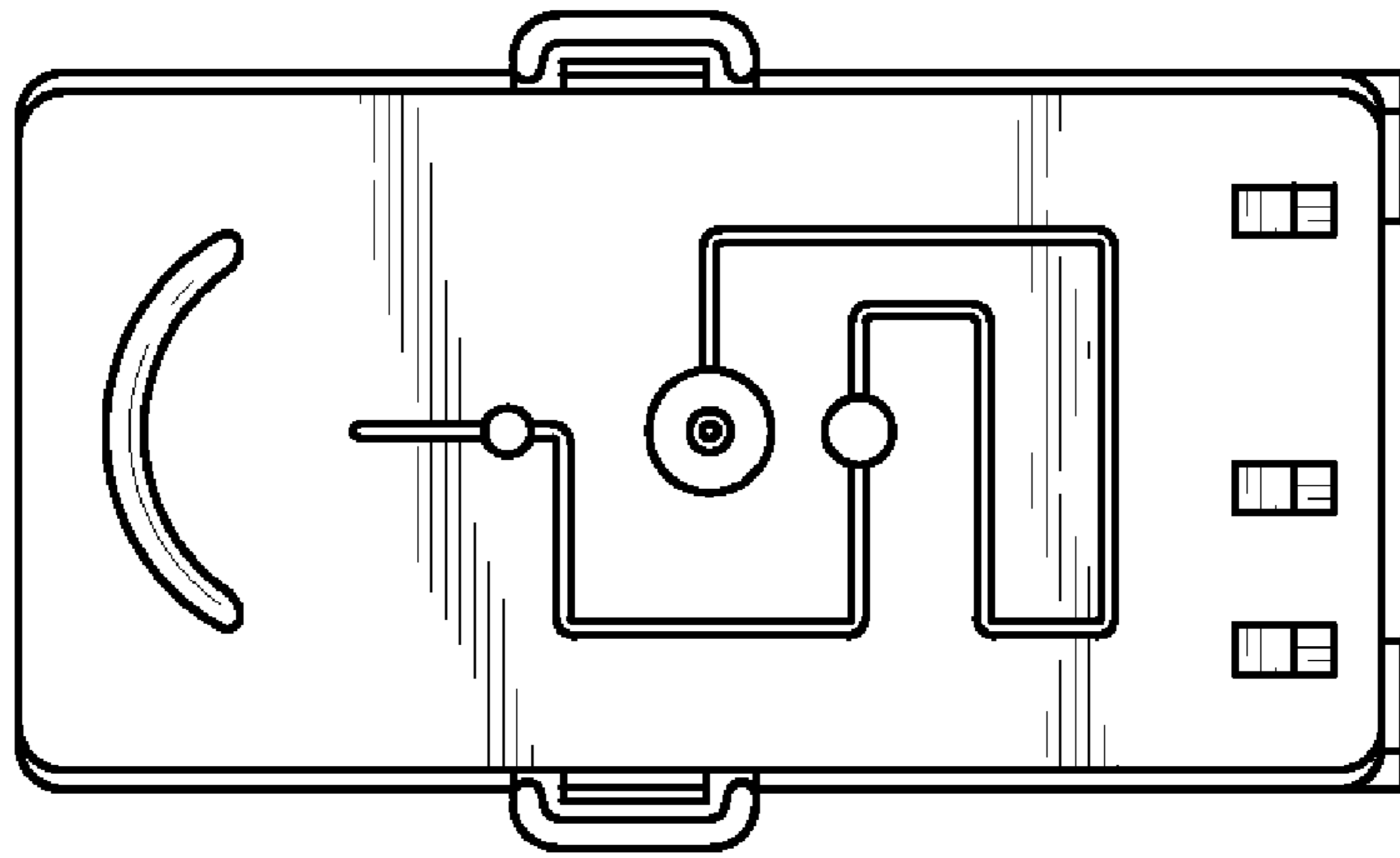


FIG. 5

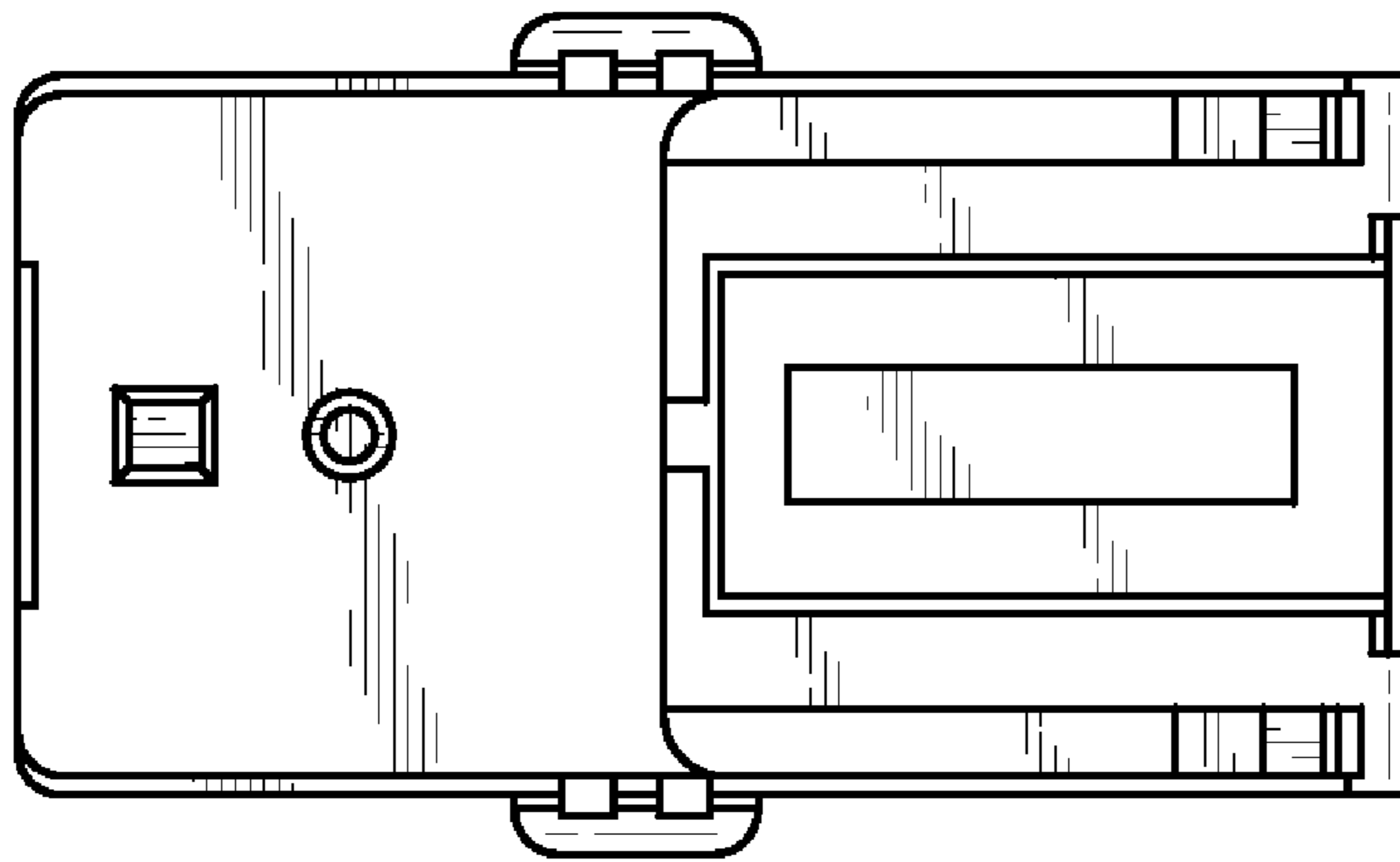


FIG. 6

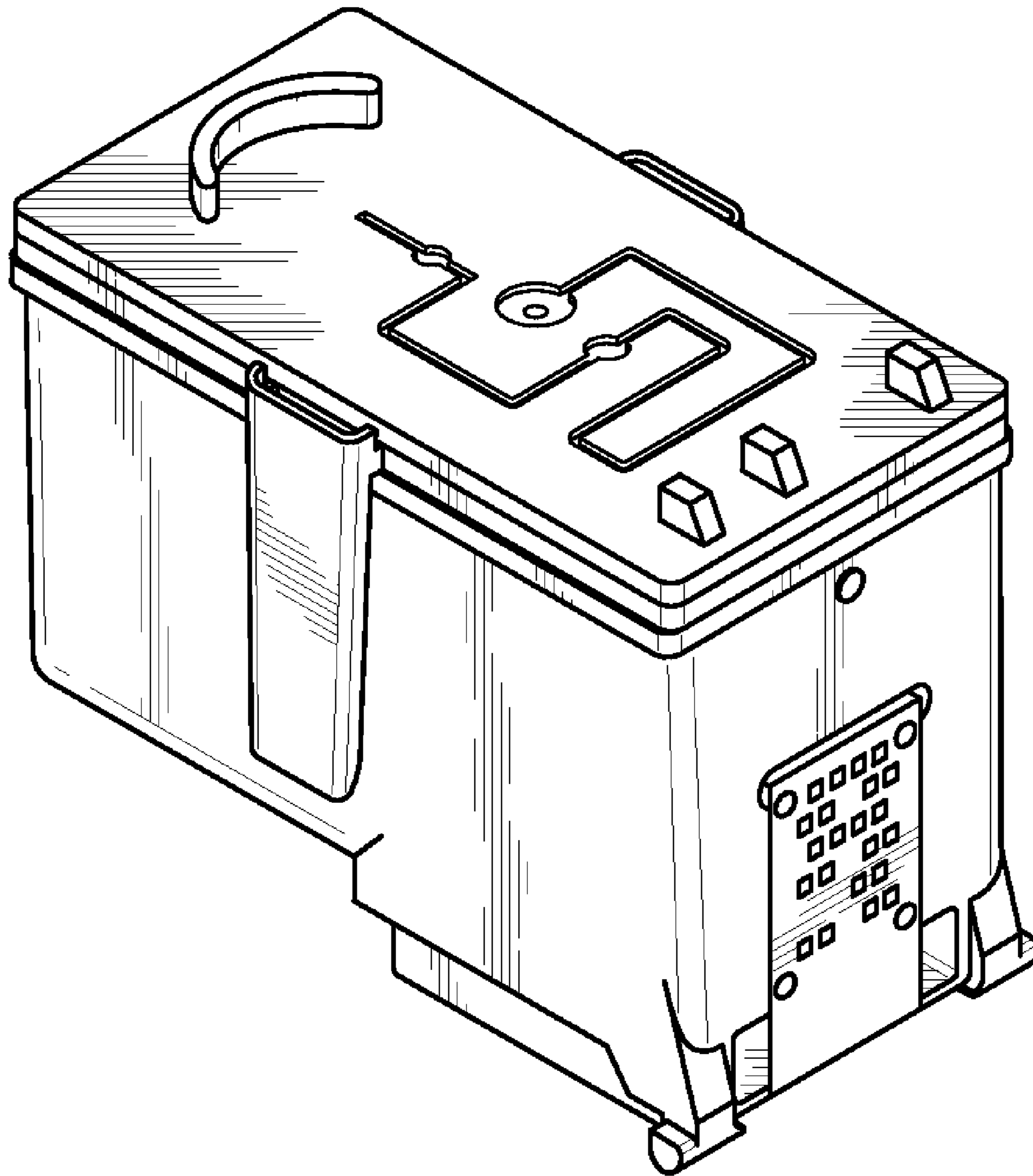


FIG. 7