



US00D571846S

(12) **United States Design Patent**
Yoshii et al.

(10) **Patent No.:** **US D571,846 S**
(45) **Date of Patent:** **** Jun. 24, 2008**

(54) **DIGITAL CAMERA**

(75) Inventors: **Kazuto Yoshii**, Osaka (JP); **Motohiro Sasada**, Osaka (JP)

(73) Assignee: **Sanyo Electric Co. Ltd.**, Osaka (JP)

(**) Term: **14 Years**

(21) Appl. No.: **29/297,812**

(22) Filed: **Nov. 19, 2007**

(30) **Foreign Application Priority Data**

Jun. 27, 2007 (JP) 2007-017146

(51) **LOC (8) Cl.** **16-01**

(52) **U.S. Cl.** **D16/202; D16/206**

(58) **Field of Classification Search** D16/200–206,
D16/208, 218; 348/333.06, 373–376; 358/906,
358/909.1; 396/535–541

See application file for complete search history.

(56) **References Cited**

U.S. PATENT DOCUMENTS

D463,469 S * 9/2002 Kawase D16/202
D499,437 S * 12/2004 Miyamori et al. D16/202
D503,731 S * 4/2005 Kinemura et al. D16/202
6,912,005 B2 * 6/2005 Senda 348/333.06
7,092,626 B2 * 8/2006 Hirai 348/376

D528,141 S * 9/2006 Kinemura et al. D16/202
D547,785 S * 7/2007 Oe D16/202
D556,801 S * 12/2007 Kim D16/202
D559,877 S * 1/2008 Sasada D16/202
D563,449 S * 3/2008 Kinemura et al. D16/202

* cited by examiner

Primary Examiner—Adir Aronovich

(74) *Attorney, Agent, or Firm*—Darby & Darby P.C.

(57) **CLAIM**

The ornamental design for digital camera, as shown and described.

DESCRIPTION

FIG. 1 is a front, top, right-side perspective view of our new design for digital camera;

FIG. 2 is a front, top, right-side perspective view thereof with the display pivoted upwardly and rotated toward the front;

FIG. 3 is a front elevation view thereof;

FIG. 4 is a top plan view thereof;

FIG. 5 is a rear elevation view thereof;

FIG. 6 is a bottom plan view thereof;

FIG. 7 is a left-side elevation view thereof; and,

FIG. 8 is a right-side elevation view thereof.

1 Claim, 4 Drawing Sheets

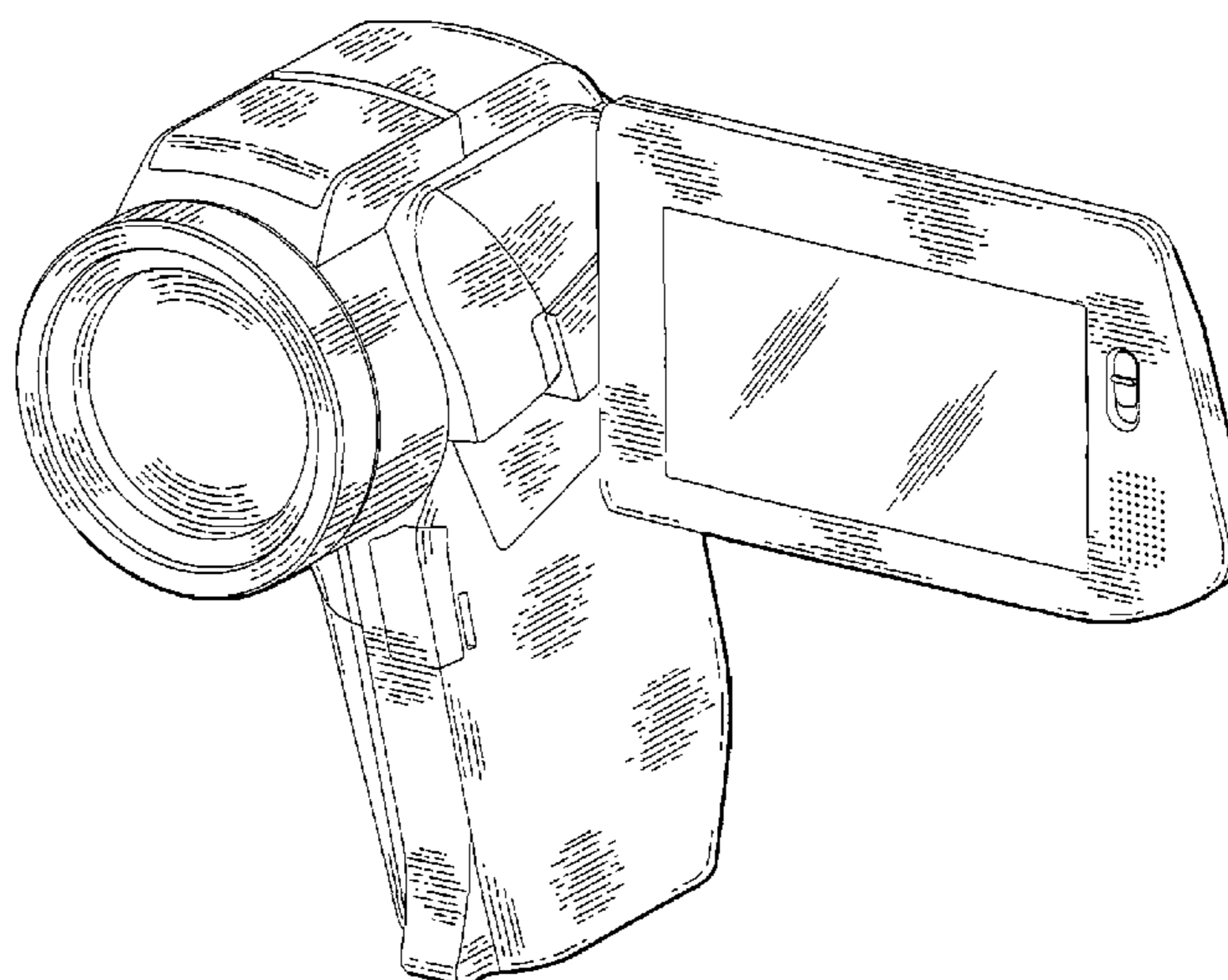
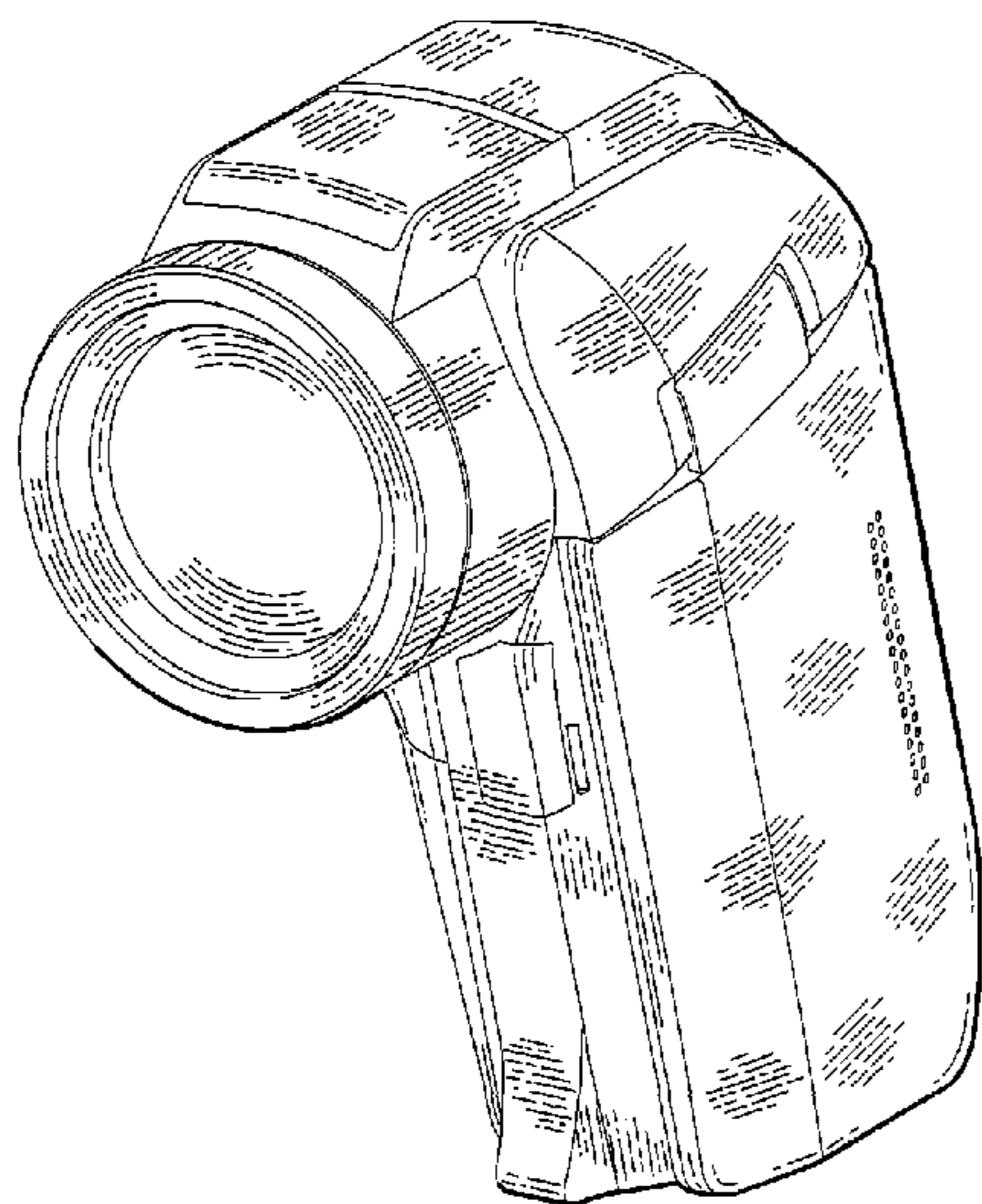


FIG.2

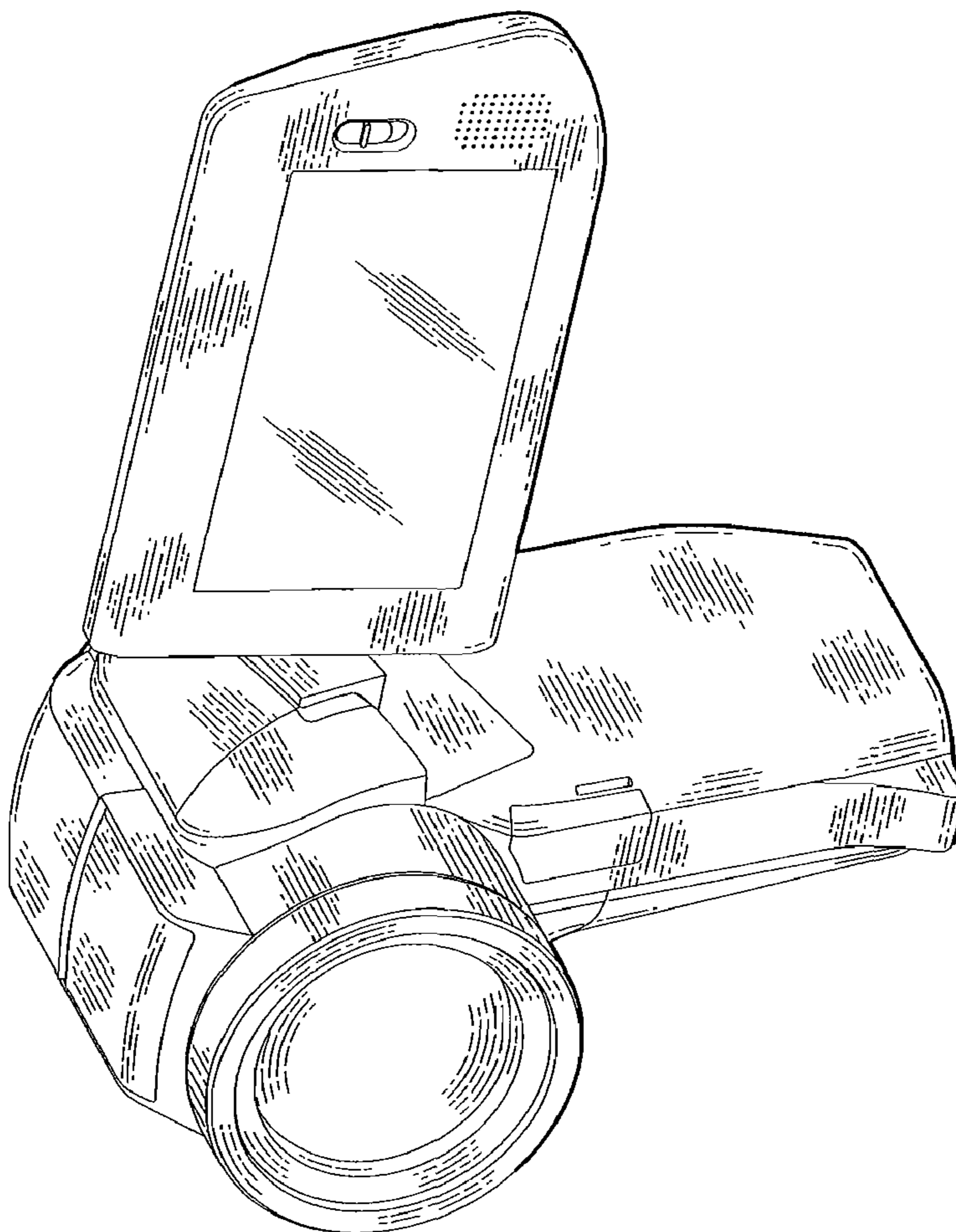


FIG.1

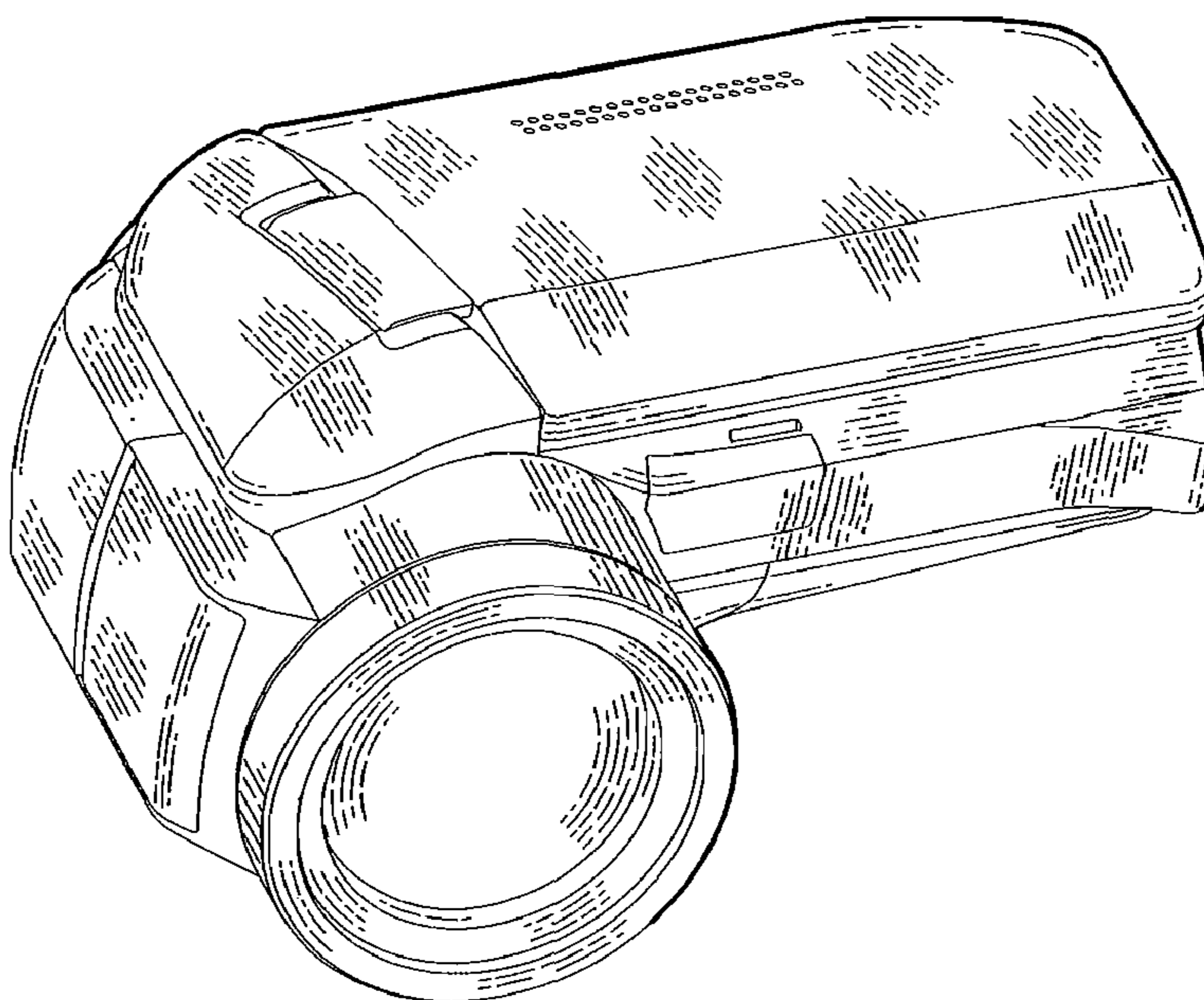


FIG.4

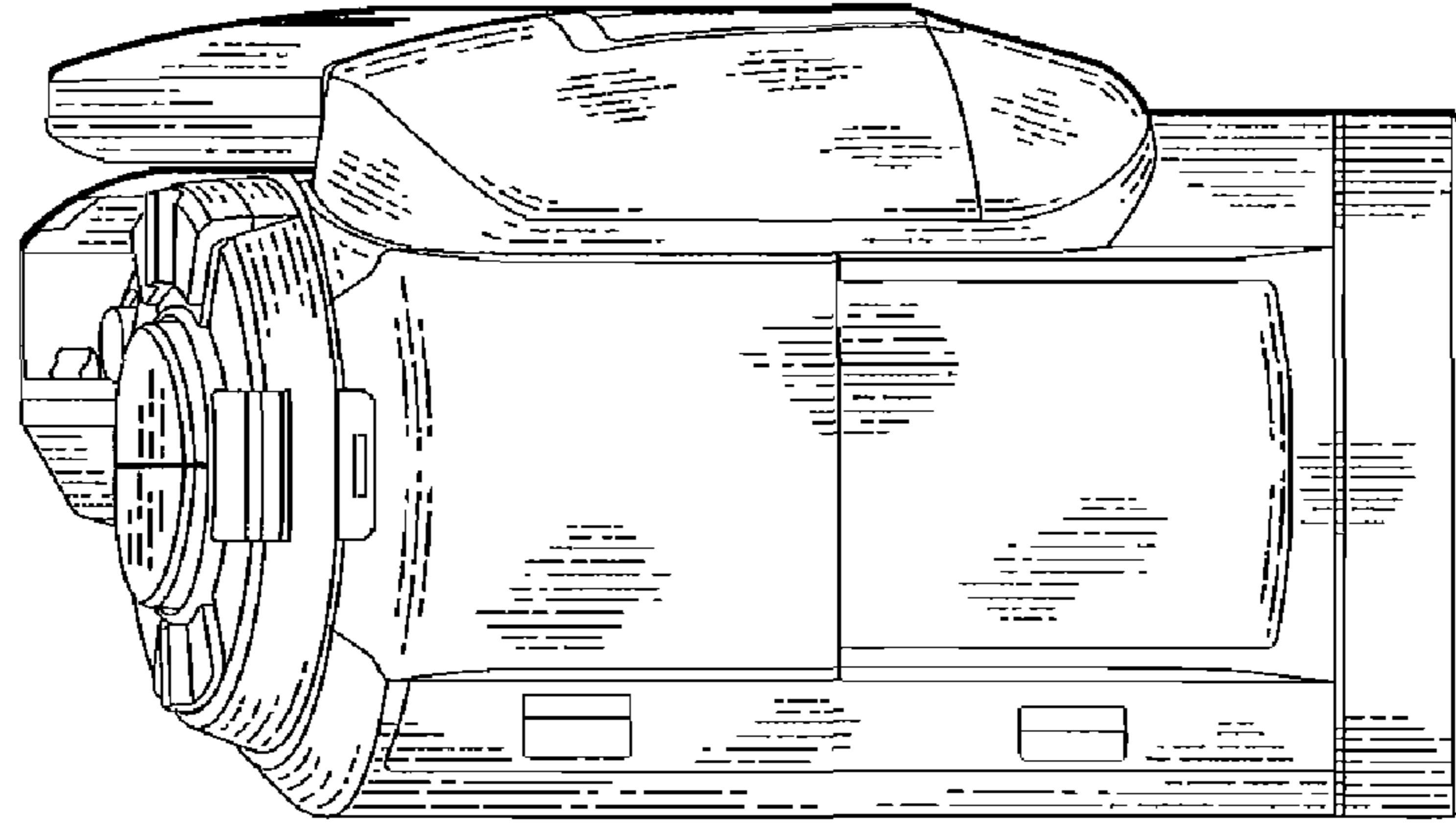


FIG.3

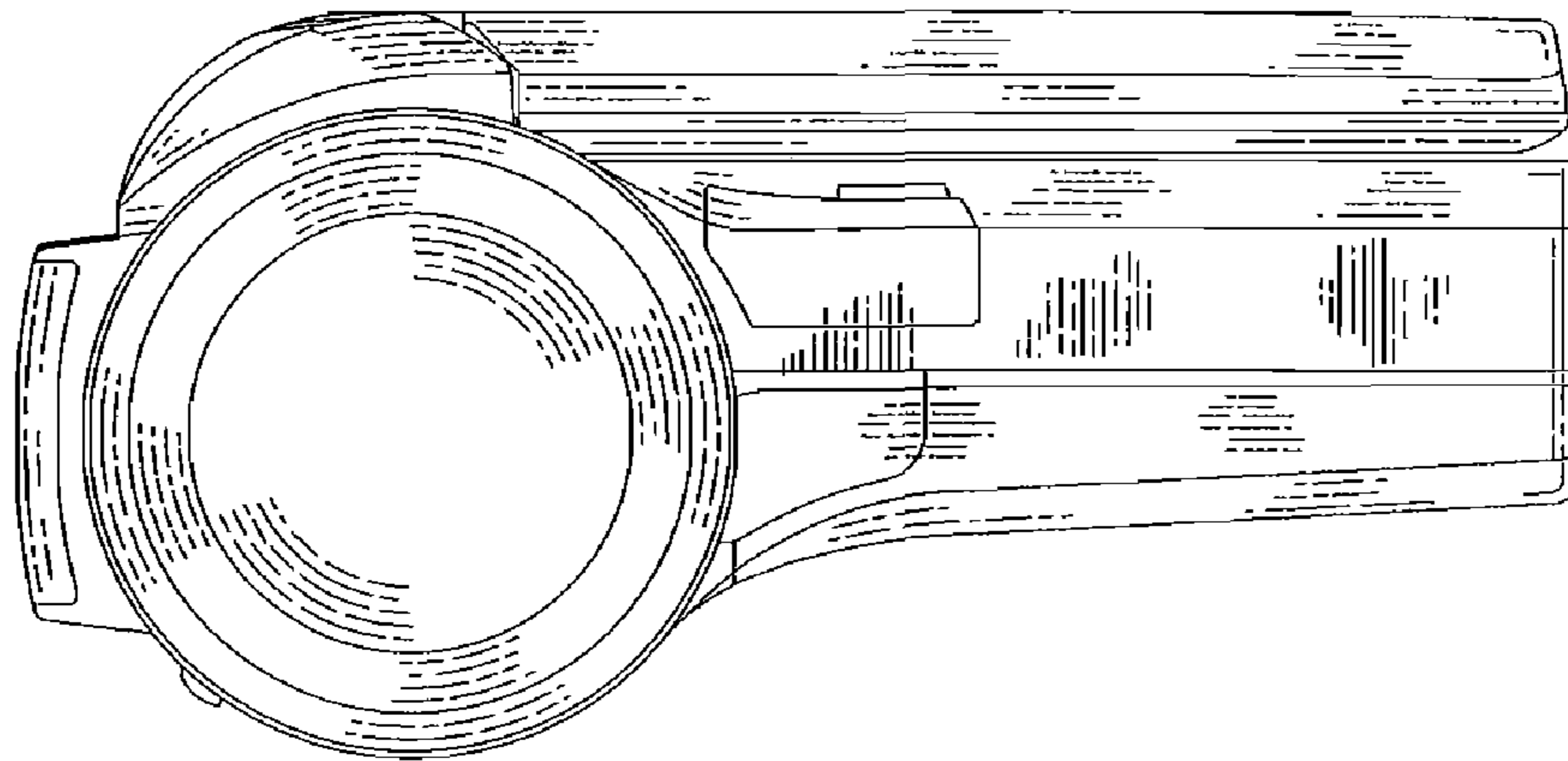


FIG.6

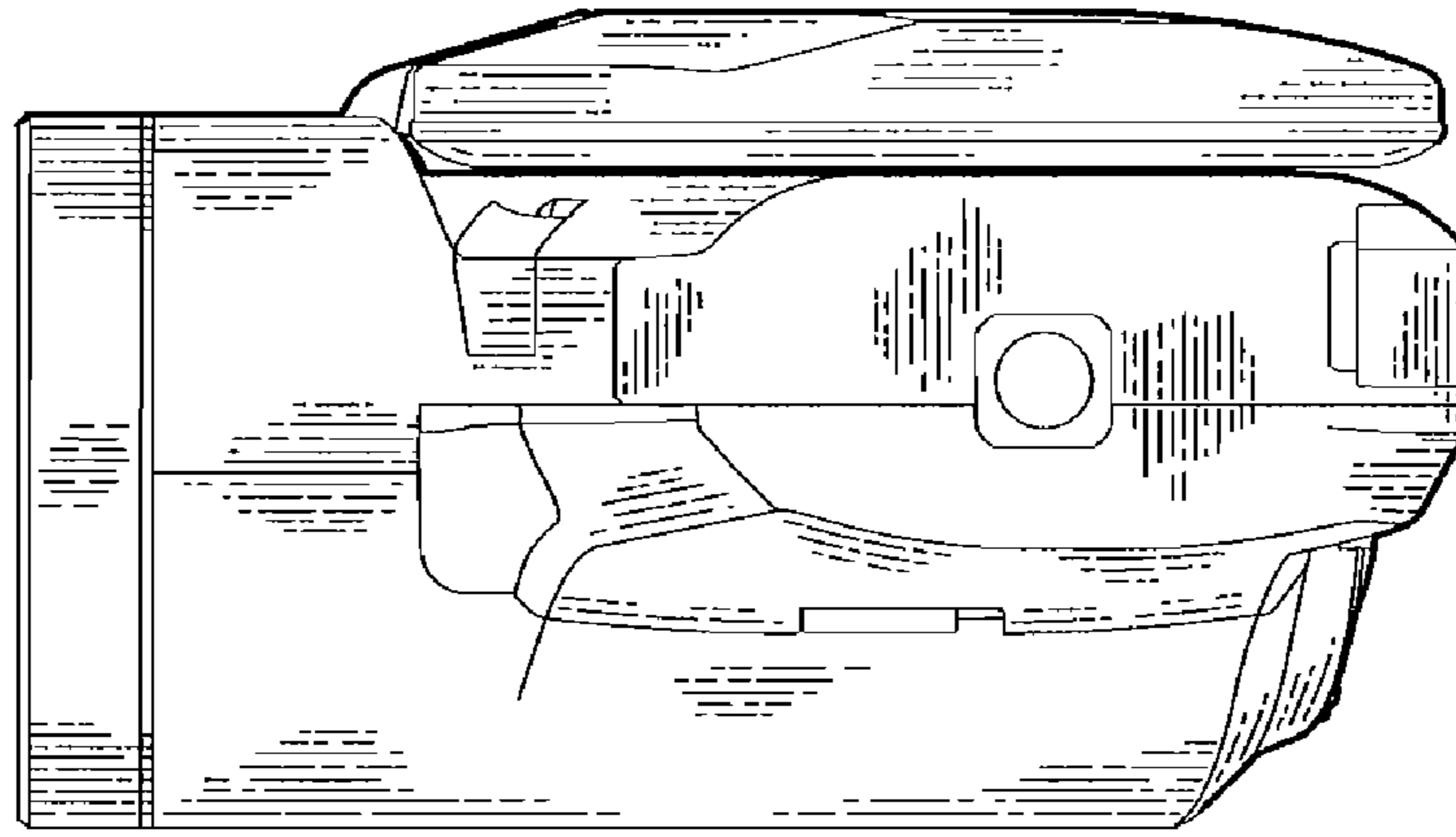


FIG.5

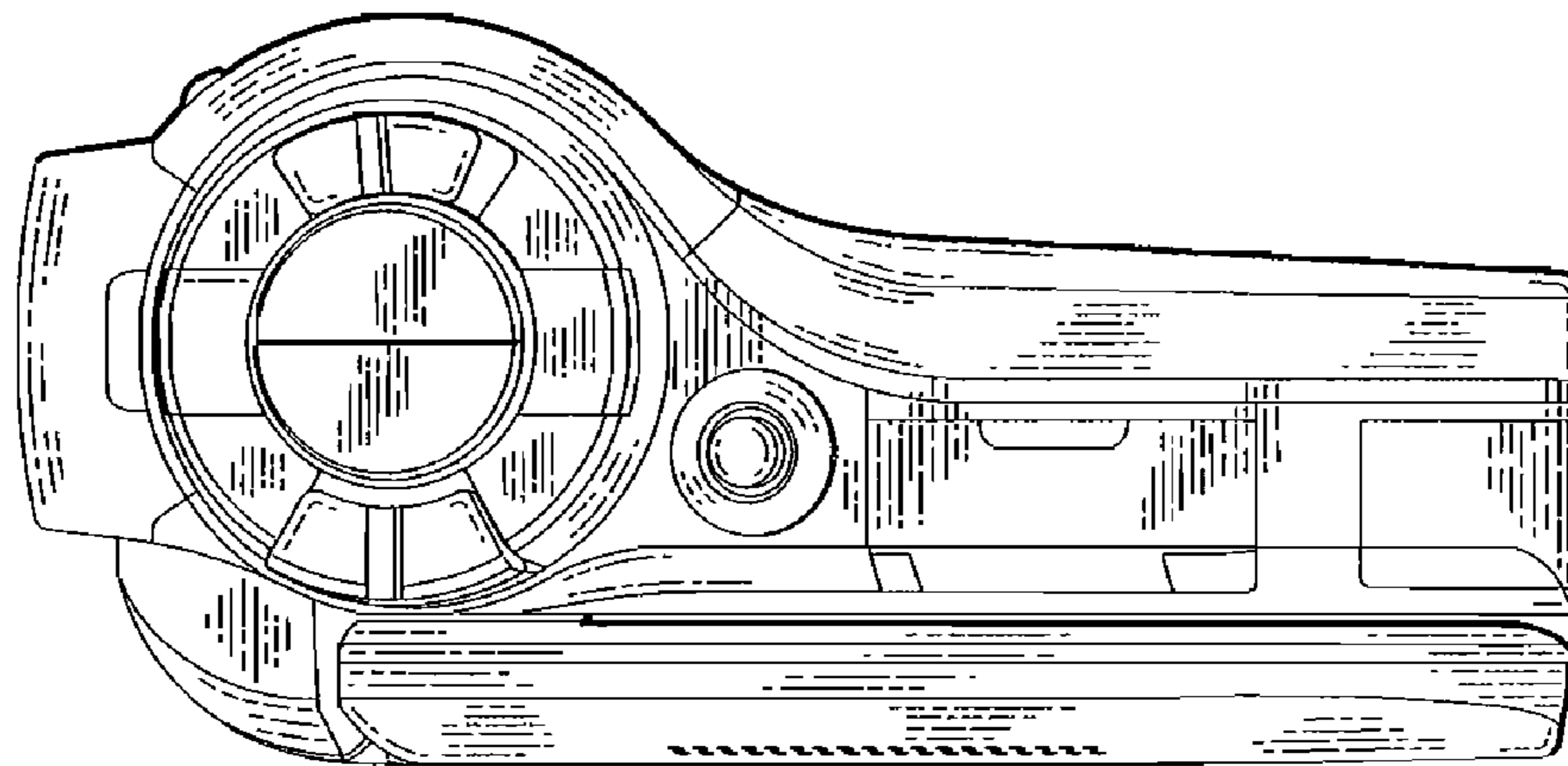


FIG.8

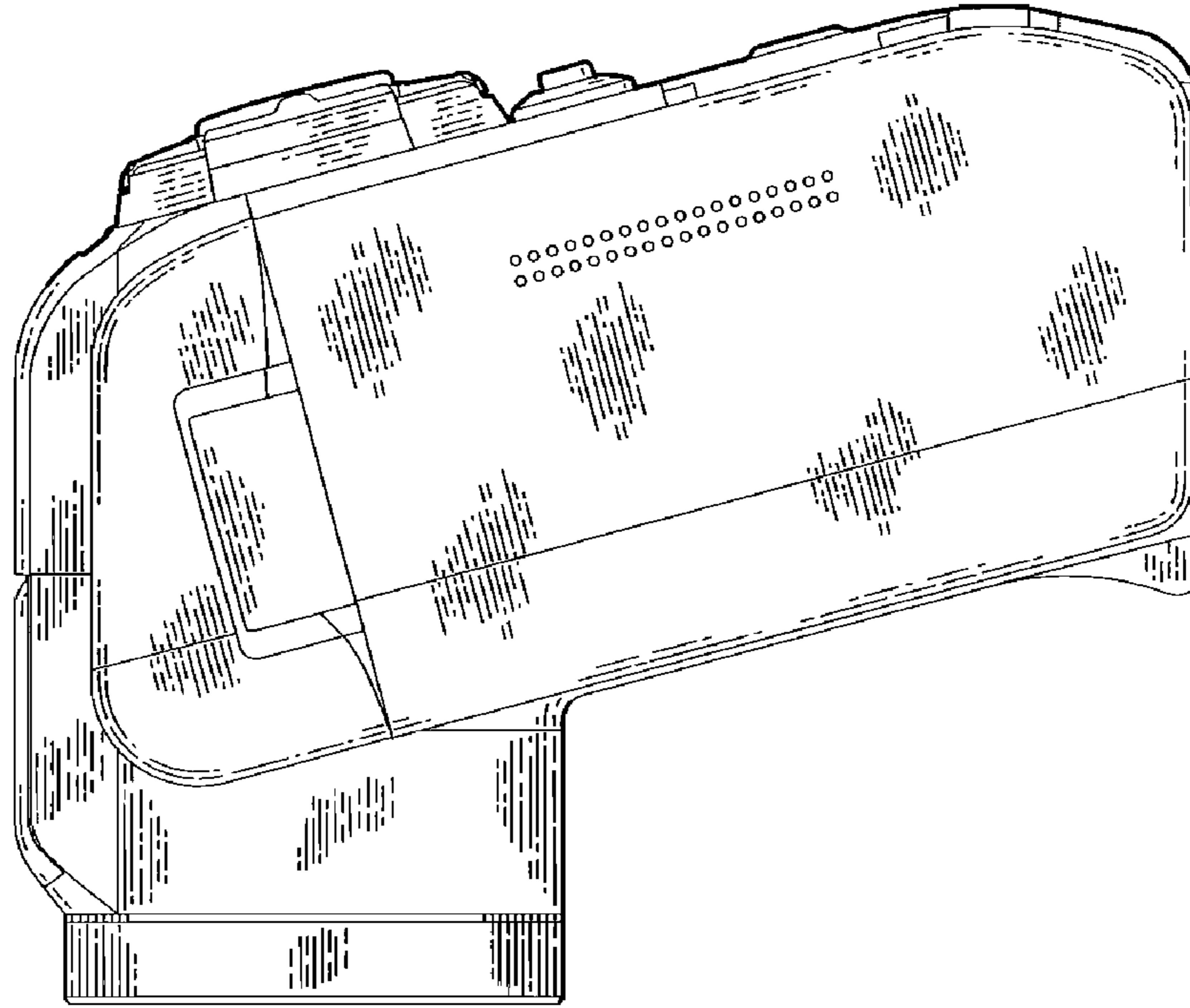


FIG.7

