



US00D571845S

(12) **United States Design Patent**
Shimobayashi

(10) **Patent No.:** **US D571,845 S**
(45) **Date of Patent:** **** Jun. 24, 2008**

(54) **DIGITAL CAMERA**

(75) Inventor: **Koji Shimobayashi**, Hachioji (JP)

(73) Assignee: **Olympus Imaging Corp.**, Tokyo (JP)

(**) Term: **14 Years**

(21) Appl. No.: **29/292,509**

(22) Filed: **Oct. 11, 2007**

Related U.S. Application Data

(62) Division of application No. 29/263,782, filed on Jul. 28, 2006.

(51) **LOC (8) Cl.** **16-01**

(52) **U.S. Cl.** **D16/202**

(58) **Field of Classification Search** D16/200-204,
D16/208, 218, 219; 348/373-376; 358/909.1;
396/535-541

See application file for complete search history.

(56) **References Cited**

U.S. PATENT DOCUMENTS

D496,380 S * 9/2004 Isomoto D16/202
D497,926 S * 11/2004 Yanagisawa et al. D16/218
D523,456 S * 6/2006 Chang D16/202

D535,314 S * 1/2007 Chang D16/202
D547,343 S * 7/2007 Sato D16/202
D553,658 S * 10/2007 Naito et al. D16/202

* cited by examiner

Primary Examiner—Adir Aronovich

(74) *Attorney, Agent, or Firm*—Straub and Pokotylo; John C. Pokotylo

(57) **CLAIM**

The ornamental design for a digital camera, as shown and described.

DESCRIPTION

FIG. 1 is a front, top and right side perspective view of a digital camera, showing my design;

FIG. 2 is a rear, top and left side perspective view thereof;

FIG. 3 is a front view thereof;

FIG. 4 is a rear view thereof;

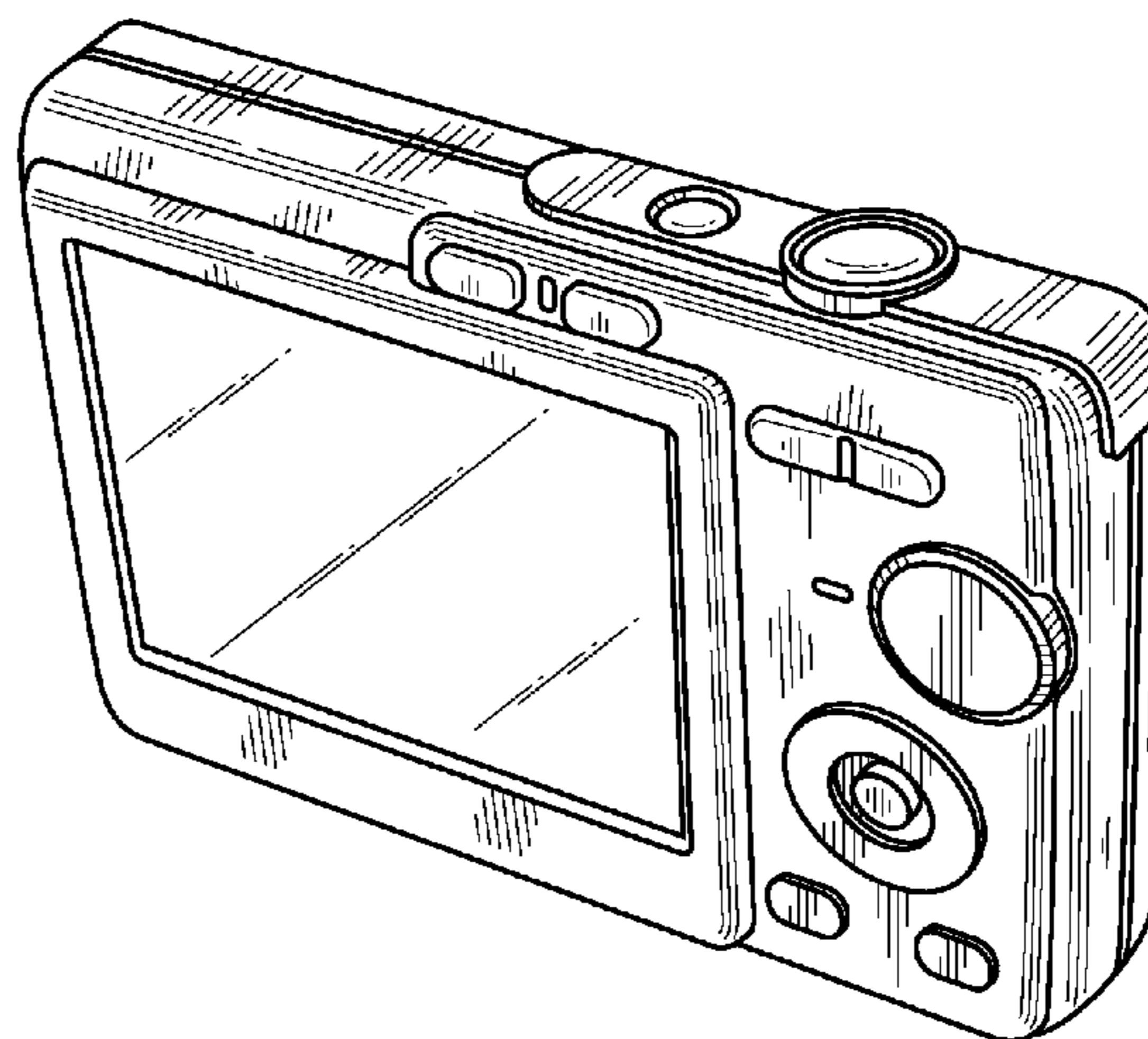
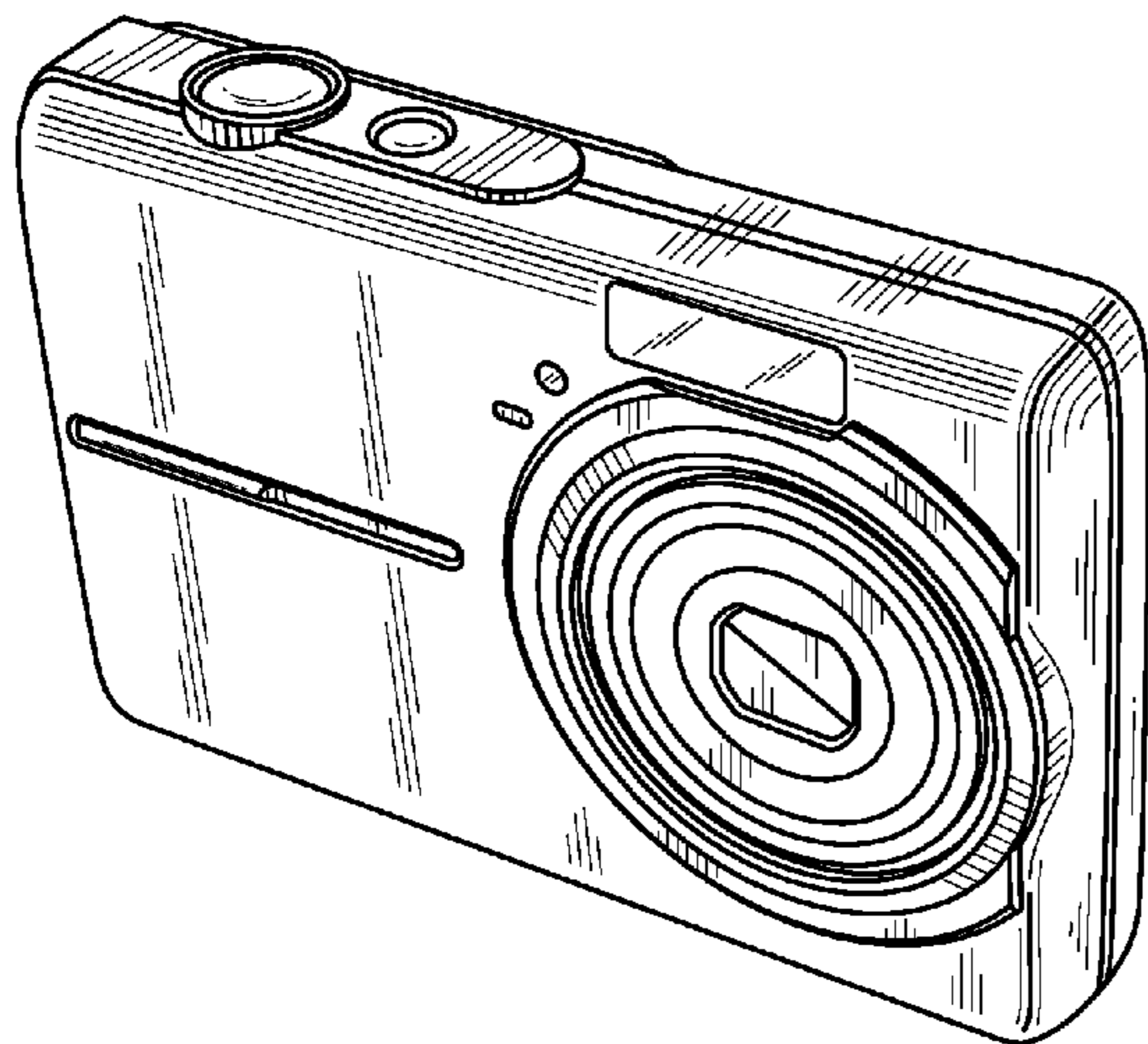
FIG. 5 is a top plan view thereof;

FIG. 6 is a bottom plan view thereof;

FIG. 7 is a left side view thereof; and,

FIG. 8 is a right side view thereof.

1 Claim, 3 Drawing Sheets



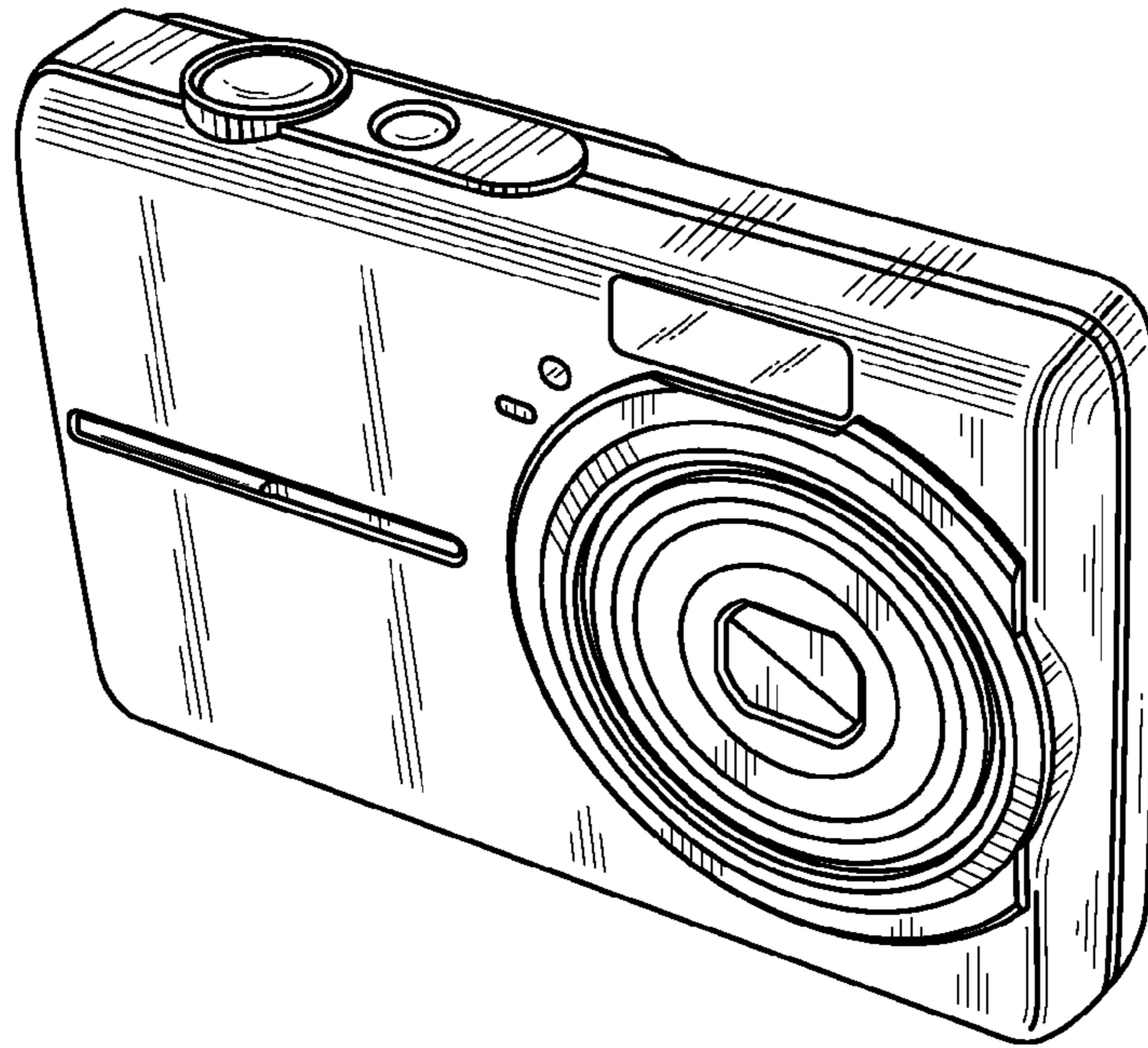


FIG. 1

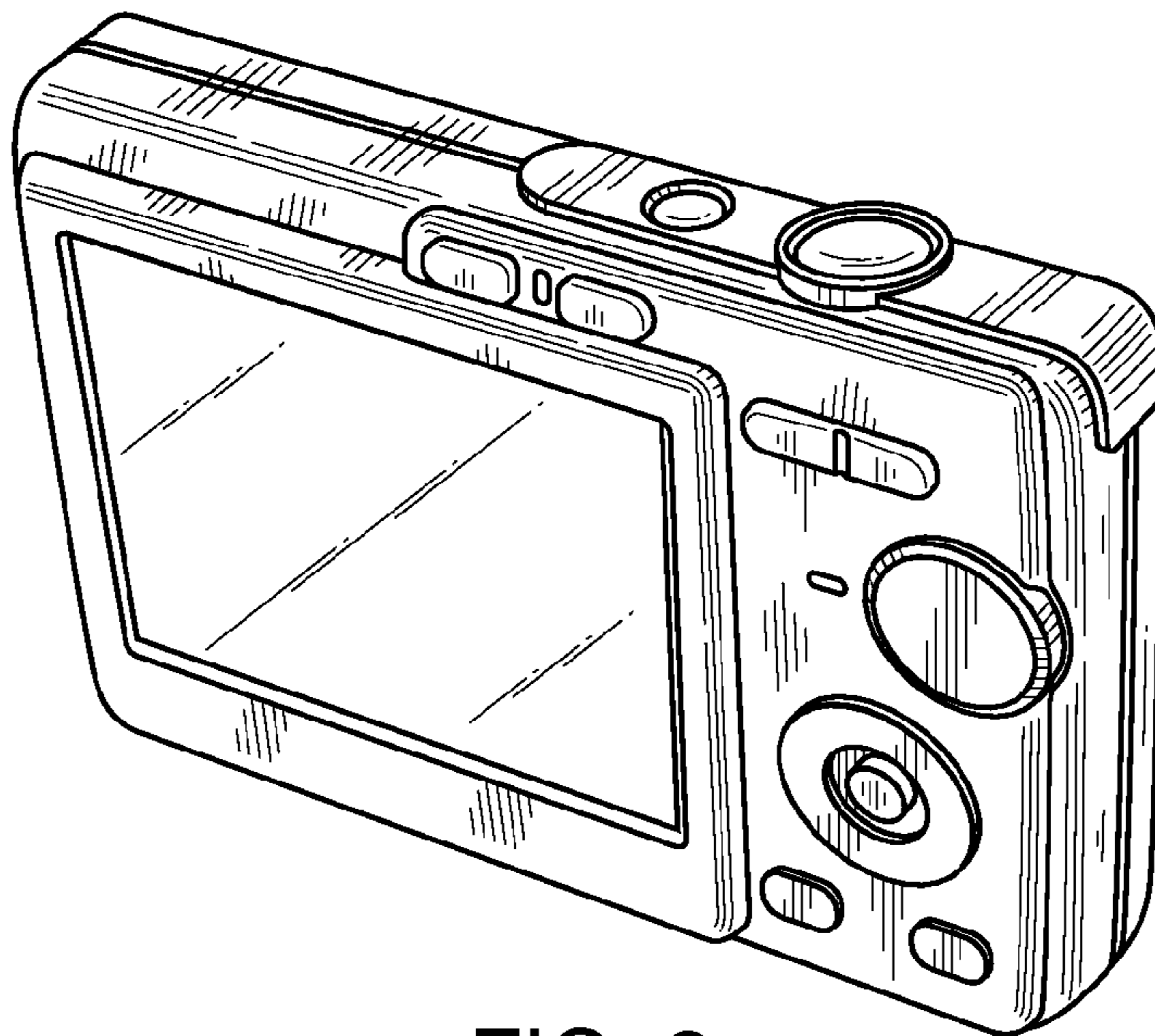


FIG. 2

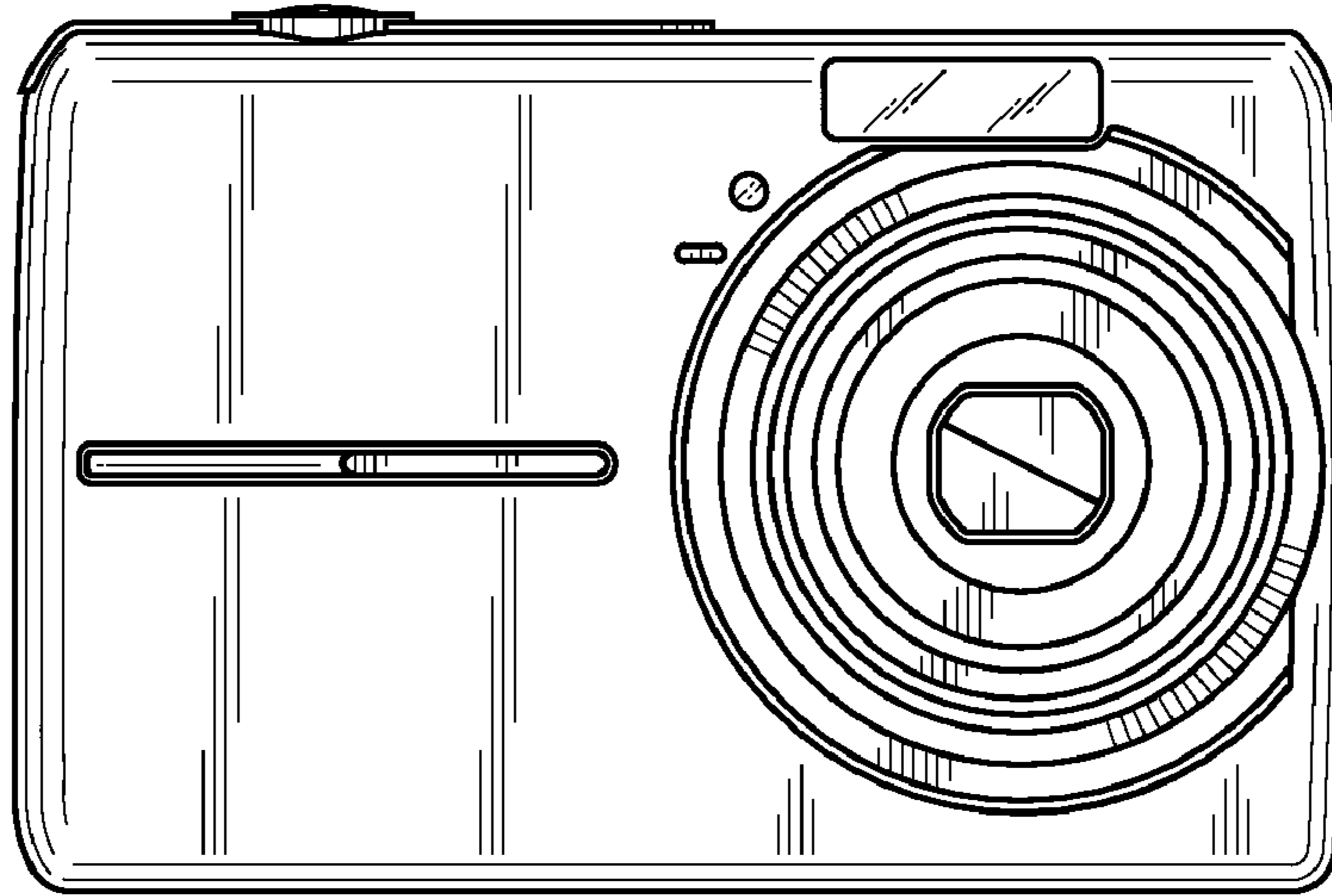


FIG. 3

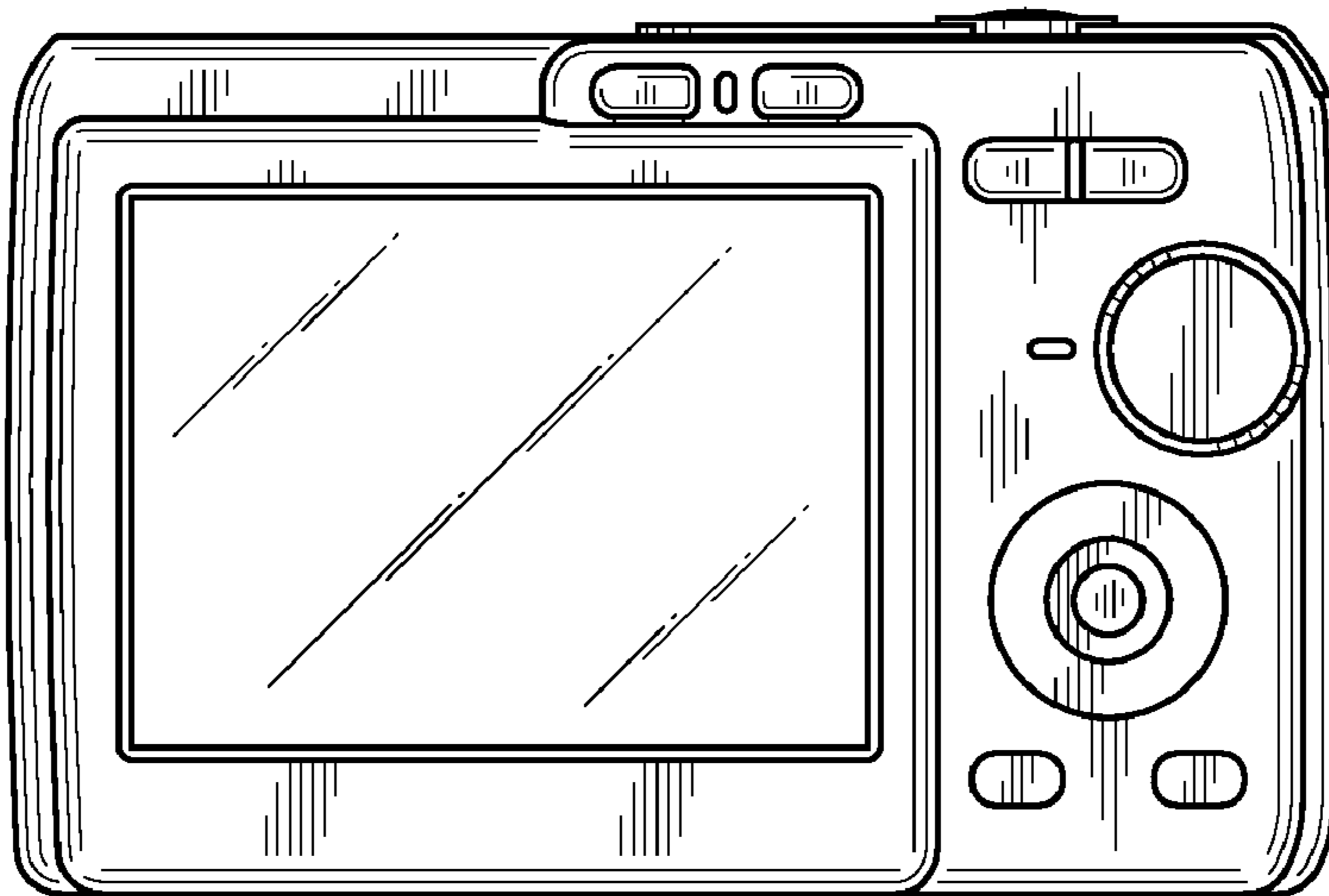


FIG. 4

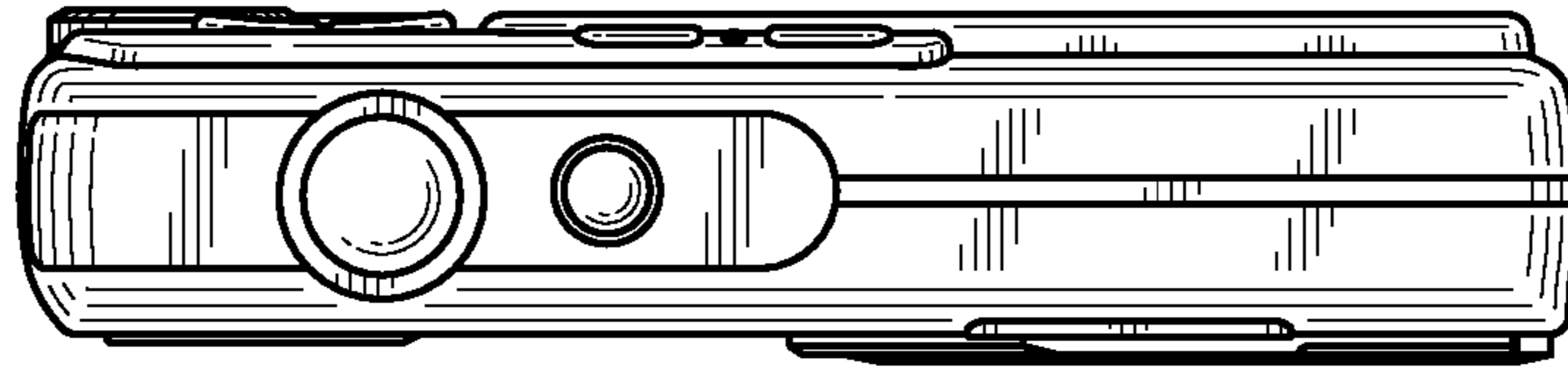


FIG. 5

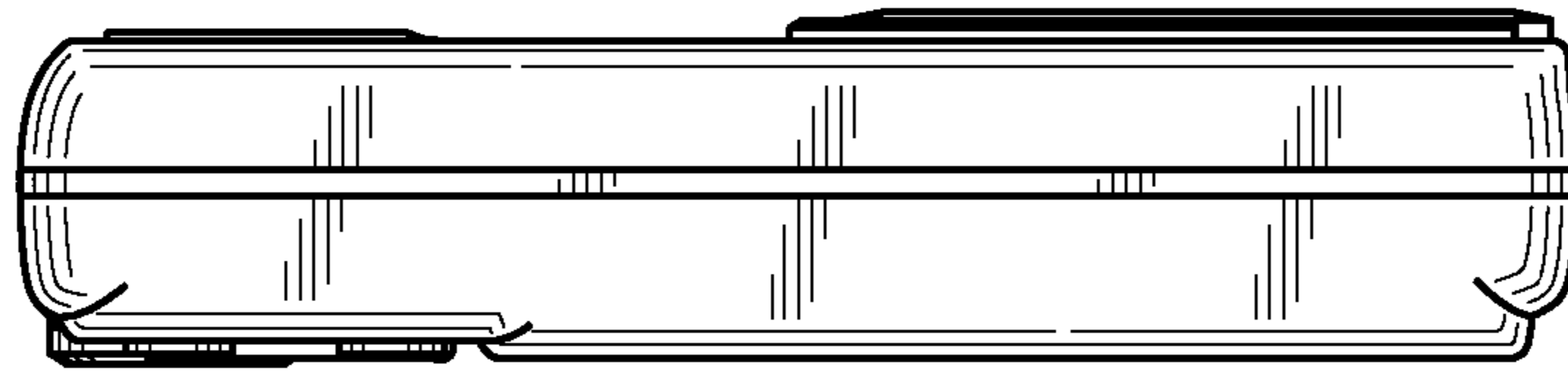


FIG. 6

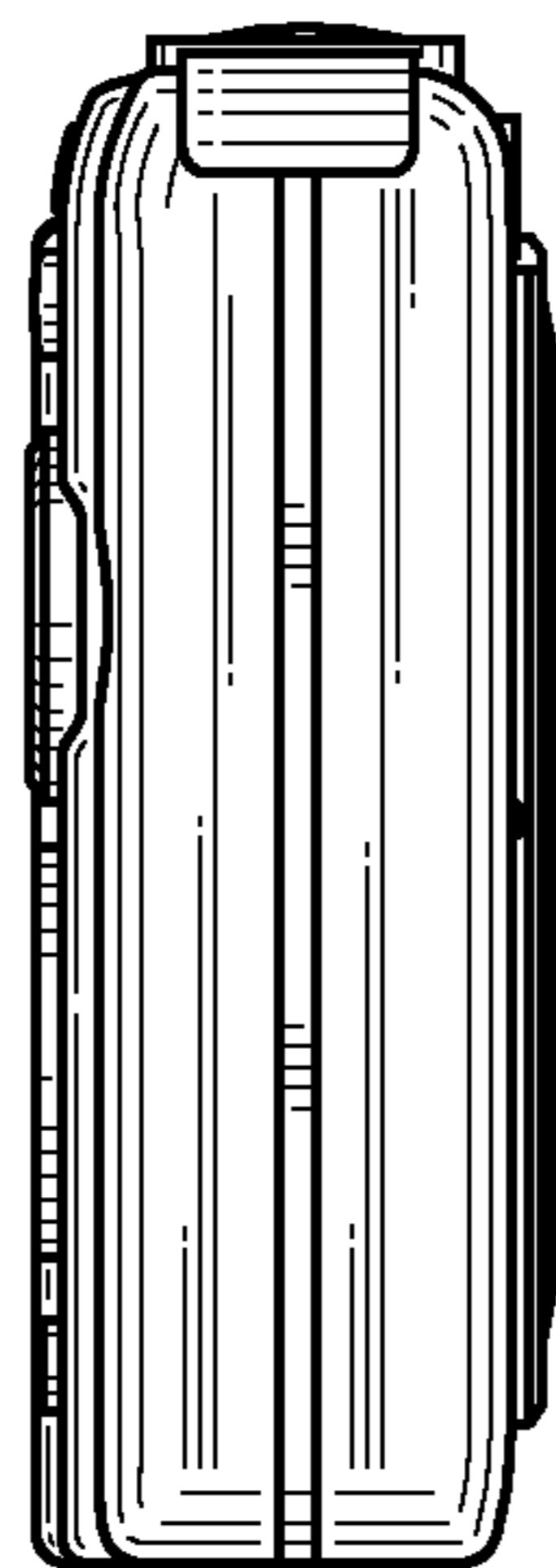


FIG. 7

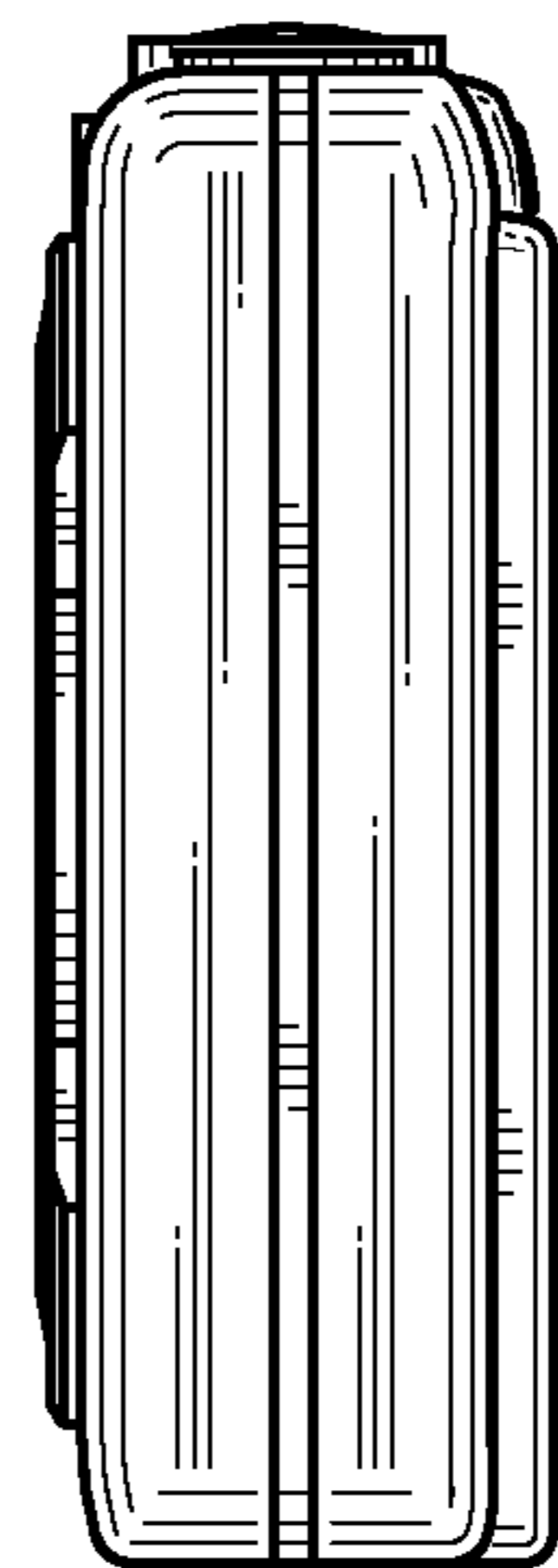


FIG. 8