



US00D571844S

(12) **United States Design Patent**
Lee et al.

(10) **Patent No.:** **US D571,844 S**
(45) **Date of Patent:** **** Jun. 24, 2008**

(54) **DIGITAL CAMERA**

D500,777 S * 1/2005 Basmadjian et al. D16/212
D522,558 S * 6/2006 Murray D16/212

(75) Inventors: **Eun-kyung Lee**, Seoul (KR);
Seung-seup Yoo, Seoul (KR); **Sung-hwa Chang**, Seoul (KR)

* cited by examiner

(73) Assignee: **Samsung Techwin Co., Ltd.**, Changwon (KR)

Primary Examiner—Ian Simmons
Assistant Examiner—Wan Laymon
(74) *Attorney, Agent, or Firm*—Drinker Biddle & Reath LLP

(**) Term: **14 Years**

(57) **CLAIM**

(21) Appl. No.: **29/285,668**

The ornamental design for a digital camera, as shown and described.

(22) Filed: **Apr. 5, 2007**

DESCRIPTION

(30) **Foreign Application Priority Data**

Oct. 17, 2006 (KR) 30-2006-0041699

FIG. 1 is a perspective view of a digital camera;
FIG. 2 is a front elevational view of the digital camera;
FIG. 3 is a rear elevational view of the digital camera;
FIG. 4 is a left side elevational view of the digital camera;
FIG. 5 is a right side elevational view of the digital camera;
FIG. 6 is a top plan view of the digital camera;
FIG. 7 is a bottom plan view of the digital camera;
FIG. 8 is a rear perspective view of the digital camera;
FIG. 9 is a front perspective view of the digital camera, where a sliding display unit is in an extended position; and,
FIG. 10 is a rear perspective view of the digital camera, where the sliding display unit is in an extending position and buttons are exposed.

(51) **LOC (8) Cl.** **16-01**

(52) **U.S. Cl.** **D16/202**

(58) **Field of Classification Search** D16/200–206,
D16/208, 218–219, 211–212; 348/373–376;
358/909.1; 396/6, 535–541

See application file for complete search history.

(56) **References Cited**

U.S. PATENT DOCUMENTS

D213,806 S * 4/1969 Ikegami et al. D16/212
D224,350 S * 7/1972 Fukuda et al. D16/212
D283,427 S * 4/1986 Iguchi D16/212
5,557,356 A * 9/1996 Ishida et al. 396/6
D416,035 S * 11/1999 Hamamura D16/212
6,104,882 A * 8/2000 Inazuka 396/539
D470,523 S * 2/2003 Basmadjian et al. D16/212
D494,201 S * 8/2004 Chen D16/202

The broken lines in Figures are for illustrative purposes only and form no part of the claimed design.

1 Claim, 6 Drawing Sheets

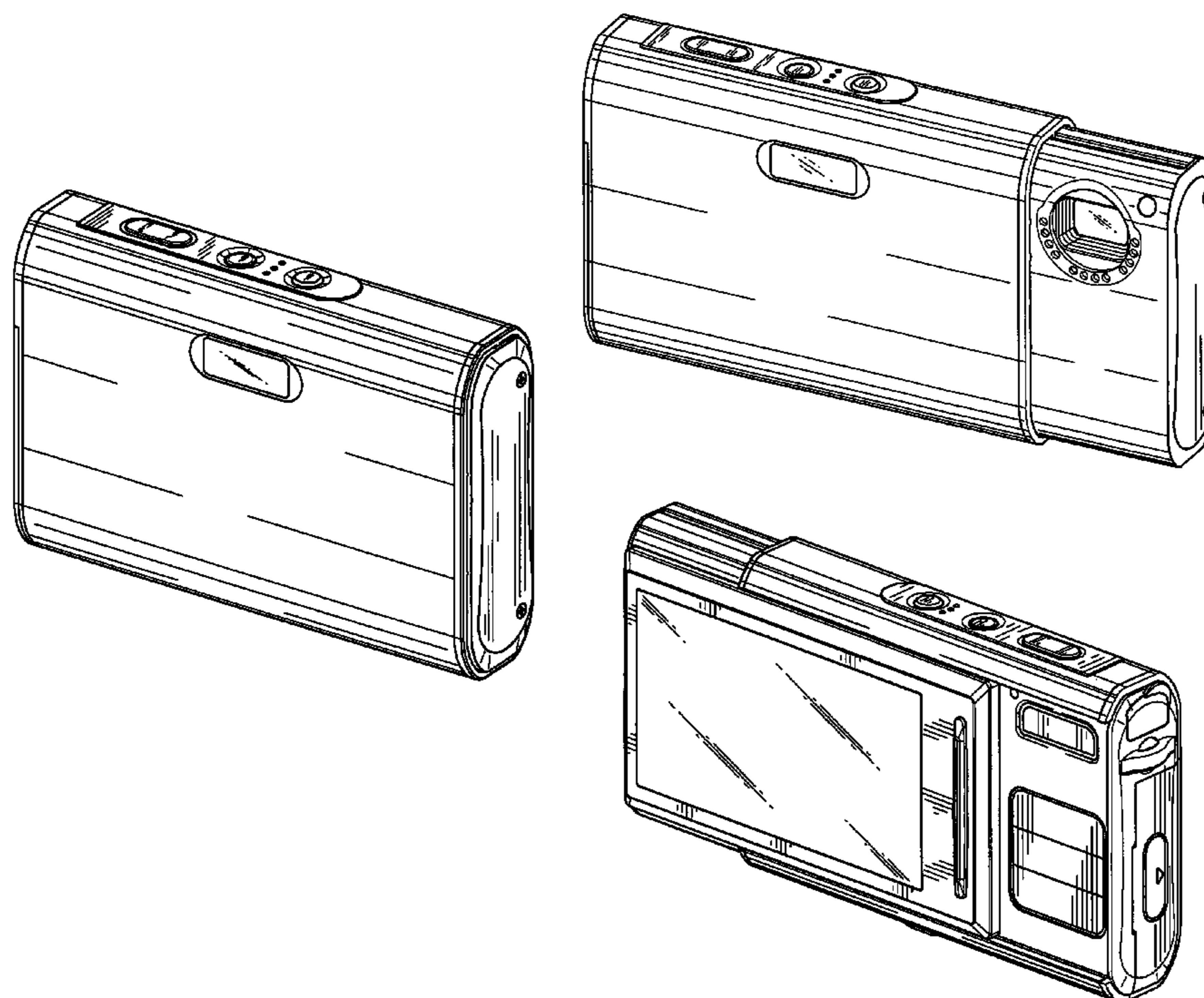


FIG. 1

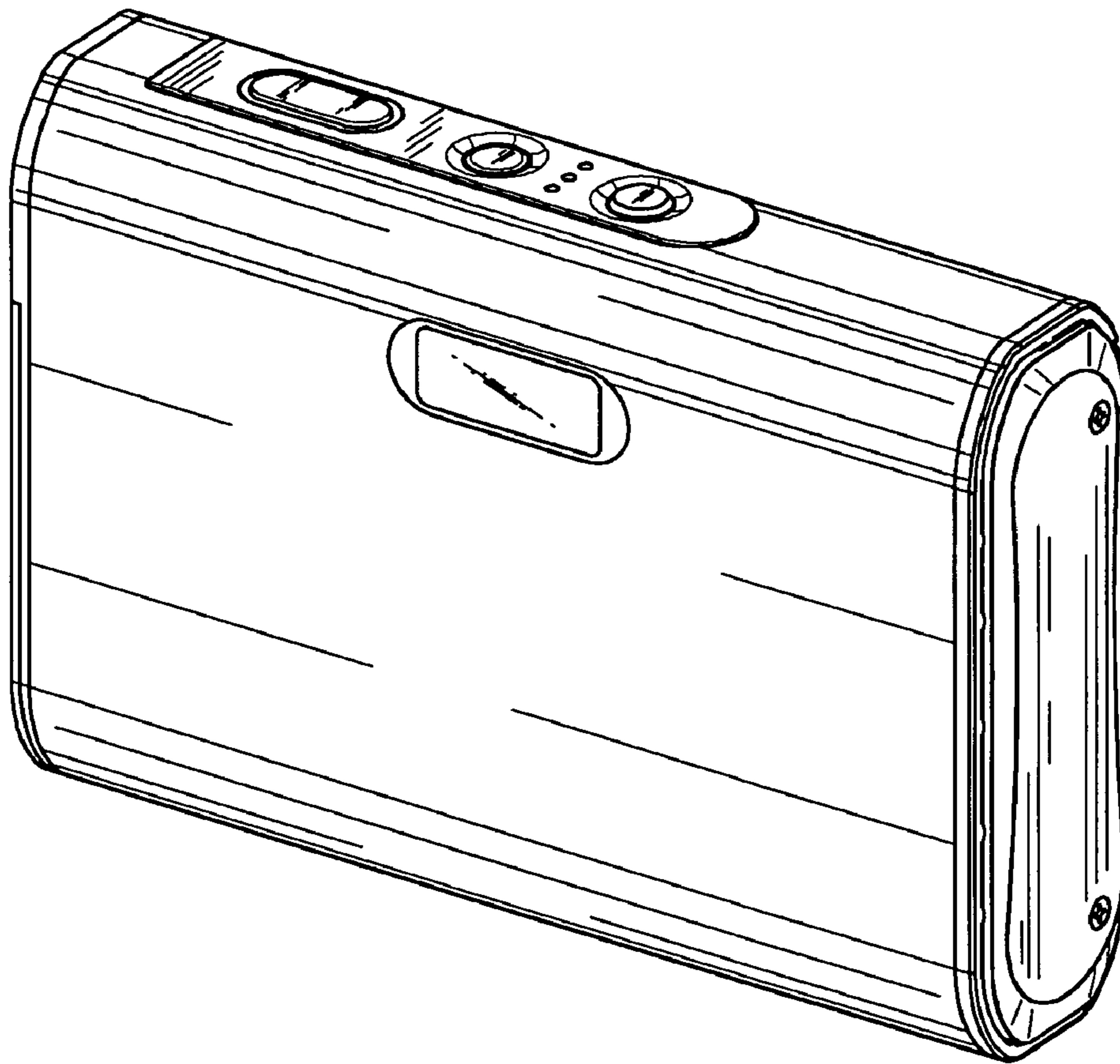


FIG. 2

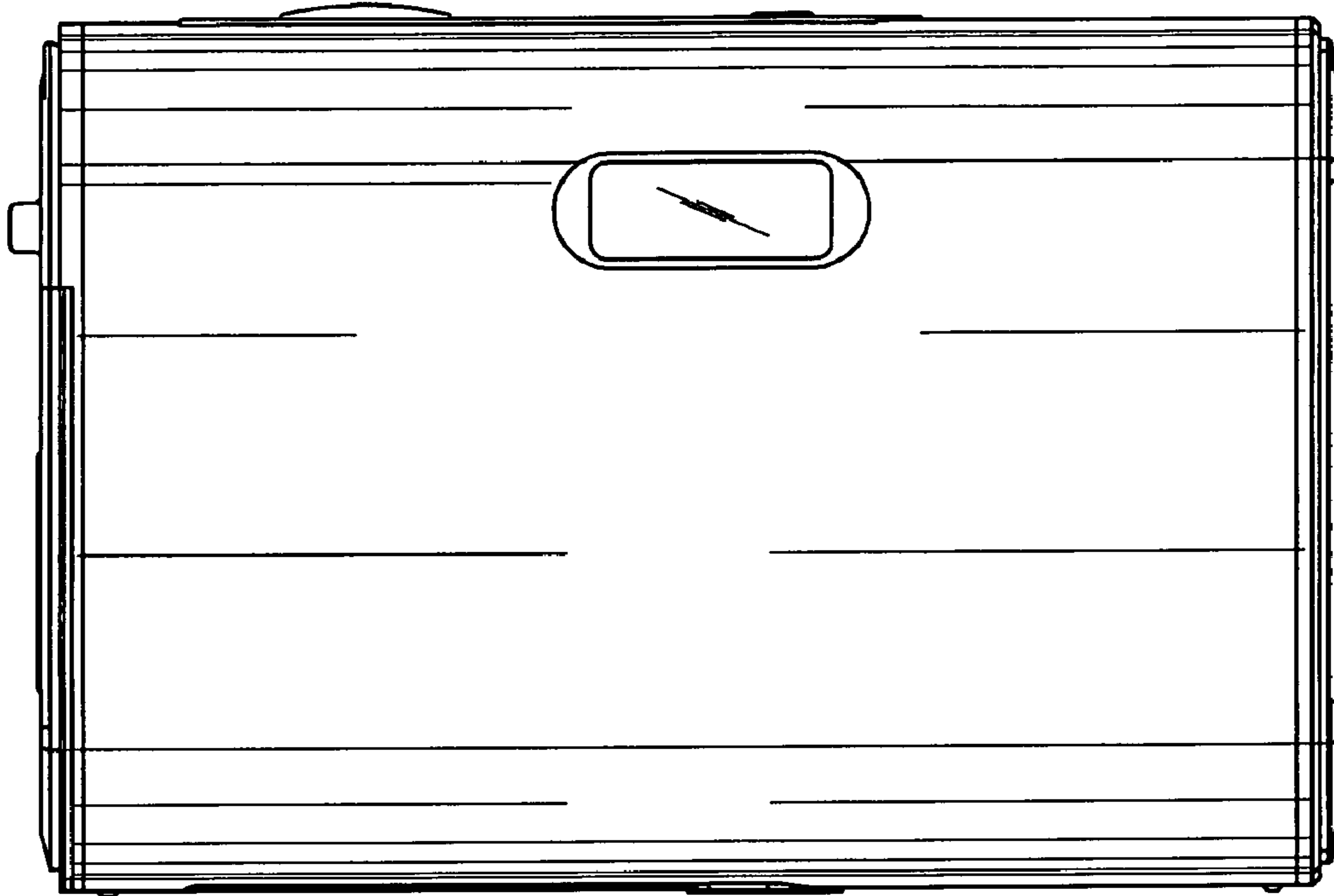


FIG. 3

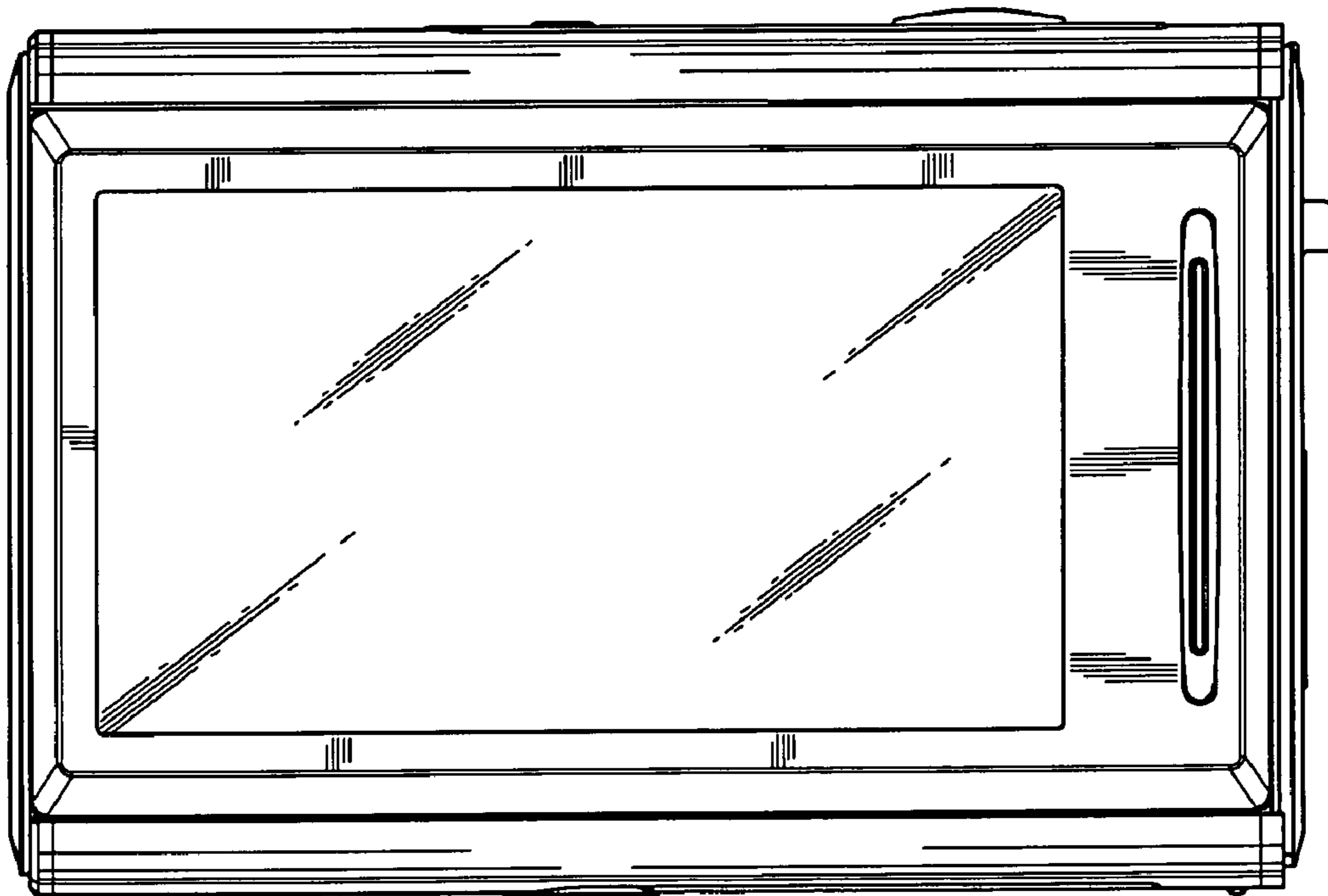


FIG. 4

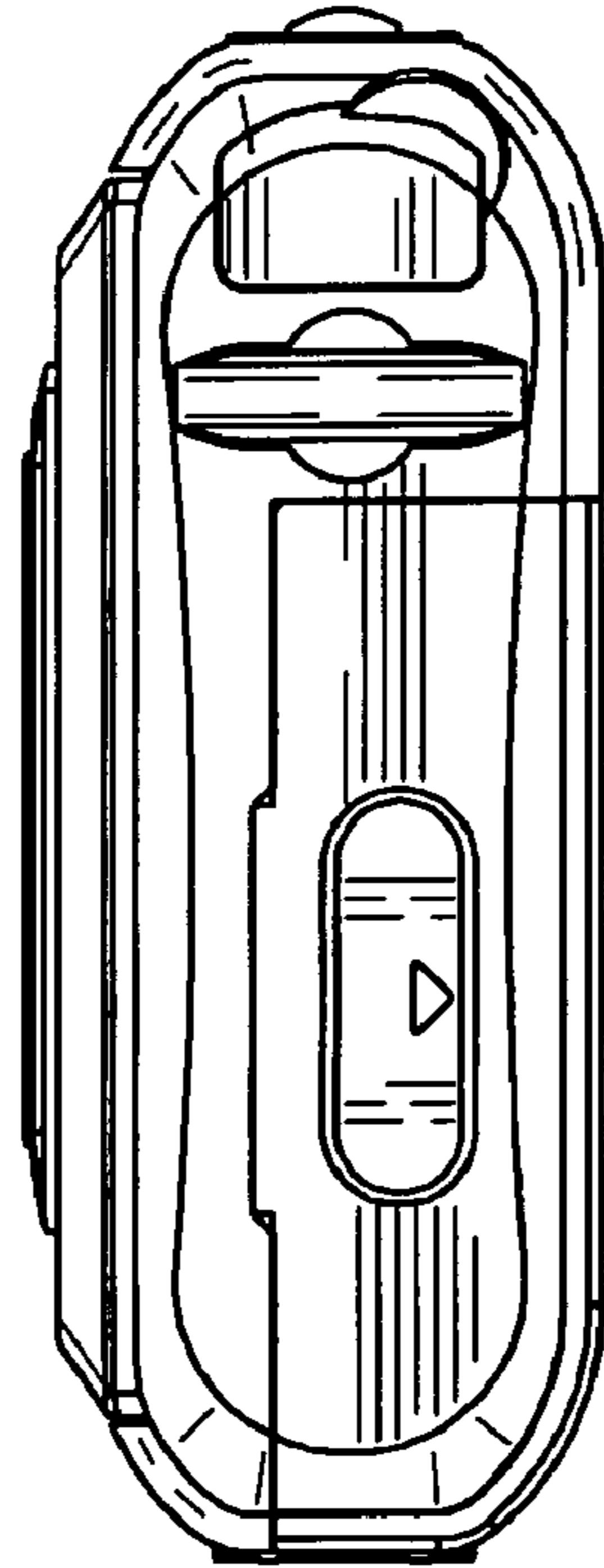


FIG. 5

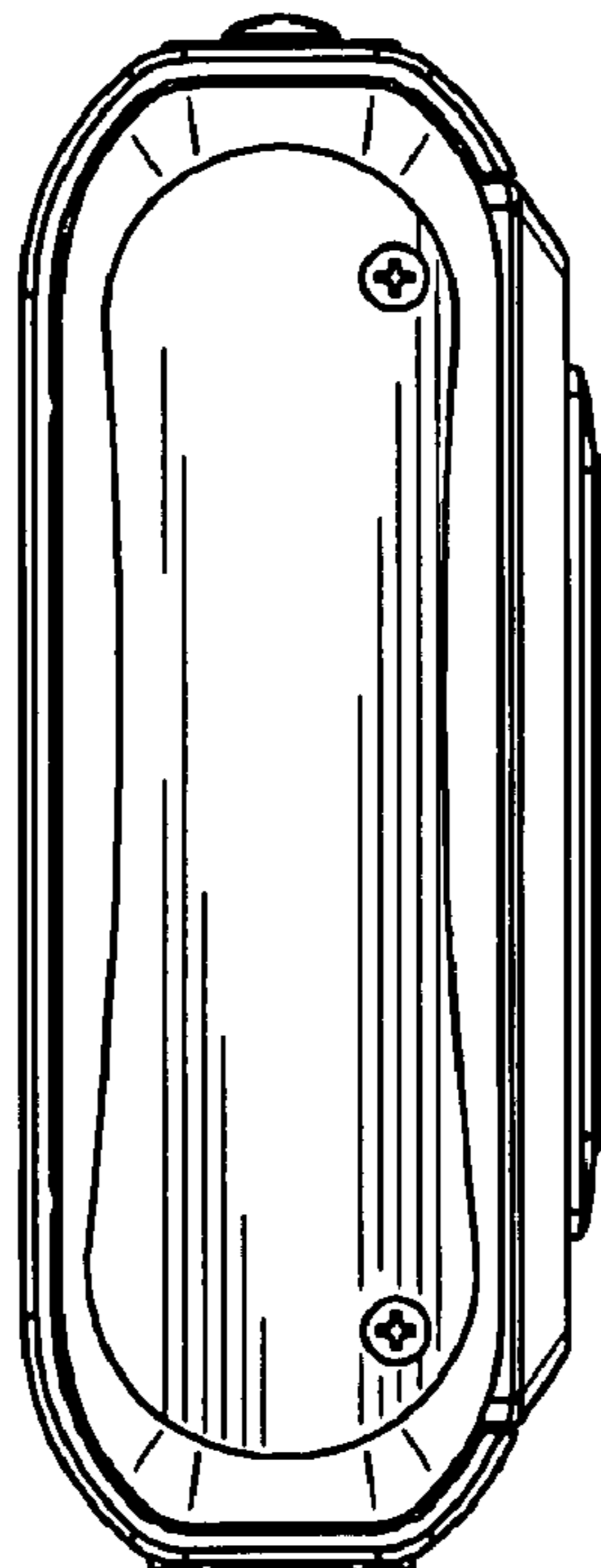


FIG. 6

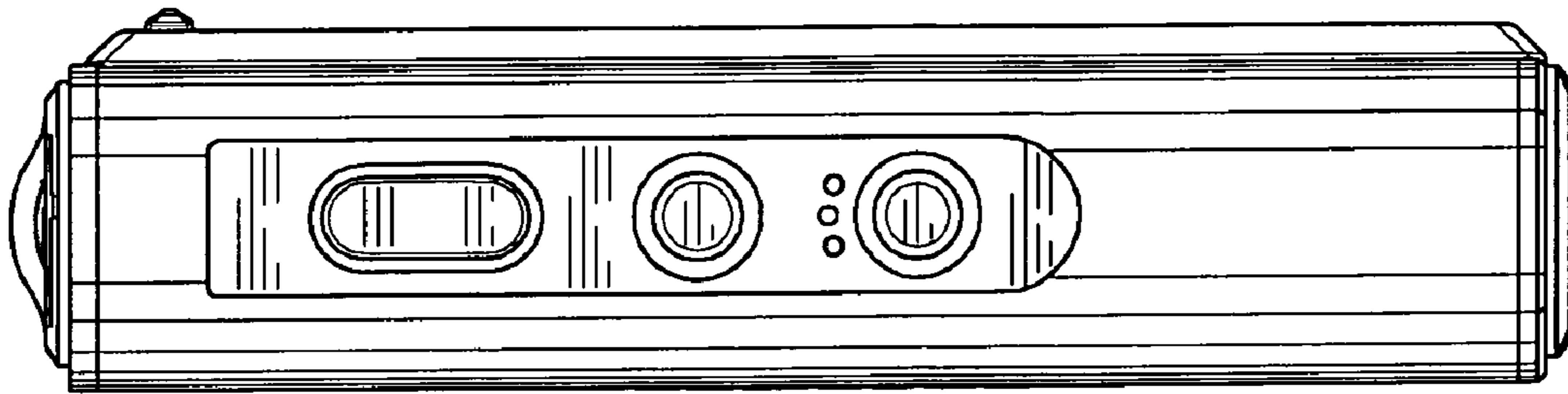


FIG. 7

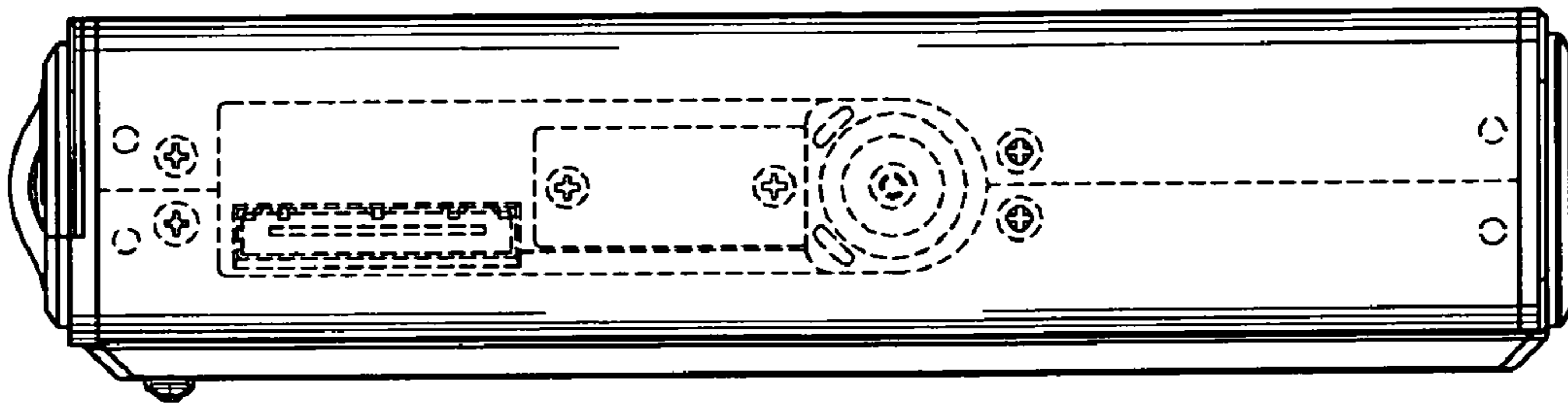


FIG. 8

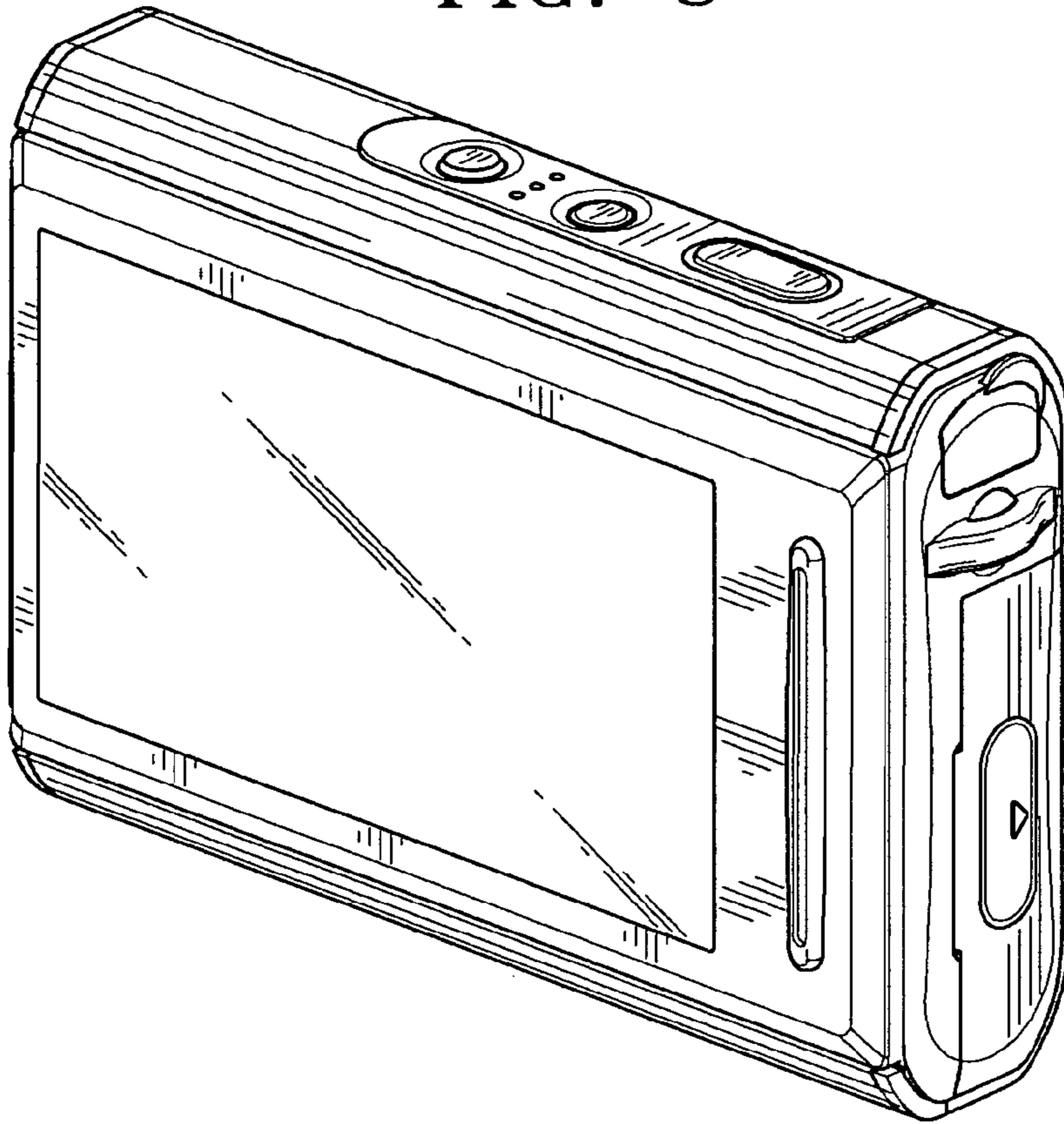


FIG. 9

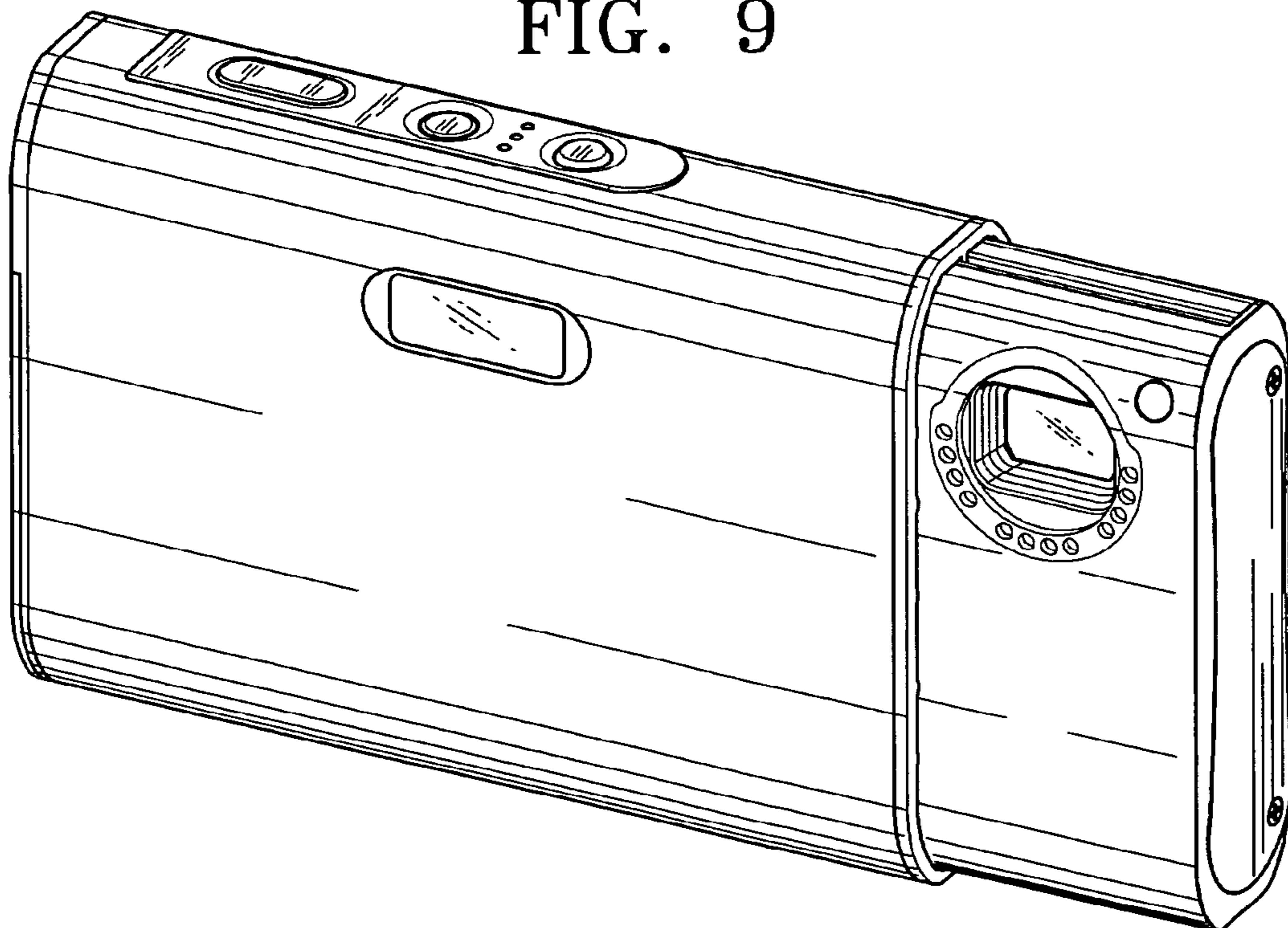


FIG. 10

