



US00D571843S

(12) **United States Design Patent**  
**Lee et al.**

(10) **Patent No.:** **US D571,843 S**  
(45) **Date of Patent:** **\*\* Jun. 24, 2008**

(54) **DIGITAL CAMERA**

(75) Inventors: **Eun-kyung Lee**, Seoul (KR);  
**Seung-seup Yoo**, Seoul (KR); **Sung-hwa Chang**, Seoul (KR)

(73) Assignee: **Samsung Techwin Co., Ltd.**, Changwon (KR)

(\*\*) Term: **14 Years**

(21) Appl. No.: **29/285,660**

(22) Filed: **Apr. 5, 2007**

(30) **Foreign Application Priority Data**

Oct. 17, 2006 (KR) ..... 30-2006-0041700

(51) **LOC (8) Cl.** ..... **16-01**

(52) **U.S. Cl.** ..... **D16/202**

(58) **Field of Classification Search** ..... D16/200–206,  
D16/208–209, 218; 348/231.6, 231.7, 373–376;  
358/909.1; 396/271, 268, 373, 378, 381,  
396/383, 535–541, 6, 173

See application file for complete search history.

(56) **References Cited**

**U.S. PATENT DOCUMENTS**

D414,793 S *	10/1999	Kawahata et al.	.....	D16/202
D416,270 S *	11/1999	Harata	.....	D16/202
6,459,857 B2 *	10/2002	Kawamura et al.	.....	396/374
D471,220 S *	3/2003	Hamamura	.....	D16/202
D489,385 S *	5/2004	Lin	.....	D16/202
D494,200 S *	8/2004	Hayamizu	.....	D16/202
D545,859 S *	7/2007	Lee	.....	D16/202

D546,854 S \* 7/2007 Hayashi ..... D16/202  
D552,646 S \* 10/2007 Bai ..... D16/202

\* cited by examiner

*Primary Examiner*—Ian Simmons

*Assistant Examiner*—Wan Laymon

(74) *Attorney, Agent, or Firm*—Drinker Biddle & Reath LLP

(57) **CLAIM**

The ornamental design for a digital camera, as shown and described.

**DESCRIPTION**

FIG. 1 is a perspective view of a digital camera;  
 FIG. 2 is a front elevational view of the digital camera;  
 FIG. 3 is a rear elevational view of the digital camera;  
 FIG. 4 is a left side elevational view of the digital camera;  
 FIG. 5 is a right side elevational view of the digital camera;  
 FIG. 6 is a top plan view of the digital camera;  
 FIG. 7 is a bottom plan view of the digital camera;  
 FIG. 8 is a rear perspective view of the digital camera;  
 FIG. 9 is a front perspective view of the digital camera, where the display unit is rotated by 90°;  
 FIG. 10 is a rear perspective view of the digital camera, where the display unit is rotated by 90° and buttons are exposed; and,  
 FIG. 11 is a rear perspective view of the digital camera, where the display unit is rotated by 180° and buttons are exposed.

The broken lines in Figures are for illustrative purposes only and form no part of the claimed design.

**1 Claim, 8 Drawing Sheets**

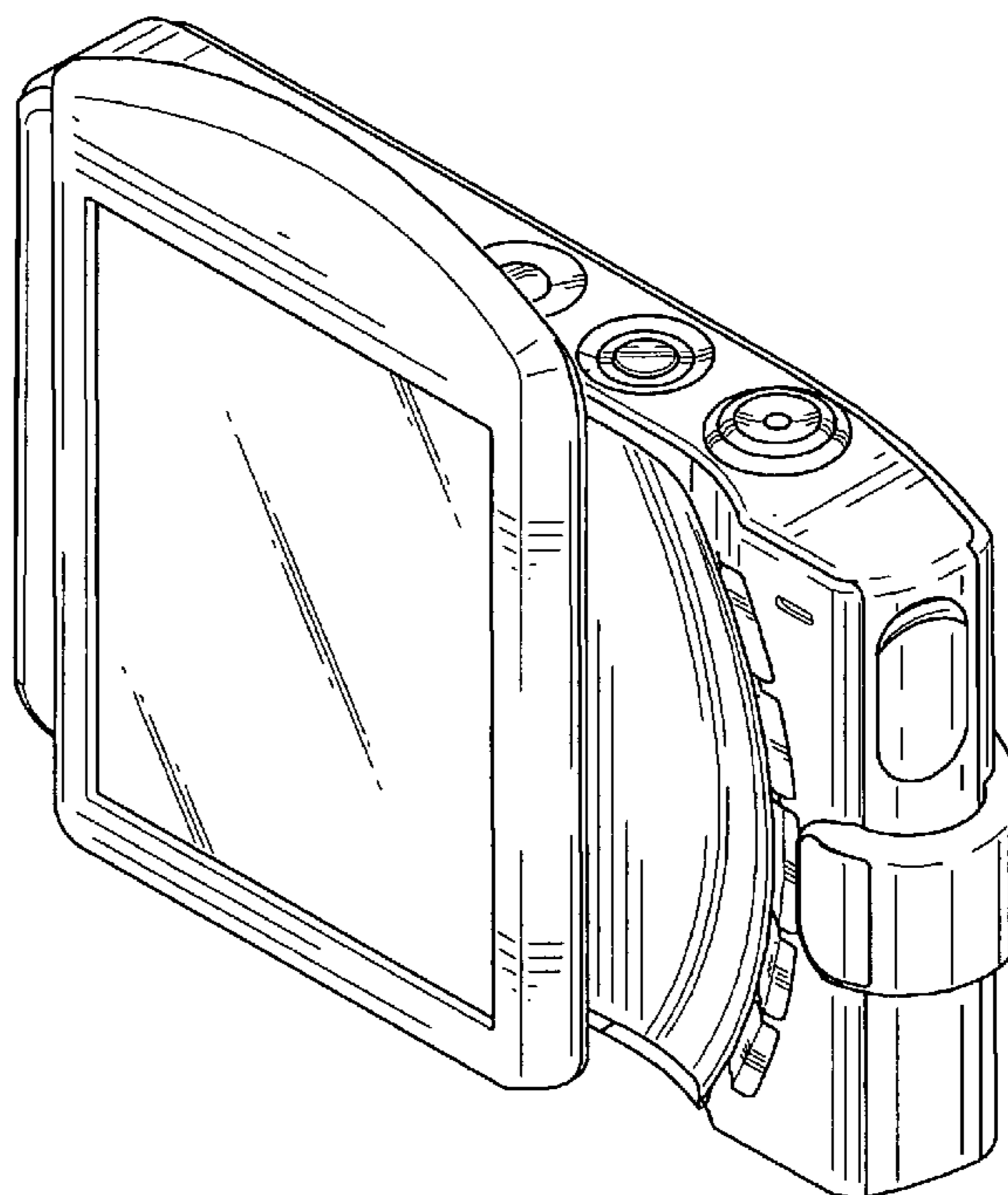
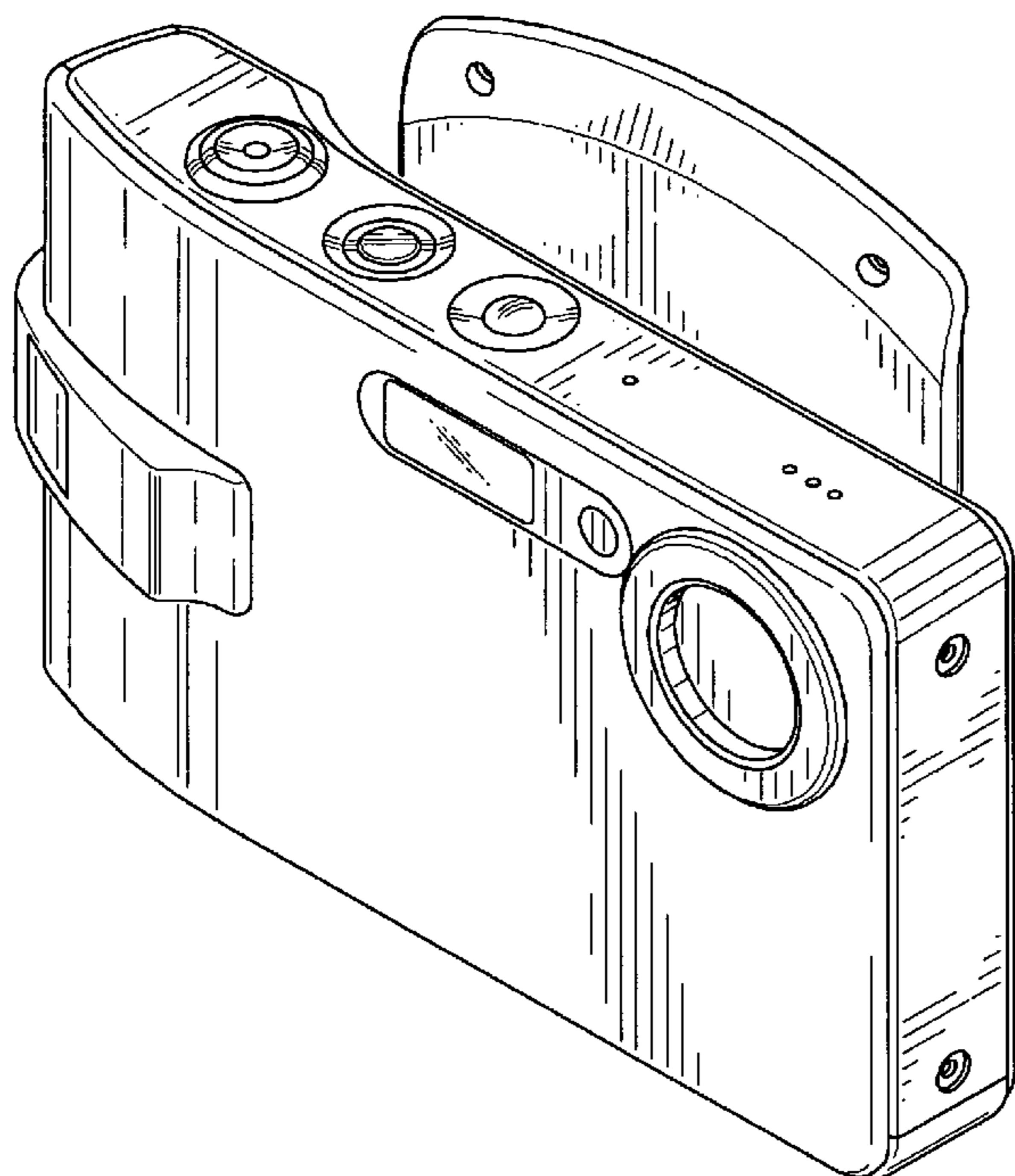


FIG. 1

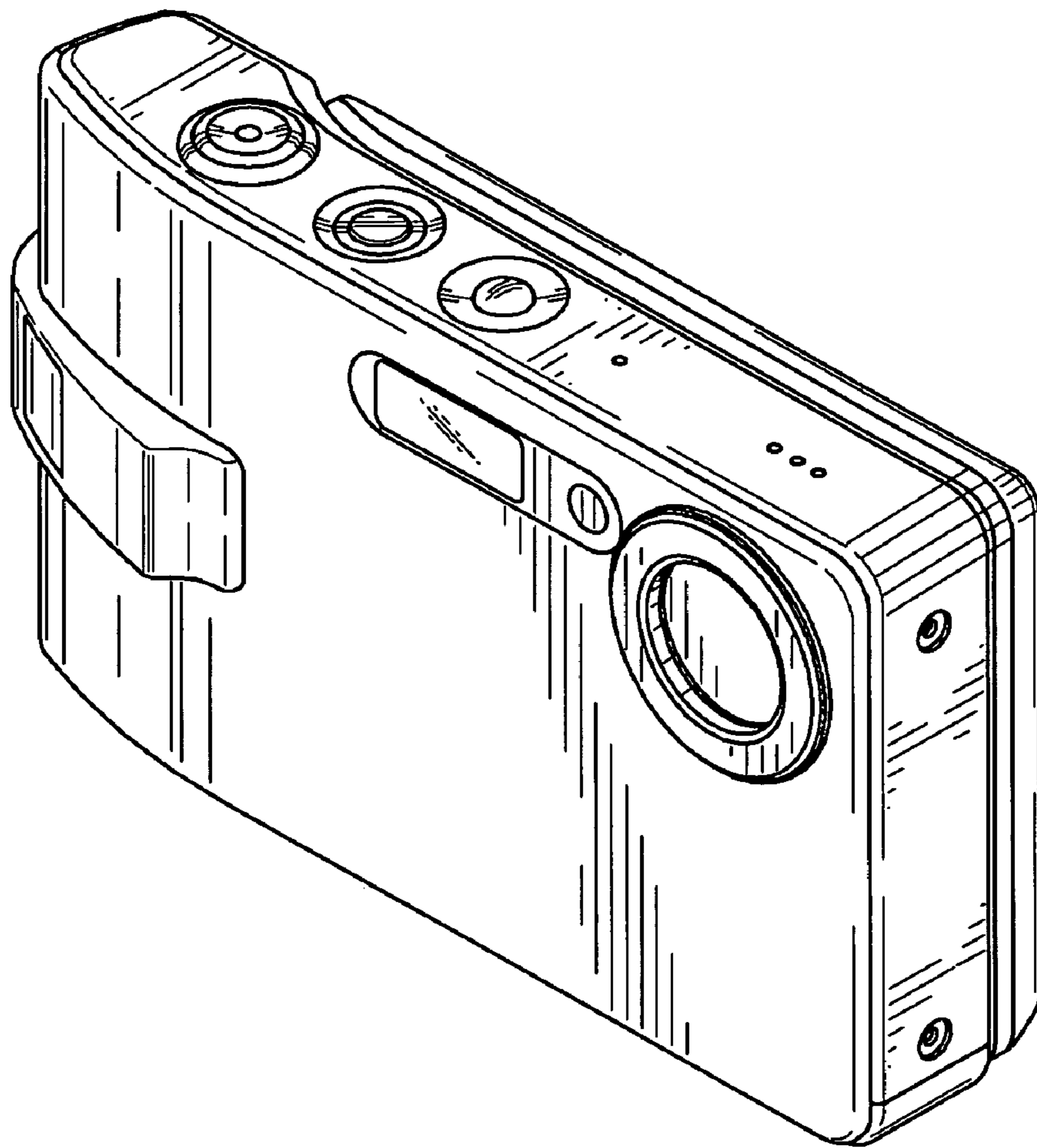


FIG. 2

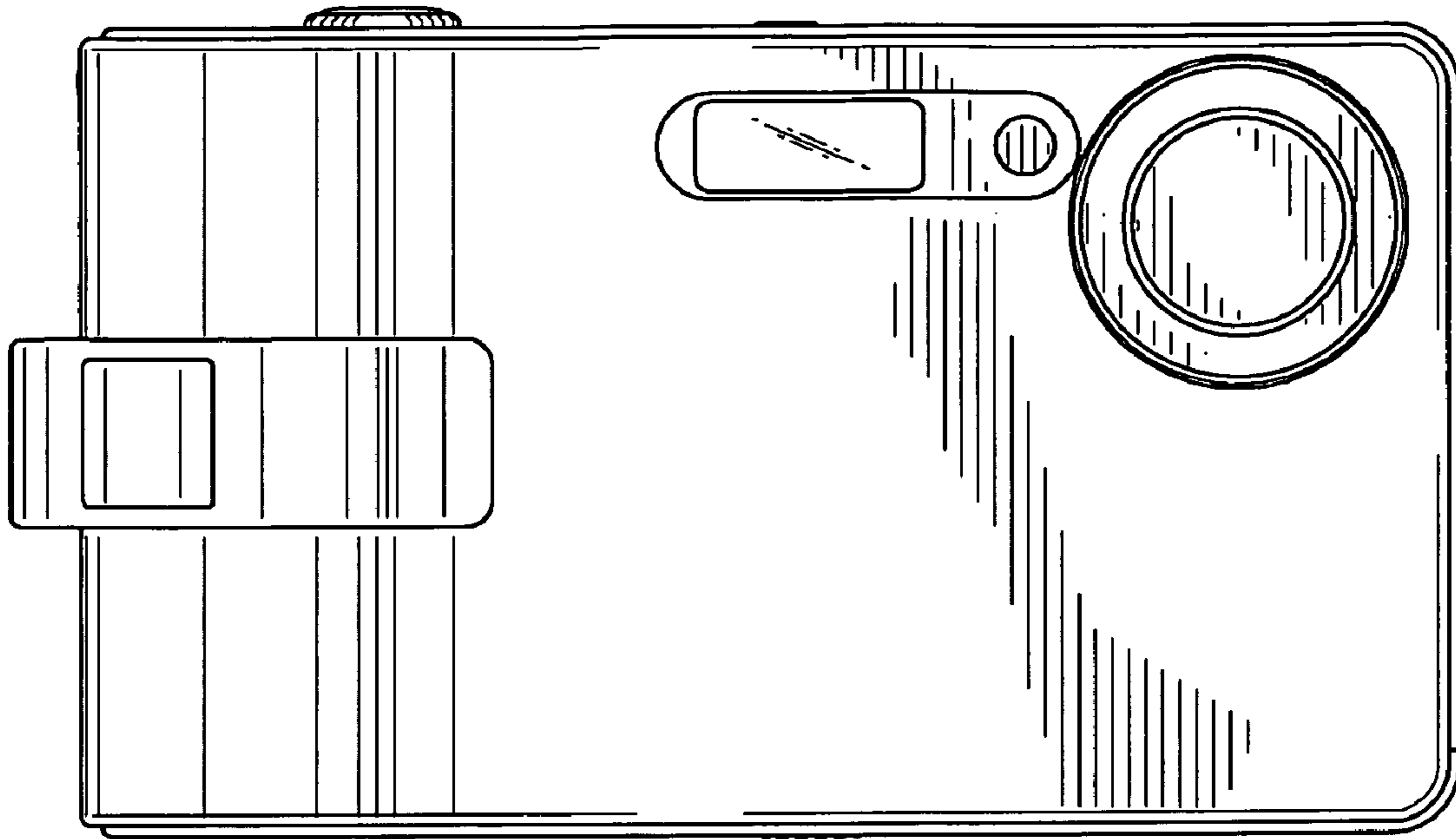


FIG. 3

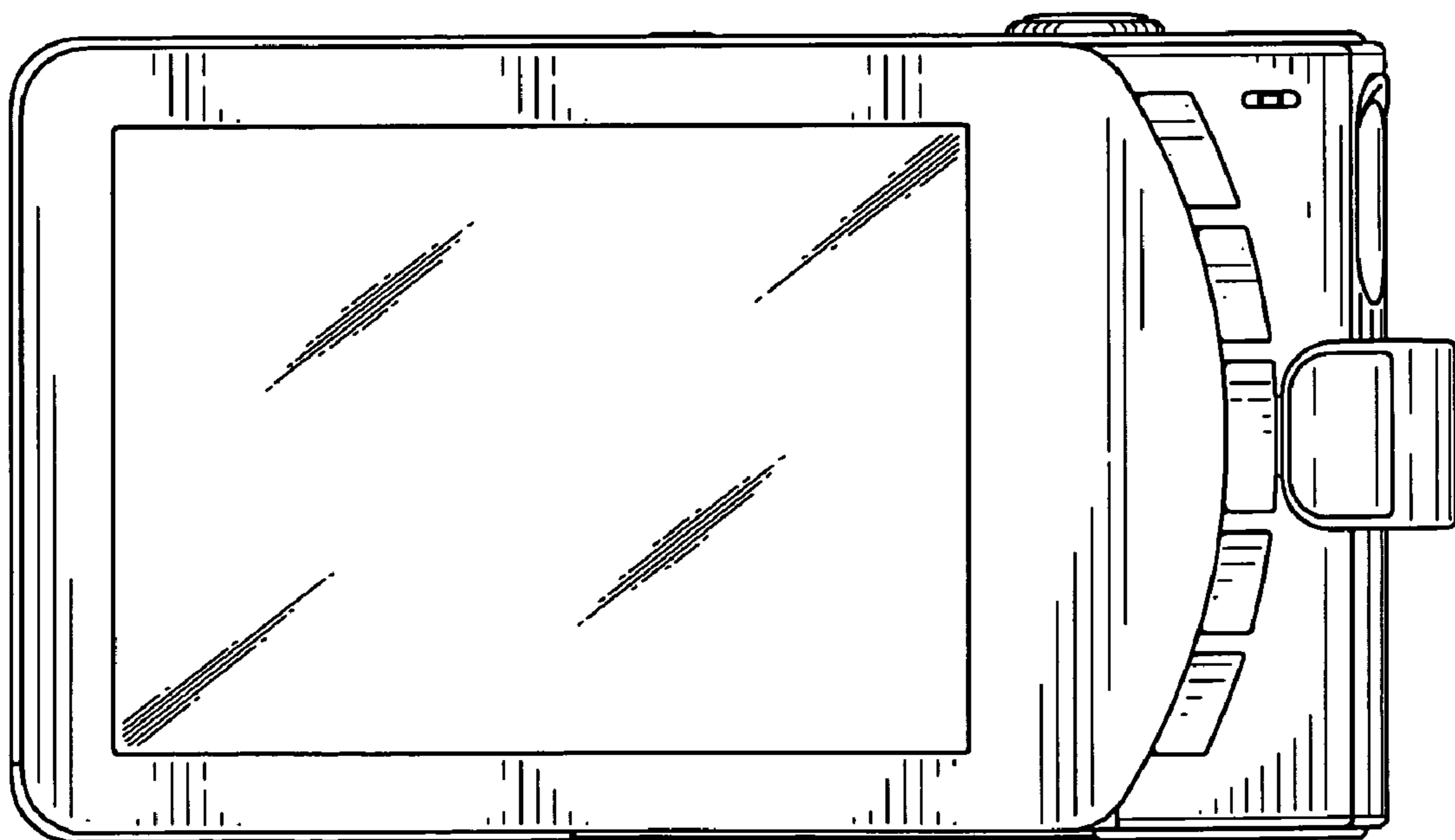


FIG. 4

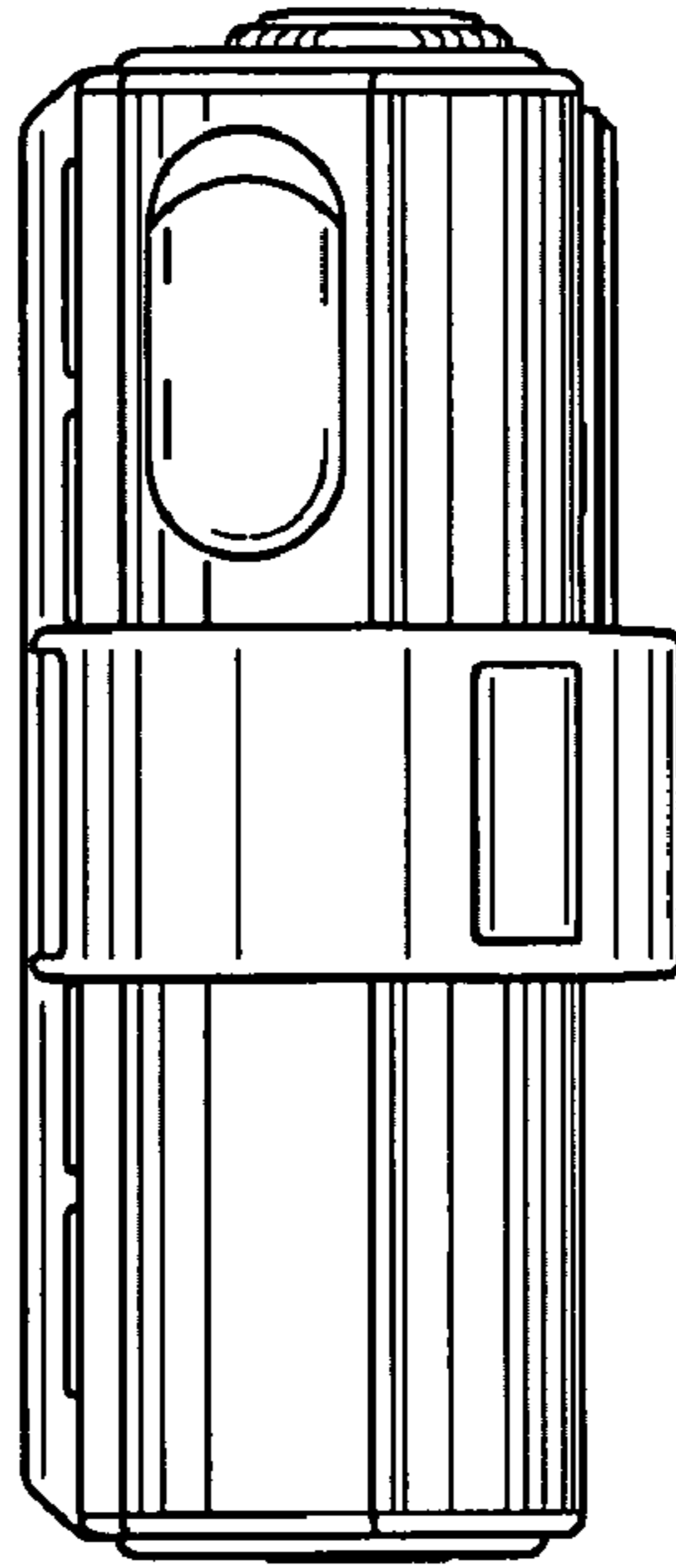


FIG. 5

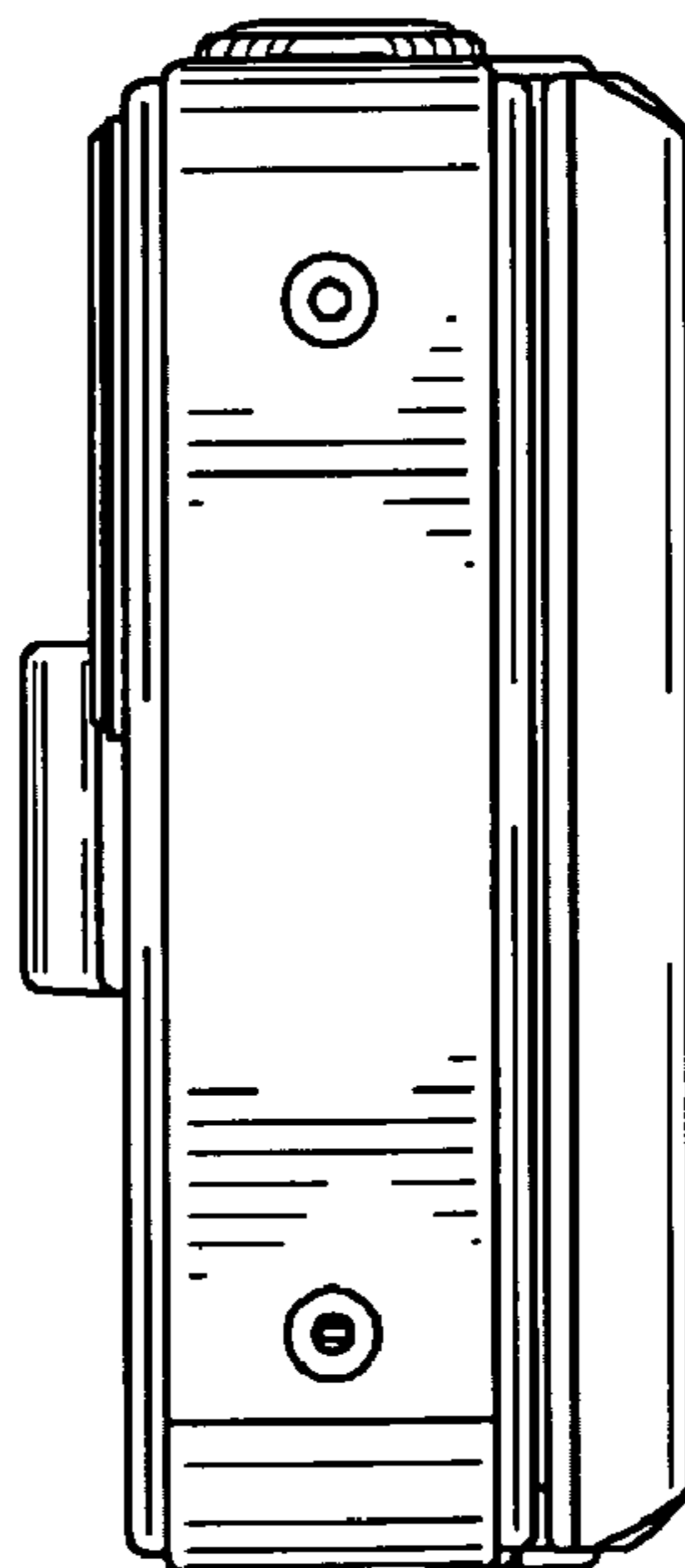


FIG. 6

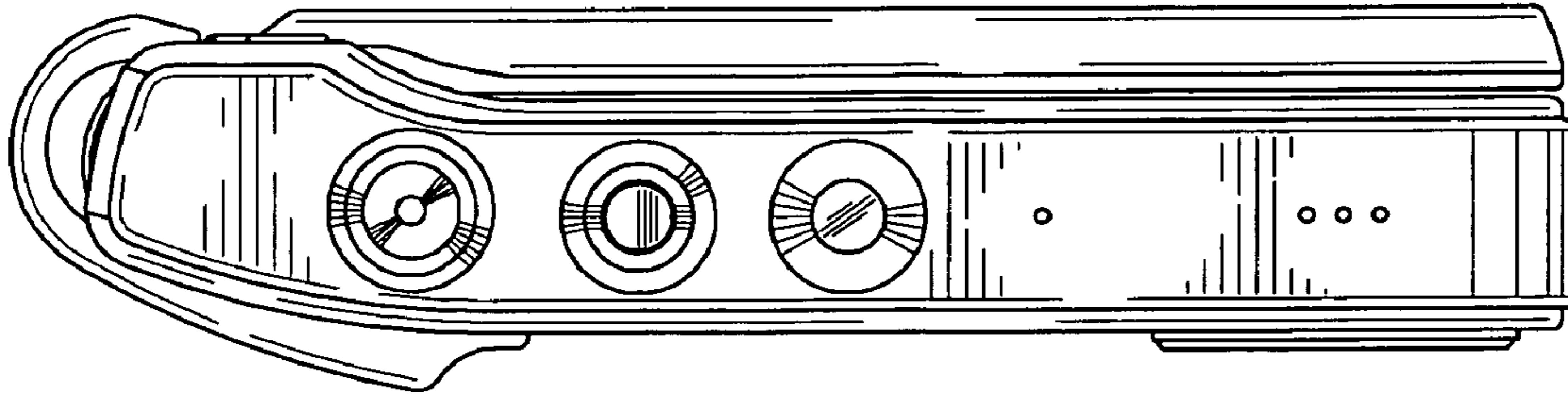


FIG. 7

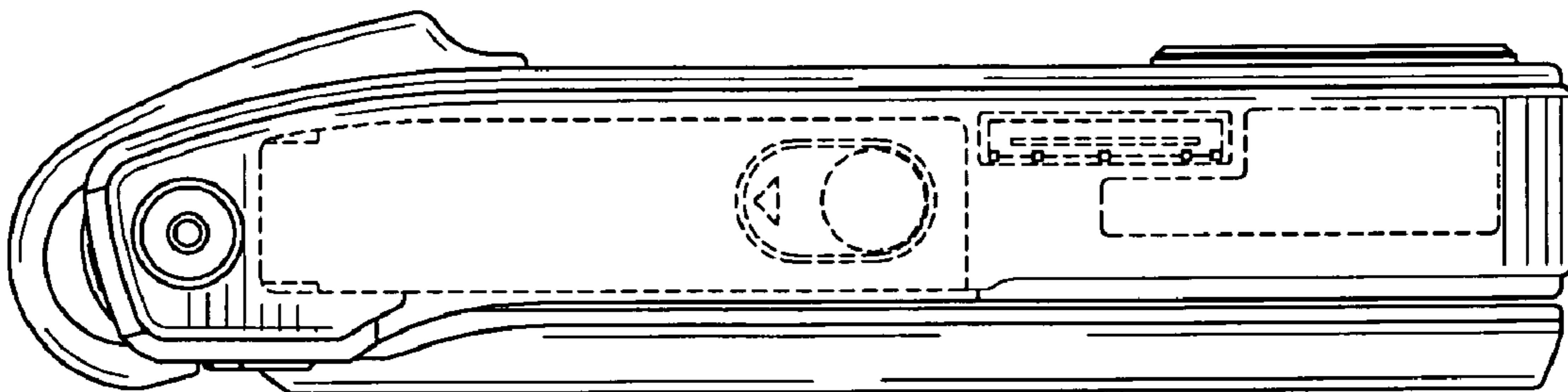


FIG. 8

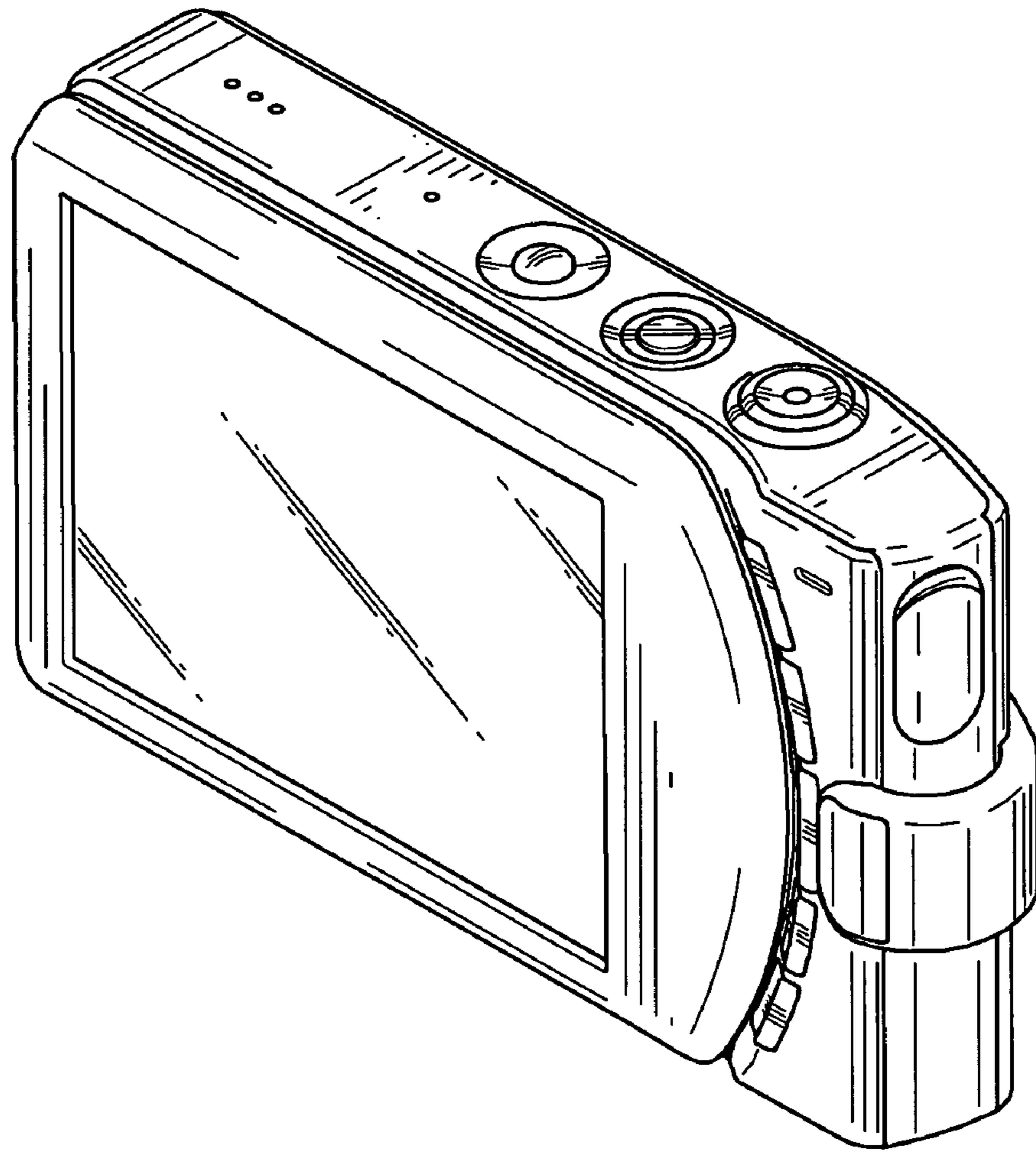


FIG. 9

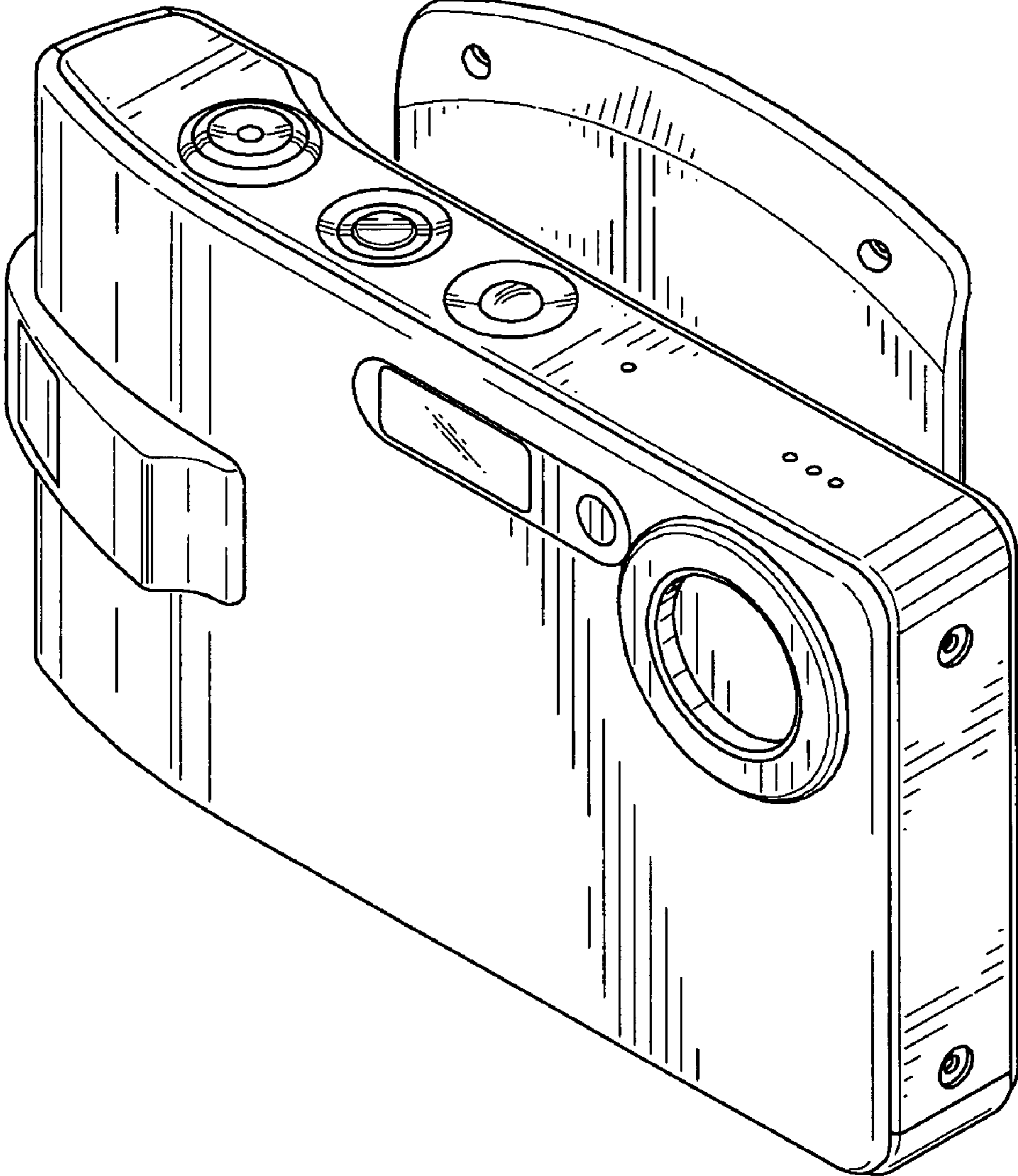


FIG. 10

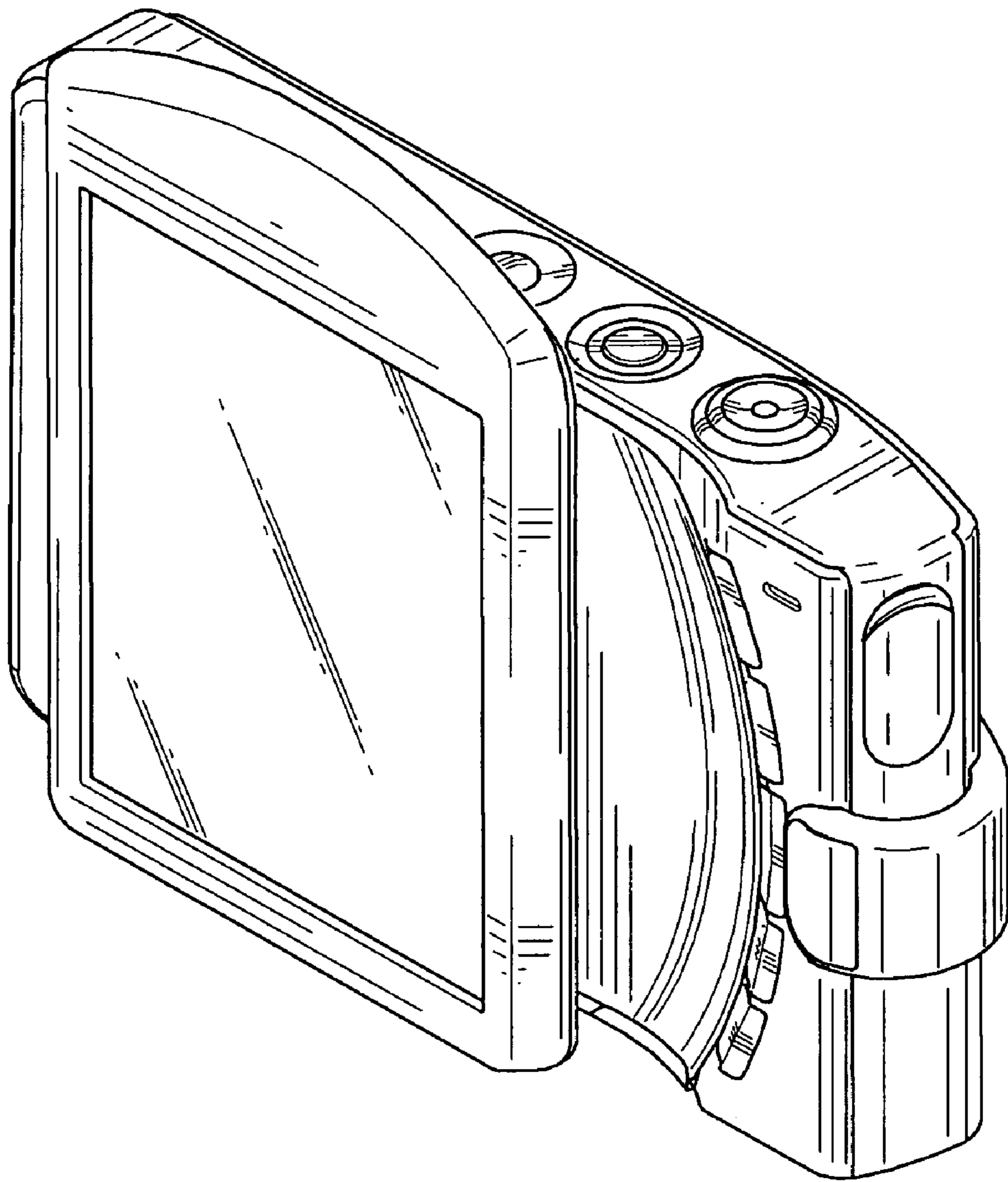




FIG. 11

