



US00D571839S

(12) **United States Design Patent**  
**Andresen**

(10) **Patent No.:** **US D571,839 S**  
(45) **Date of Patent:** **\*\* Jun. 24, 2008**

(54) **CAMERA FOR A VIDEOCONFERENCE**

(75) Inventor: **Simen Andresen**, Eiksmarka (NO)

(73) Assignee: **Tandberg Telecom AS**, Lysaker (NO)

(\*\*) Term: **14 Years**

(21) Appl. No.: **29/273,126**

(22) Filed: **Feb. 27, 2007**

(30) **Foreign Application Priority Data**

Oct. 19, 2006 (NO) ..... 20060530

(51) **LOC (8) Cl.** ..... **16-01**

(52) **U.S. Cl.** ..... **D16/202**

(58) **Field of Classification Search** ..... D16/200–205,  
D16/208, 218; 348/14.01–14.1, 373–376;  
358/906, 909.1; 396/535–541, 428  
See application file for complete search history.

(56) **References Cited**

**U.S. PATENT DOCUMENTS**

- D394,255 S \* 5/1998 Napoleone et al. .... D14/496
- D400,549 S \* 11/1998 Wakefield ..... D16/202
- D433,431 S \* 11/2000 Uehara et al. .... D16/202
- 6,437,826 B1 \* 8/2002 Arnold ..... 348/373
- D471,219 S \* 3/2003 Hovanky et al. .... D16/202
- D476,345 S \* 6/2003 Phelps et al. .... D16/202

- D497,925 S \* 11/2004 Zhang et al. .... D16/202
- D509,842 S \* 9/2005 Ou ..... D16/202
- D545,858 S \* 7/2007 Li ..... D16/202
- D562,372 S \* 2/2008 Takahashi ..... D16/202
- 2006/0104633 A1 \* 5/2006 Kenoyer et al. .... 396/428

\* cited by examiner

*Primary Examiner*—Adir Aronovich

(74) *Attorney, Agent, or Firm*—Oblon, Spivak, McClelland,  
Maier & Neustadt, P.C.

(57) **CLAIM**

The ornamental design for a camera for a videoconference, as shown and described.

**DESCRIPTION**

FIG. 1 is a front perspective view of a camera for a videoconference.

FIG. 2 is a front view of the camera for a video conference.

FIG. 3 is a rear view of the camera for a video conference.

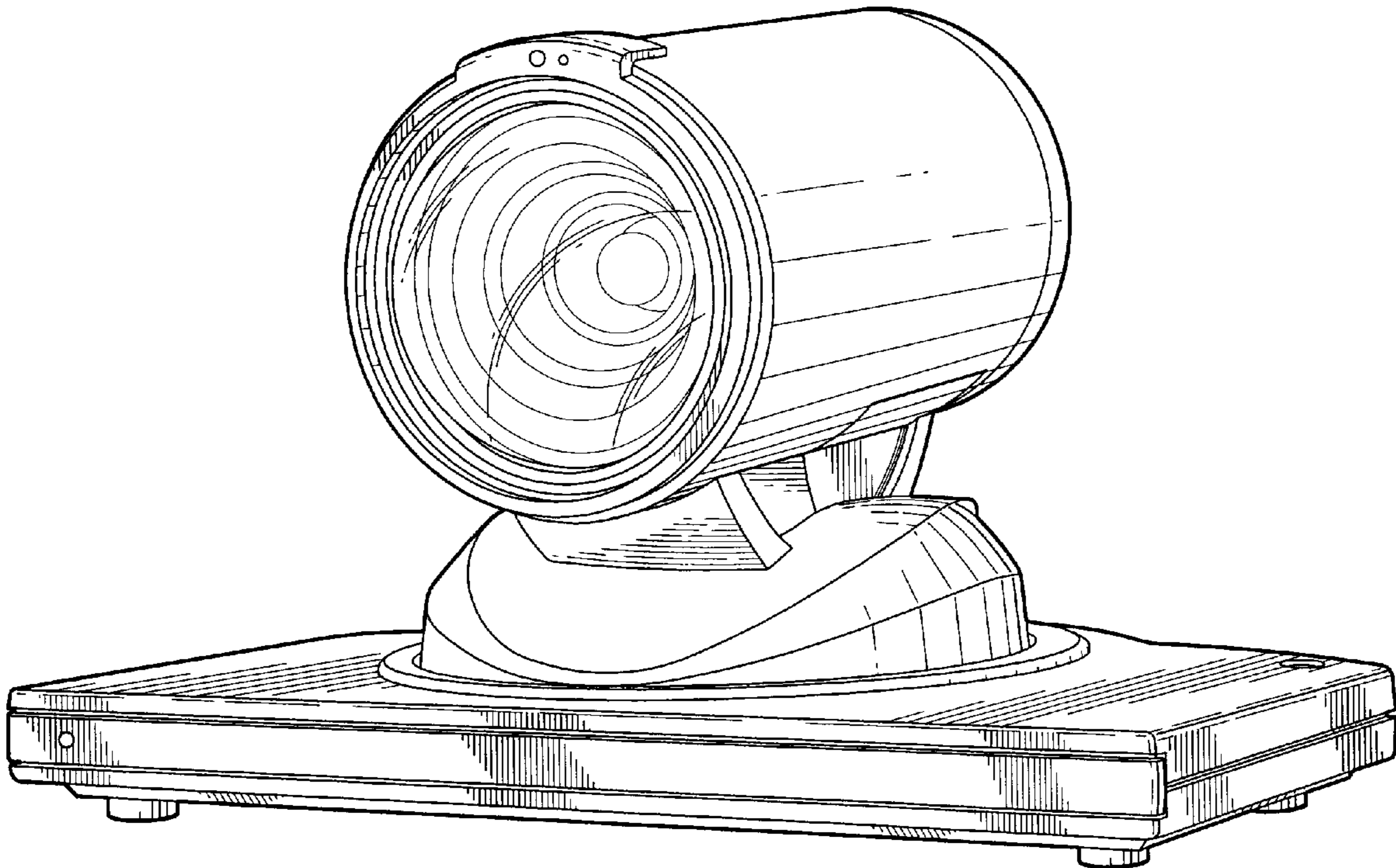
FIG. 4 is a right side view of the camera for a video conference.

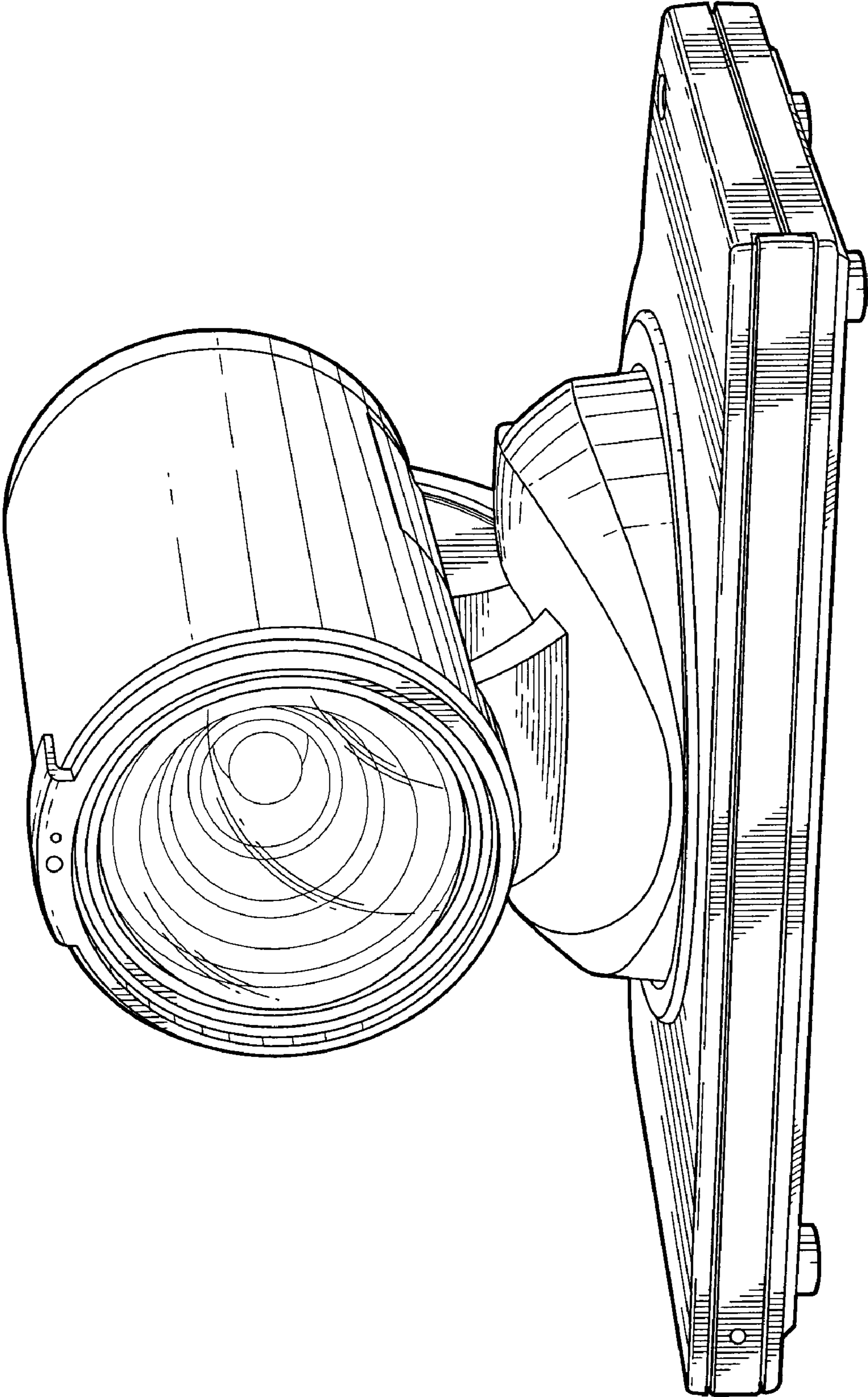
FIG. 5 is a left side view of the camera for a video conference.

FIG. 6 is a top view of the camera for a video conference; and,

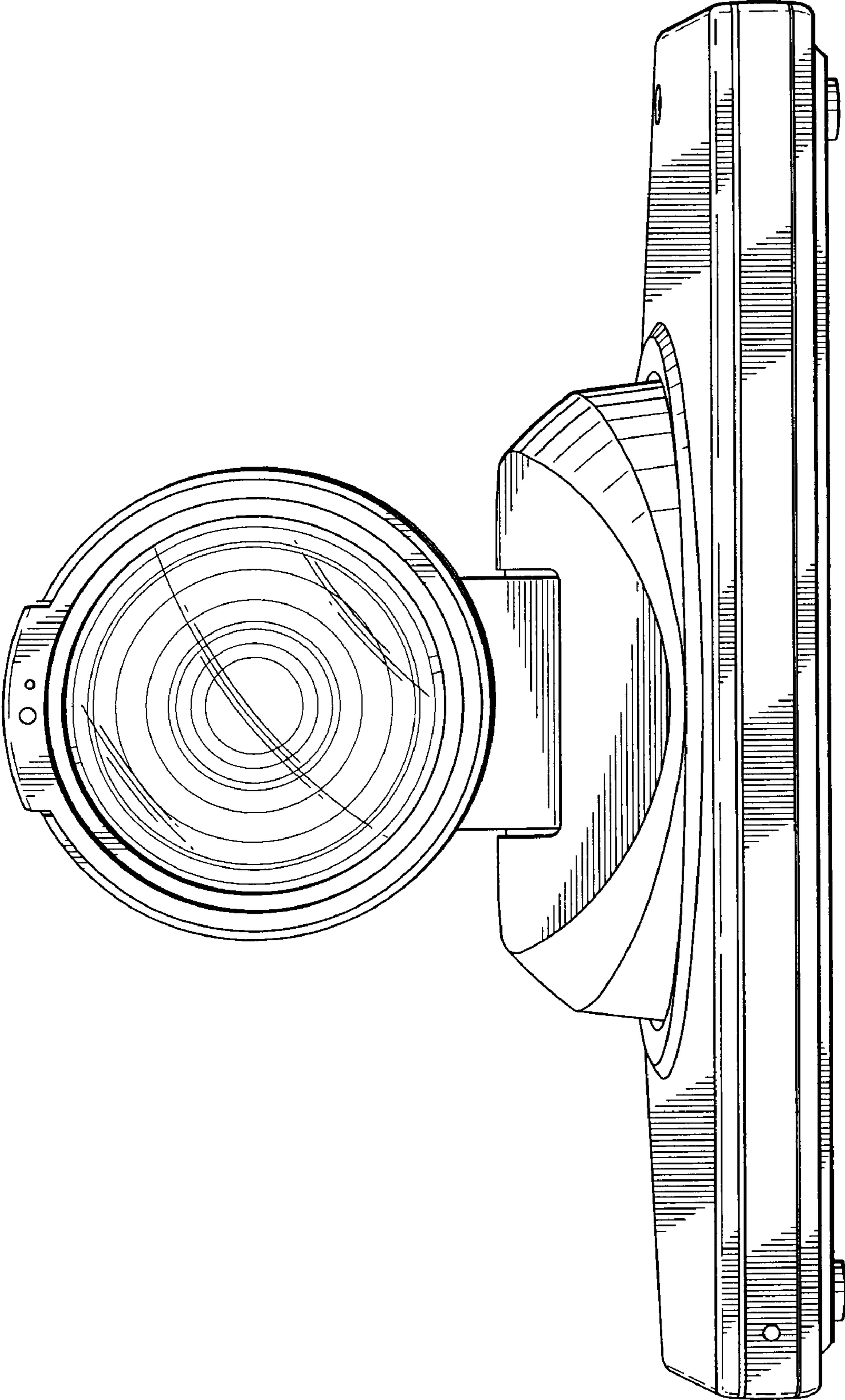
FIG. 7 is a bottom view of the camera for a video conference.

**1 Claim, 7 Drawing Sheets**

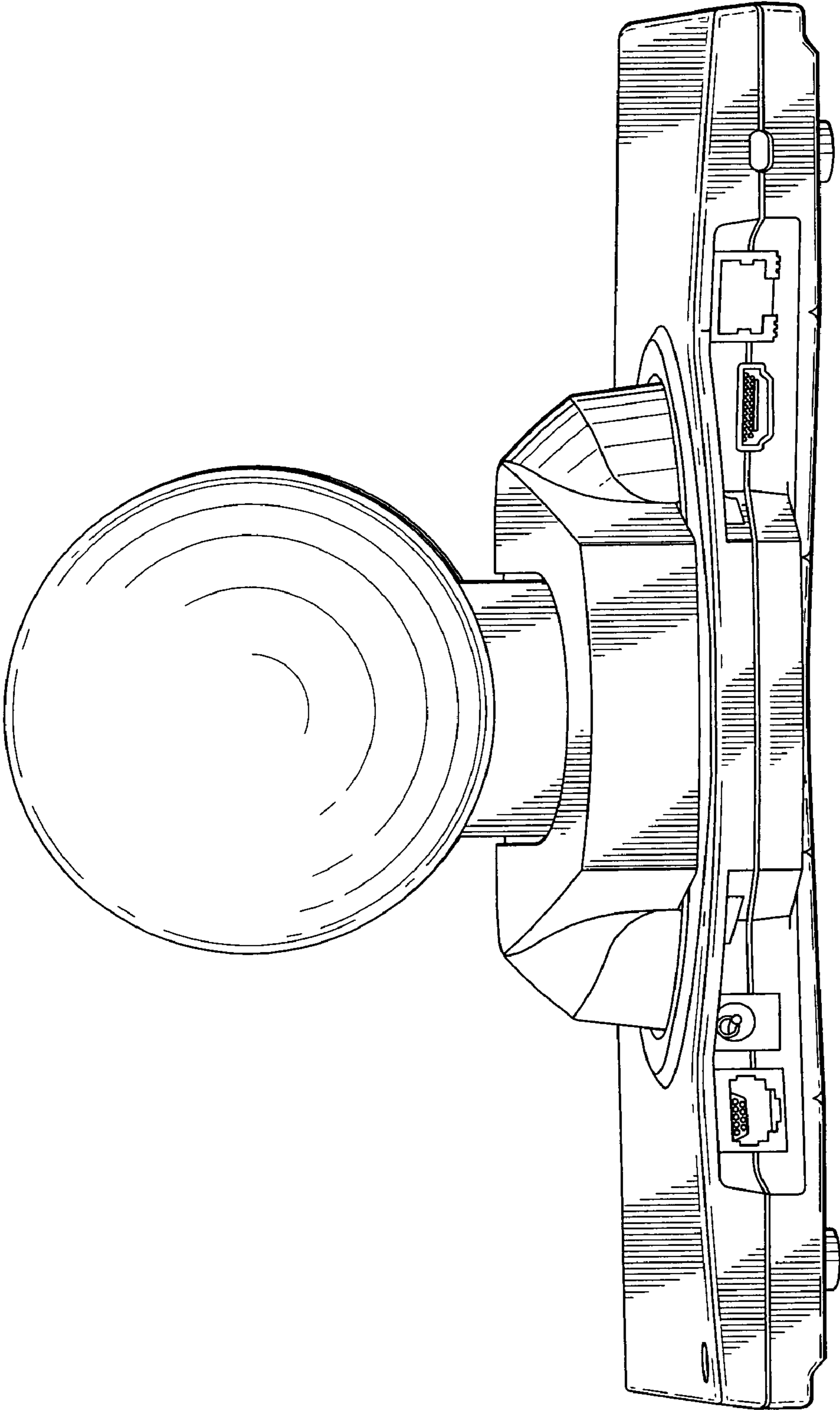




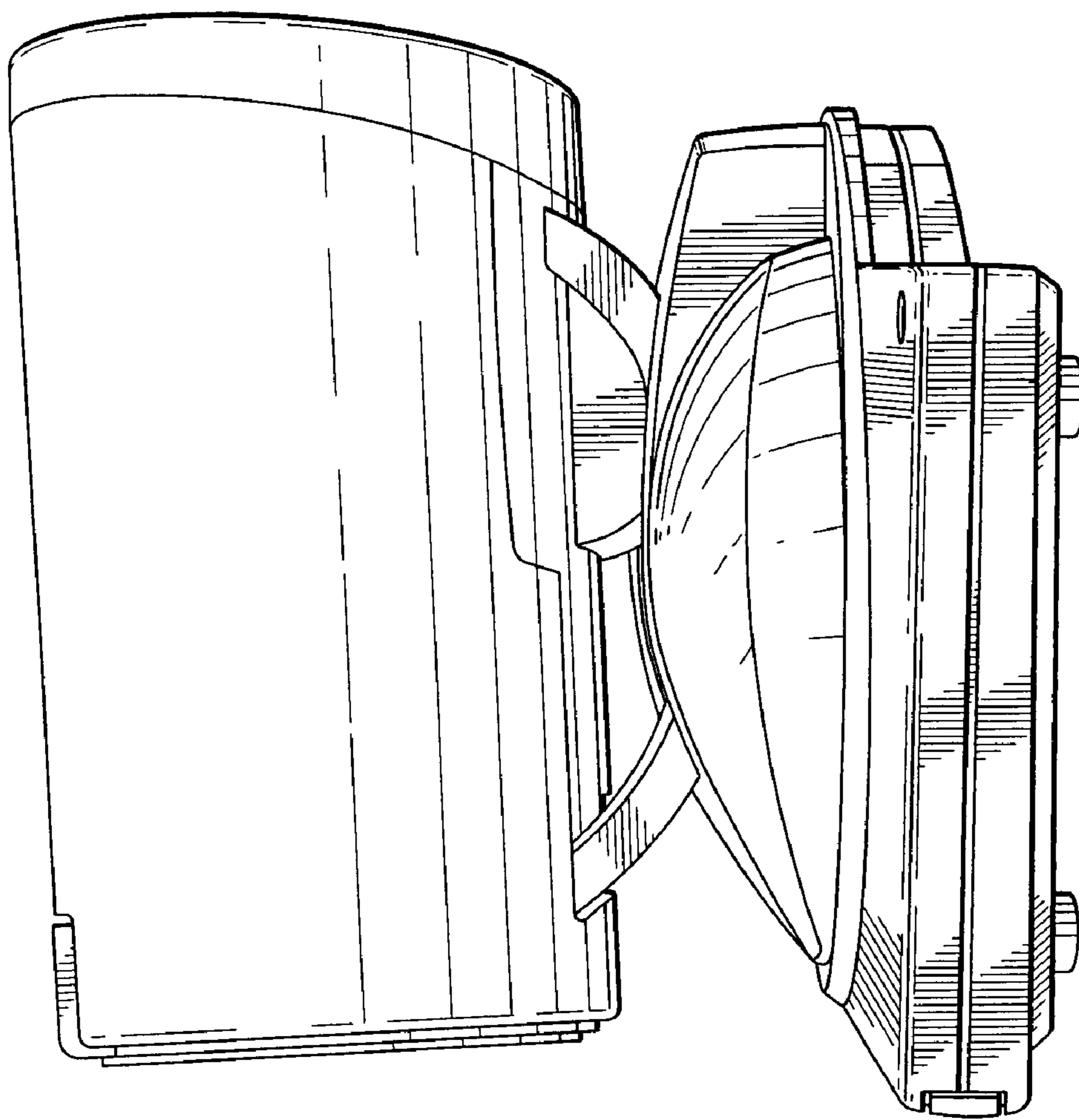
**Fig. 1**



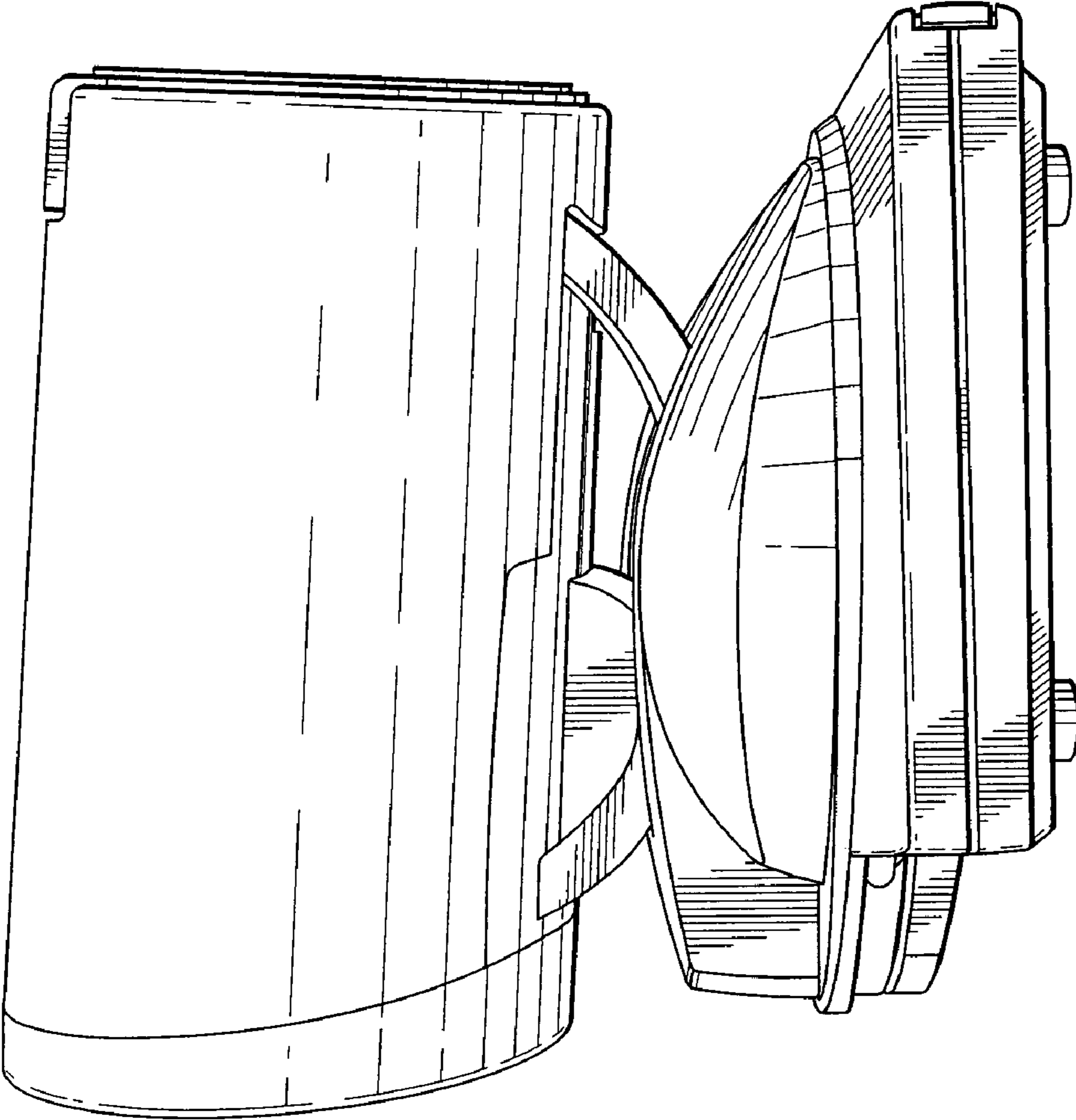
*Fig. 2*



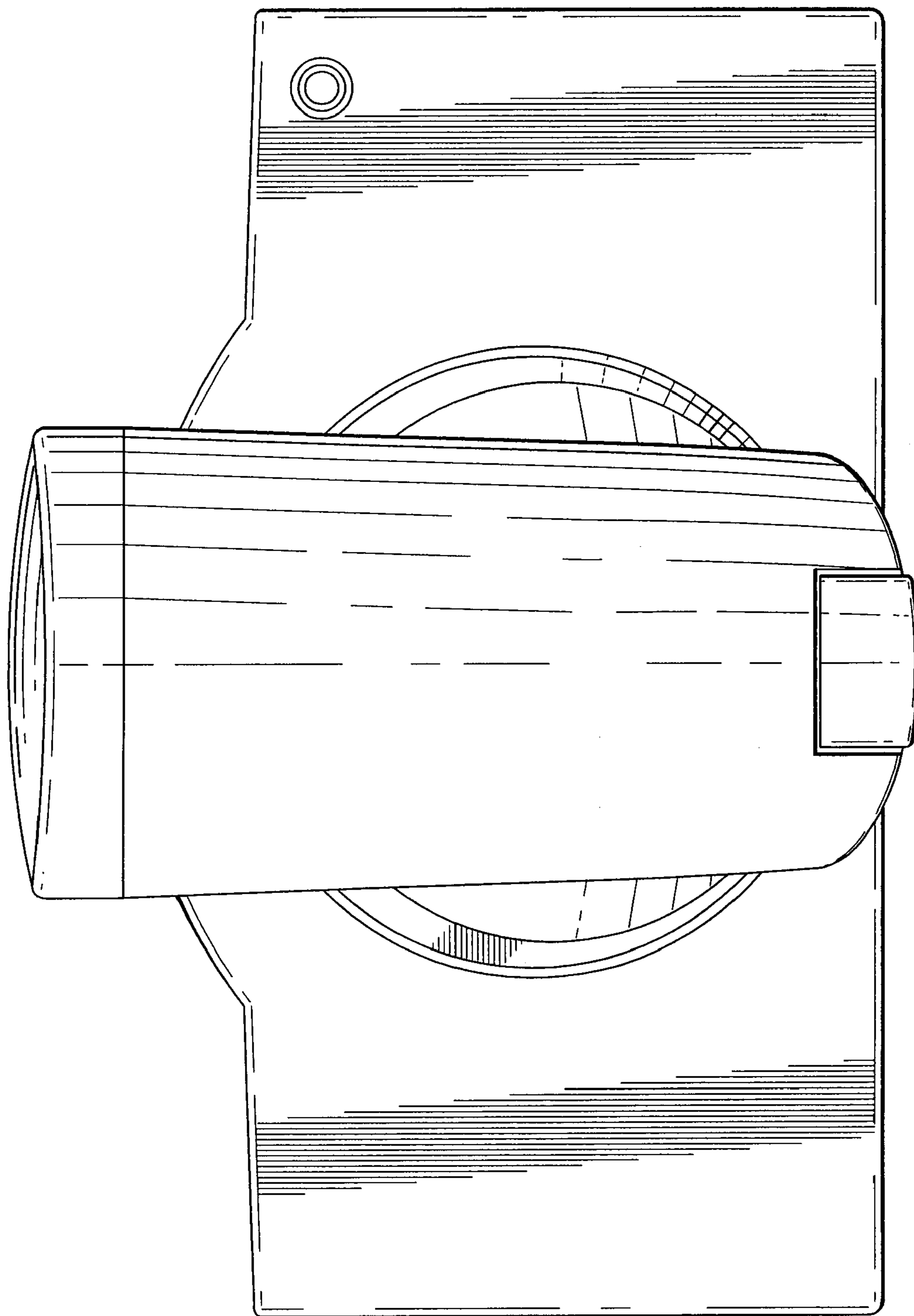
*Fig. 3*



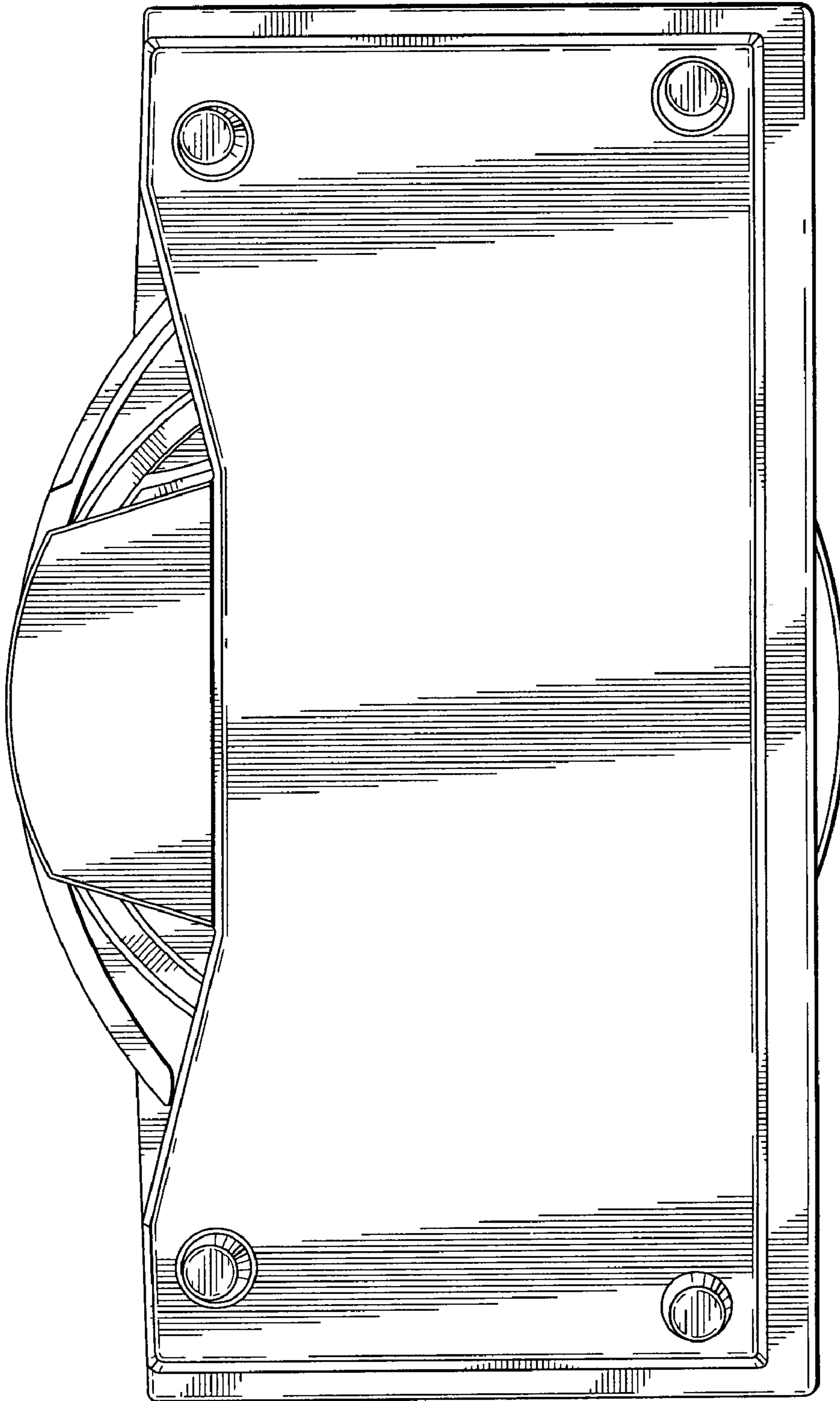
**Fig. 4**



*Fig. 5*



*Fig. 6*



*Fig. 7*